



US00D529617S

(12) **United States Design Patent**
Fontáñez Acevedo

(10) **Patent No.:** **US D529,617 S**
(45) **Date of Patent:** **** Oct. 3, 2006**

(54) **COLD HELMET**
(76) Inventor: **Pedro Javier Fontáñez Acevedo**, P.O.
Box 762, Mayagüez, PR (US)
00681-0762
(**) Term: **14 Years**
(21) Appl. No.: **29/212,076**
(22) Filed: **Aug. 26, 2004**
(51) **LOC (8) Cl.** **24-04**
(52) **U.S. Cl.** **D24/207**
(58) **Field of Classification Search** D24/206–208,
D24/231; 607/88, 91, 109, 110, 112; 606/9;
2/6.1, 6.6, 7, 8, 413, 410; D2/870, 866, 878;
D29/102
See application file for complete search history.

5,469,579 A 11/1995 Tremblay et al.
5,474,533 A 12/1995 Ward et al.
5,542,413 A 8/1996 Horn
5,557,807 A 9/1996 Hujar et al.
5,603,728 A 2/1997 Pachys
5,630,230 A 5/1997 Fujino et al.
5,755,756 A 5/1998 Freedman, Jr. et al.
5,839,121 A 11/1998 Morales
5,897,581 A 4/1999 Fronda et al.
5,950,234 A 9/1999 Leong et al.
5,957,964 A 9/1999 Ceravolo
D420,493 S * 2/2000 Blake D2/866
6,050,099 A 4/2000 Lopa et al.
6,112,333 A 9/2000 Mazzei
6,125,636 A 10/2000 Taylor et al.
6,126,680 A 10/2000 Wass
6,178,562 B1 1/2001 Elkins
6,183,501 B1 2/2001 Latham
6,243,876 B1 6/2001 Provenzano et al.
6,277,143 B1 8/2001 Klatz et al.
6,402,678 B1 6/2002 Fischell et al.
6,487,871 B1 12/2002 Augustine et al.

(56) **References Cited**

U.S. PATENT DOCUMENTS

D225,088 S * 11/1972 East D24/207
3,956,773 A * 5/1976 Chisum 2/6.1
4,019,502 A 4/1977 Elkins
4,138,743 A 2/1979 Elkins et al.
4,250,577 A 2/1981 Smith
4,356,709 A 11/1982 Alexander
D275,334 S * 9/1984 Pullin D29/103
4,551,858 A 11/1985 Pasternack
4,552,149 A 11/1985 Tatsuki
4,641,379 A 2/1987 Martin
4,653,124 A 3/1987 McNeal et al.
4,691,762 A 9/1987 Elkins et al.
4,753,242 A 6/1988 Sagers
4,893,356 A * 1/1990 Waters 2/909
4,921,141 A 5/1990 Branum
4,925,603 A 5/1990 Nambu
5,033,136 A 7/1991 Elkins
5,050,240 A 9/1991 Sayre
5,054,122 A * 10/1991 Sher 2/7
5,197,292 A 3/1993 McPherson
5,327,585 A 7/1994 Karlan
5,342,411 A 8/1994 Maxted et al.
D354,376 S 1/1995 Kun
5,395,400 A 3/1995 Stafford et al.

(Continued)

Primary Examiner—Terry A. Wallace
Assistant Examiner—Melanie Levy
(74) *Attorney, Agent, or Firm*—Hoglund & Pamias,PSC;
Heath W. Hoglund

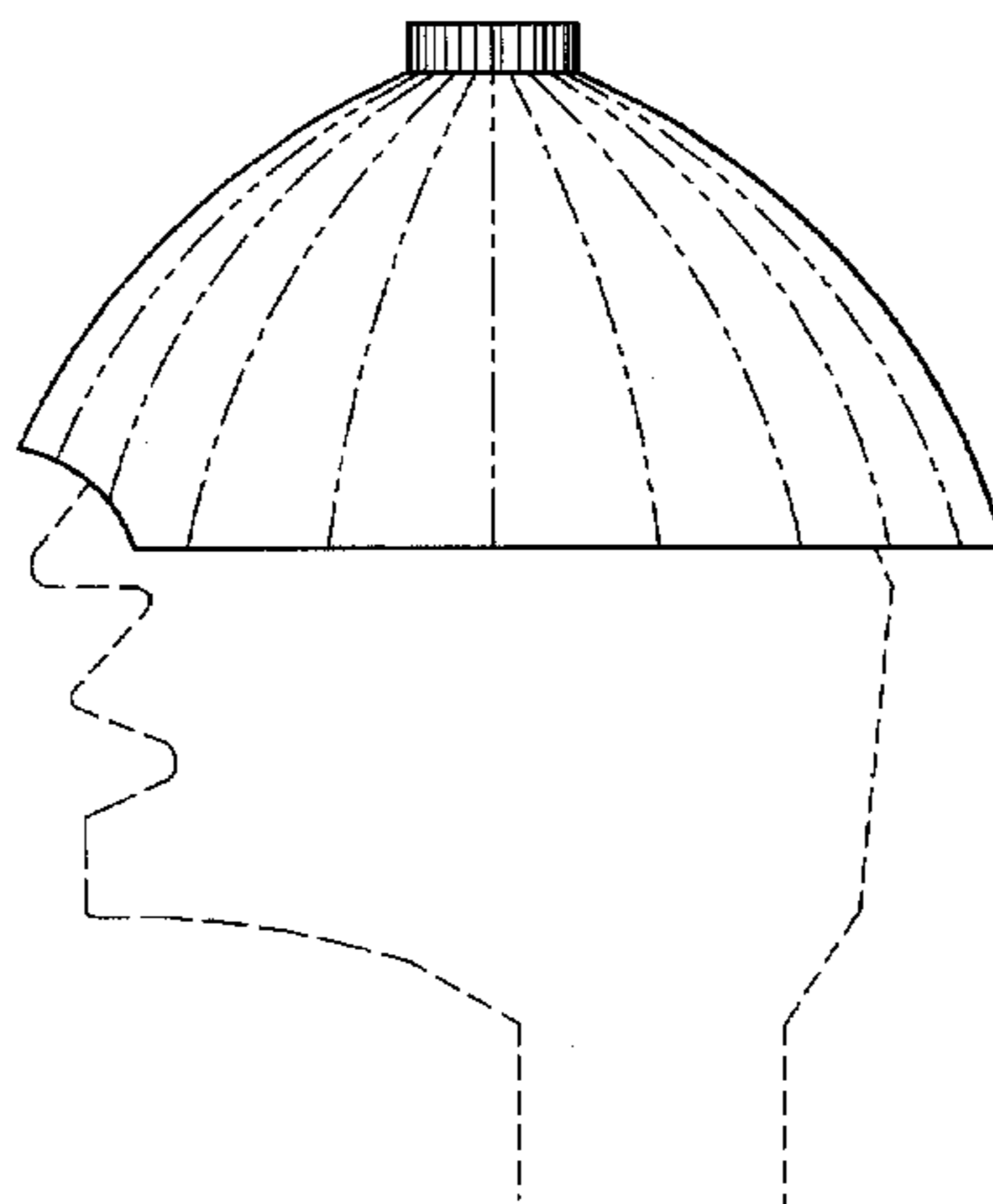
(57) **CLAIM**

The ornamental design for a cold helmet, as shown and described.

DESCRIPTION

FIG. 1 is a side view of a cold helmet showing my new design.
FIG. 2 is a front view of the cold helmet shown in FIG. 1.
FIG. 3 is a back view of the cold helmet shown in FIG. 1;
and,
FIG. 4 is a top view of the cold helmet shown in FIG. 1.
The bottom is unornamented. The broken lines are for illustrative purposes only and form no part of the claimed design.

1 Claim, 4 Drawing Sheets



US D529,617 S

Page 2

U.S. PATENT DOCUMENTS

6,516,624 B1	2/2003	Ichigaya					
D474,577 S	*	5/2003	Rohde	D2/878			
D481,199 S	*	10/2003	Egan	D2/870	* cited by examiner		
					6,681,590 B1	1/2004	Jones et al.
					6,682,552 B1	1/2004	Ramsden et al.

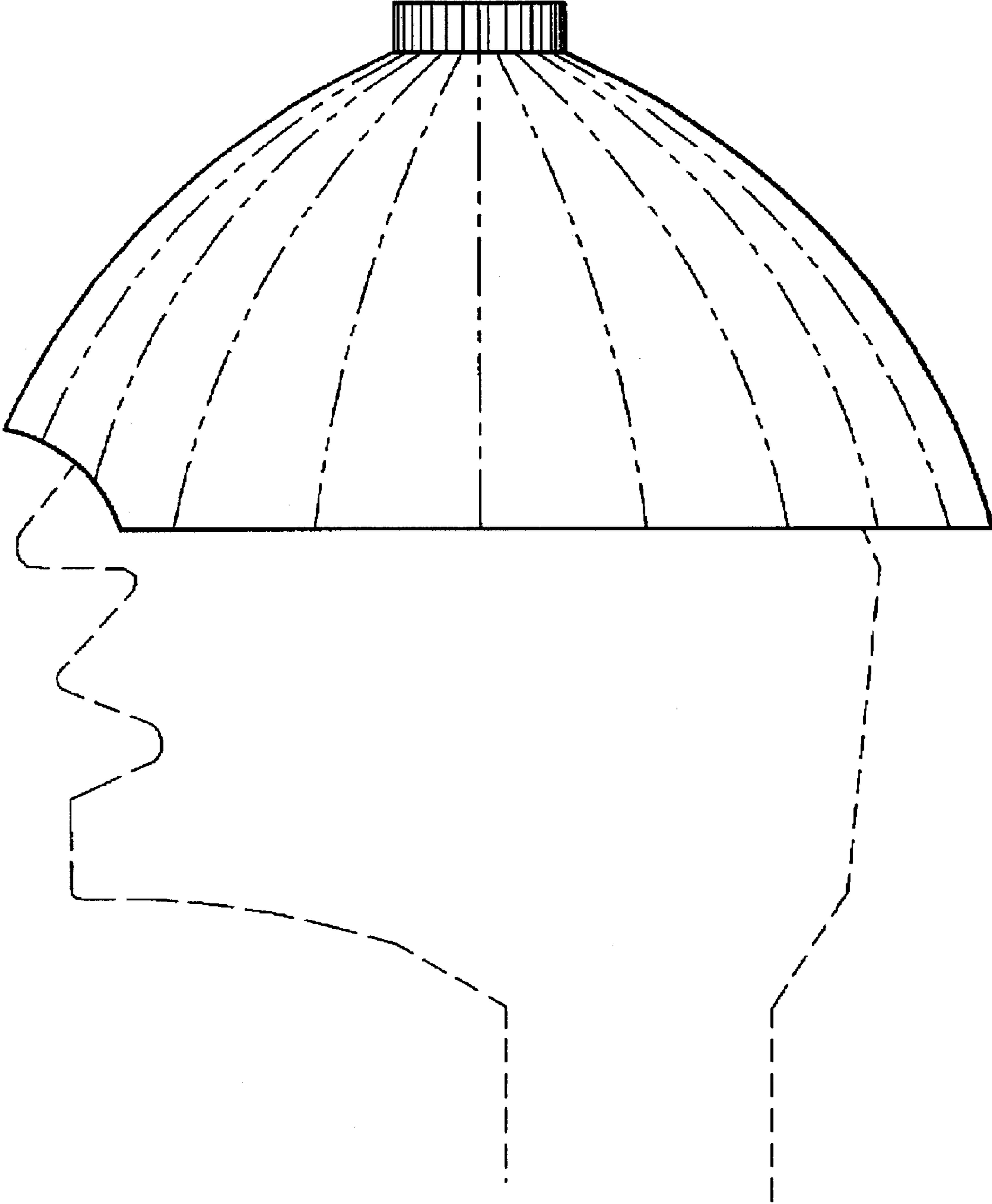


Fig. 1

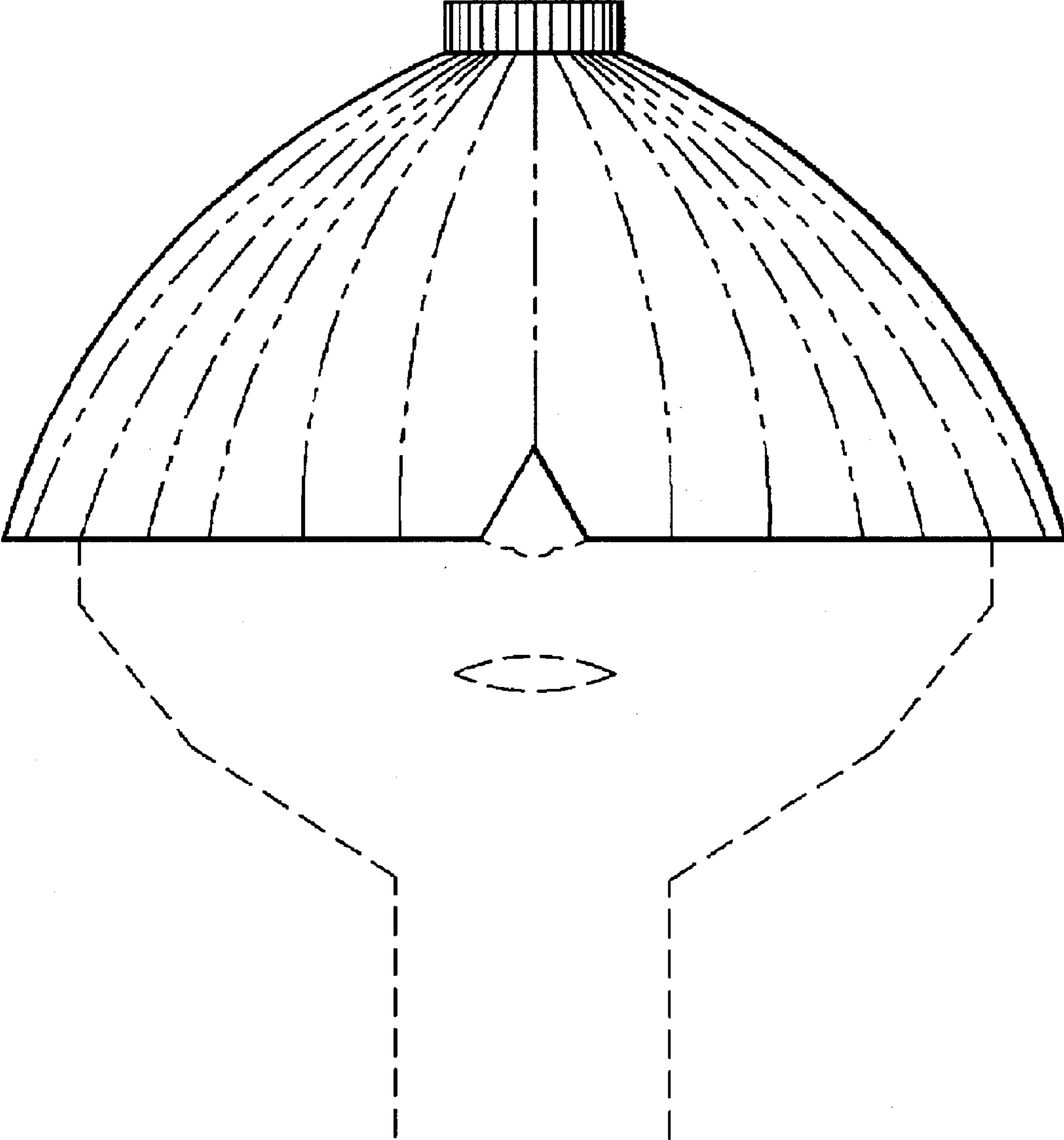


Fig. 2

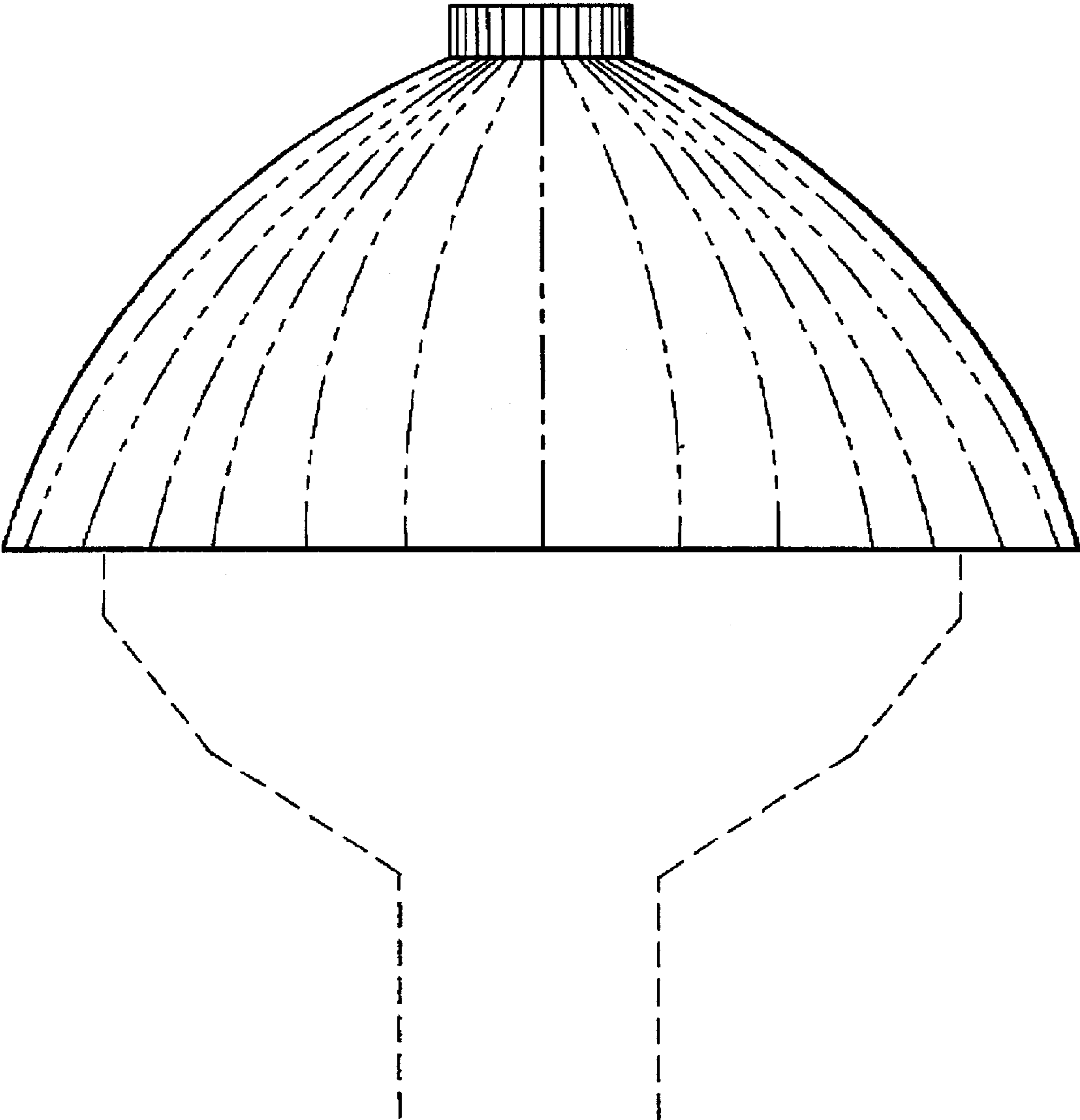


Fig. 3

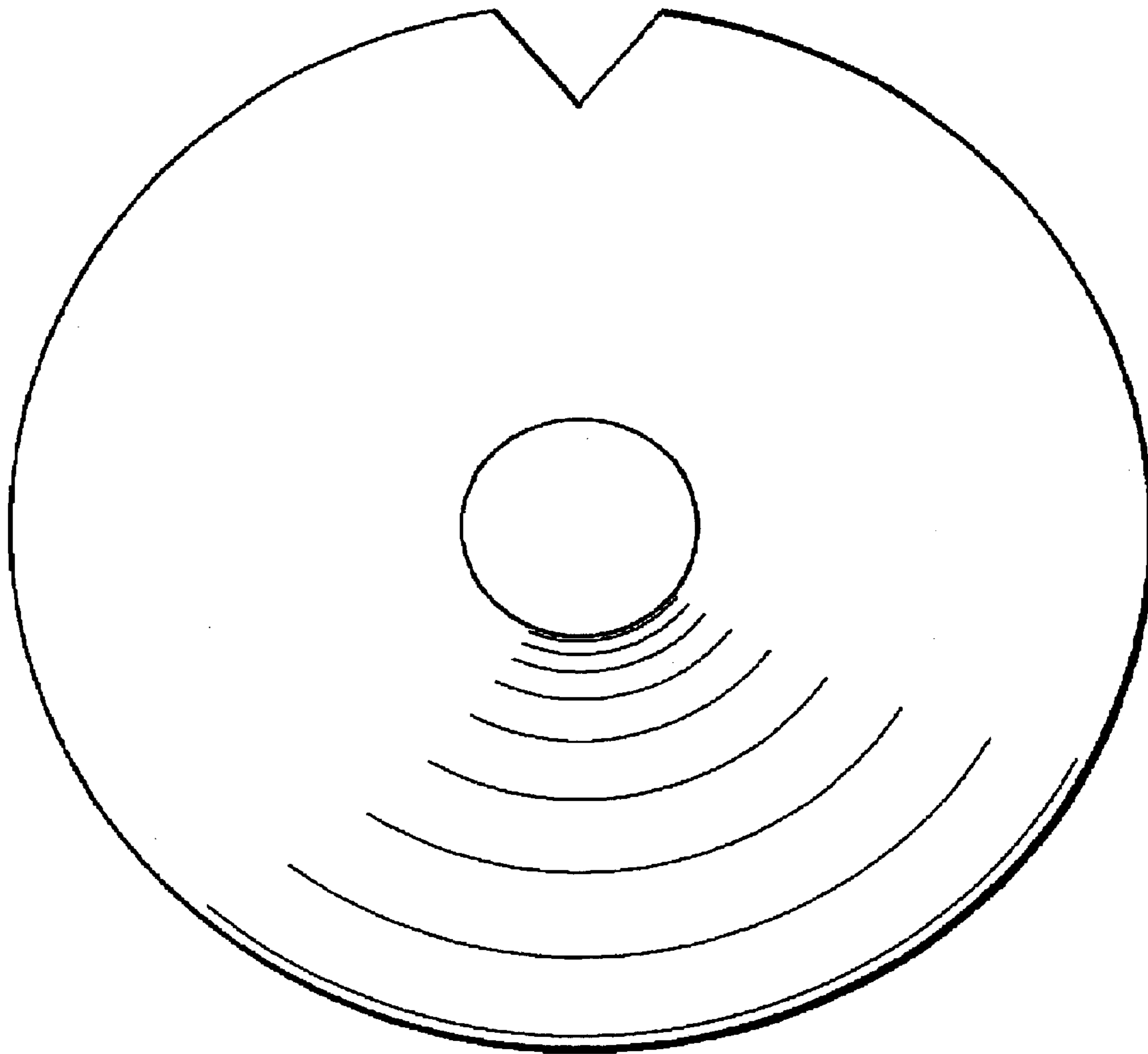


Fig. 4