



US00D529612S

(12) **United States Design Patent**  
**Feeley et al.**

(10) **Patent No.:** **US D529,612 S**  
(45) **Date of Patent:** **\*\* Oct. 3, 2006**

(54) **LISTENING DEVICE**

(75) Inventors: **Jim Feeley**, Bixby, OK (US); **Mike Feeley**, Tulsa, OK (US)

(73) Assignee: **Hear-Wear Technologies, LLC**, Tulsa, OK (US)

(\*\*) Term: **14 Years**

(21) Appl. No.: **29/213,470**

(22) Filed: **Sep. 17, 2004**

(51) **LOC (8) Cl.** ..... **24-99**

(52) **U.S. Cl.** ..... **D24/174**

(58) **Field of Classification Search** ..... D24/174,  
D24/173; 381/312, 322, 315, 328; 181/135  
See application file for complete search history.

(56) **References Cited**

**U.S. PATENT DOCUMENTS**

4,381,830	A	*	5/1983	Jelonek et al.	.....	381/312
5,606,621	A		2/1997	Reiter et al.		
5,610,988	A	*	3/1997	Miyahara	.....	381/312
5,761,319	A	*	6/1998	Dar et al.	.....	381/322
6,648,813	B1		11/2003	Zilberman et al.		
D506,258	S	*	6/2005	Nielsen	.....	D24/174
2004/0010181	A1		1/2004	Feeley et al.		

**OTHER PUBLICATIONS**

ReSound, Technical Specifications, ReSound Corporation, 1999.  
ReSound, Technical Specifications, ReSound Corporation, 1999, 2 ppg.

Pending application No.: 10/238,829 Feeley et al., filed Sep. 9, 2002, Titled "A BTE/CIC Auditory Device and Modular Connector System Therefor".

\* cited by examiner

*Primary Examiner*—Louis S. Zarfes

*Assistant Examiner*—Daniel Yu

(74) *Attorney, Agent, or Firm*—Fulbright & Jaworski LLP

(57) **CLAIM**

The ornamental design for a listening device, as shown and described.

**DESCRIPTION**

FIG. 1 is a perspective view of a listening device showing my new design;

FIG. 2 is a front view thereof;

FIG. 3 is a side view thereof;

FIG. 4 is a top view thereof;

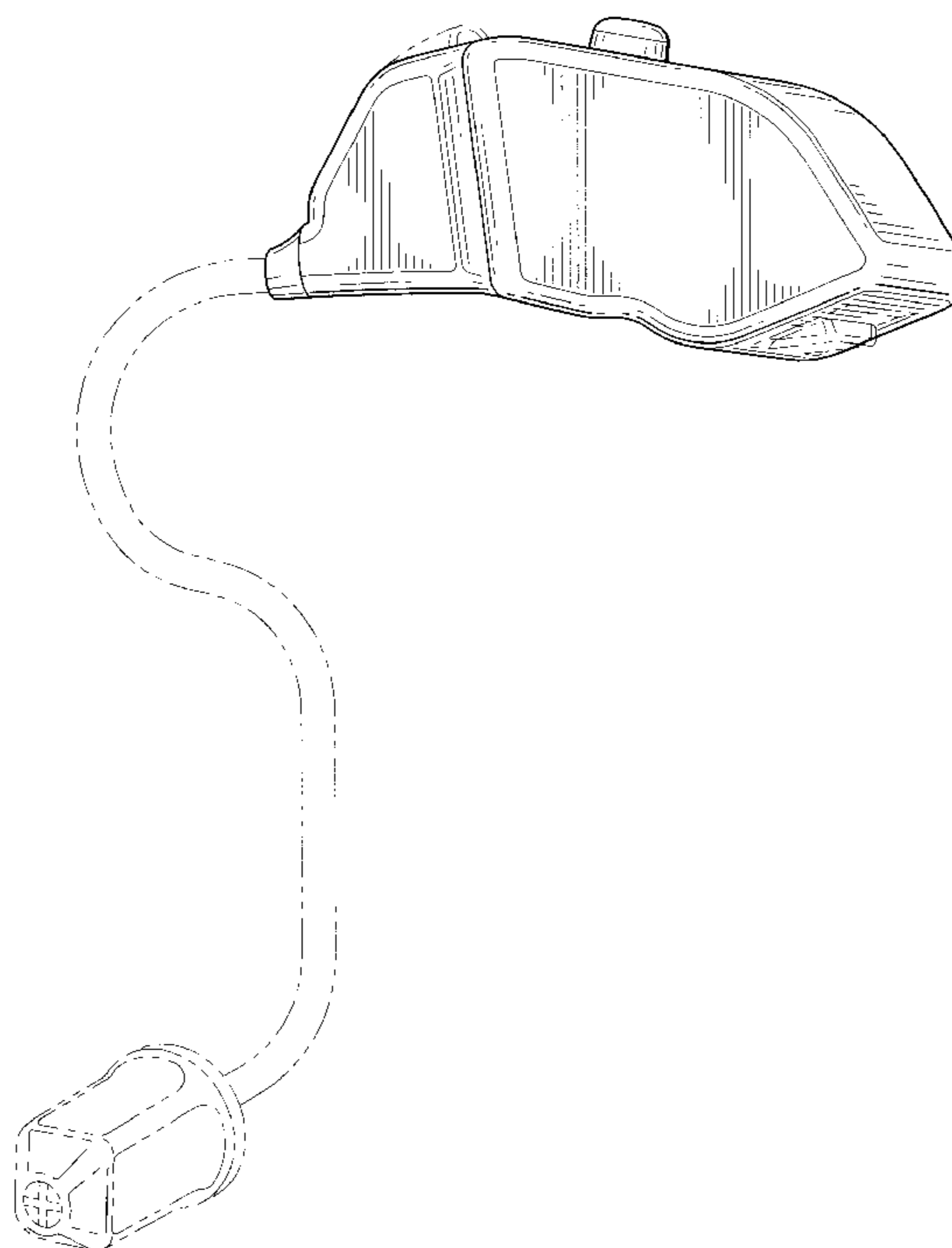
FIG. 5 is a back view thereof;

FIG. 6 is a perspective view thereof; and,

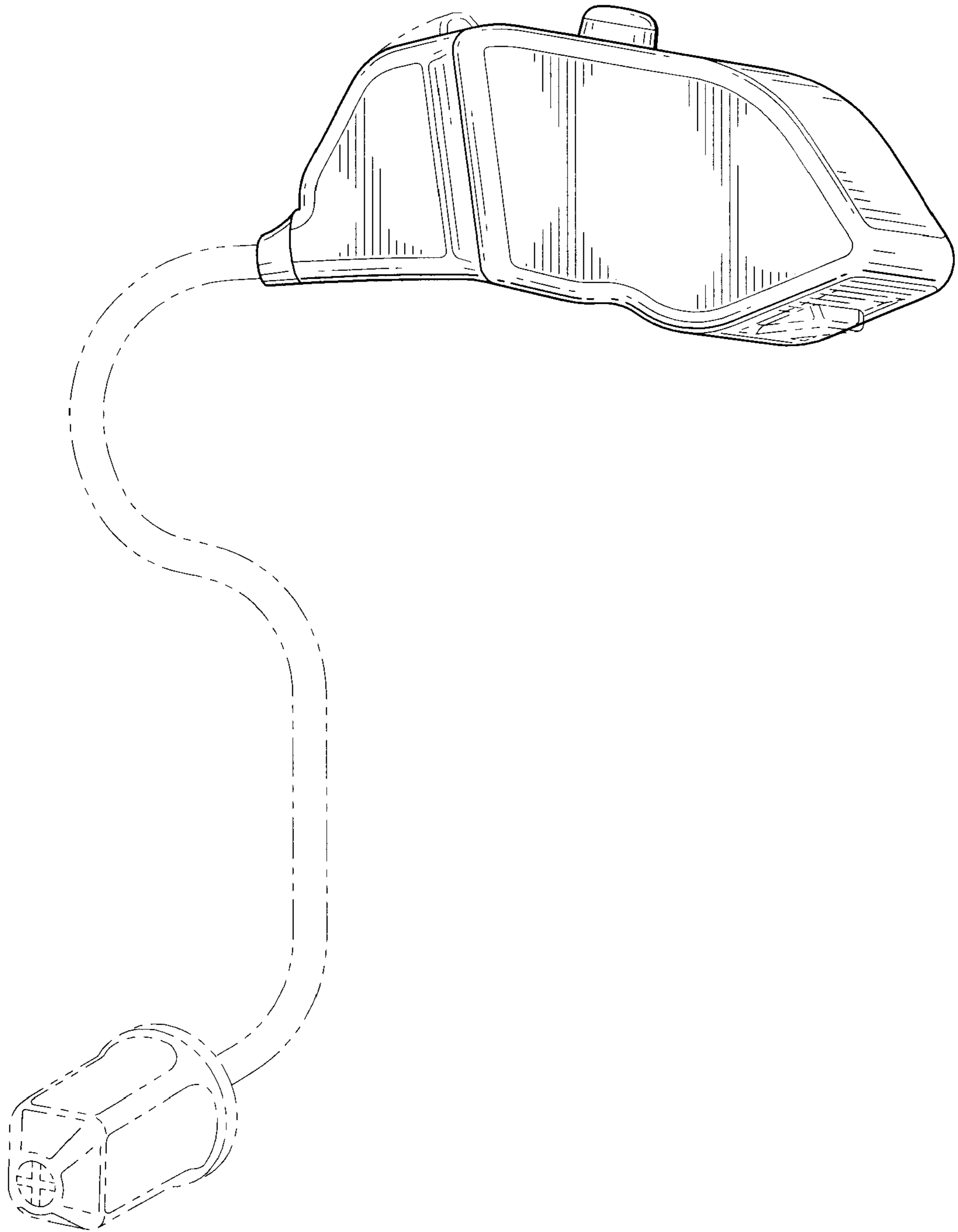
FIG. 7 is a bottom view thereof.

The broken lines are for illustrative purpose only and do not form part of the claimed design.

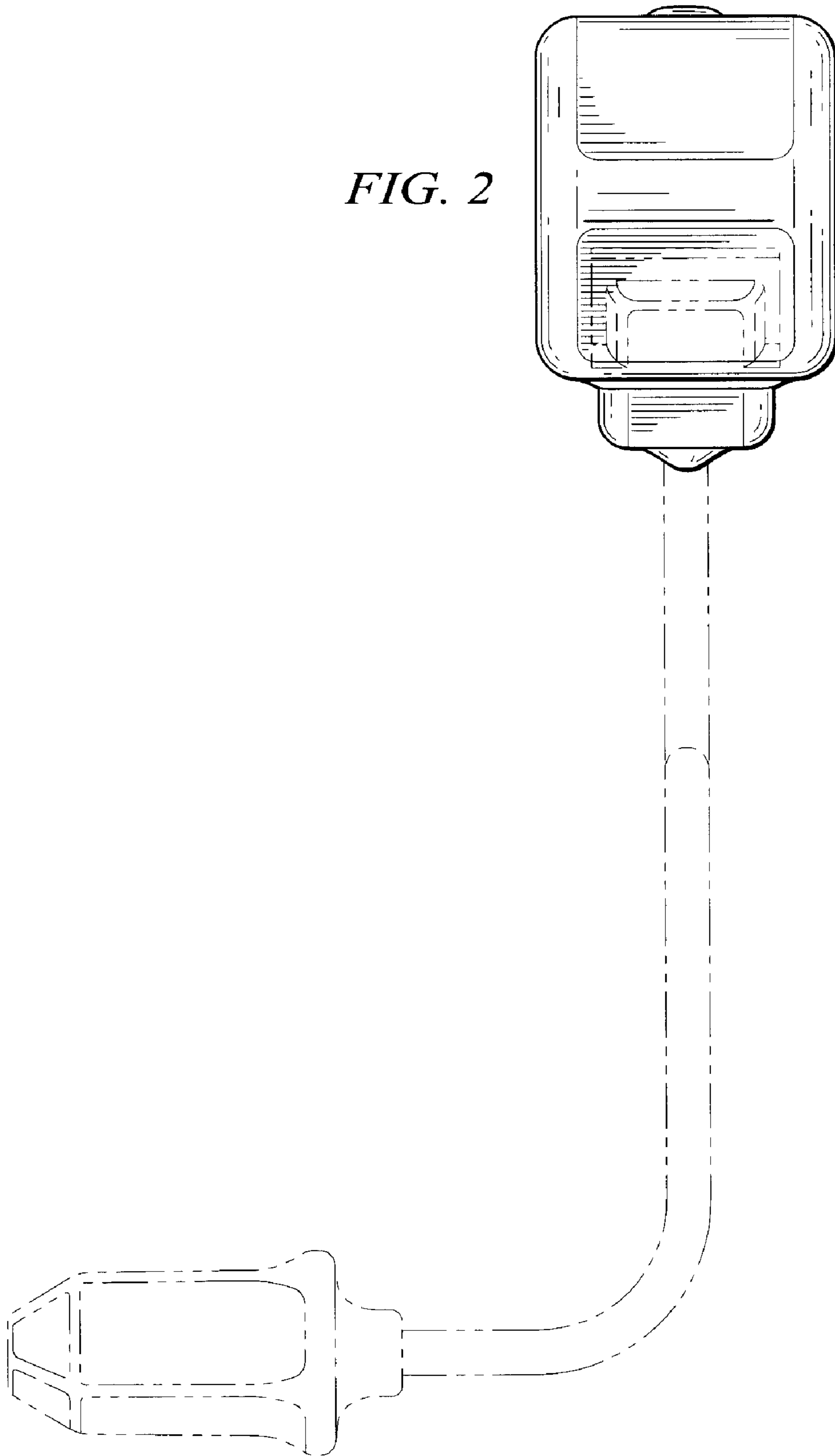
**1 Claim, 7 Drawing Sheets**



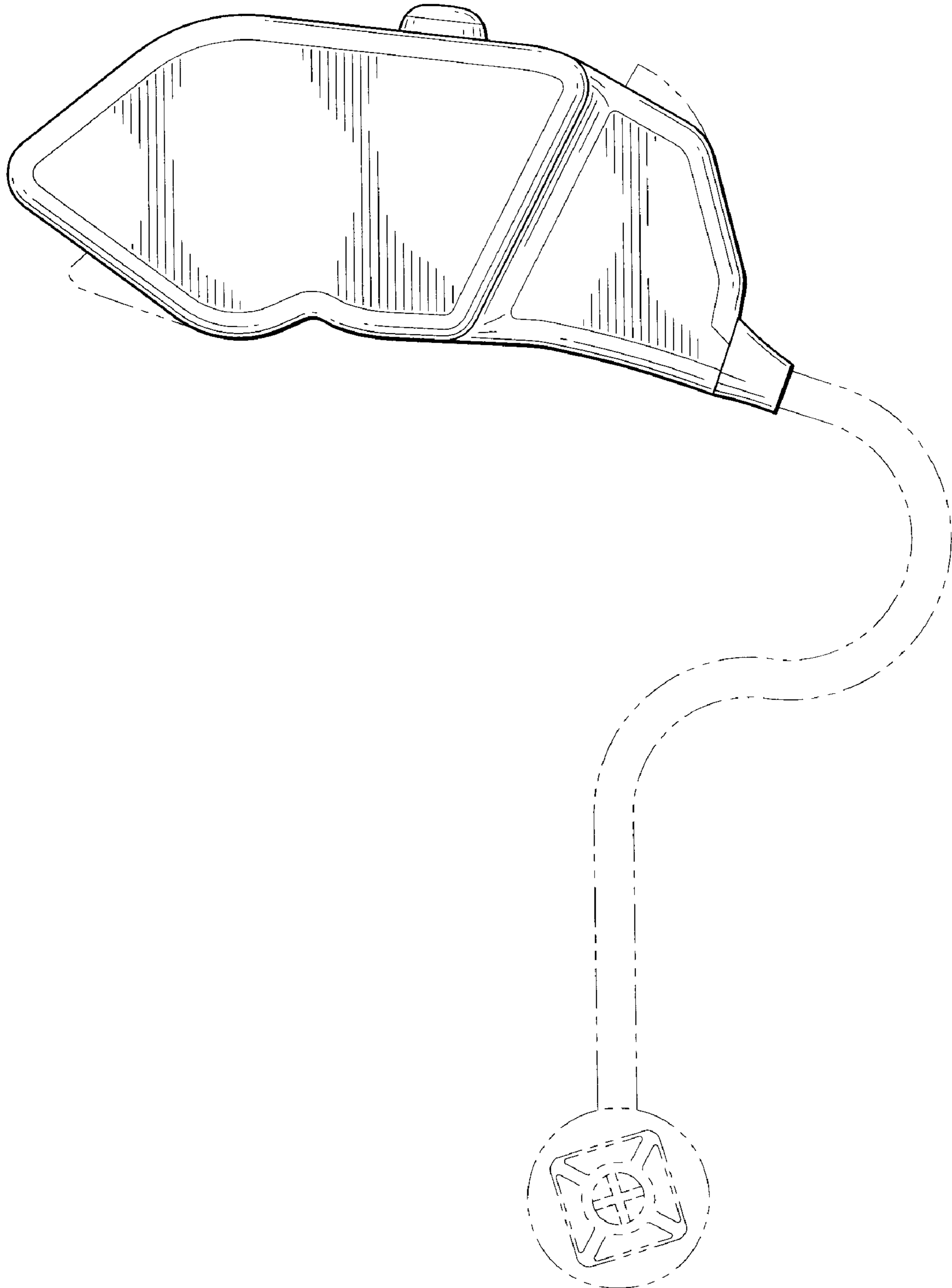
*FIG. 1*



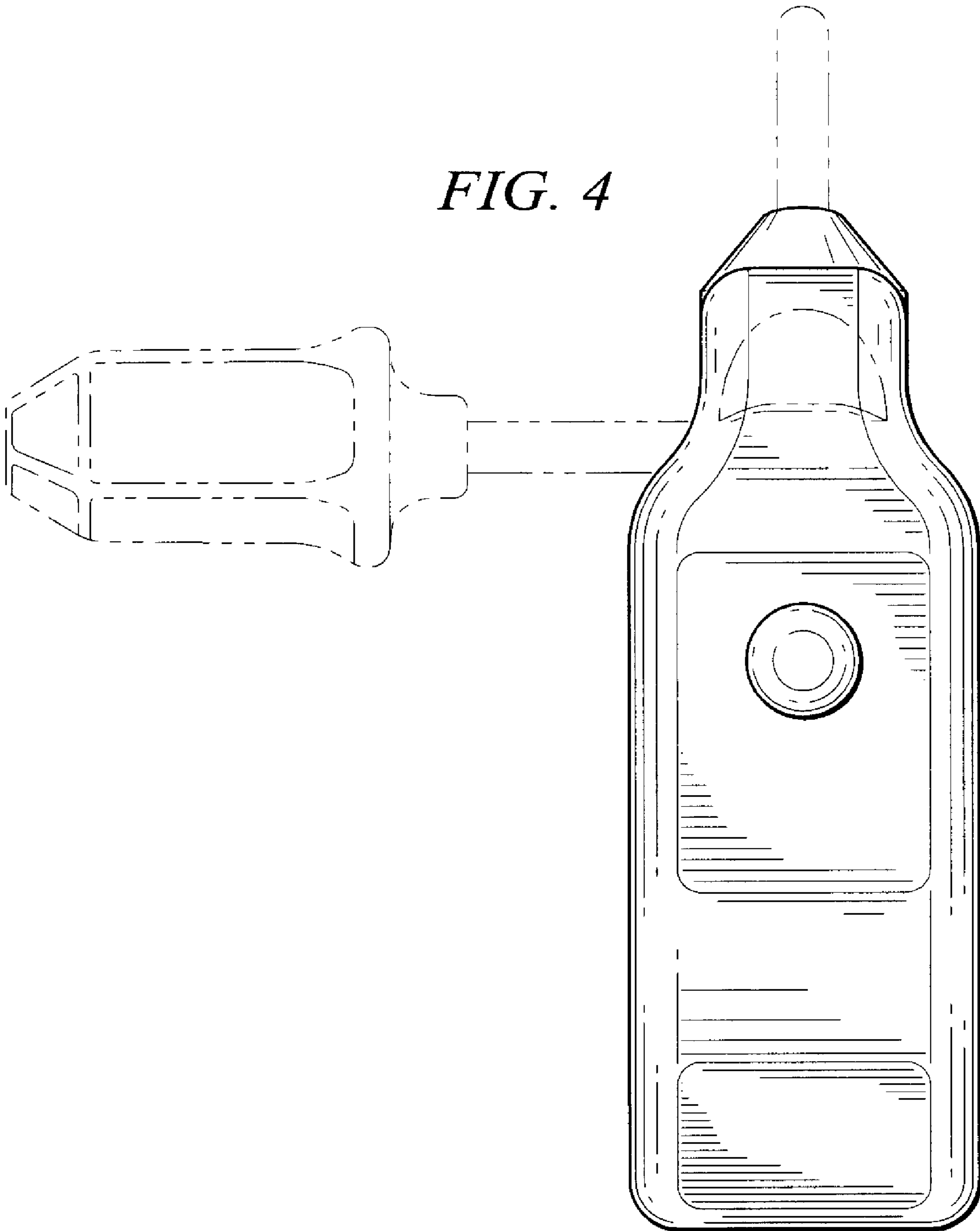
*FIG. 2*



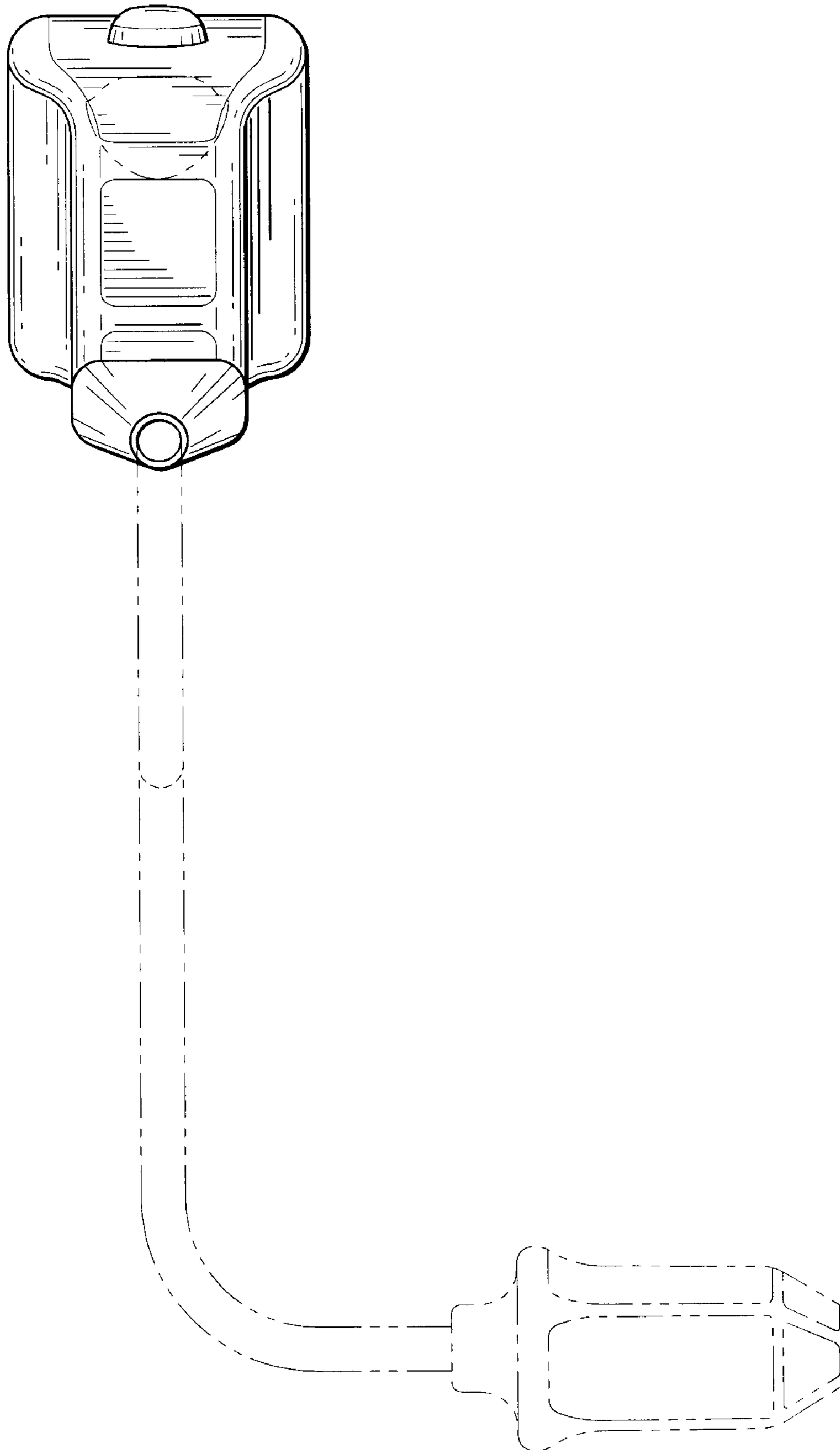
*FIG. 3*



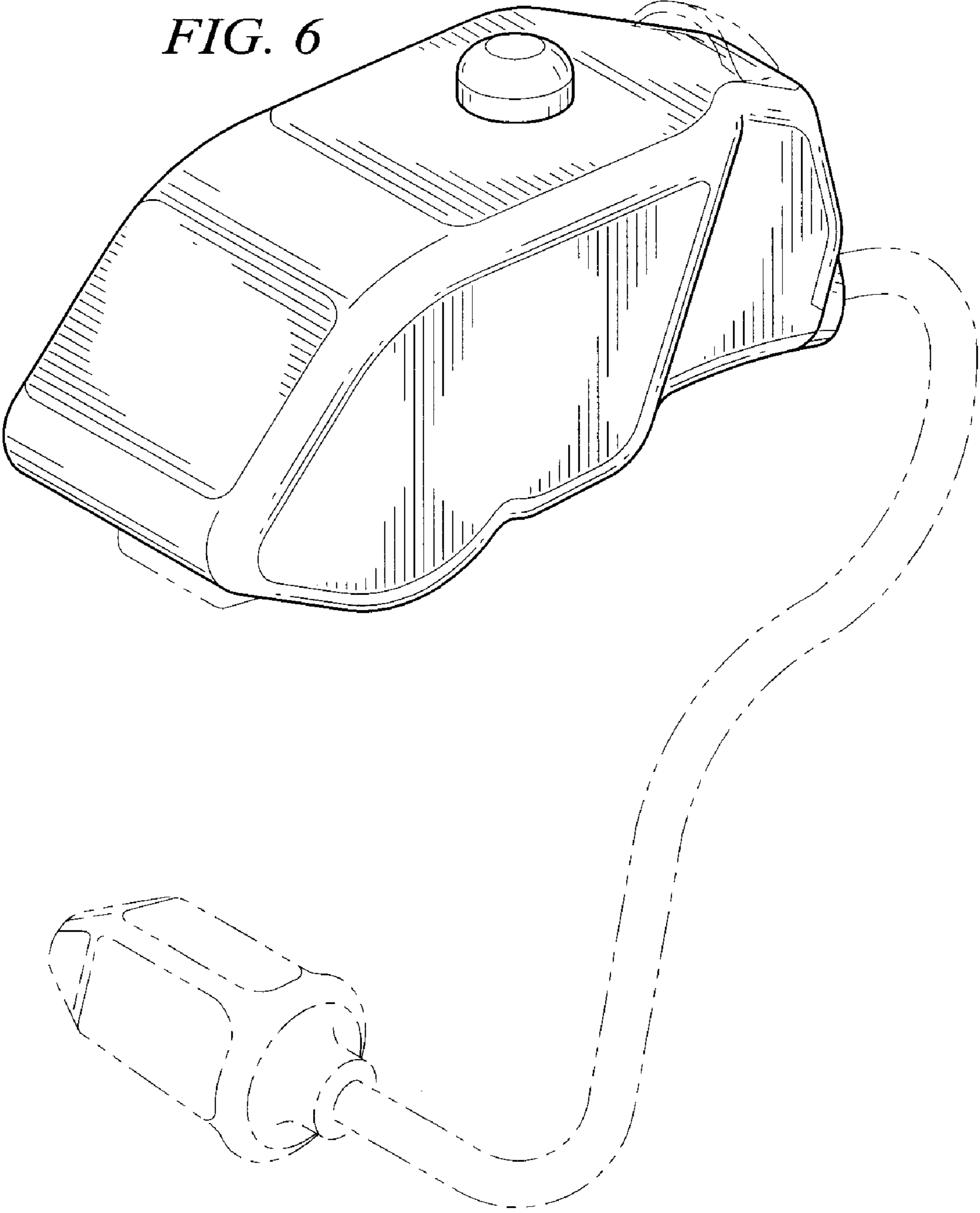
*FIG. 4*



*FIG. 5*



*FIG. 6*



*FIG. 7*

