



US00D529610S

(12) **United States Design Patent**
Ido et al.

(10) **Patent No.:** **US D529,610 S**
(45) **Date of Patent:** **** Oct. 3, 2006**

(54) **PORTION OF FORCEPS FOR MEDICAL ROBOT**

(75) Inventors: **Kenji Ido**, Yokohama (JP); **Kei Tomioka**, Tokyo (JP); **Susumu Ogiwara**, Kumagaya (JP); **Makoto Jinno**, Tokyo (JP); **Takamitsu Sunaoshi**, Kawasaki (JP)

(73) Assignee: **Kabushiki Kaisha Toshiba** (JP)

(**) Term: **14 Years**

(21) Appl. No.: **29/210,711**

(22) Filed: **Aug. 5, 2004**

(30) **Foreign Application Priority Data**

Mar. 30, 2004 (JP) 2004-009564

(51) **LOC (8) Cl.** **24-02**

(52) **U.S. Cl.** **D24/143**

(58) **Field of Classification Search** D24/143-146,
D24/133, 108, 111, 107; D14/218; D8/68;
606/208, 170, 48; 600/130, 131, 564; 700/245;
604/34

See application file for complete search history.

(56) **References Cited**

U.S. PATENT DOCUMENTS

D352,780 S * 11/1994 Glaeser et al. D24/133

FOREIGN PATENT DOCUMENTS

JP 1170027 4/2003
JP 1170874 4/2003
JP 1170875 4/2003

* cited by examiner

Primary Examiner—Antoine D. Davis

Assistant Examiner—Christopher Lee

(74) *Attorney, Agent, or Firm*—Banner & Witcoff, Ltd.

(57) **CLAIM**

The ornamental design for a portion of forceps for medical robot, as shown and described.

DESCRIPTION

FIG. 1 is a front, top and right side perspective view of a portion of forceps for medical robot, showing our new design;

FIG. 2 is a front elevational view thereof; a rear elevational view being a mirror image thereof;

FIG. 3 is a top plan view thereof;

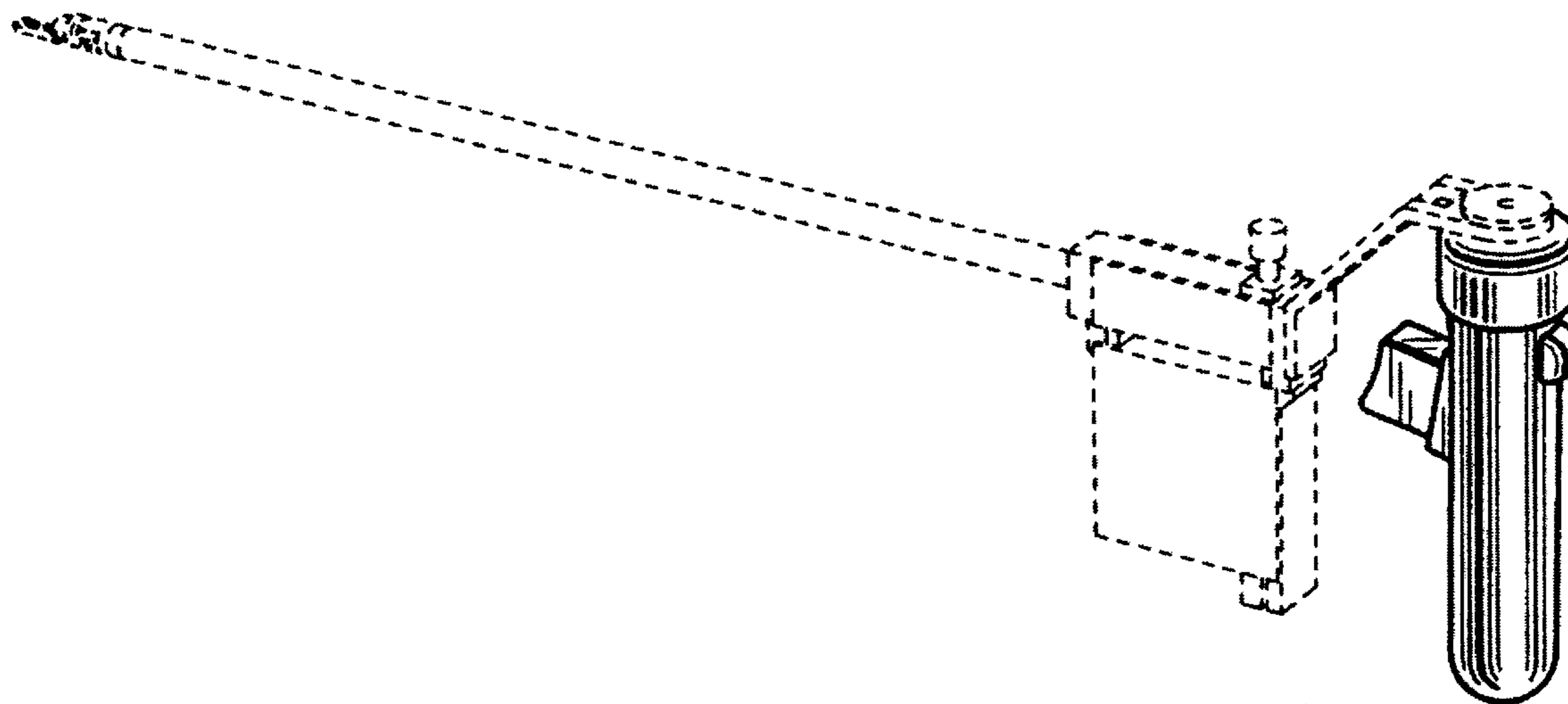
FIG. 4 is a bottom plan view thereof;

FIG. 5 is a left side elevational view thereof; and,

FIG. 6 is a right side elevational view thereof.

The broken line portion is for illustrative purposes only and forms no part of the claimed design.

1 Claim, 4 Drawing Sheets



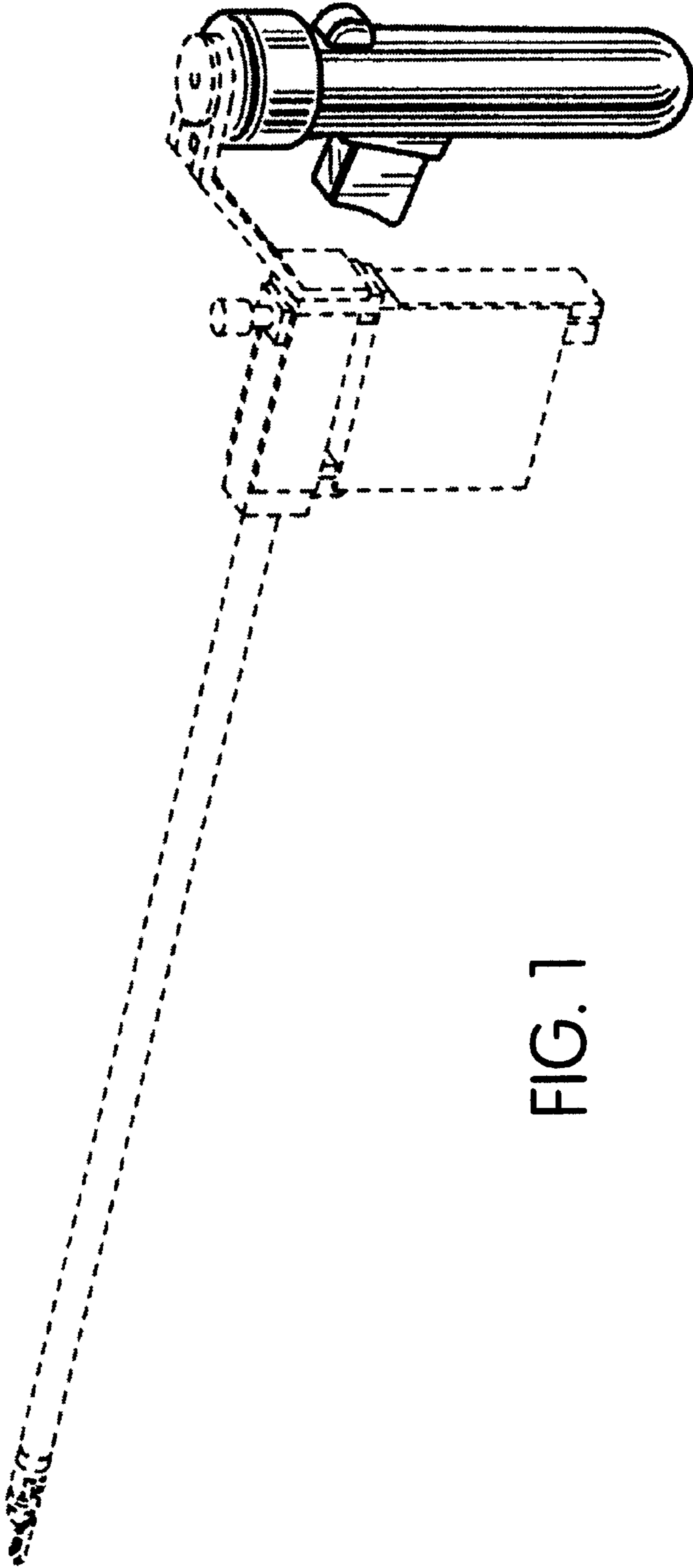


FIG. 1

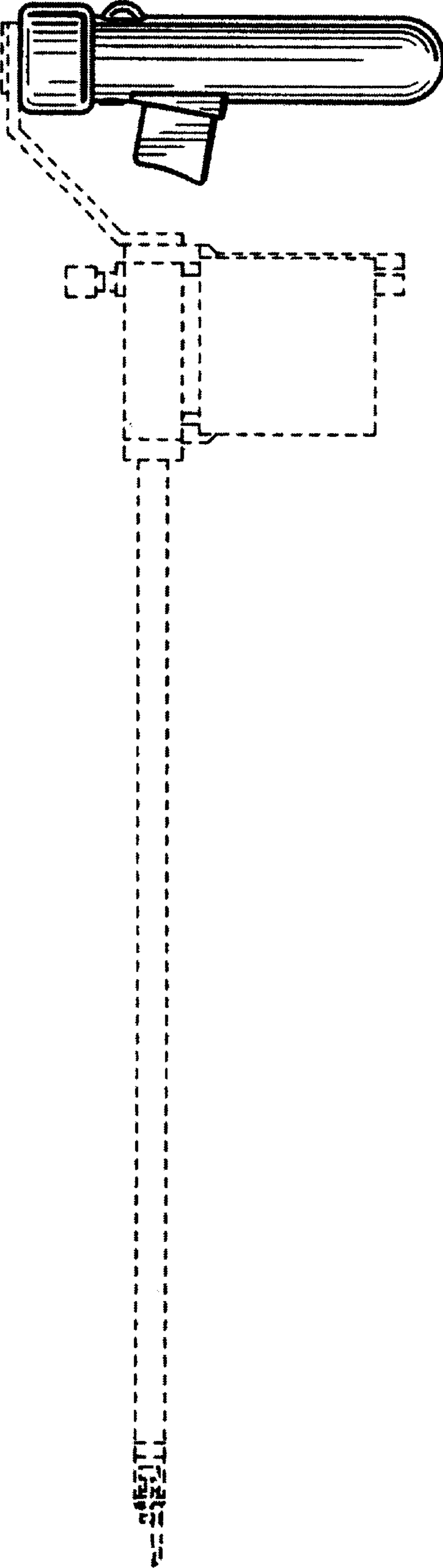


FIG. 2

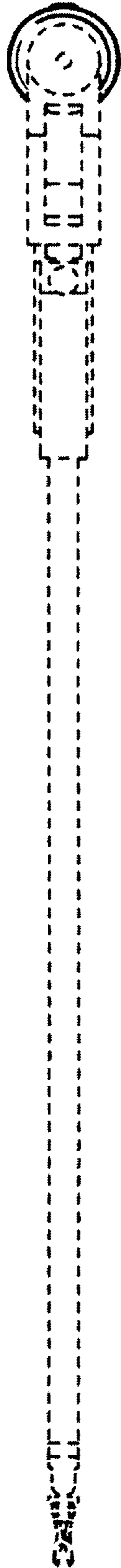


FIG. 3

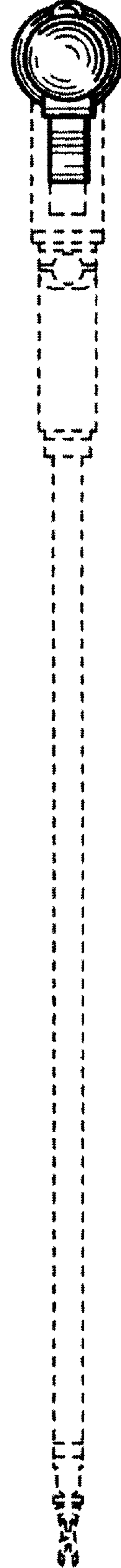


FIG. 4

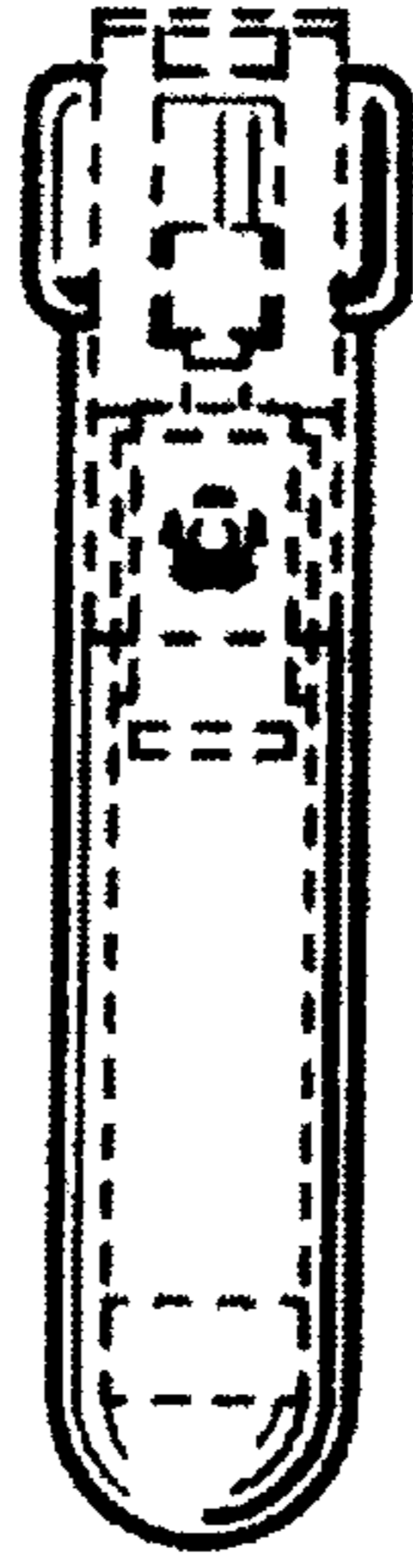


FIG. 5

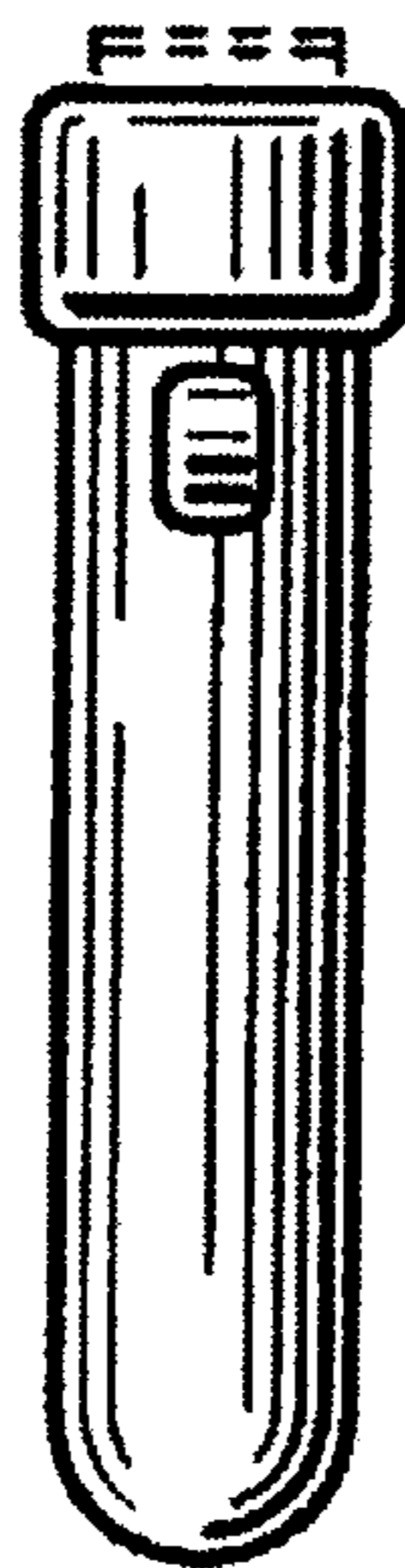


FIG. 6