

US00D529609S

(12) **United States Design Patent**
Ido et al.

(10) **Patent No.:** **US D529,609 S**

(45) **Date of Patent:** **** Oct. 3, 2006**

(54) **FORCEPS FOR MEDICAL ROBOT**

6,889,116 B1 * 5/2005 Jinno 700/245
6,994,716 B1 * 2/2006 Jinno et al. 606/170

(75) Inventors: **Kenji Ido**, Yokohama (JP); **Kei Tomioka**, Tokyo (JP); **Susumu Ogiwara**, Kumagaya (JP); **Makoto Jinno**, Tokyo (JP); **Takamitsu Sunaoshi**, Kawasaki (JP)

FOREIGN PATENT DOCUMENTS

JP 1170027 4/2003
JP 1170874 4/2003
JP 1170875 4/2003

(73) Assignee: **Kabushiki Kaisha Toshiba** (JP)

* cited by examiner

(**) Term: **14 Years**

Primary Examiner—Antoine D. Davis

Assistant Examiner—Christopher Lee

(21) Appl. No.: **29/210,706**

(74) *Attorney, Agent, or Firm*—Banner & Wittcoff, Ltd.

(22) Filed: **Aug. 5, 2004**

(57) **CLAIM**

(30) **Foreign Application Priority Data**

The ornamental design for a forceps for medical robot, as shown and described.

Mar. 30, 2004 (JP) 2004-009563

DESCRIPTION

(51) **LOC (8) Cl.** **24-02**

(52) **U.S. Cl.** **D24/143**

(58) **Field of Classification Search** D24/143–146,
D24/133, 108, 111; D14/218; 606/208, 170,
606/48; 600/130, 564; 700/245; 604/34
See application file for complete search history.

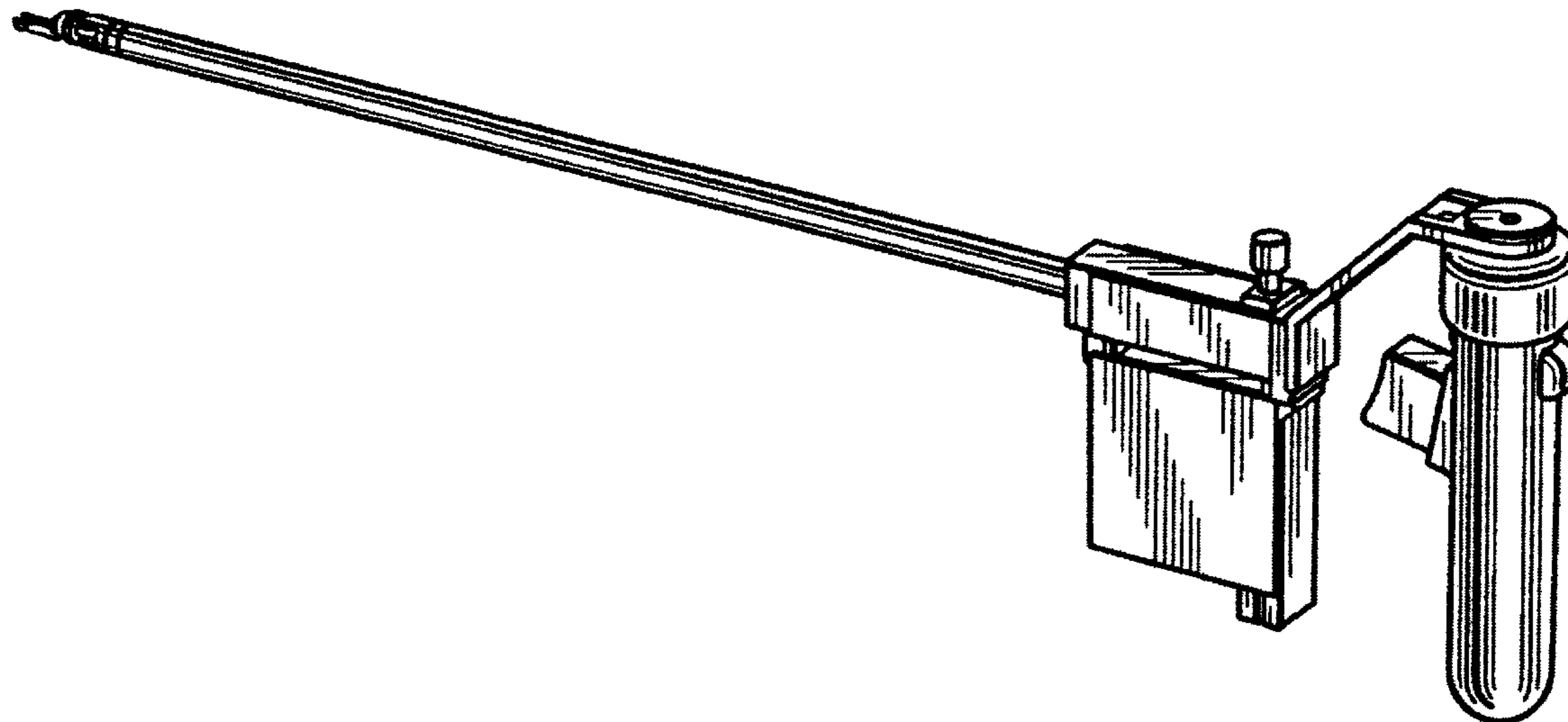
FIG. 1 is a front, top and right side perspective view of a forceps for medical robot, showing our new design; FIG. 2 is a front elevational view thereof; a rear elevational view being a mirror image thereof; FIG. 3 is a top plan view thereof; FIG. 4 is a bottom plan view thereof; FIG. 5 is a left side elevational view thereof; and, FIG. 6 is a right side elevational view thereof.

(56) **References Cited**

U.S. PATENT DOCUMENTS

6,853,879 B1 * 2/2005 Sunaoshi 700/253

1 Claim, 4 Drawing Sheets



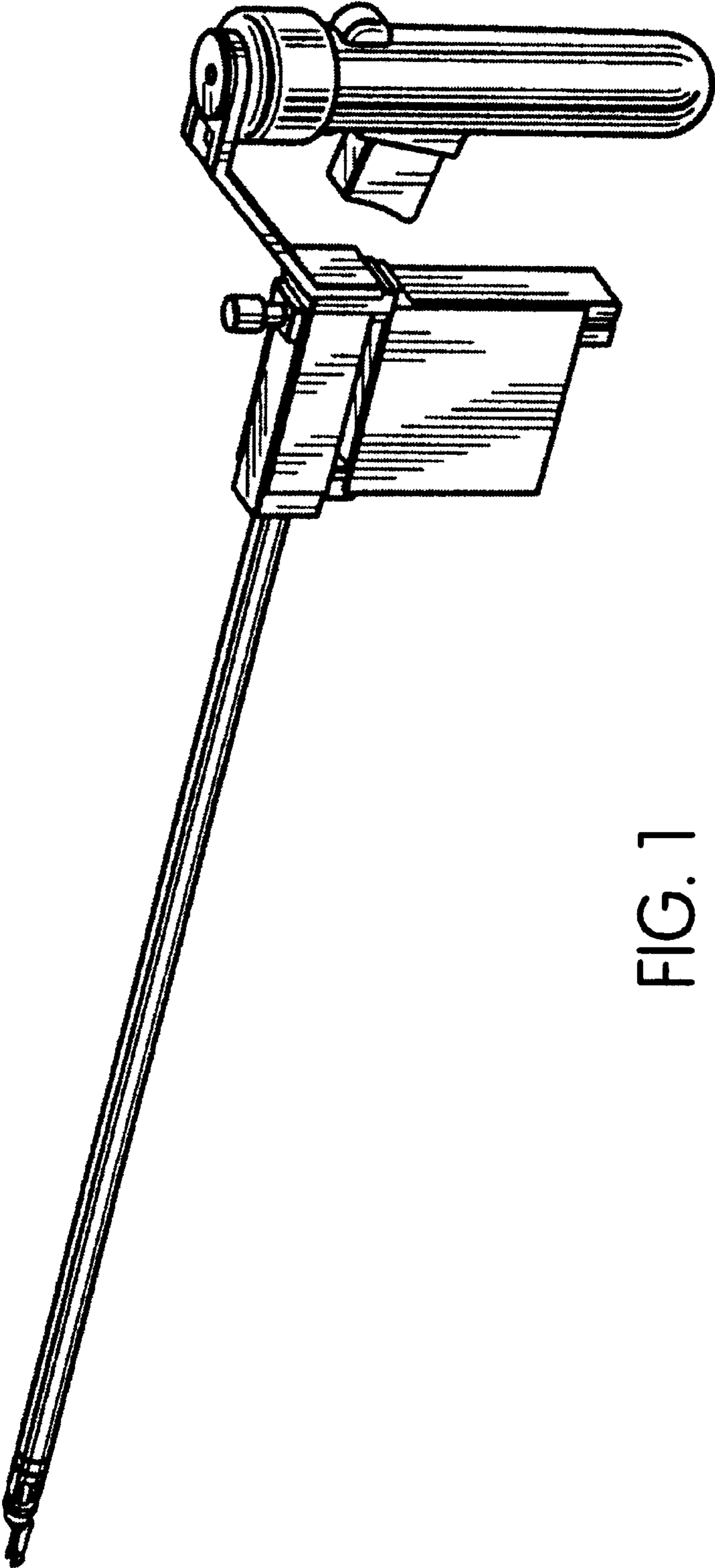


FIG. 1

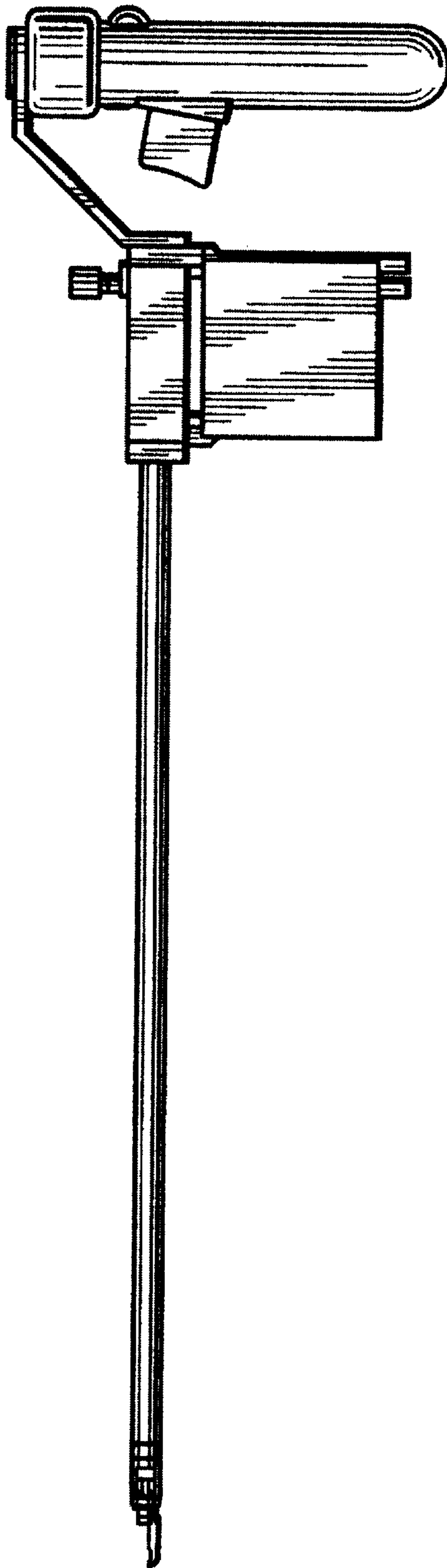


FIG. 2

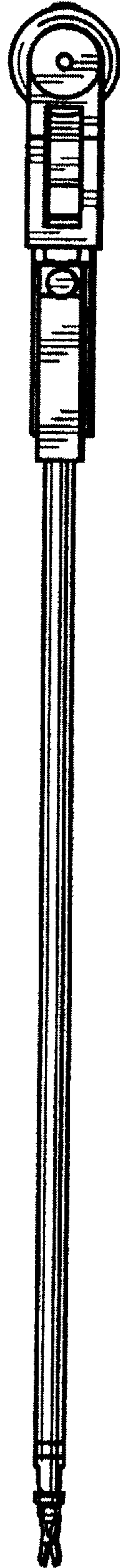


FIG. 3

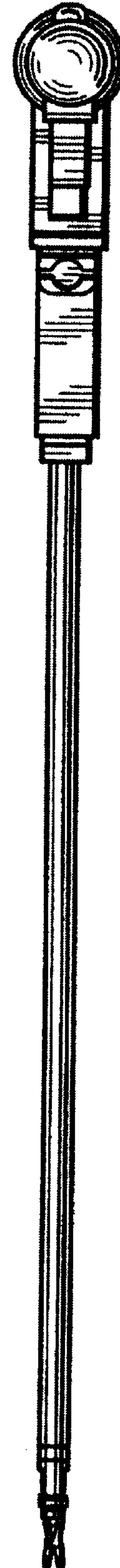


FIG. 4

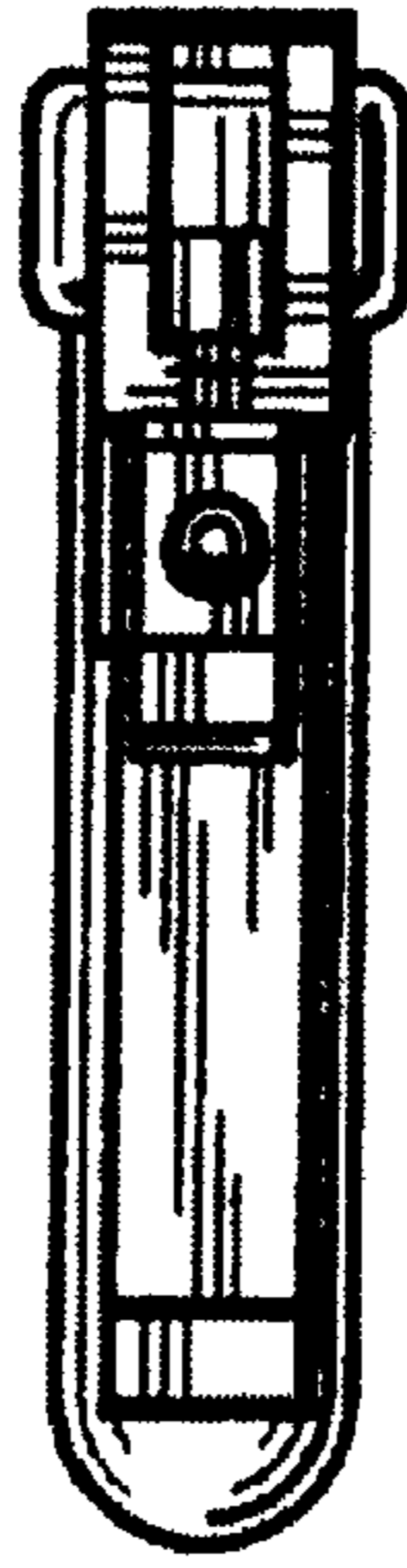


FIG. 5

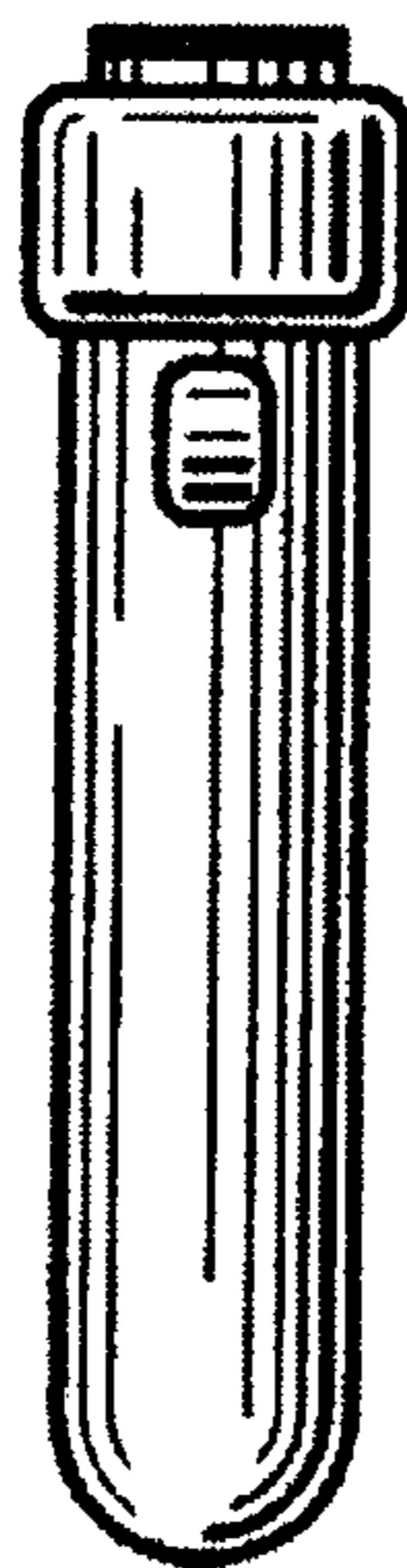


FIG. 6