



US00D529605S

(12) **United States Design Patent**  
**Huxham et al.**

(10) **Patent No.:** **US D529,605 S**

(45) **Date of Patent:** **\*\* \*Oct. 3, 2006**

(54) **INHALATION DEVICE**

(75) Inventors: **Laurence Huxham**, Loughborough (GB); **Darren Hodson**, Loughborough (GB); **William Treneman**, Dry Drayton (GB); **Nick Harrison**, Oakington (GB); **Martin Bunce**, Marlborough (GB); **William Davis**, Marlborough (GB)

(73) Assignee: **AstraZeneca AB**, Sodertalje (SE)

(\*) Notice: This patent is subject to a terminal disclaimer.

(\*\*) Term: **14 Years**

(21) Appl. No.: **29/220,195**

(22) Filed: **Dec. 28, 2004**

(30) **Foreign Application Priority Data**

Jul. 6, 2004 (SE) ..... 04-0503

(51) **LOC (8) Cl.** ..... **29-02**

(52) **U.S. Cl.** ..... **D24/110**

(58) **Field of Classification Search** ..... D24/110;  
128/200.23, 200.22, 203.15, 200.14, 203.12,  
128/200.21, 205.23; 235/117 R, 116  
See application file for complete search history.

(56) **References Cited**

**U.S. PATENT DOCUMENTS**

5,899,200 A \* 5/1999 McNary ..... 128/200.14  
6,155,251 A \* 12/2000 Hauser ..... 128/200.14

6,234,168 B1 \* 5/2001 Bruna ..... 128/200.23  
6,283,365 B1 \* 9/2001 Bason ..... 235/117 R  
D473,640 S \* 4/2003 Cuffaro et al. .... D24/110  
D480,474 S \* 10/2003 Bowman et al. .... D24/110  
6,672,304 B1 \* 1/2004 Casper et al. .... 128/200.23  
6,718,972 B1 \* 4/2004 O'Leary ..... 128/203.15  
6,752,145 B1 \* 6/2004 Bonney et al. .... 128/200.23  
2004/0226555 A1 \* 11/2004 Scarrott et al. .... 128/200.23

\* cited by examiner

*Primary Examiner*—Ian Simmons

*Assistant Examiner*—Christopher Lee

(74) *Attorney, Agent, or Firm*—Fish & Richardson P.C.

(57) **CLAIM**

The ornamental design for an inhalation device, as shown and described.

**DESCRIPTION**

FIG. 1 is a front perspective view from above and one side of an inhalation device showing our new design.

FIG. 2 is a front perspective view from above and one side of the inhalation device shown in FIG. 1, showing the inhalation with its cap removed.

FIG. 3 is a front elevational view thereof.

FIG. 4 is a rear elevational view thereof.

FIG. 5 is a top plan view thereof.

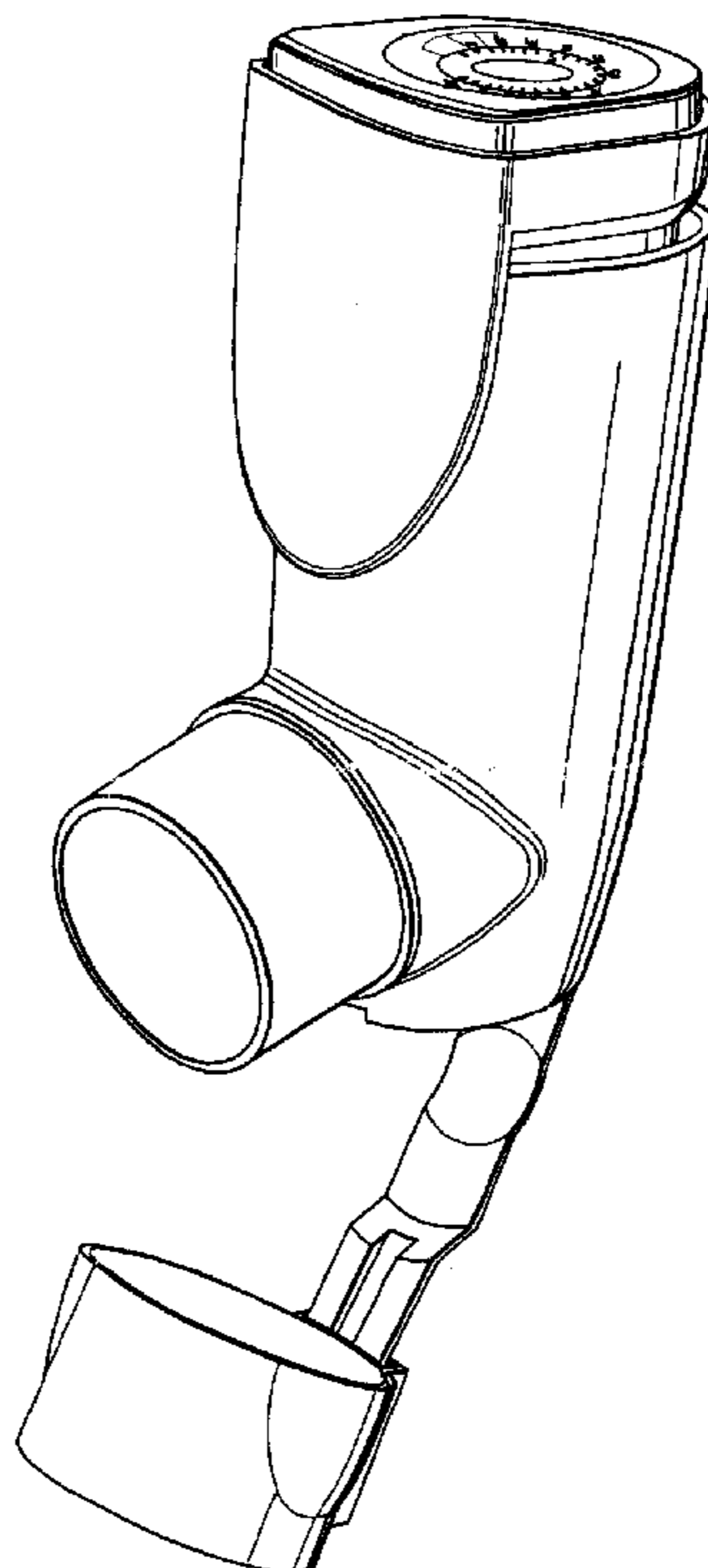
FIG. 6 is a bottom plan view thereof.

FIG. 7 is a right side elevational view thereof.

FIG. 8 is a left side elevational view thereof; and,

FIG. 9 is a partial enlarged top plan view thereof.

**1 Claim, 4 Drawing Sheets**



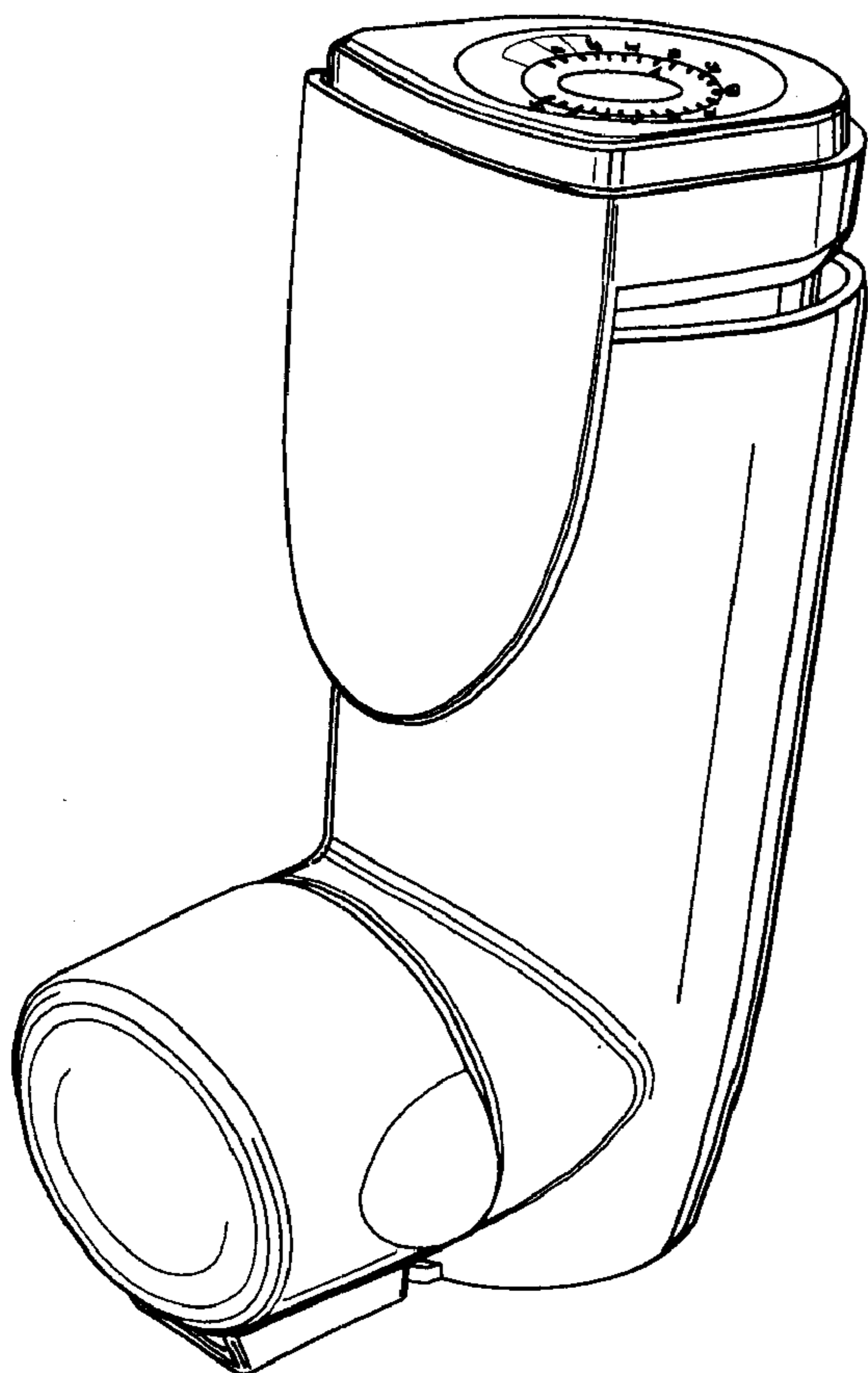


FIG. 1

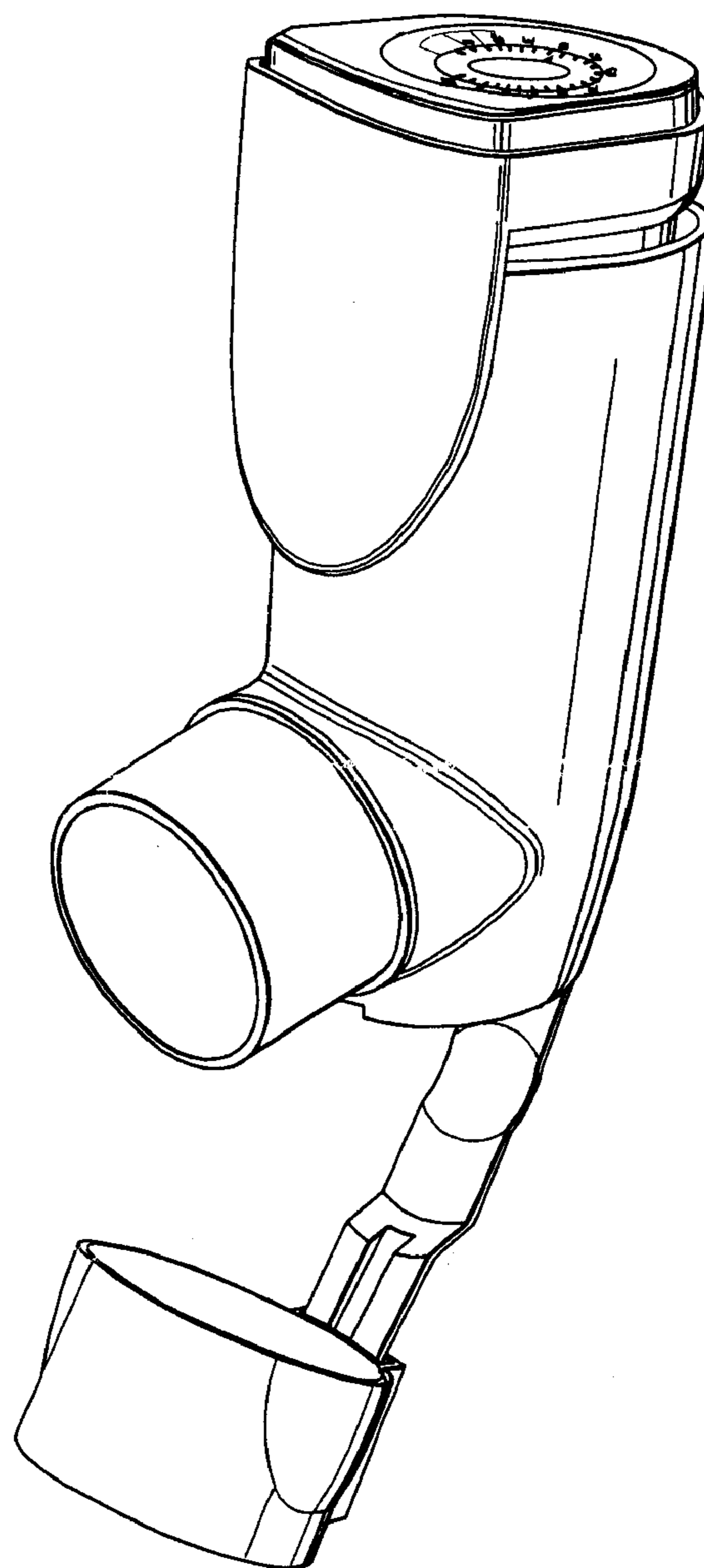


FIG. 2

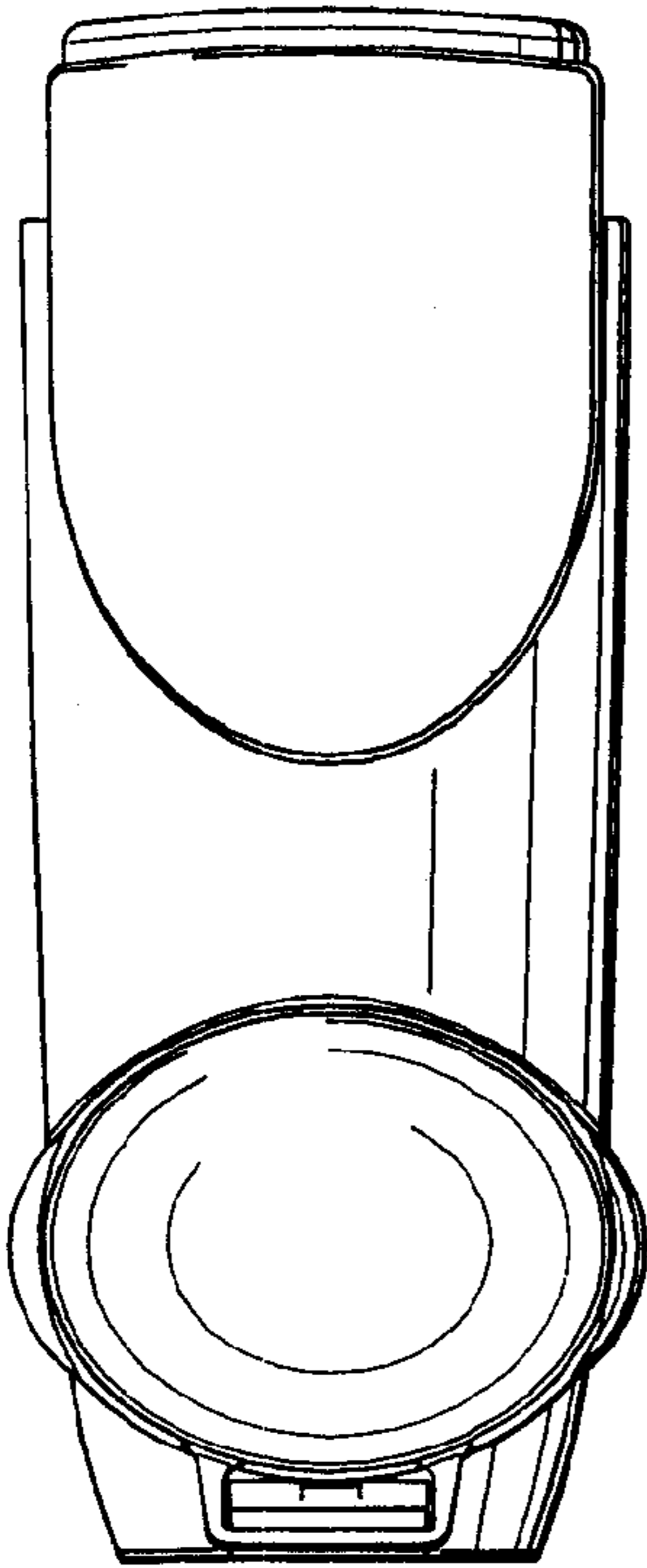


FIG. 3

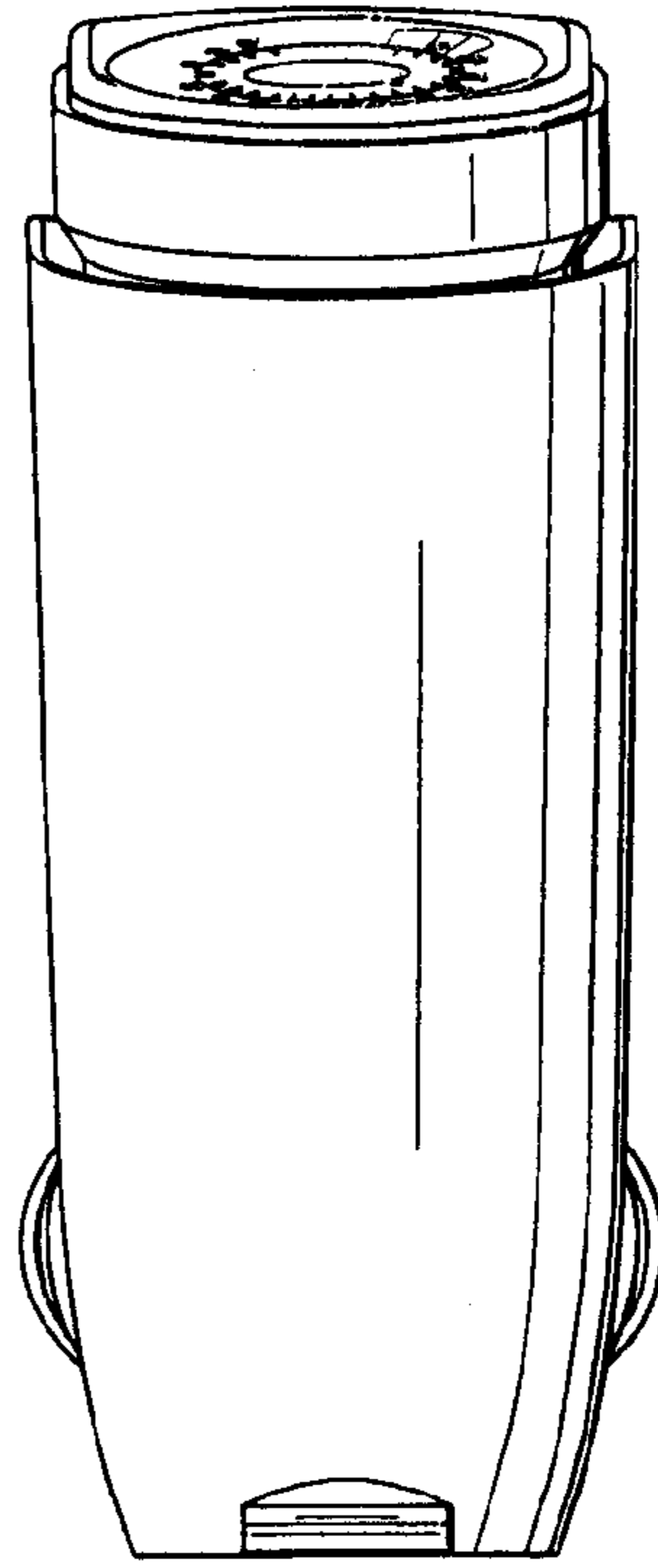


FIG. 4

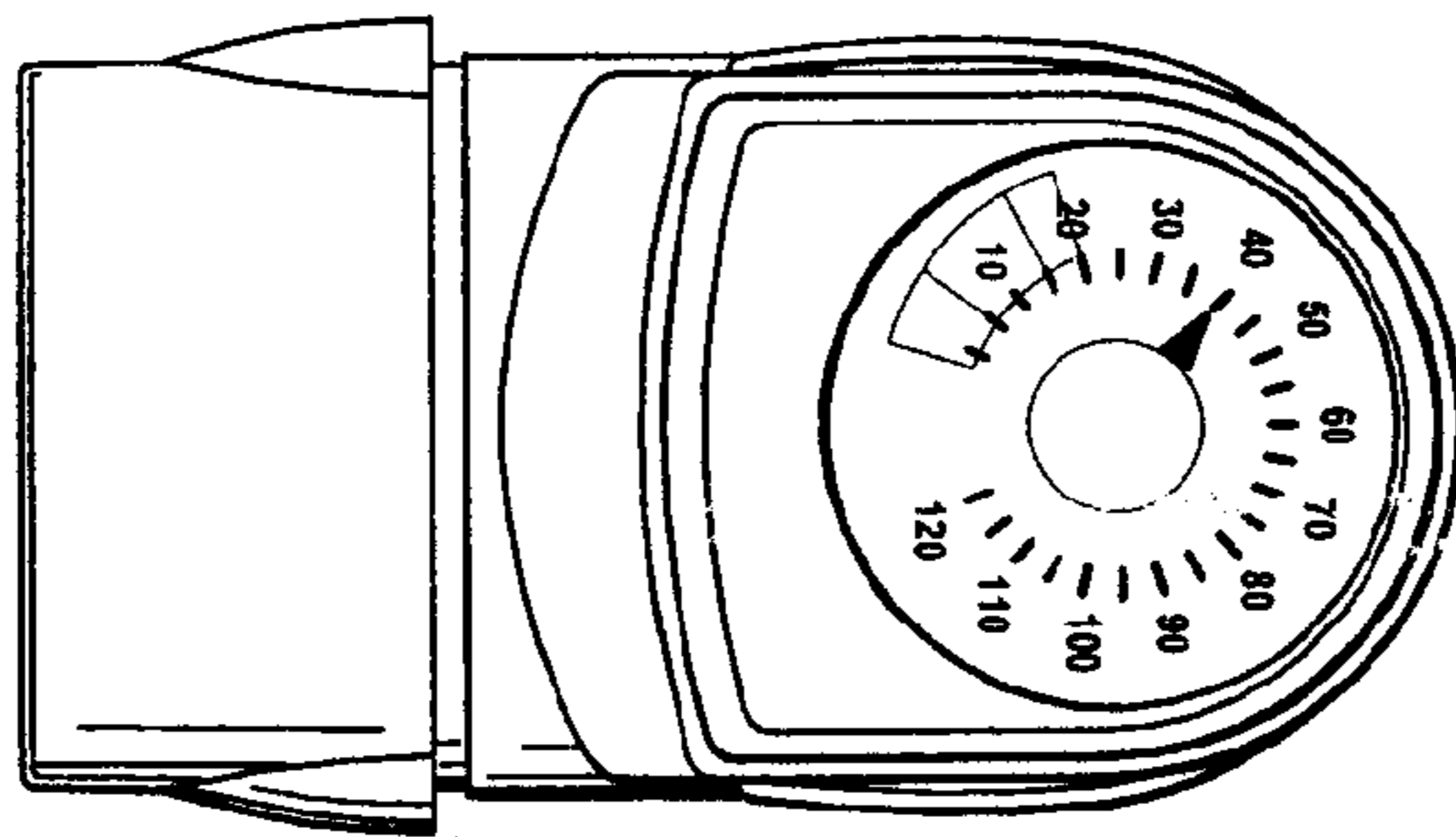


FIG. 5

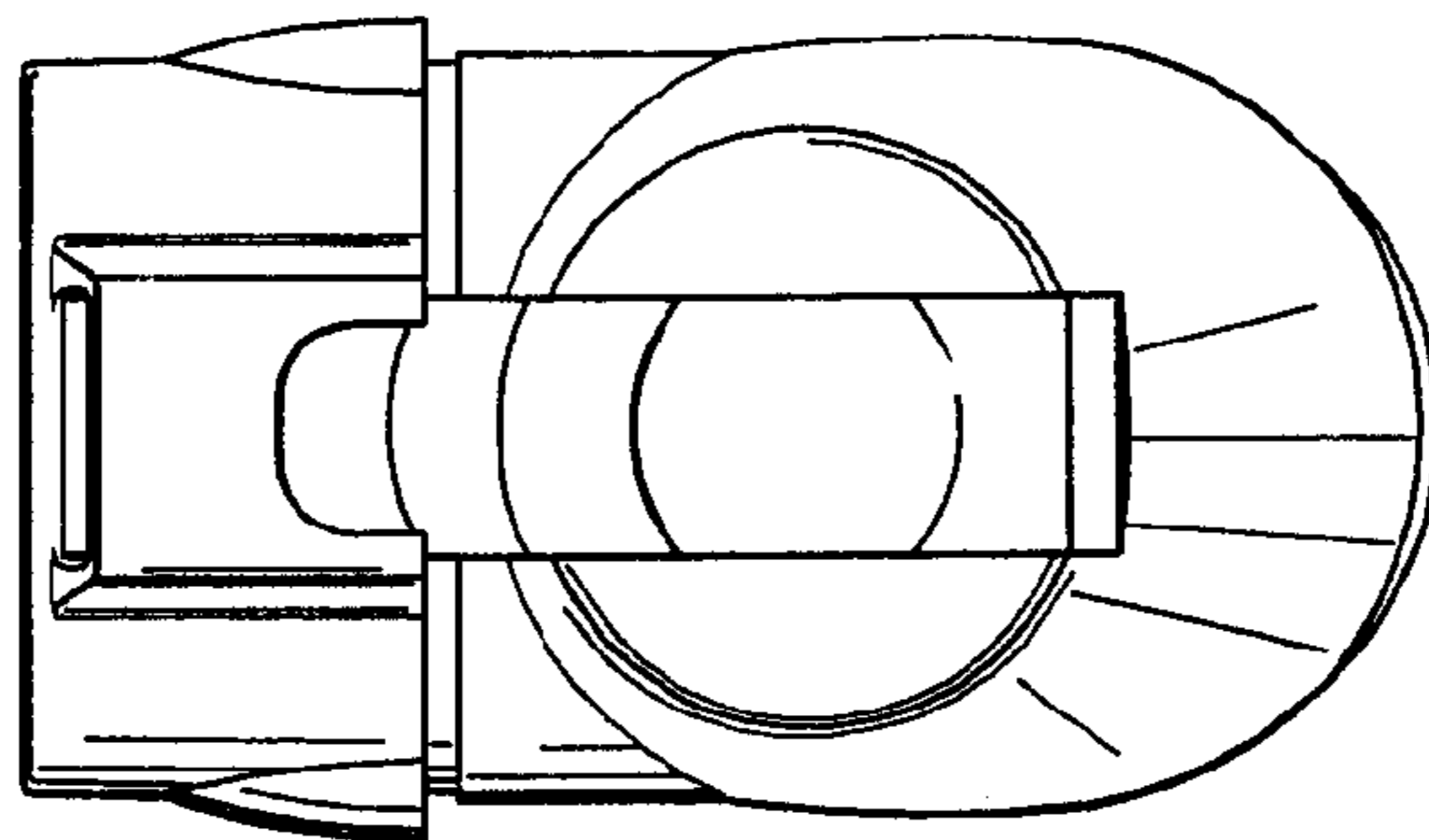


FIG. 6

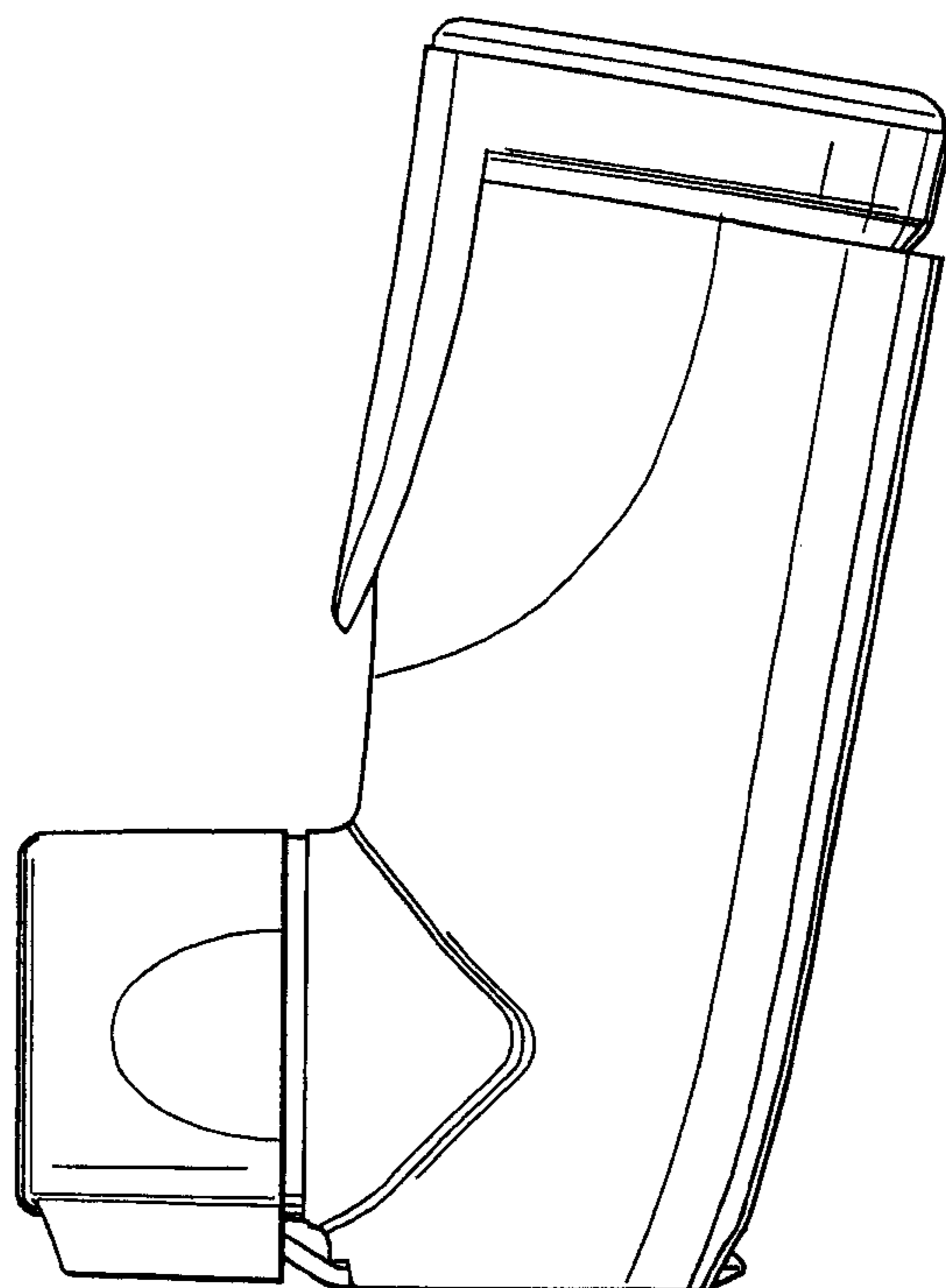


FIG. 7

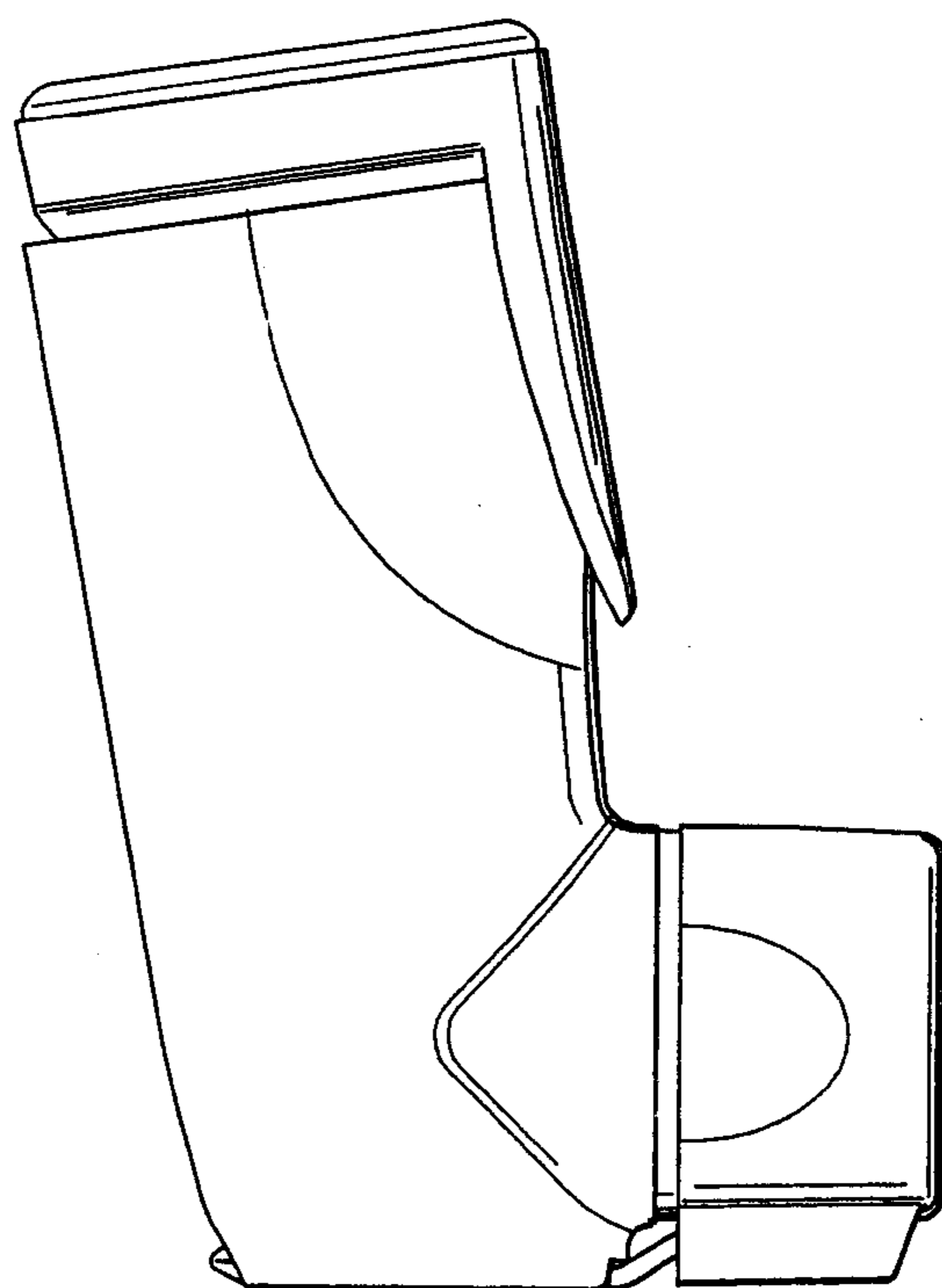


FIG. 8

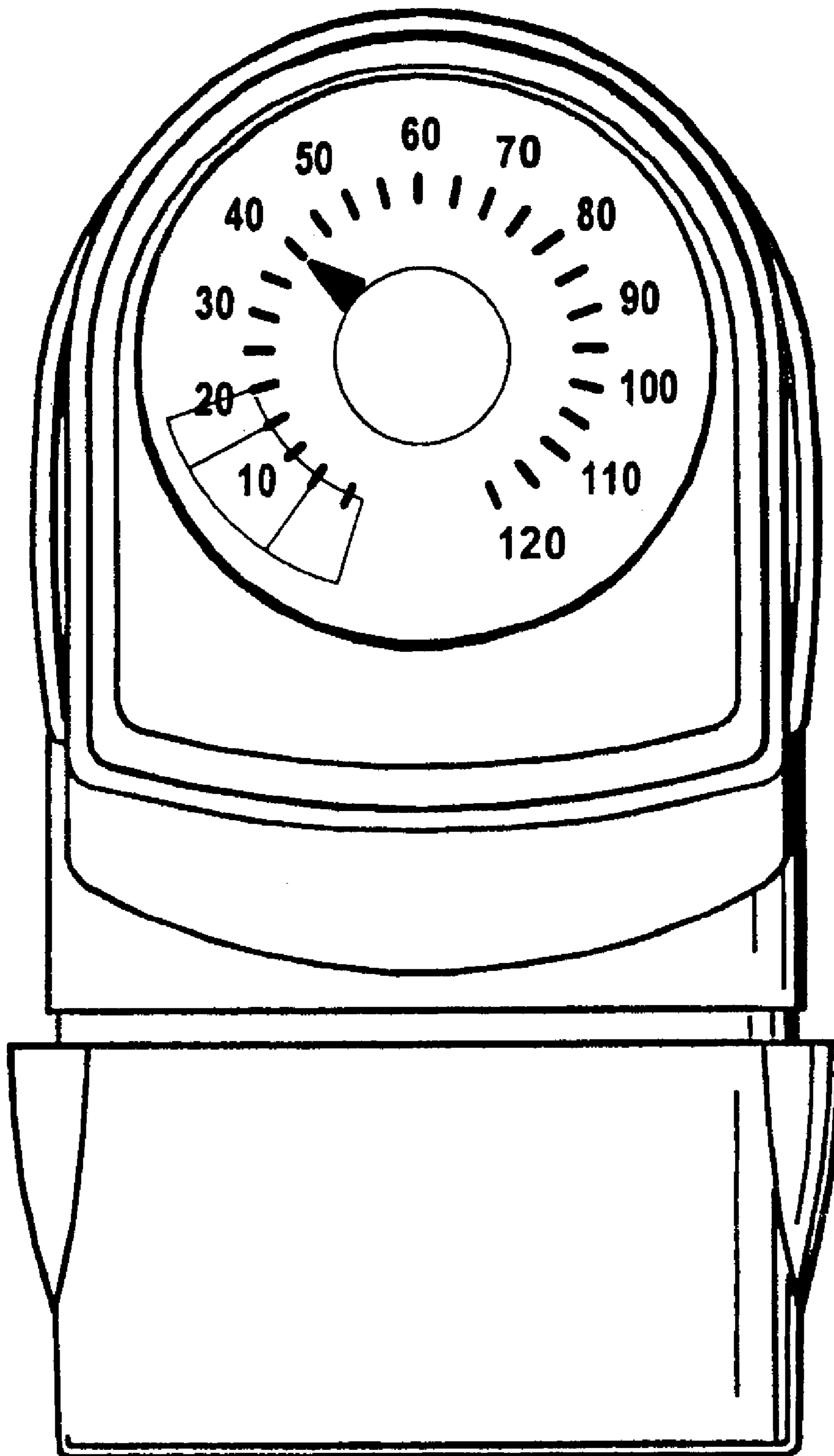


FIG. 9