



US00D529604S

(12) **United States Design Patent**
Young et al.

(10) **Patent No.:** **US D529,604 S**
(45) **Date of Patent:** **** Oct. 3, 2006**

(54) **DRY POWDER INHALER**

(75) Inventors: **Matthew E. Young**, Cambridge (GB);
Stuart Brian William Kay, Cambridge
(GB); **Neil Richard Harrison**,
Birmingham (GB); **Michael W.**
Ligotke, San Diego, CA (US)

(73) Assignee: **Quadrant Technologies Limited** (GB)

(**) Term: **14 Years**

(21) Appl. No.: **29/206,305**

(22) Filed: **May 28, 2004**

(51) **LOC (8) Cl.** **29-02**

(52) **U.S. Cl.** **D24/110**

(58) **Field of Classification Search** D24/110,
D24/110.5; 128/203.15, 203.21, 203.28

See application file for complete search history.

(56) **References Cited**

U.S. PATENT DOCUMENTS

4,210,140 A 7/1980 James et al.

D365,876 S * 1/1996 Chawla D24/110
5,881,719 A 3/1999 Gottenauer et al.
D441,446 S * 5/2001 Dagsland et al. D24/110
6,367,473 B1 4/2002 Käfer

* cited by examiner

Primary Examiner—Ian Simmons

Assistant Examiner—Christopher Lee

(74) *Attorney, Agent, or Firm*—Perkins Coie LLP

(57) **CLAIM**

The ornamental design for a dry powder inhaler, as shown and described.

DESCRIPTION

FIG. 1 is a side and top perspective view of our new design for a dry powder inhaler.

FIG. 2 is a front view of the inhaler shown in FIG. 1.

FIG. 3 is a back view thereof.

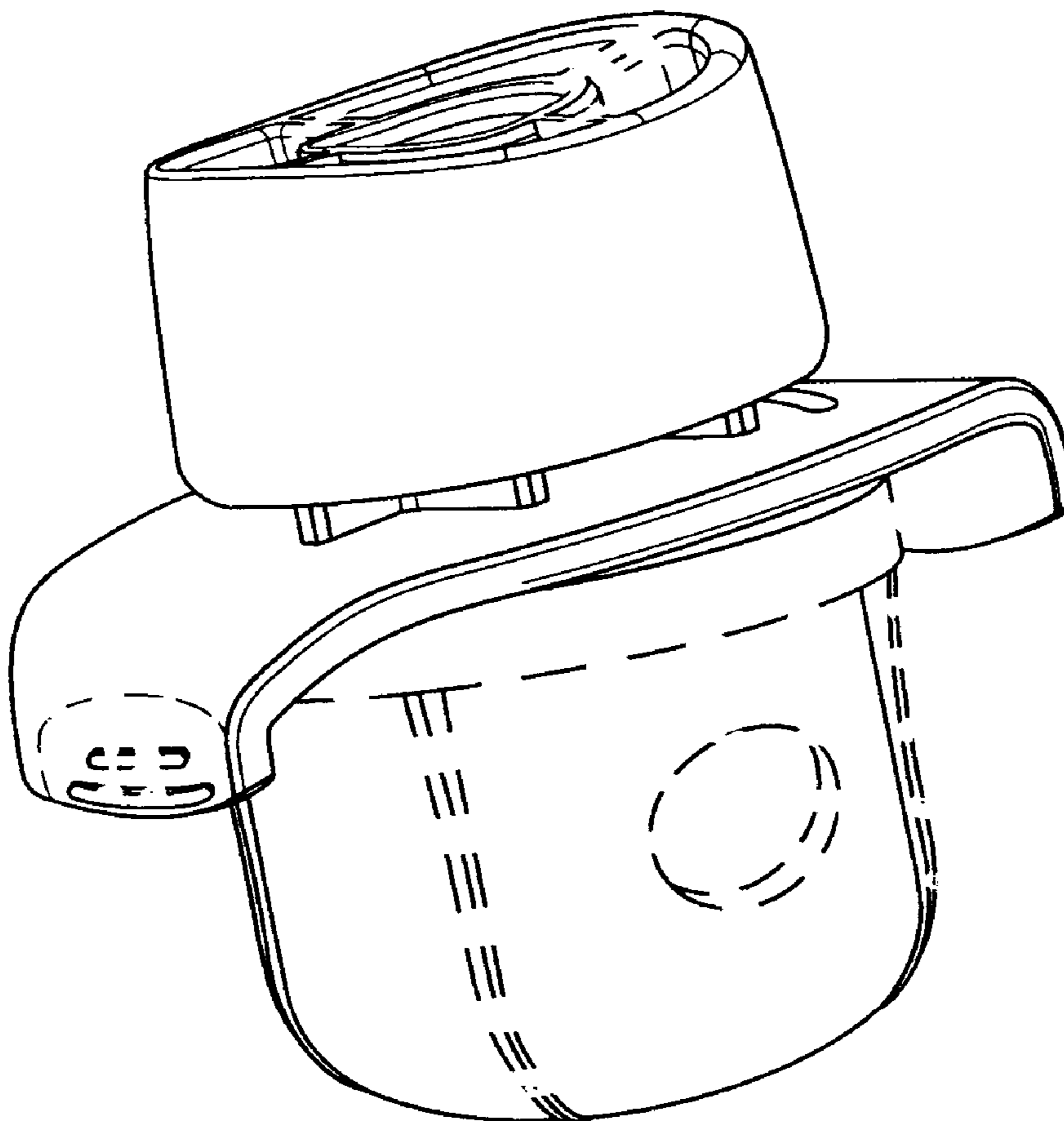
FIG. 4 is a right side view thereof.

FIG. 5 is a left side view thereof.

FIG. 6 is a top view thereof; and,

FIG. 7 is a bottom view thereof.

1 Claim, 4 Drawing Sheets



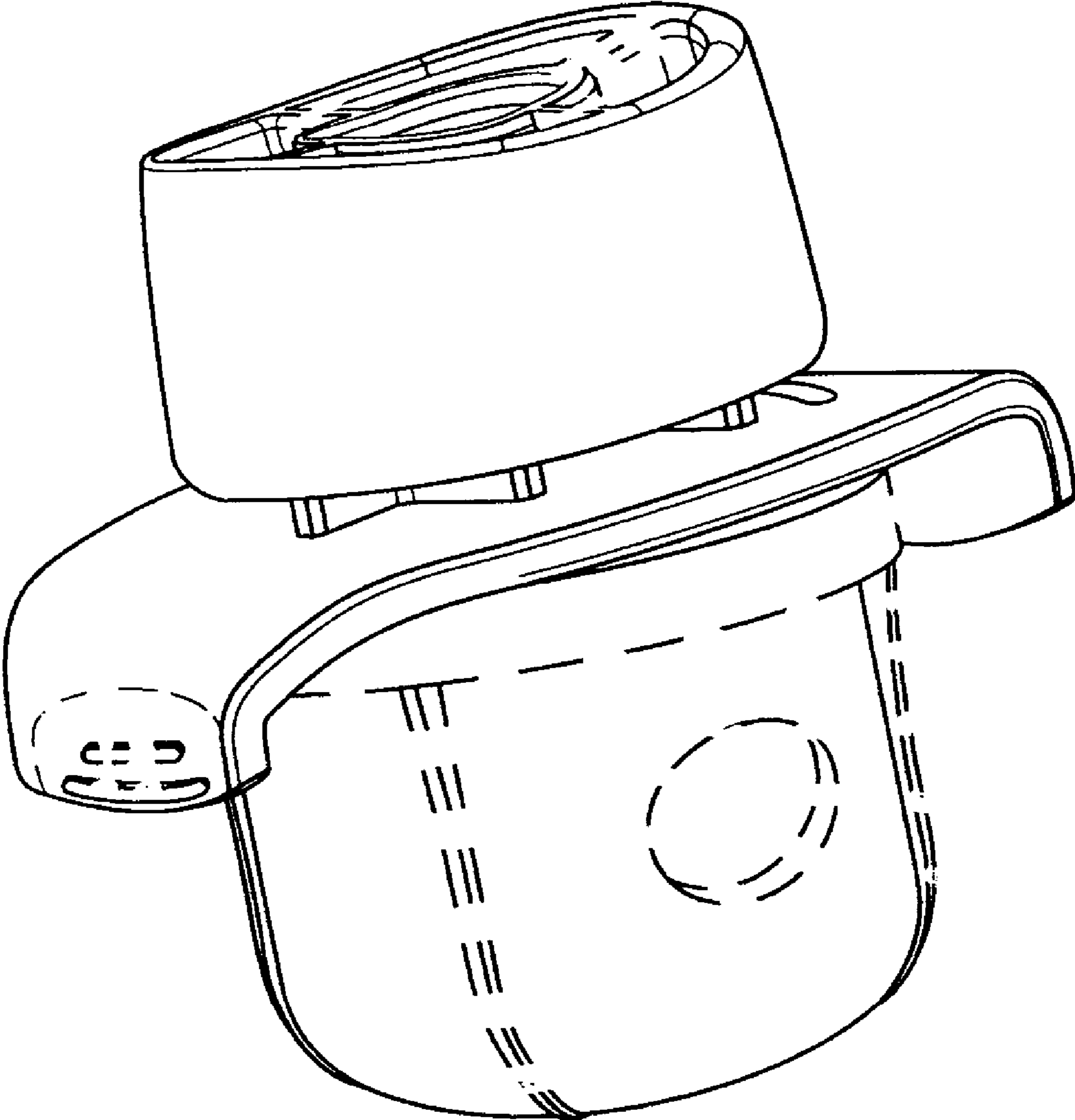


FIG. 1

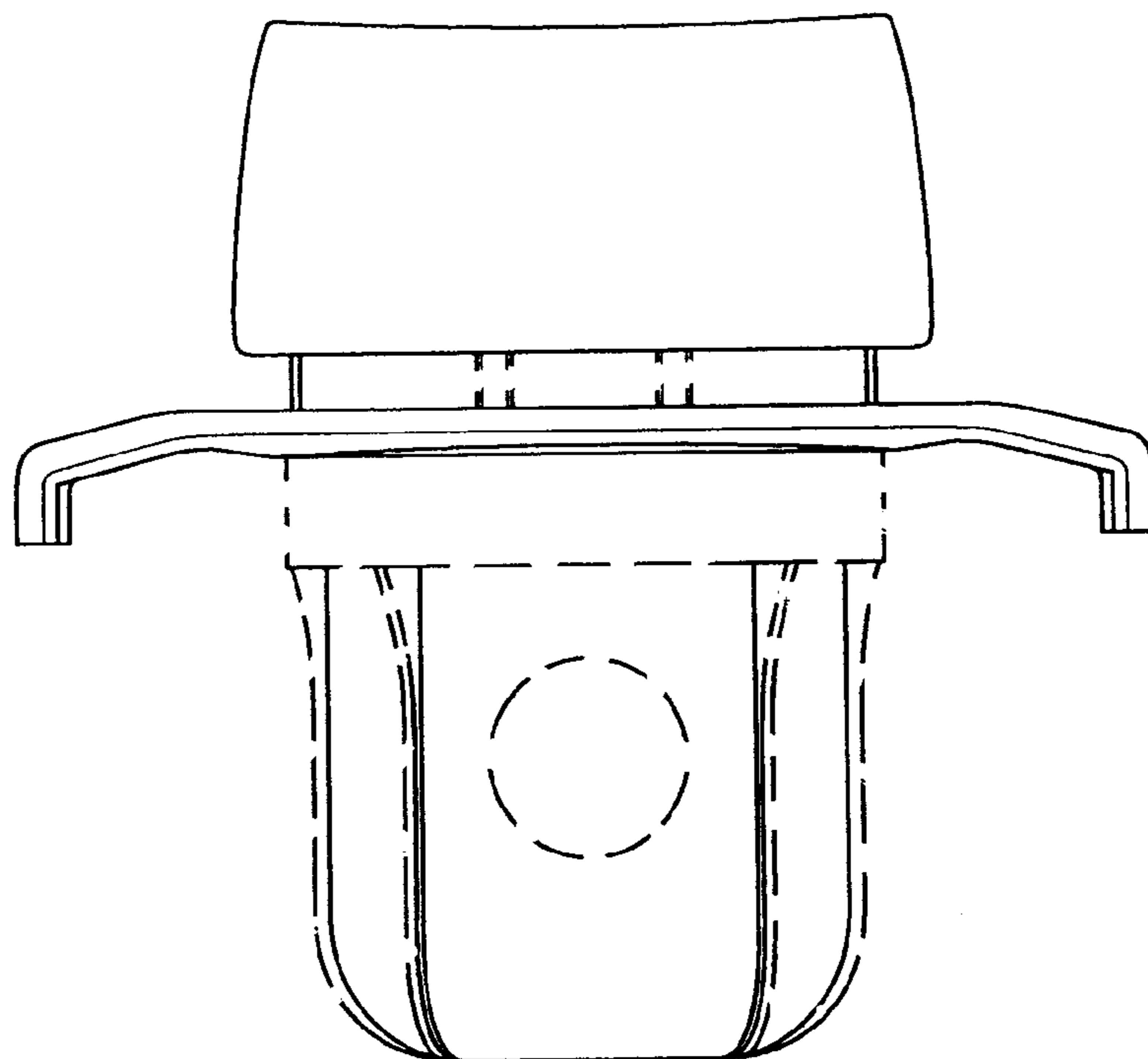
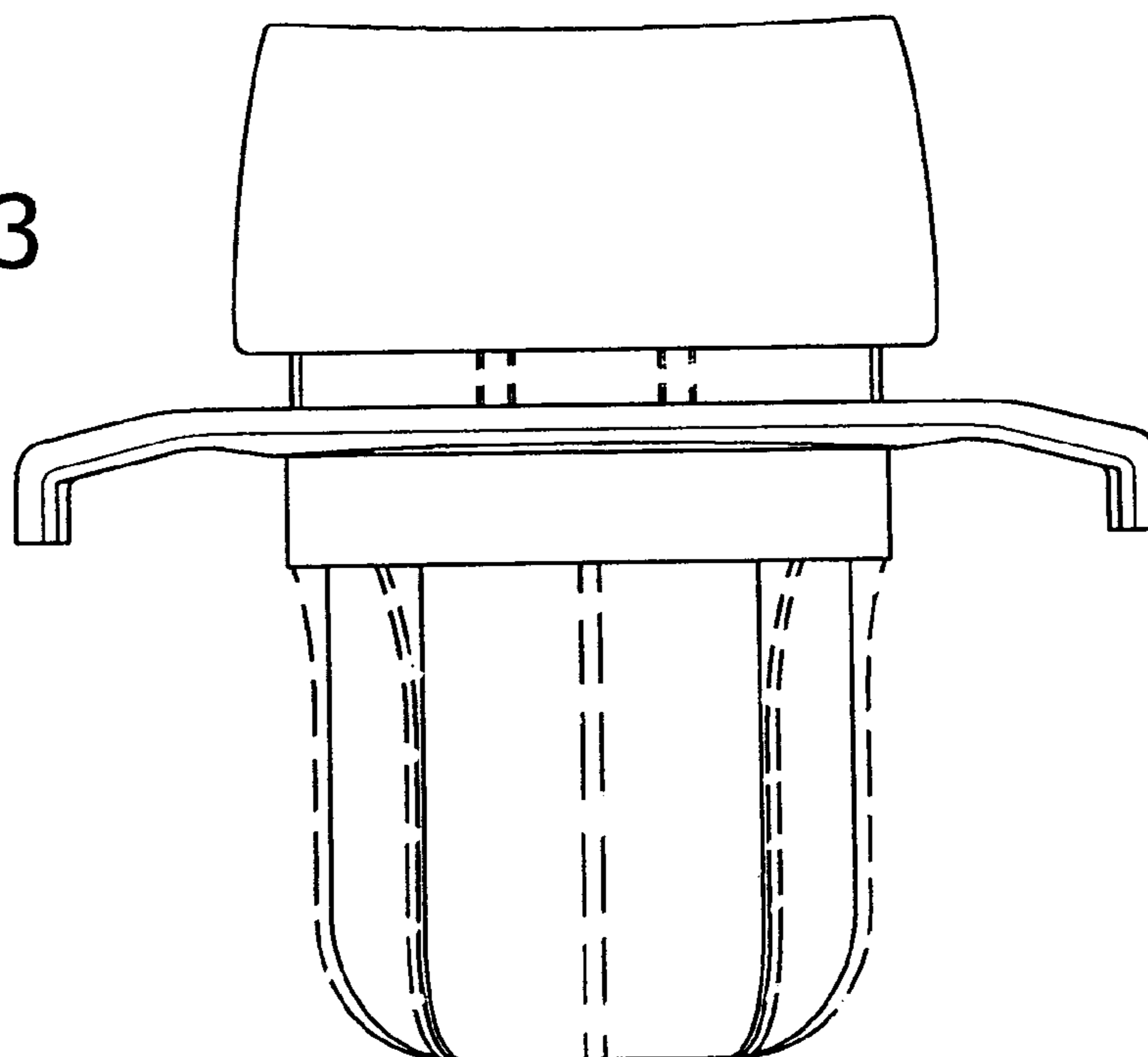


FIG. 2

FIG. 3



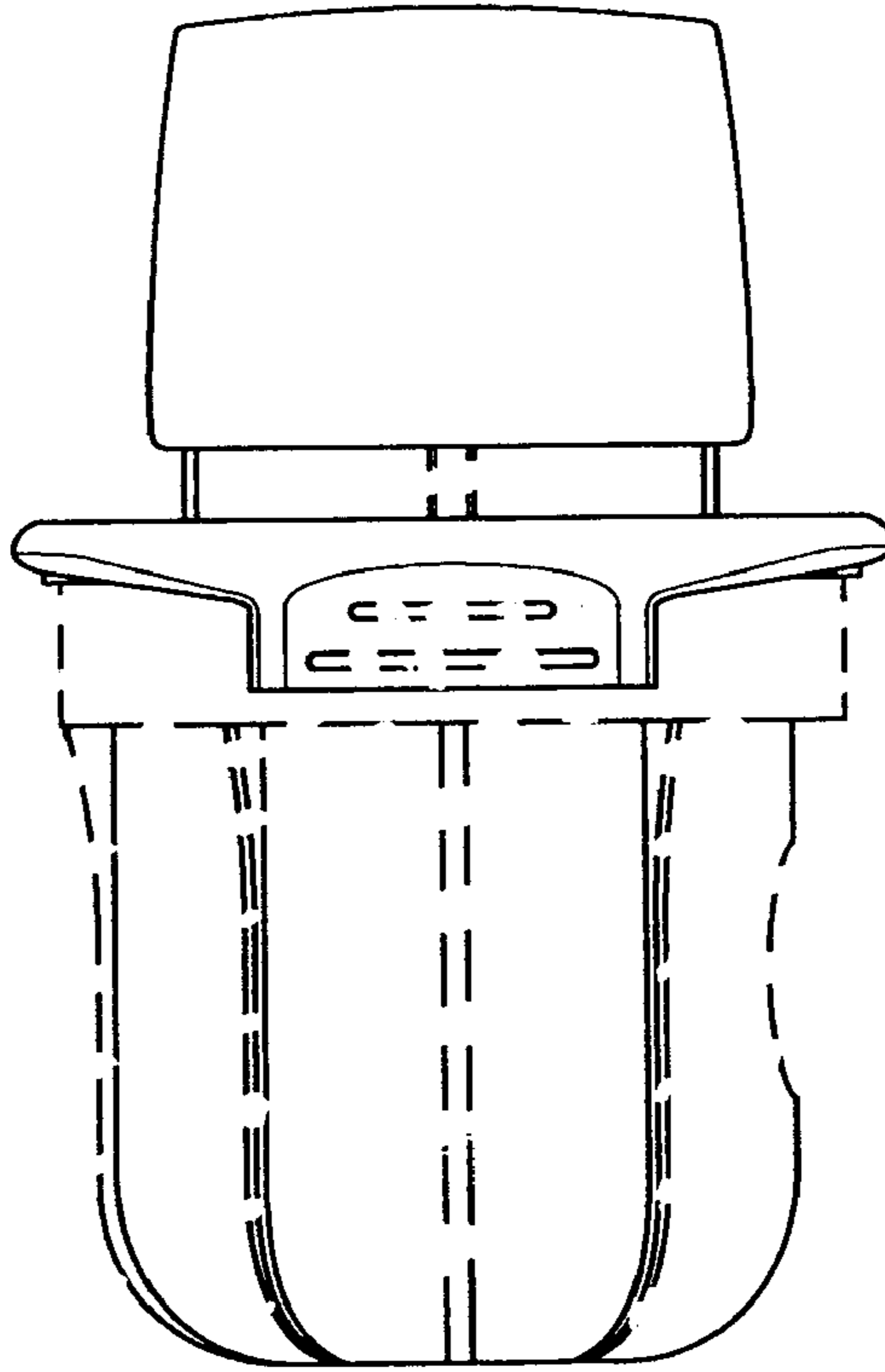
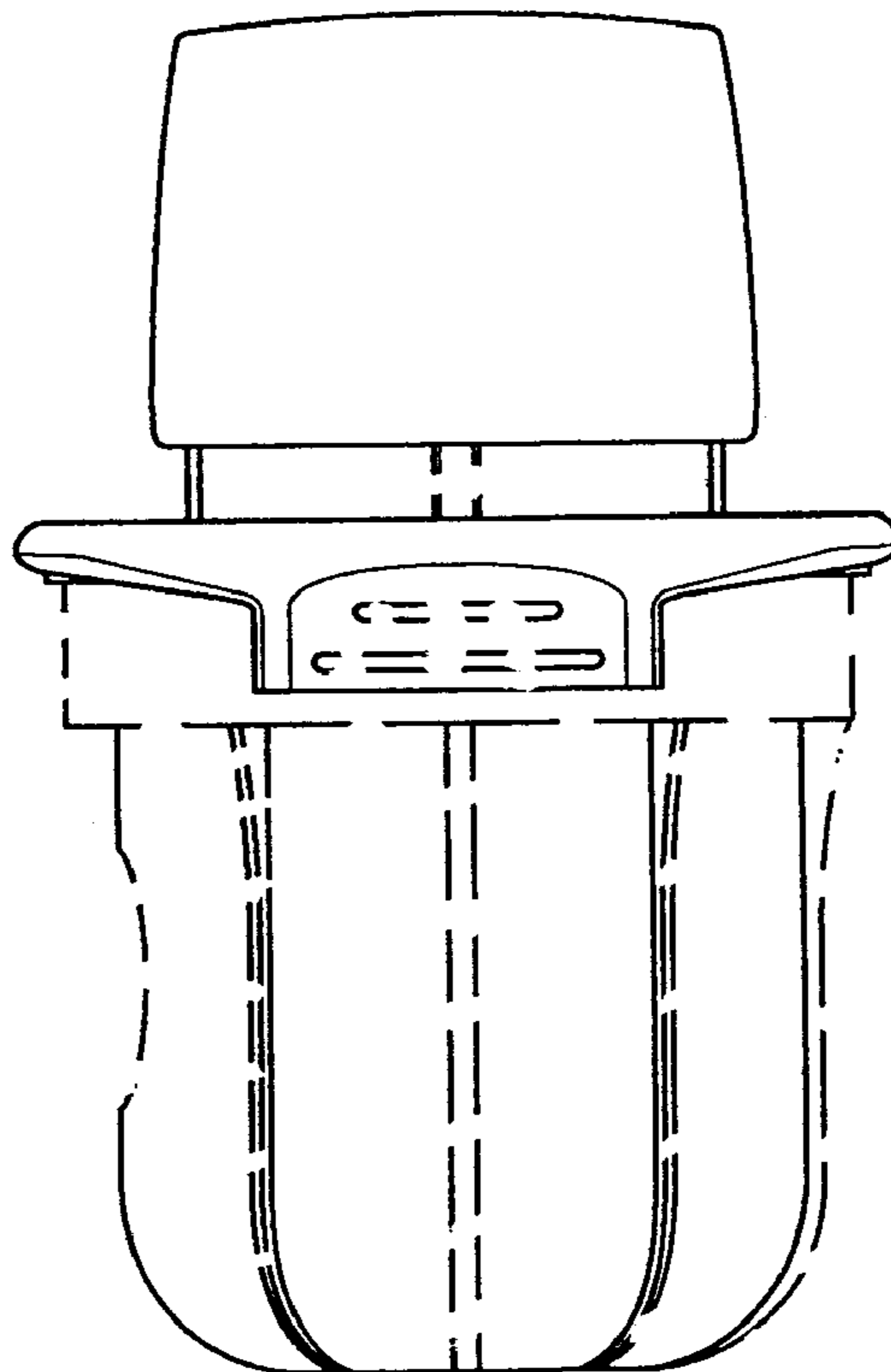


FIG. 4

FIG. 5



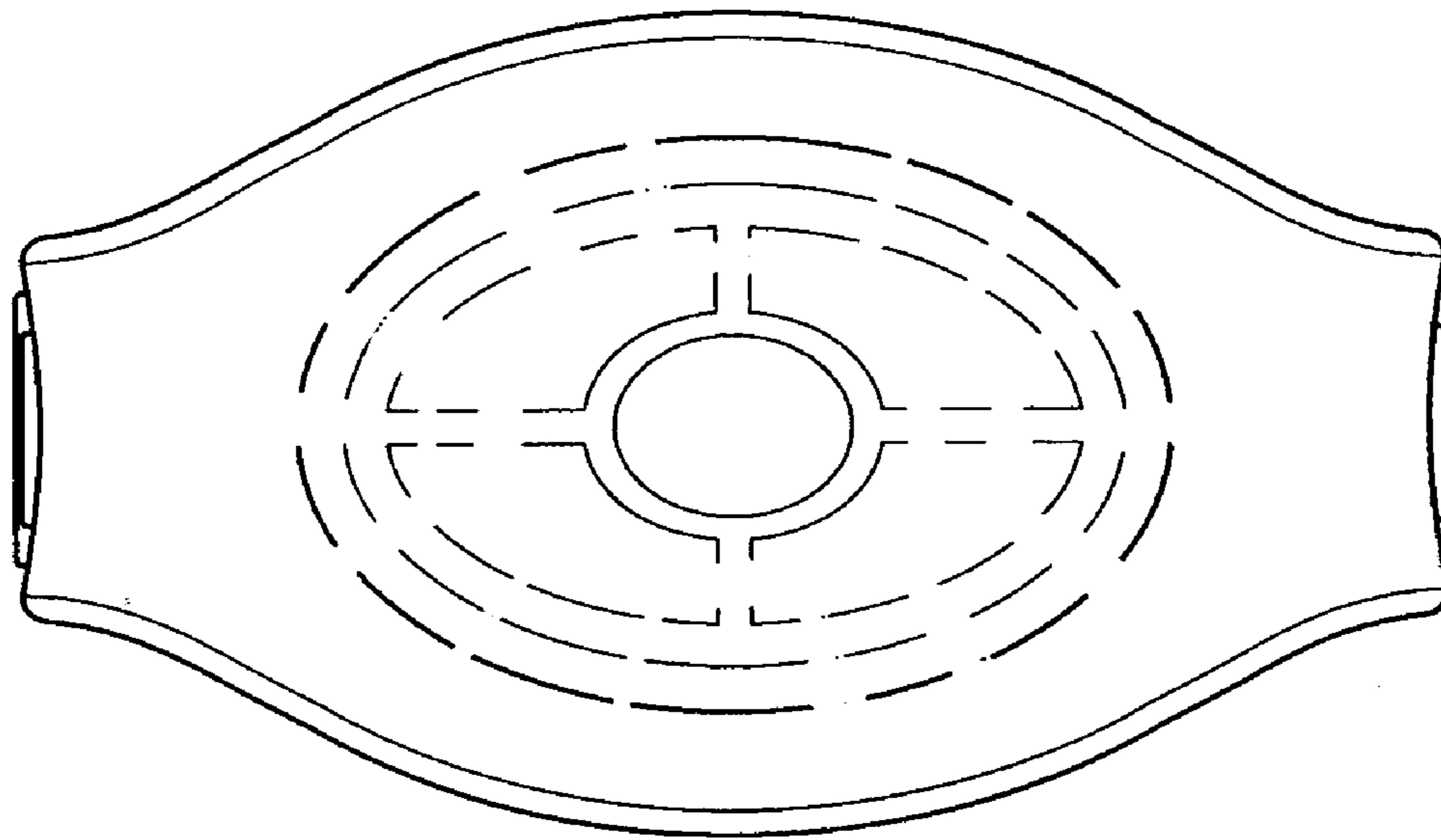


FIG. 6

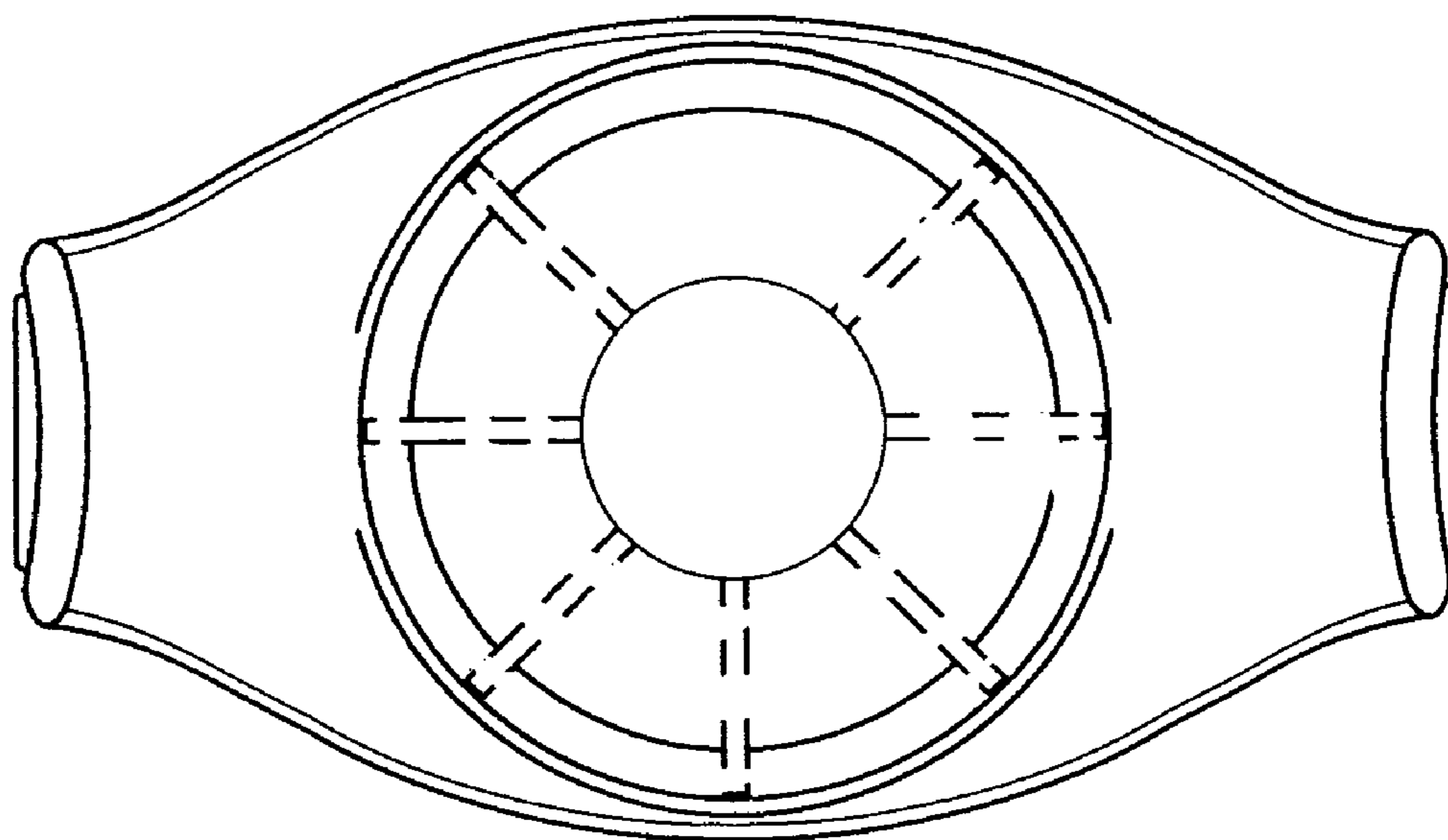


FIG. 7