



US00D529601S

(12) **United States Design Patent**
Shurtleff

(10) **Patent No.:** **US D529,601 S**

(45) **Date of Patent:** **** Oct. 3, 2006**

(54) **CEILING FAN MOTOR HOUSING**

(75) Inventor: **Mark Shurtleff**, Long Beach, CA (US)

(73) Assignee: **Air Cool Industrial Co., Ltd.**,
Taichung Hsien (TW)

(**) Term: **14 Years**

(21) Appl. No.: **29/241,826**

(22) Filed: **Nov. 2, 2005**

(51) **LOC (8) Cl.** **23-04**

(52) **U.S. Cl.** **D23/411**

(58) **Field of Classification Search** D23/411,
D23/377, 379, 385; 416/5; 392/364

See application file for complete search history.

(56) **References Cited**

U.S. PATENT DOCUMENTS

- D406,332 S * 3/1999 Liu D23/411
- D464,424 S * 10/2002 Campbell D23/411
- D499,479 S * 12/2004 Thomas, Jr. D23/411

* cited by examiner

Primary Examiner—Lisa Lichtenstein

(74) *Attorney, Agent, or Firm*—Troxell Law Office, PLLC

(57) **CLAIM**

The ornamental design for a ceiling fan motor housing, as shown and described.

DESCRIPTION

FIG. 1 is a perspective view of a ceiling fan motor housing showing my new design;

FIG. 2 is a front end elevation view thereof;

FIG. 3 is a rear end elevation view thereof;

FIG. 4 is a left side elevation view thereof;

FIG. 5 is a right side elevation view thereof;

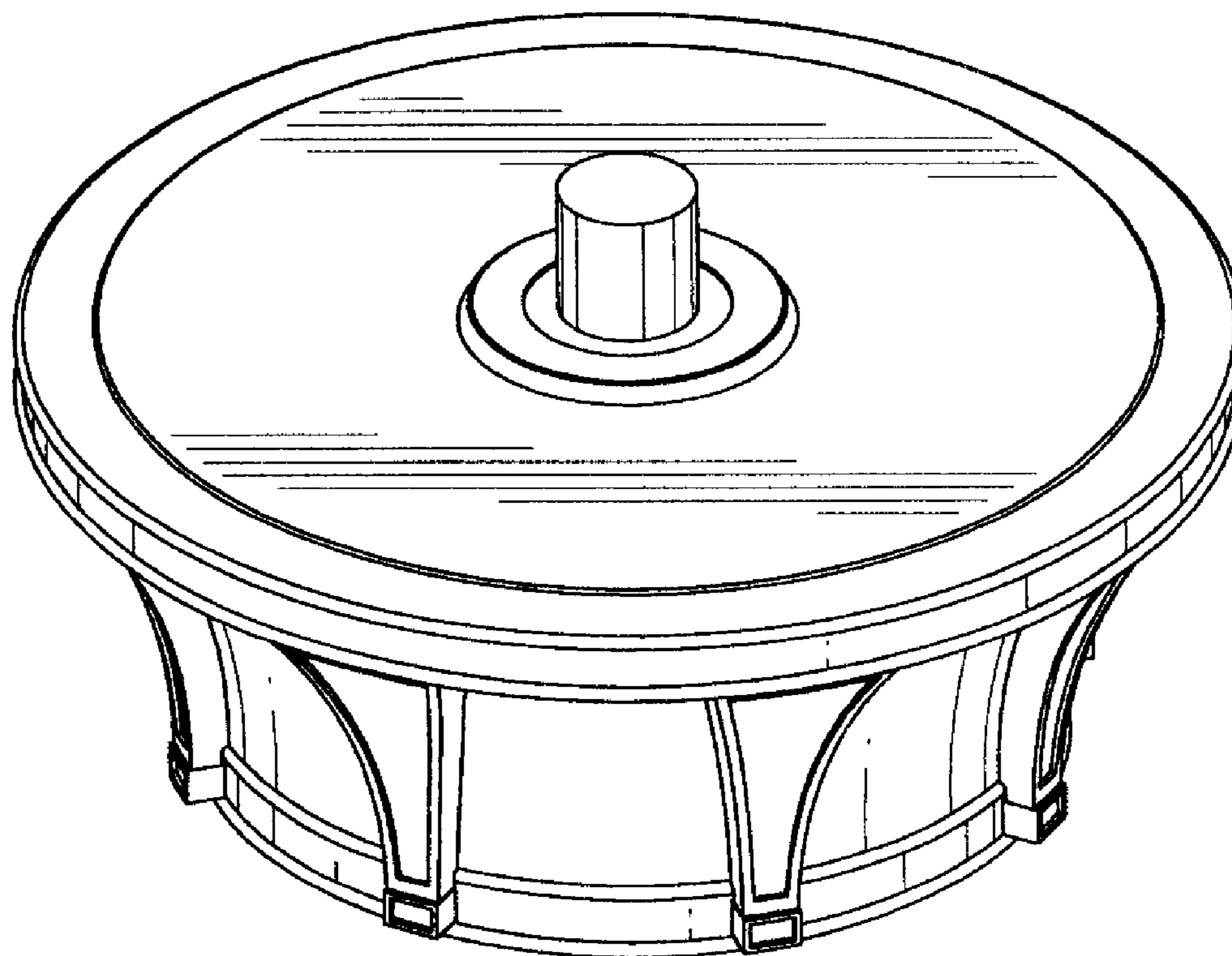
FIG. 6 is a top plan view thereof;

FIG. 7 is a bottom plan view thereof; and,

FIG. 8 is a reduced front end elevation view of the combined ceiling fan motor housing and light kit in accordance with my design, shown in its environment.

The broken lines in the views show environmental features, which are for illustrative purposes only and form no part of the claimed design.

1 Claim, 6 Drawing Sheets



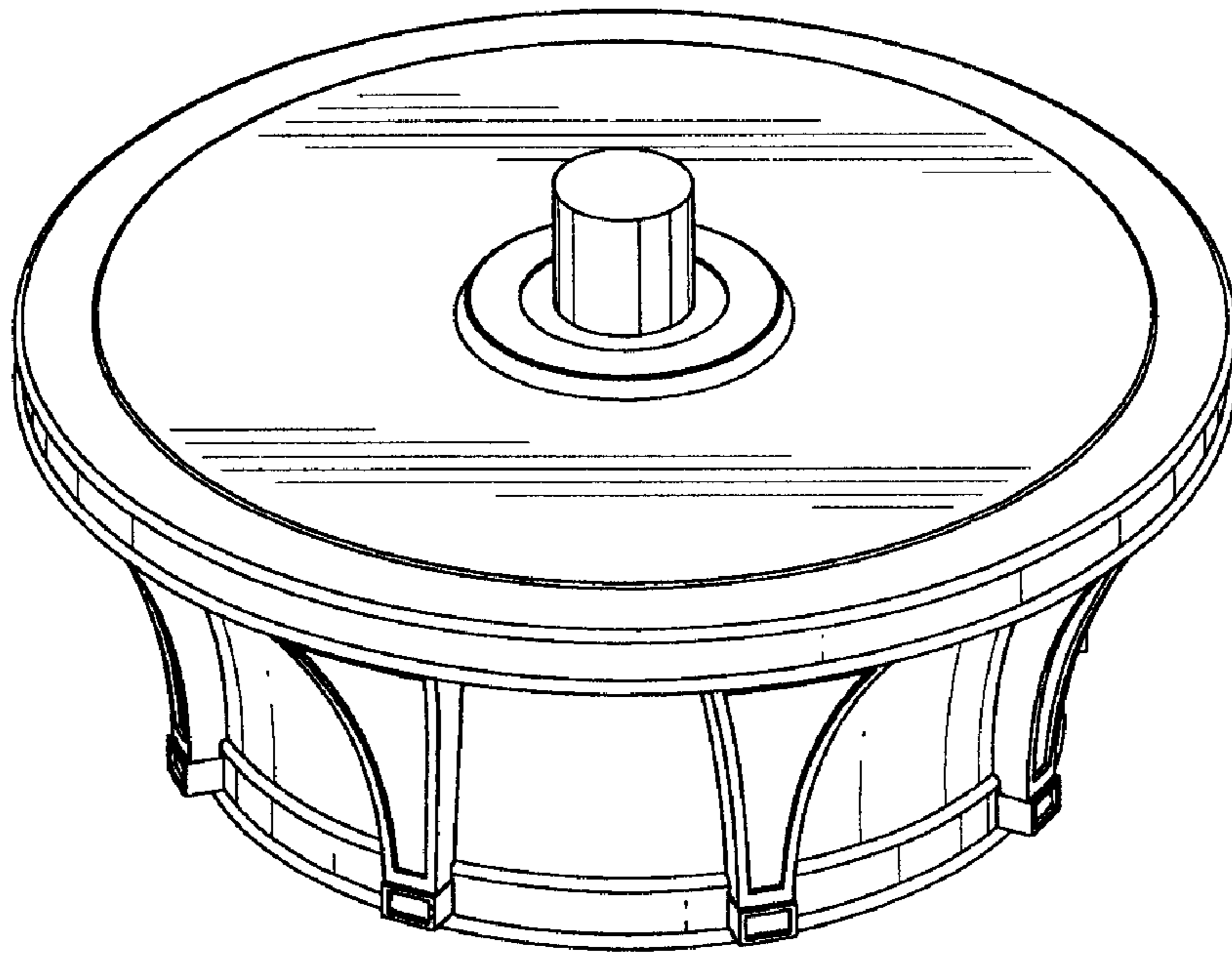


FIG. 1

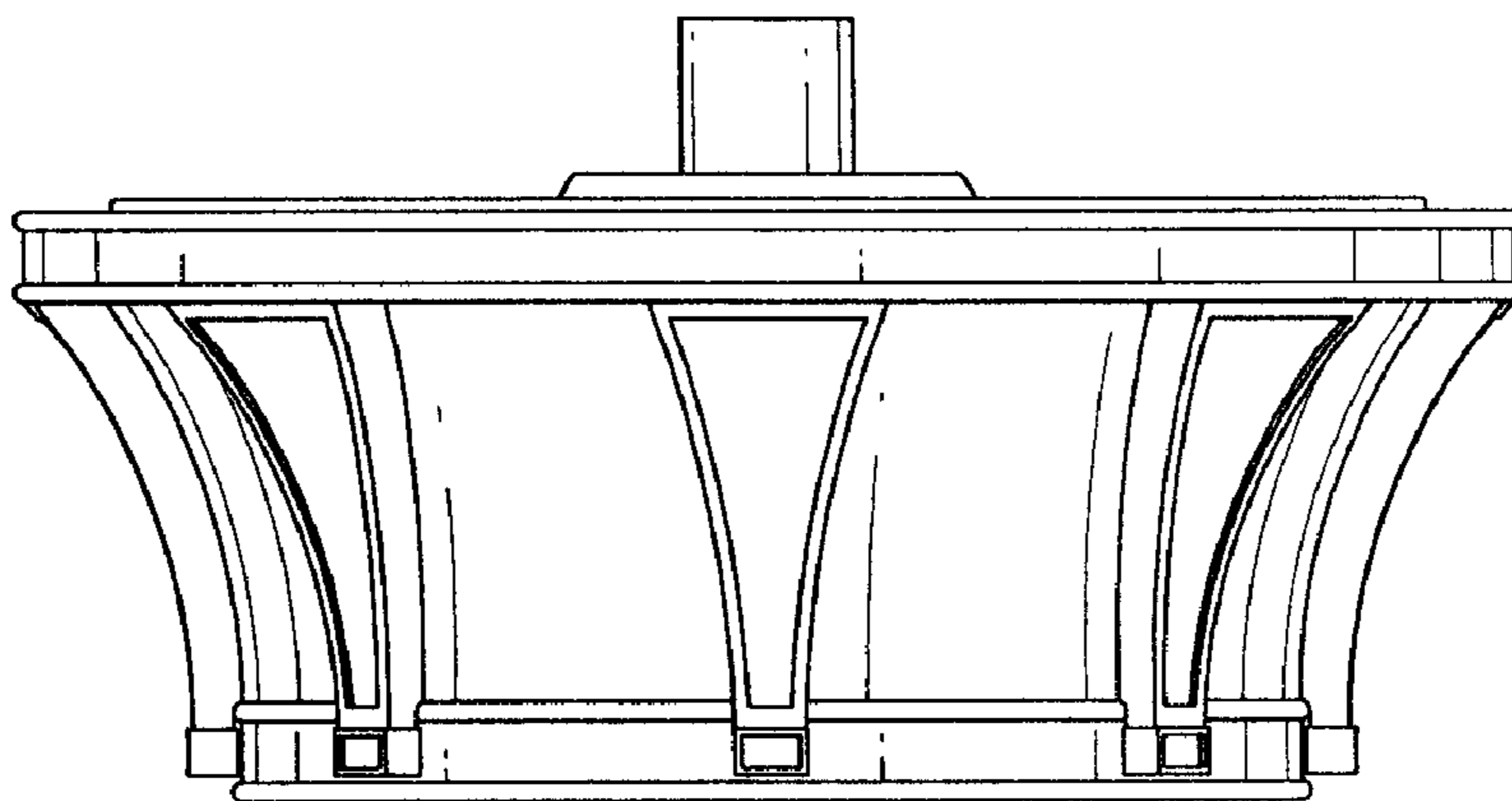


FIG. 2

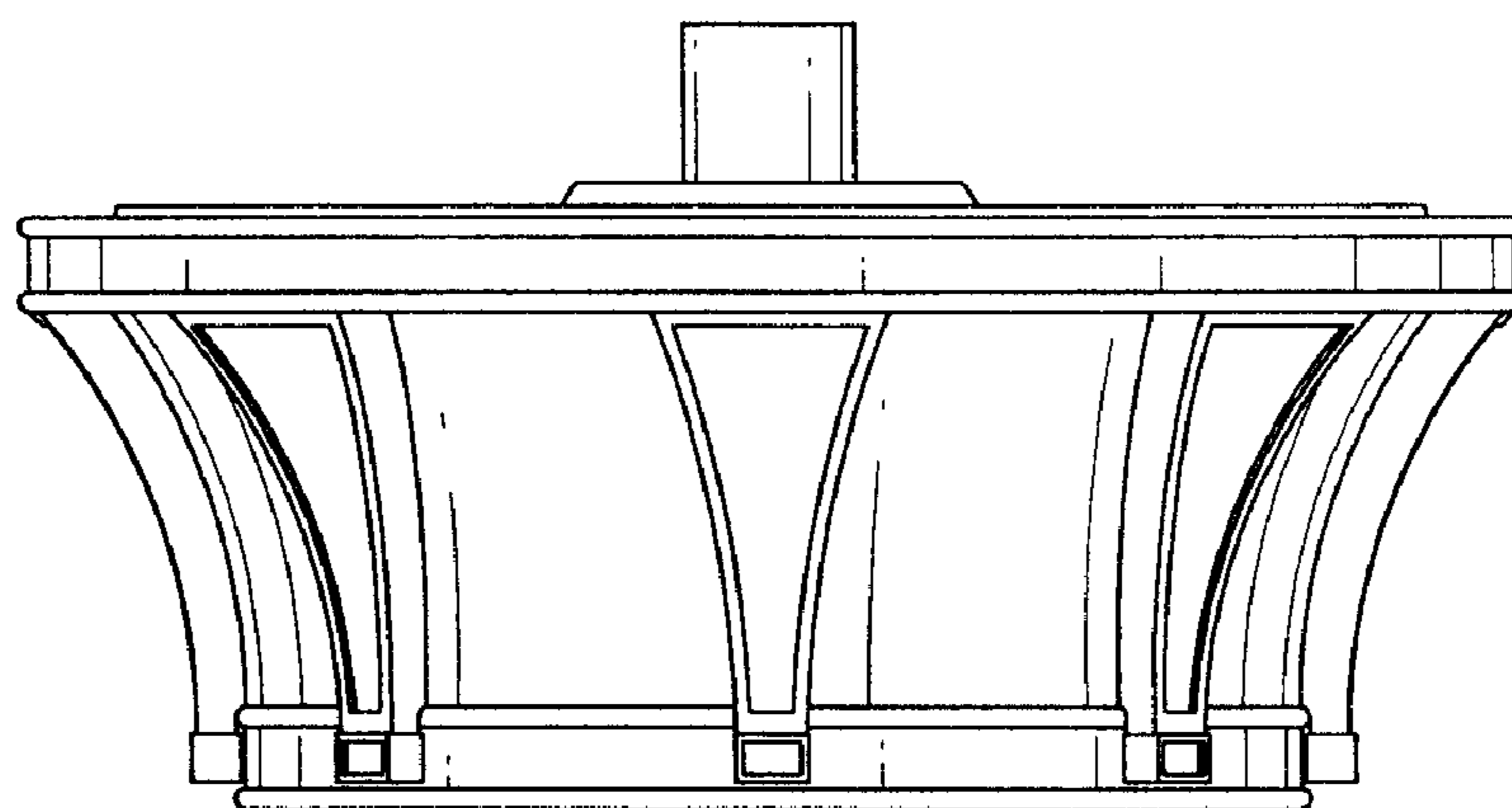


FIG. 3

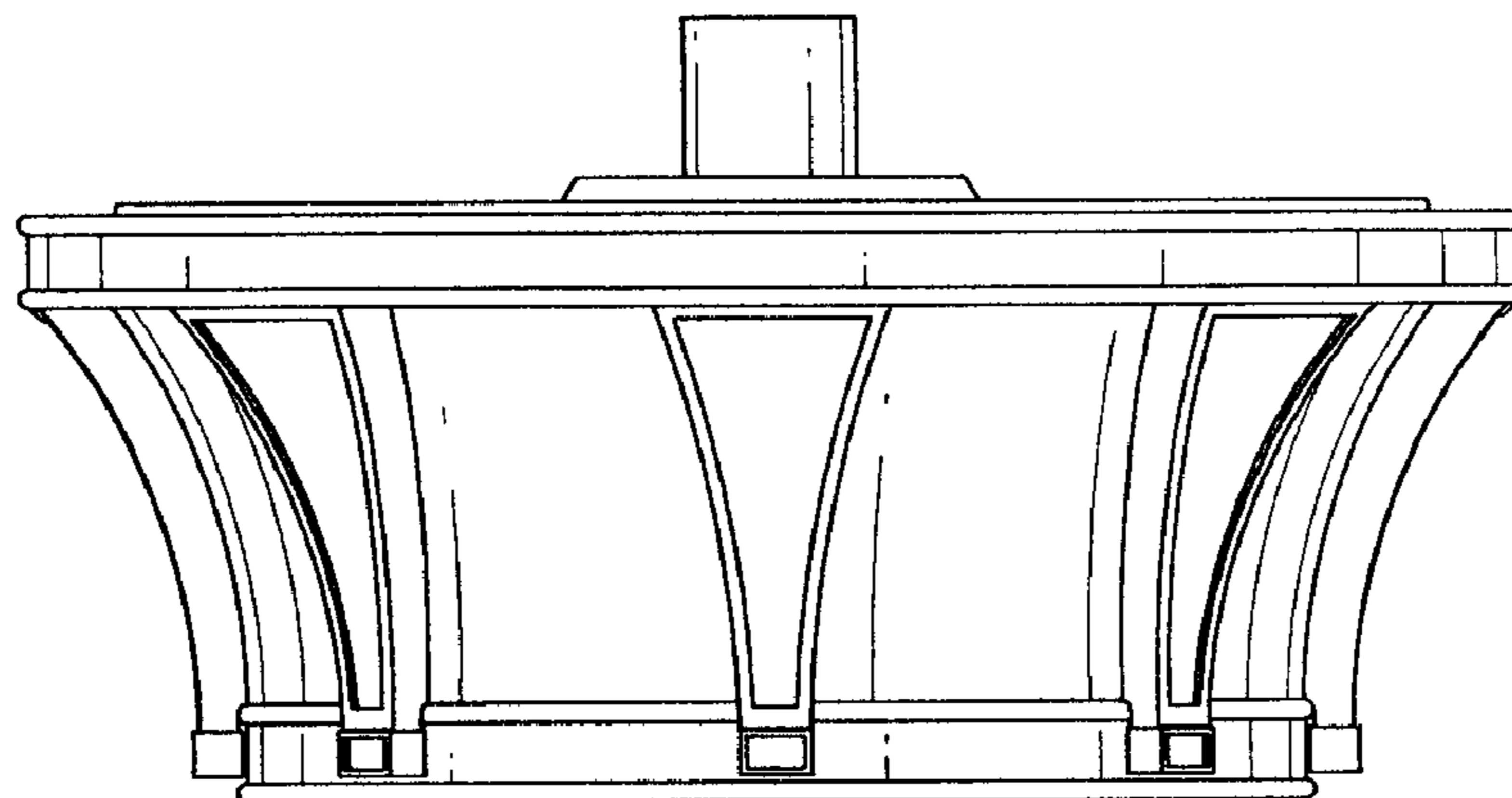


FIG. 4

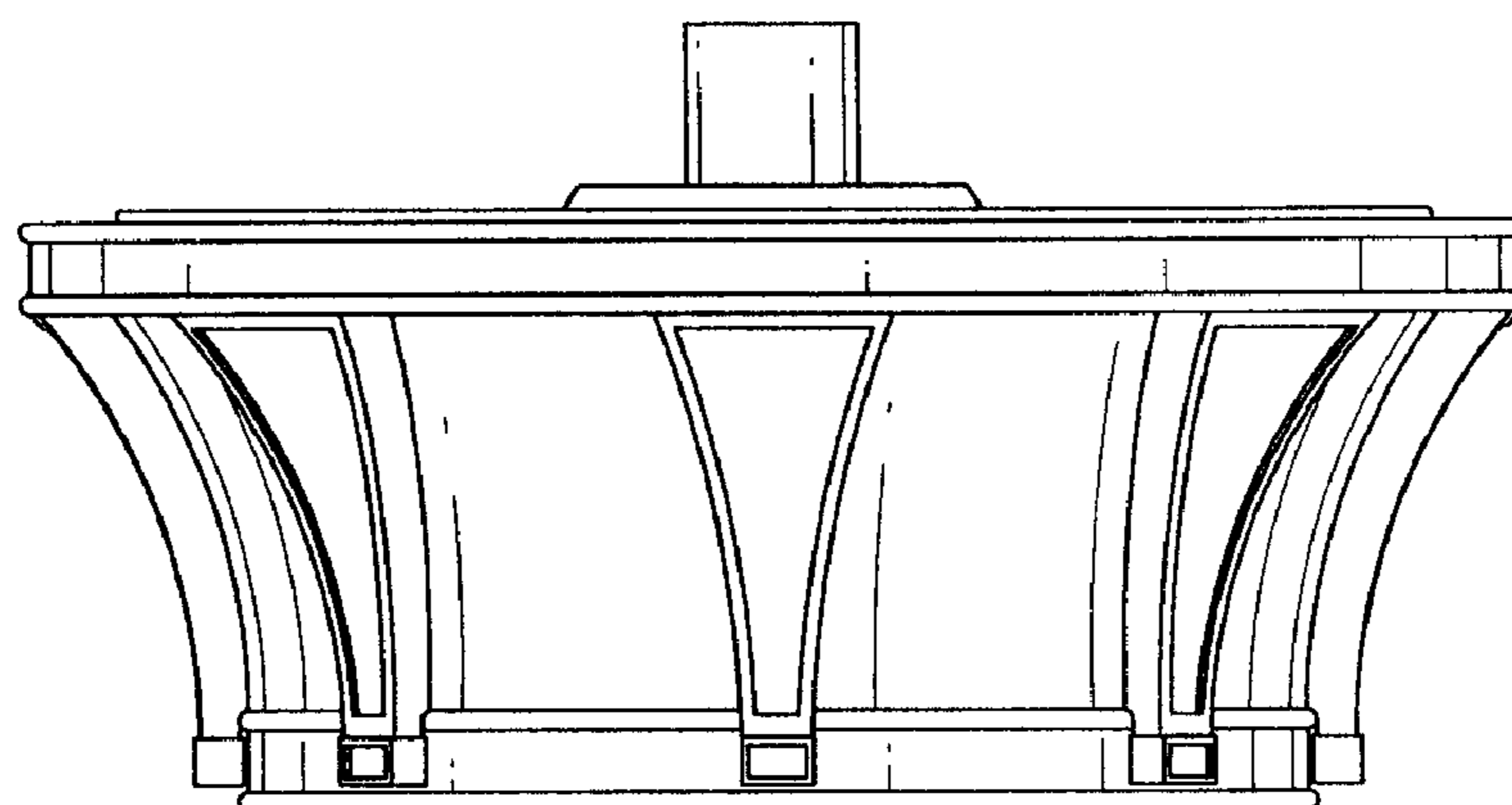


FIG. 5

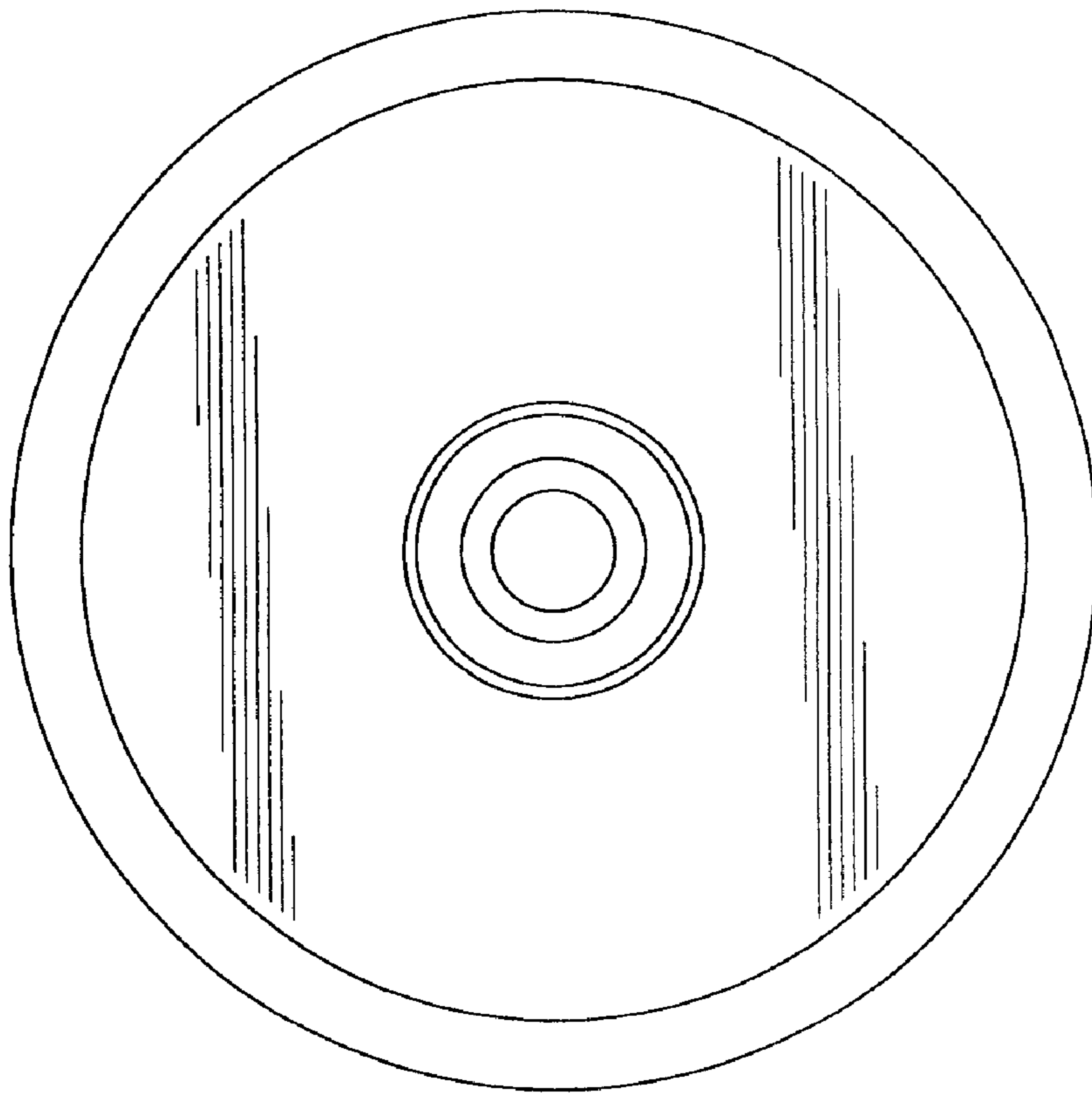


FIG. 6

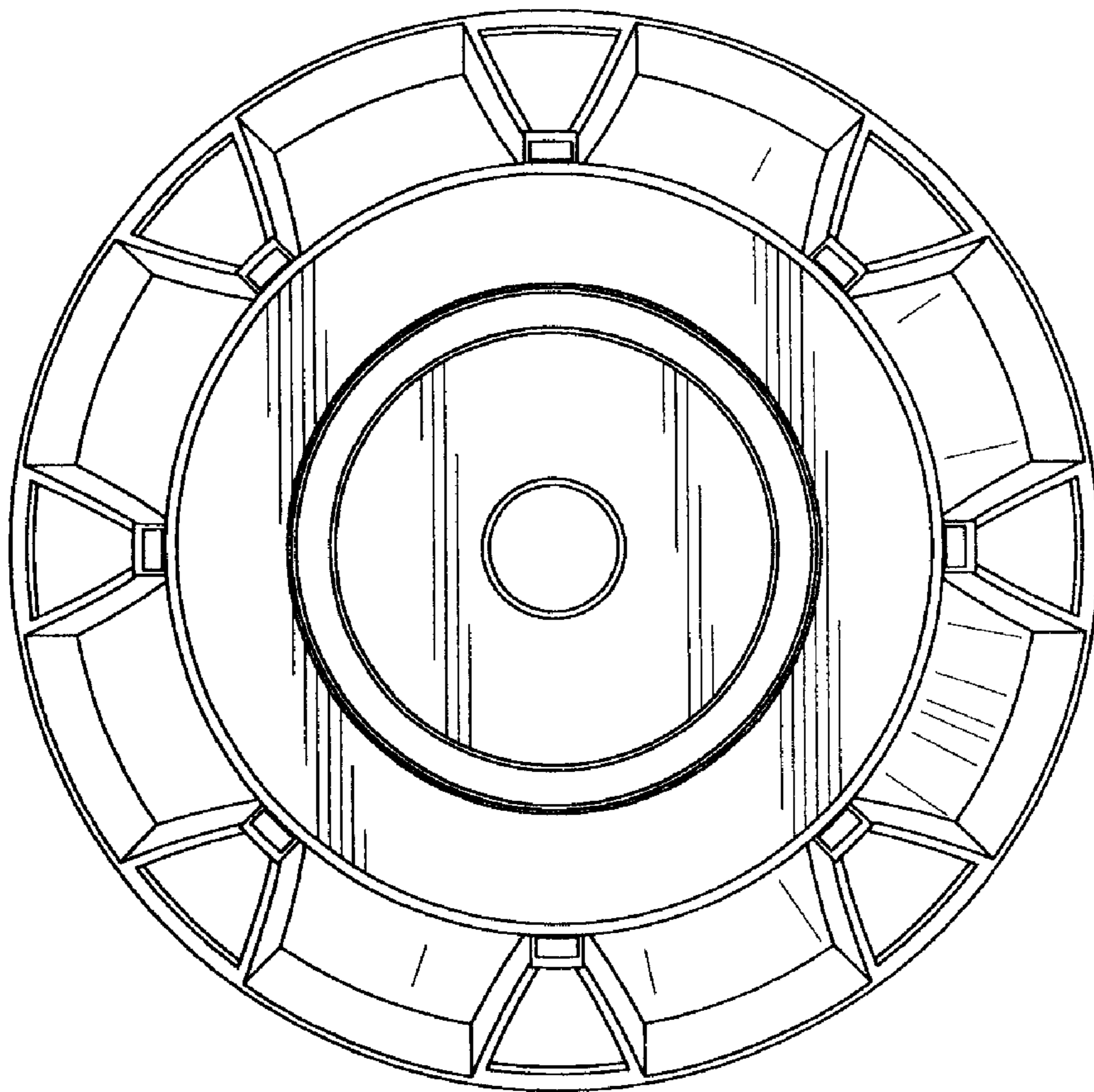


FIG. 7

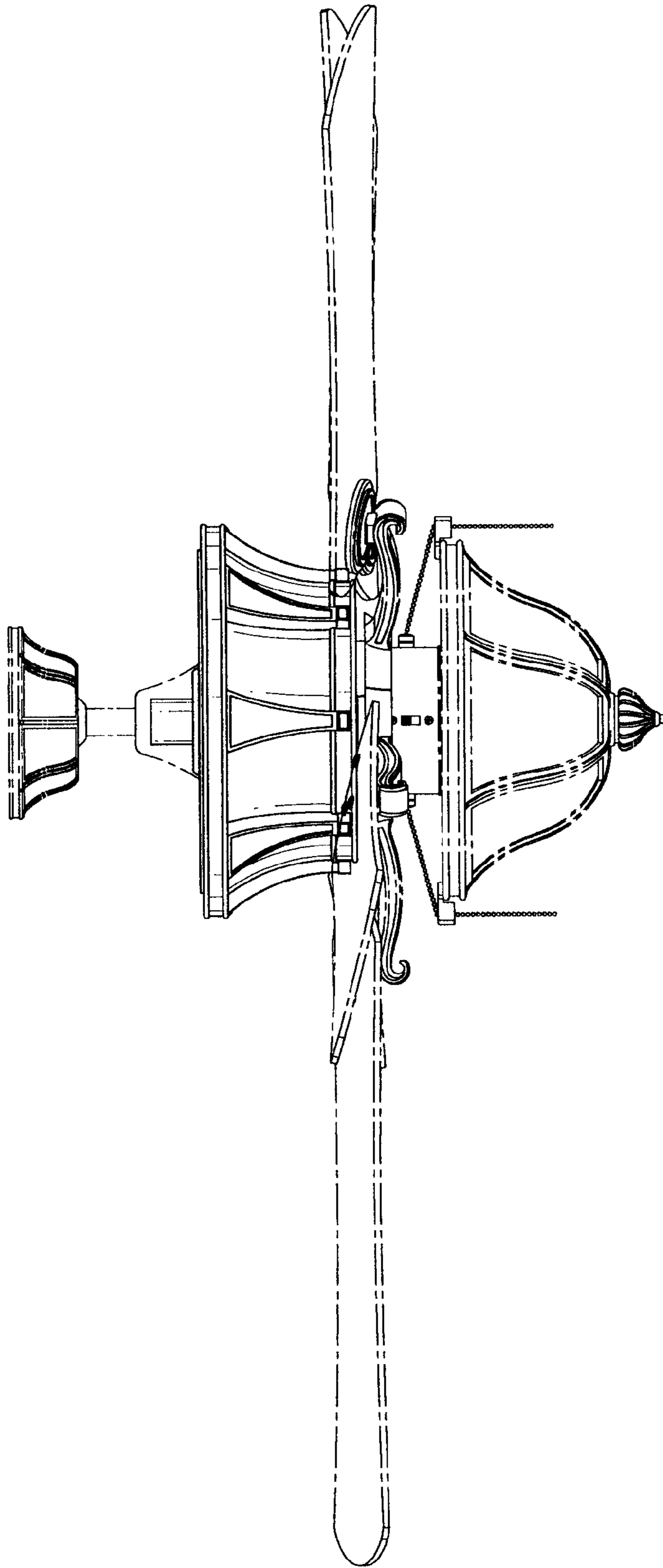


FIG. 8