



US00D529599S

(12) **United States Design Patent**
Hills

(10) **Patent No.:** **US D529,599 S**

(45) **Date of Patent:** **** Oct. 3, 2006**

(54) **DECORATIVE FIREPLACE**

(75) Inventor: **Douglas Ernest Hills**, Cloverdale (CA)

(73) Assignee: **FPI Fireplace Products International Ltd.**, Delta (CA)

(**) Term: **14 Years**

(21) Appl. No.: **29/246,060**

(22) Filed: **Jan. 18, 2006**

Related U.S. Application Data

(63) Continuation of application No. 29/209,503, filed on Jul. 16, 2004, now abandoned.

(51) **LOC (8) Cl.** **23-04**

(52) **U.S. Cl.** **D23/404**

(58) **Field of Classification Search** D23/403-406,
D23/409-410, 415-419, 499, 396-402, 343-347,
D23/350; D25/55, 59, 60; D7/332-335, 339-340,
D7/347-349, 653; D8/DIG. 4; 126/500, 540,
126/543-544, 547; 52/36.3; 16/DIG. 11;
294/14

See application file for complete search history.

(56) **References Cited**

U.S. PATENT DOCUMENTS

D77,935 S	3/1929	Carlson	
D108,136 S	* 1/1938	Baum D23/404
D255,830 S	7/1980	Hansen	
D264,497 S	5/1982	Morande, Jr.	
D267,112 S	11/1982	Connelly	

D281,901 S	12/1985	Demrick et al.	
D297,099 S	8/1988	Poilane	
D300,779 S	* 4/1989	Smith D23/404
D301,736 S	* 6/1989	Heger D23/404
D301,924 S	6/1989	Craver	
D311,574 S	* 10/1990	Syme et al. D23/345
D327,735 S	* 7/1992	Smith et al. D23/345
D344,329 S	2/1994	Patel	
D345,012 S	3/1994	Patel	
D464,421 S	10/2002	Caldwell	
D464,422 S	10/2002	Caldwell	
D465,023 S	10/2002	Caldwell	
D489,807 S	5/2004	Rumens	
D499,681 S	12/2004	Boyer	
D507,346 S	7/2005	Rumens	

* cited by examiner

Primary Examiner—Sandra S. Snapp

(74) *Attorney, Agent, or Firm*—Snell & Wilmer L.L.P.

(57) **CLAIM**

The ornamental design for the decorative fireplace, as shown and described.

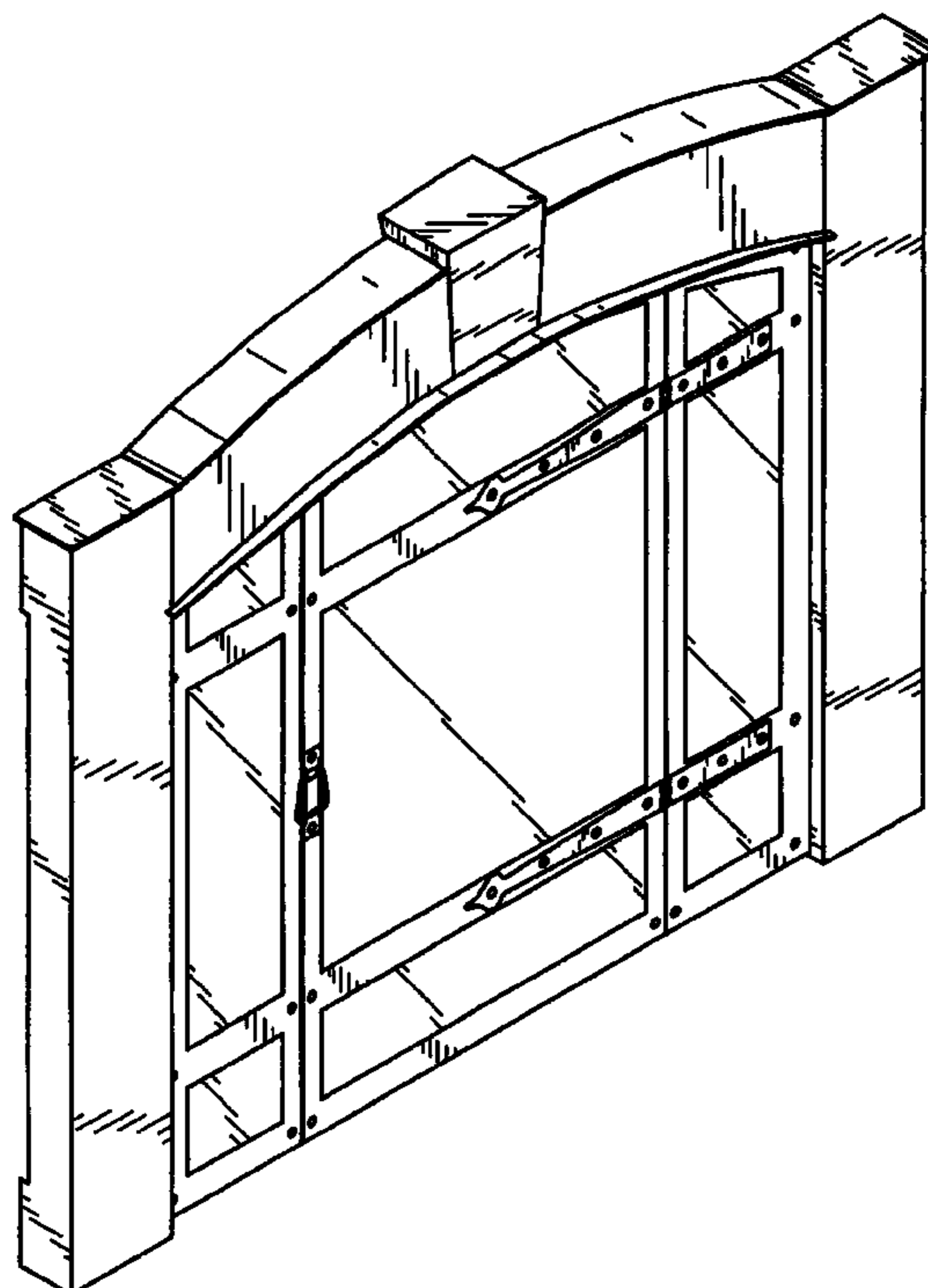
DESCRIPTION

FIG. 1 is a perspective view depicting a new design for a decorative fireplace, with no claim being made to the bottom or rear of the fireplace;

FIG. 2 is a front elevation view of the decorative fireplace; FIG. 3 is a side elevation view of the decorative fireplace; and,

FIG. 4 is a top plan view of the decorative fireplace.

1 Claim, 2 Drawing Sheets



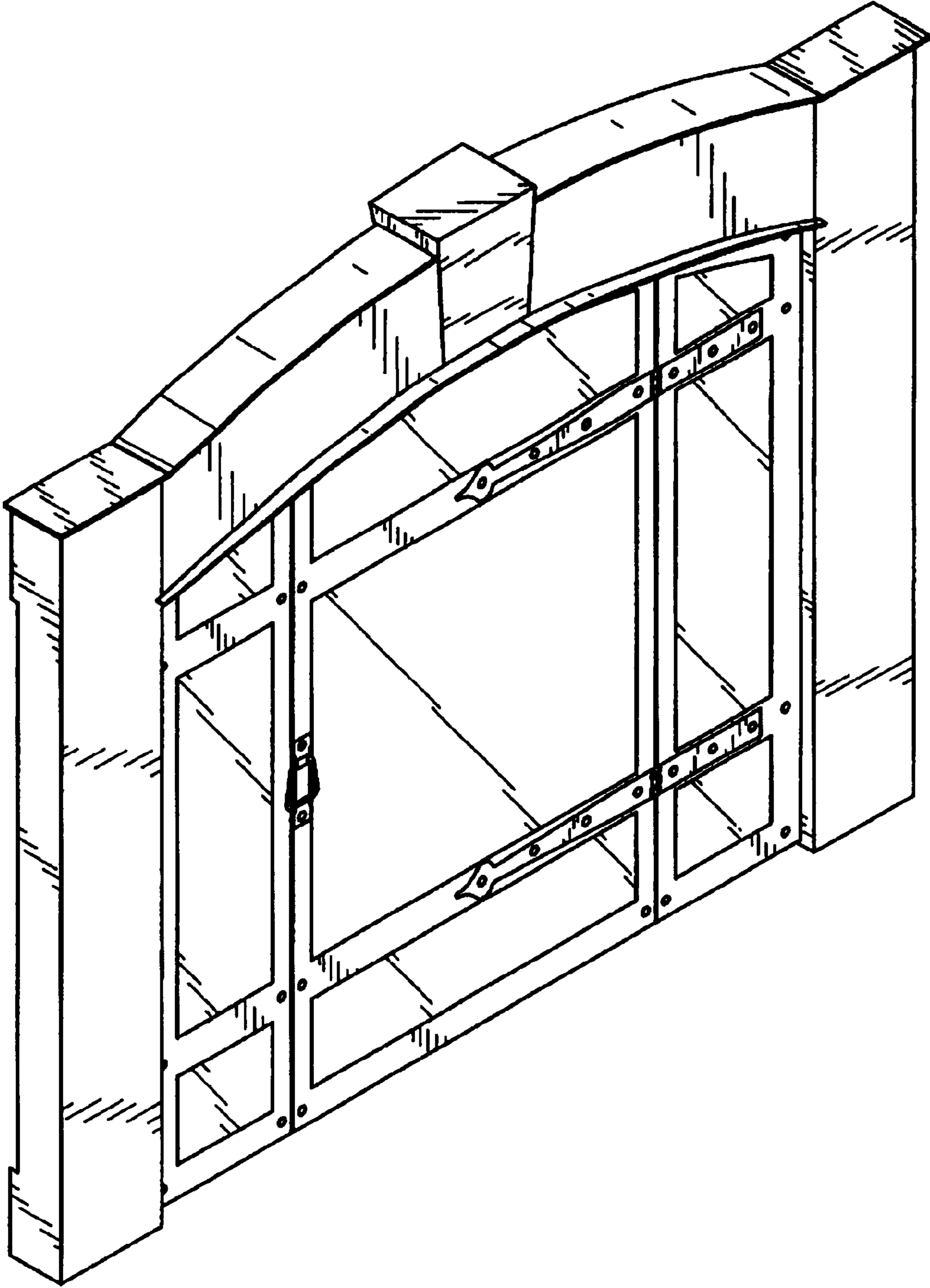


FIG.1

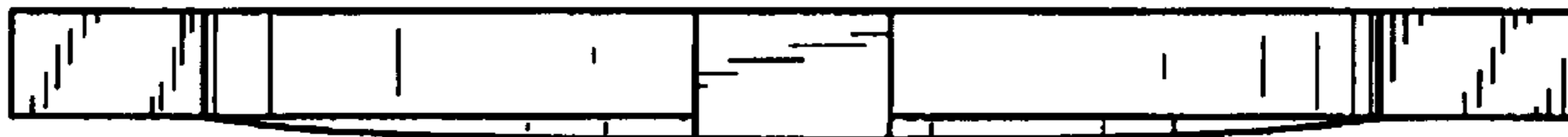


FIG. 4

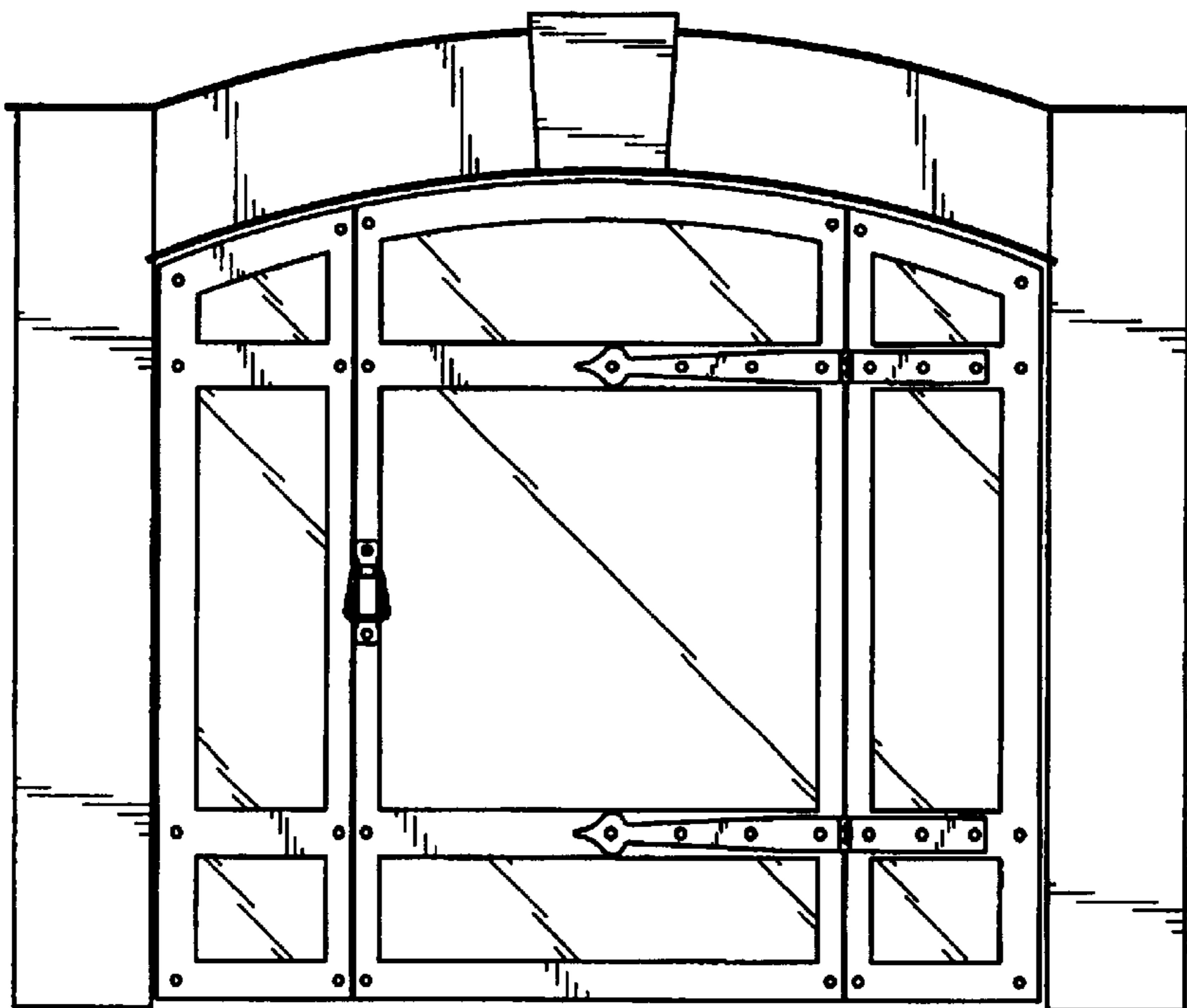


FIG. 2



FIG. 3