

US00D529598S

(12) **United States Design Patent** (10) **Patent No.:** **US D529,598 S**
Sandman et al. (45) **Date of Patent:** **** Oct. 3, 2006**

(54) **PORTION OF DUCTWORK**
(75) Inventors: **Michael N. Sandman**, Morrow, OH (US); **Joseph P. Sandman**, Morrow, OH (US)
(73) Assignee: **Langdon Incorporated**, Cincinnati, OH (US)
(**) Term: **14 Years**
(21) Appl. No.: **29/226,140**
(22) Filed: **Mar. 24, 2005**
(51) **LOC (8) Cl.** **23-04**
(52) **U.S. Cl.** **D23/393**
(58) **Field of Classification Search** D23/393, D23/259, 262-263, 386-391; 138/111-117, 138/DIG. 4, DIG. 11, 177; 285/47, 123.15, 285/123.16, 110, 374, 347, 232-234, 123.1, 285/123.3-123.7, 123.9, 122.1, 125.1, 129.1, 285/129.2, 131.1, 132.1, 133.11, 133.3
See application file for complete search history.

SE 13987 7/1973
SE 19819 6/1975
SE 17788 12/1975
SE 382675 2/1976
SE 25473 3/1979
SE 25610 8/1979
SE 26059 11/1979
SE 26995 11/1979

Primary Examiner—Catherine R. Oliver
(74) *Attorney, Agent, or Firm*—Wood, Herron & Evans, LLP

(57) **CLAIM**

The ornamental design for a portion of ductwork, as shown and described.

DESCRIPTION

The present application is related to U.S. Ser. No. 11/088,541, entitled Gasket Sealing System for Ductwork and U.S. Design Ser. No. 29/226,157, entitled Portion of Ductwork, filed on even date herewith.

FIG. 1 is a perspective view of a portion of ductwork incorporating the design of our new invention according to a first embodiment;

FIG. 2 is a side view of the portion of ductwork of FIG. 1, the top, bottom and other side views thereof being identical;

FIG. 3 is a front view of the portion of ductwork of FIG. 1;

FIG. 4 is a rear view of the portion of ductwork of FIG. 1;

FIG. 5 is a cross-sectional view taken along line 5—5 of FIG. 4;

FIG. 6 is a perspective view of a portion of ductwork incorporating the design of our new invention according to a second embodiment;

FIG. 7 is a side view of the portion of ductwork of FIG. 6, the top, bottom and other side views thereof being identical;

FIG. 8 is a front view of the portion of ductwork of FIG. 6;

FIG. 9 is a rear view of the portion of ductwork of FIG. 6; and,

FIG. 10 is a cross-sectional view taken along line 10—10 of FIG. 9.

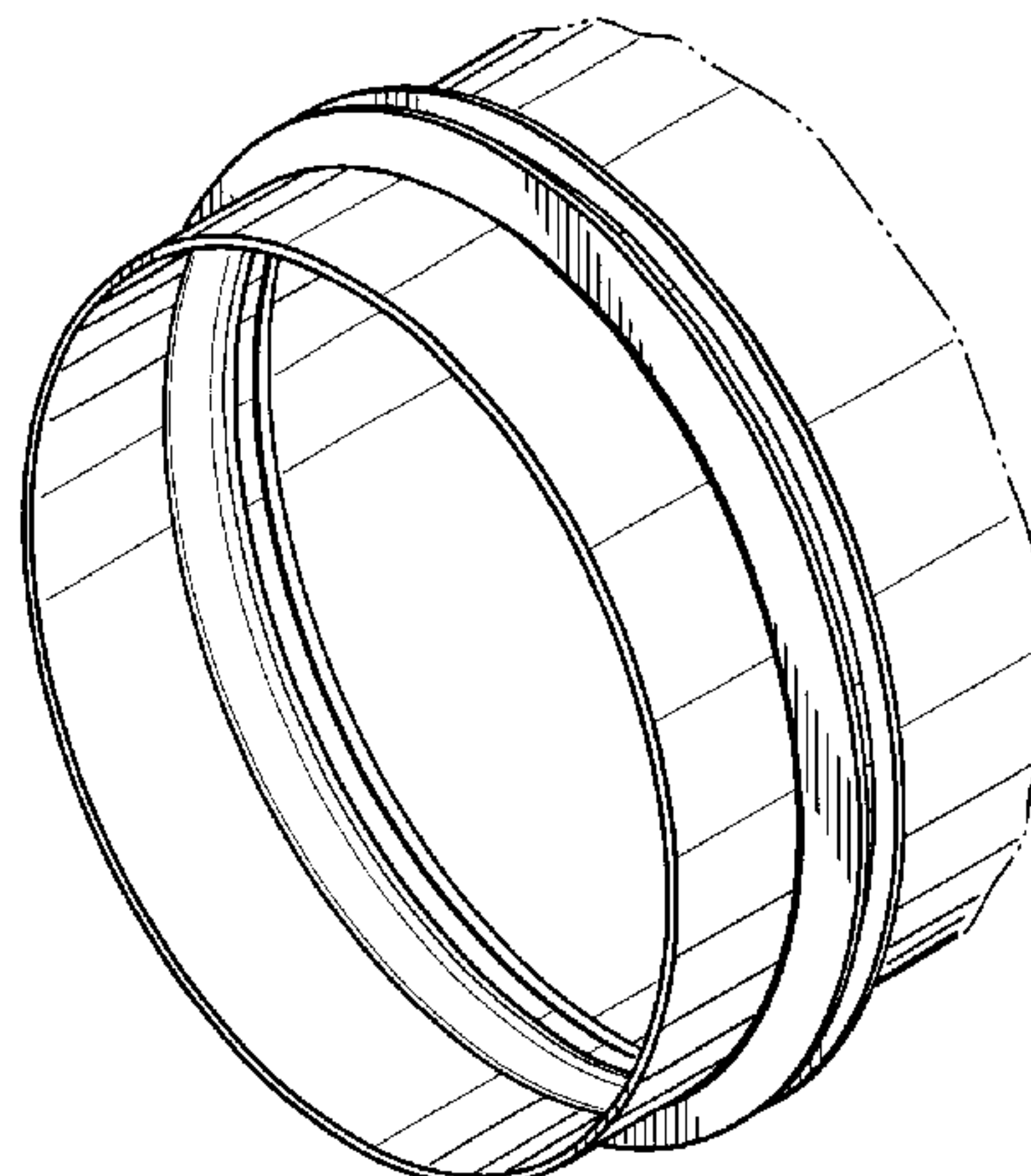
The features of the portion of ductwork shown in phantom lines are not elements of the design of our new invention.

(56) **References Cited**
U.S. PATENT DOCUMENTS
193,847 A 8/1877 Choate 285/183
210,367 A 11/1878 Stern et al. 285/181
244,720 A 7/1881 Hildebrandt 285/181
409,631 A 8/1889 Cooper 285/183
735,644 A 8/1903 Wirtz 285/419
904,199 A 11/1908 Harris 285/382
910,119 A 1/1909 Dunn et al. 285/183

(Continued)

FOREIGN PATENT DOCUMENTS
AT 363743 8/1981
DE 856283 11/1952
DE 954146 12/1956
GB 317678 8/1929
GB 442751 2/1936
GB 1403744 8/1975
GB 1429220 3/1976
GB 2149040 6/1985

1 Claim, 4 Drawing Sheets



US D529,598 S

Page 2

U.S. PATENT DOCUMENTS

997,072 A	7/1911	Mares	285/183	D362,299 S	9/1995	Sonden et al.	D23/262
1,083,002 A	12/1913	Charls	285/411	D362,300 S	9/1995	Sonden et al.	D23/262
2,392,220 A	1/1946	Bruhn et al.	285/182	5,531,460 A	7/1996	Stefansson et al.	277/206 R
2,482,558 A	9/1949	Scaringella	285/211	D377,829 S	2/1997	Andresen	D23/393
2,535,186 A	12/1950	Anderson	285/185	D383,195 S	9/1997	Sonden et al.	D23/262
2,818,084 A	12/1957	Tennison, Jr.	138/74	D386,246 S	11/1997	Sonden et al.	D23/262
2,823,703 A	2/1958	Nusser, Jr.	285/181	D427,667 S	7/2000	Stout, Jr.	D23/262
3,081,102 A	3/1963	Murray et al.	277/168	D427,668 S	7/2000	Stout, Jr.	D23/262
3,111,922 A	11/1963	Hock	113/116	D427,673 S	7/2000	Stout, Jr.	D23/393
3,290,066 A	12/1966	Primich et al.	285/183	D430,482 S	9/2000	Stout, Jr.	D8/382
3,327,945 A	6/1967	Pfister	236/45	D435,090 S	12/2000	Stout, Jr.	D23/269
3,368,830 A	2/1968	French	285/110	D437,034 S	1/2001	Stout, Jr.	D23/269
3,829,107 A	8/1974	Machado et al.	277/207	6,170,883 B1	1/2001	Mattsson et al.	285/110
D234,462 S	3/1975	Ahlrot	D23/262	D446,298 S	8/2001	Thurman	D23/393
3,955,834 A	5/1976	Ahlrot	285/110	D447,223 S	8/2001	Mattsson et al.	D23/269
4,007,941 A	2/1977	Stancati	277/178	D456,071 S	4/2002	Mattsson et al.	D23/393
4,050,703 A	9/1977	Tuvelsson et al.	277/207 A	6,431,609 B1	8/2002	Andersson	285/24
4,186,932 A	2/1980	Emhardt et al.	277/207 A	D466,652 S	12/2002	Thurman	D29/393
4,288,111 A	9/1981	Feutz	285/183	D475,130 S	5/2003	Stout, Jr.	D23/393
4,368,894 A	1/1983	Parmann	277/166	D475,447 S	6/2003	Stout, Jr.	D23/393
4,379,559 A	4/1983	Bohman	277/207 A	D475,448 S	6/2003	Stout, Jr.	D23/393
4,602,793 A	7/1986	Andrick	277/207 A	D475,449 S	6/2003	Stout, Jr.	D23/393
4,850,621 A	7/1989	Umehara	285/322	D475,778 S	6/2003	Stout, Jr.	D23/393
4,902,049 A	2/1990	Umehara	285/347	D475,779 S	6/2003	Stout, Jr.	D23/393
5,340,125 A	8/1994	Brown et al.	277/169	D475,780 S	6/2003	Stout, Jr.	D23/393
5,407,122 A	4/1995	Stefansson et al.	228/212	D476,074 S	6/2003	Stout, Jr.	D23/393
D360,018 S	7/1995	Sonden et al.	D23/262	D501,547 S *	2/2005	Stout, Jr.	D23/393
D360,020 S	7/1995	Sonden et al.	D23/262	D501,548 S *	2/2005	Stout, Jr.	D23/393
D360,021 S	7/1995	Sonden et al.	D23/262	D504,503 S *	4/2005	Thurman	D23/393
D361,829 S	8/1995	Sonden et al.	D23/262				

* cited by examiner

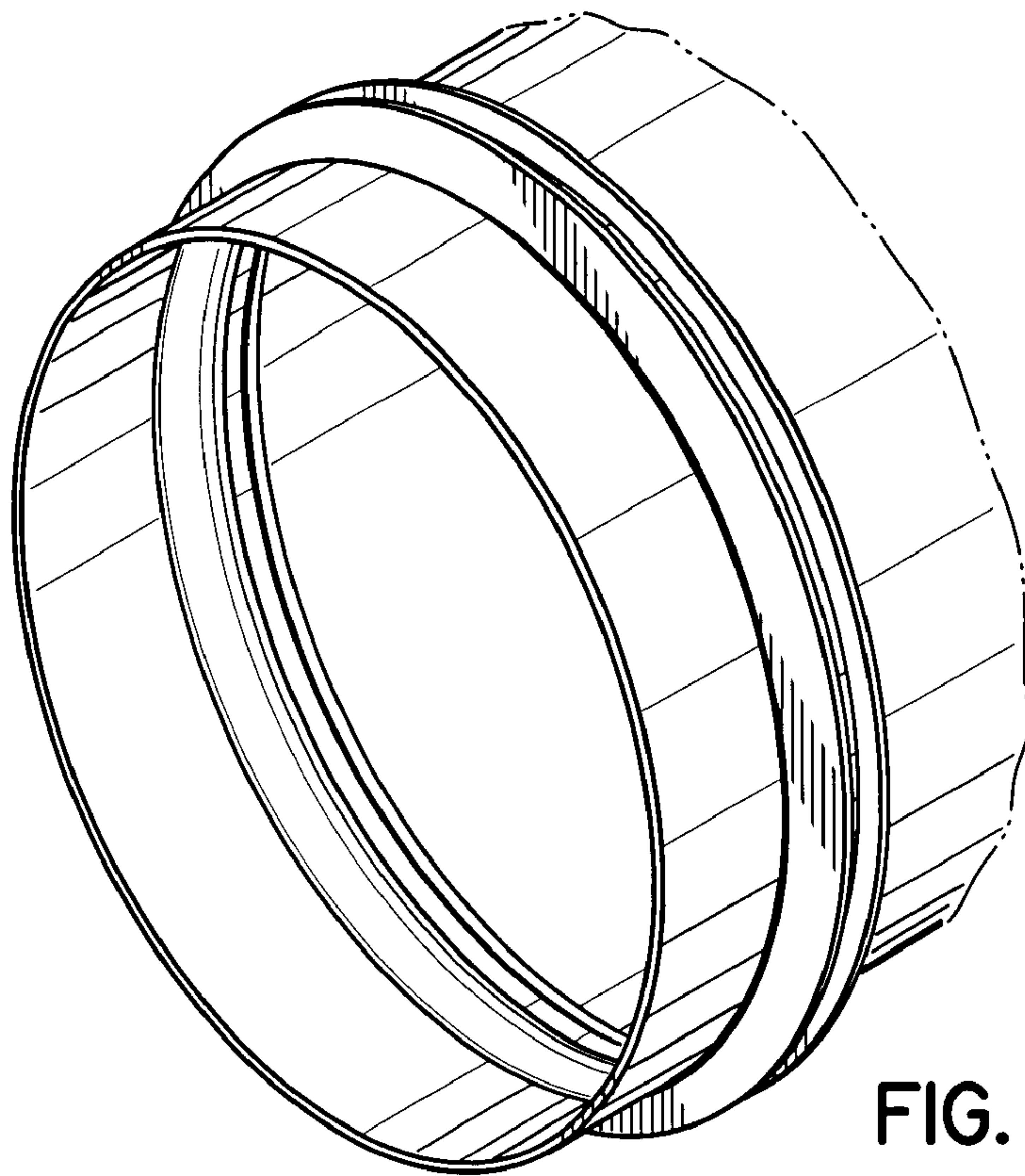


FIG. 1

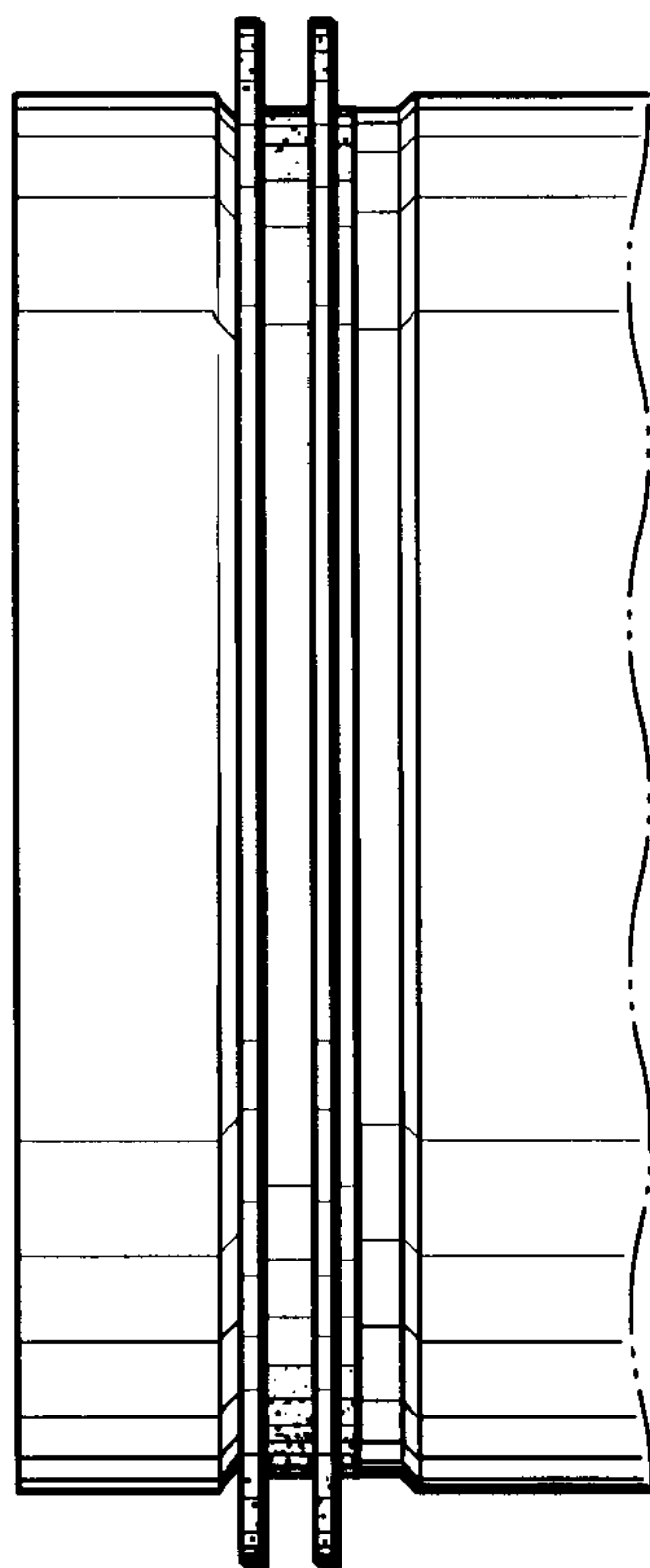


FIG. 2

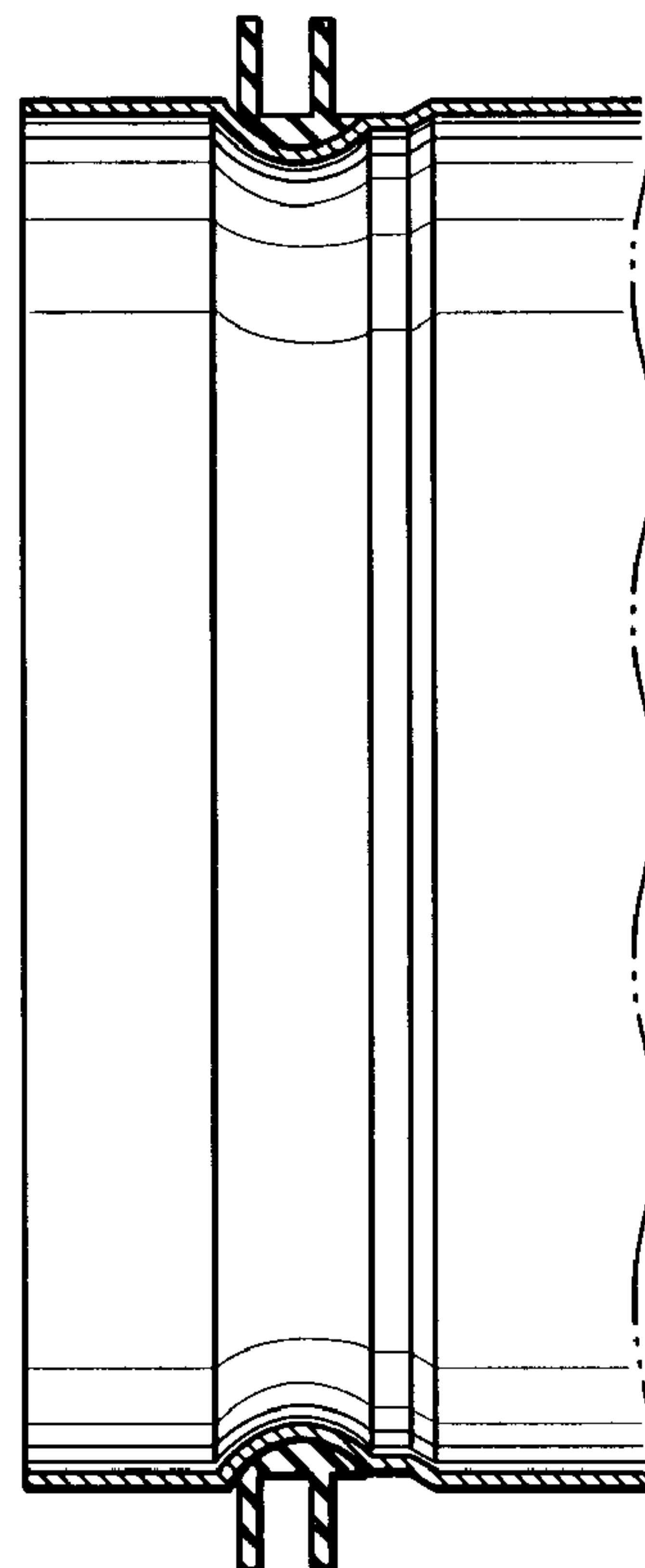


FIG. 5

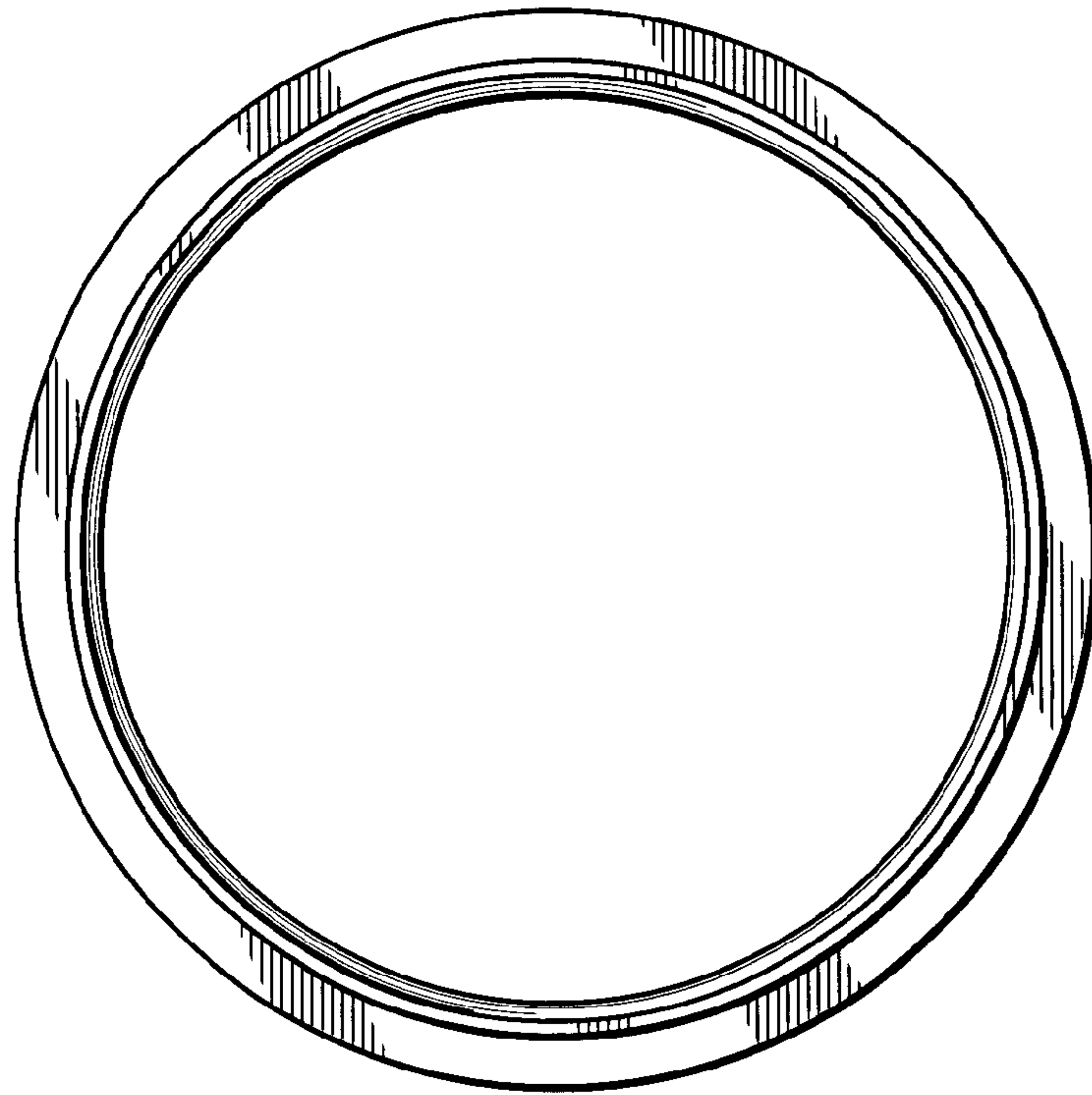
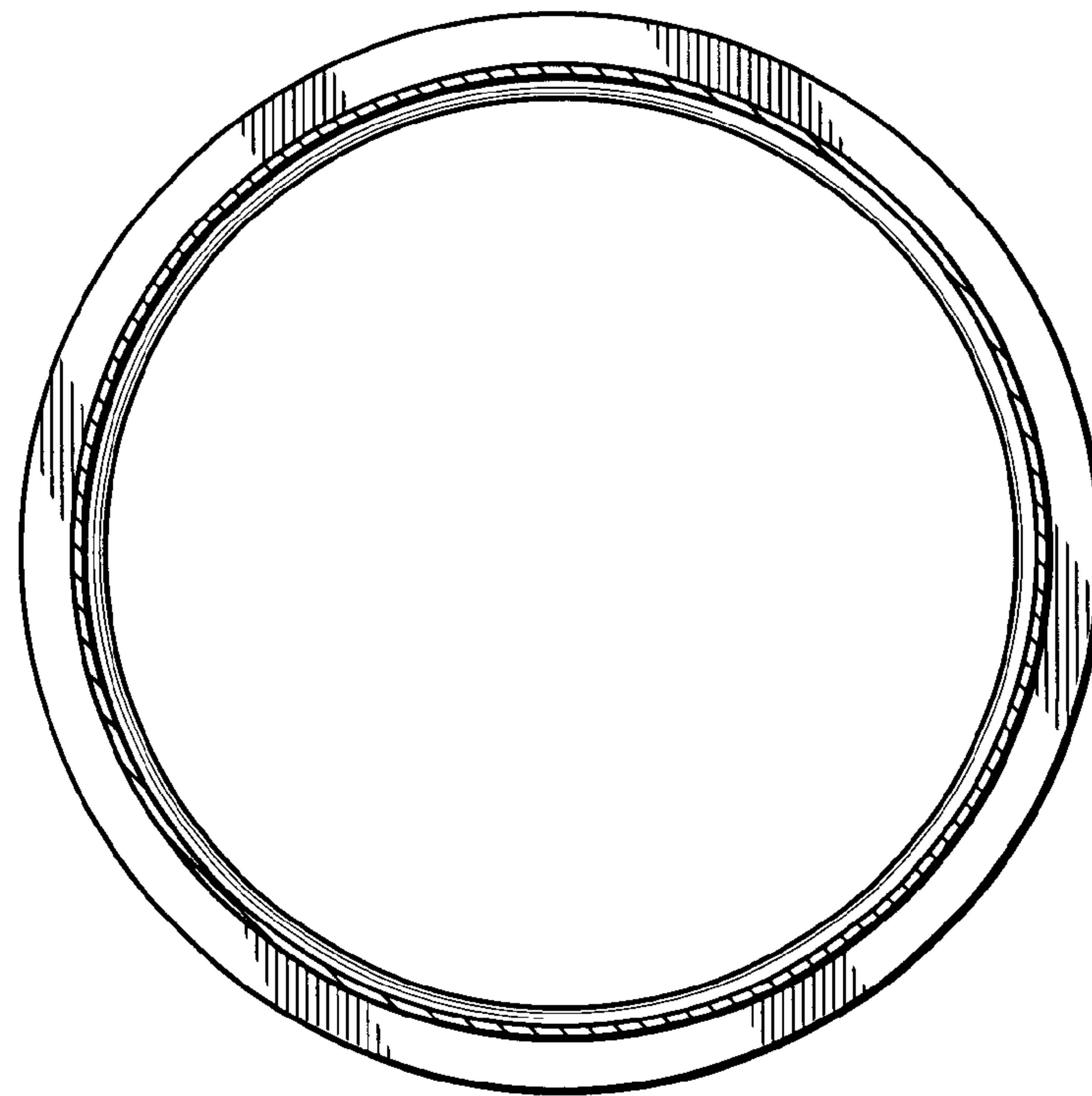


FIG. 3



← 5 FIG. 4

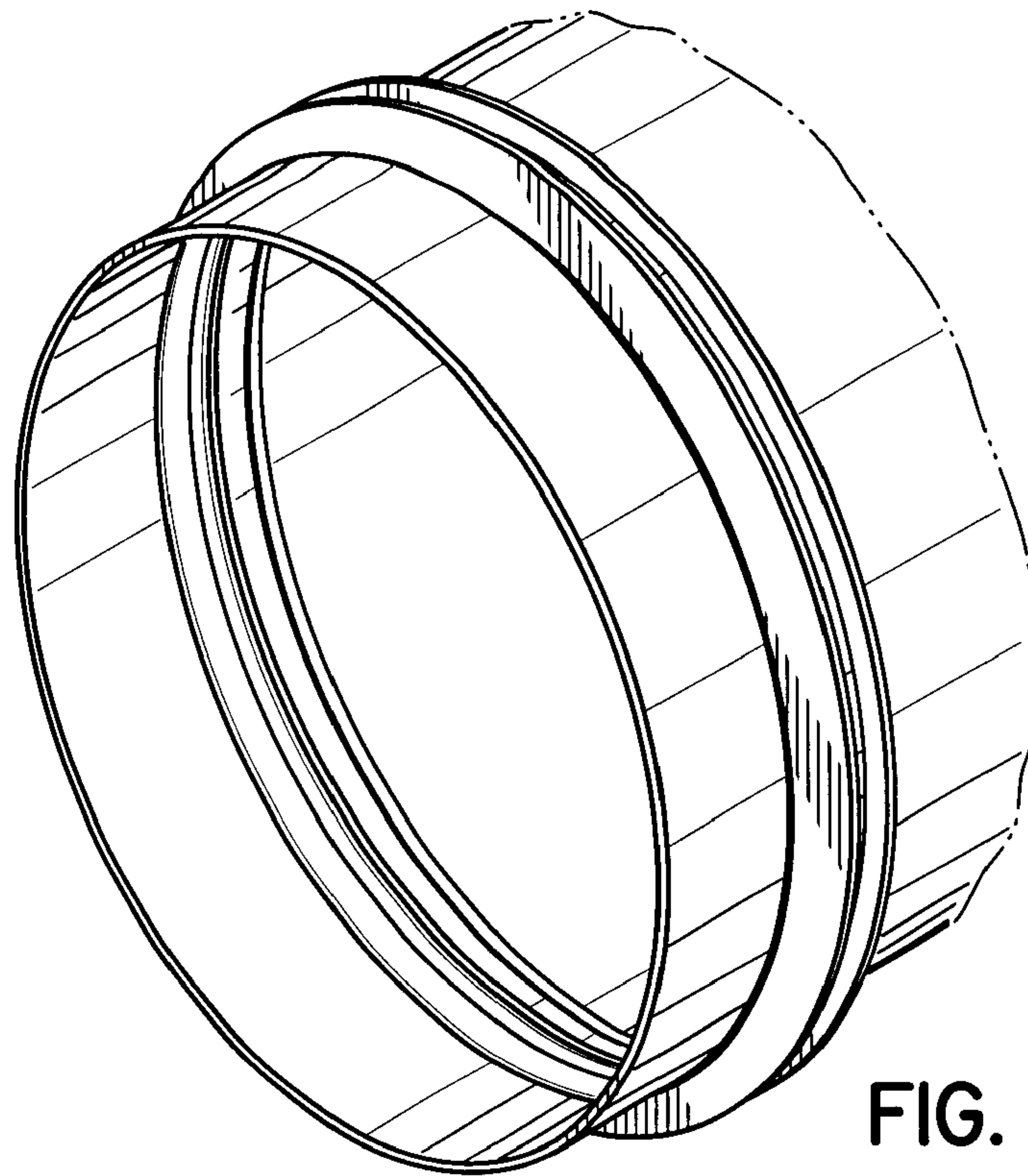


FIG. 6

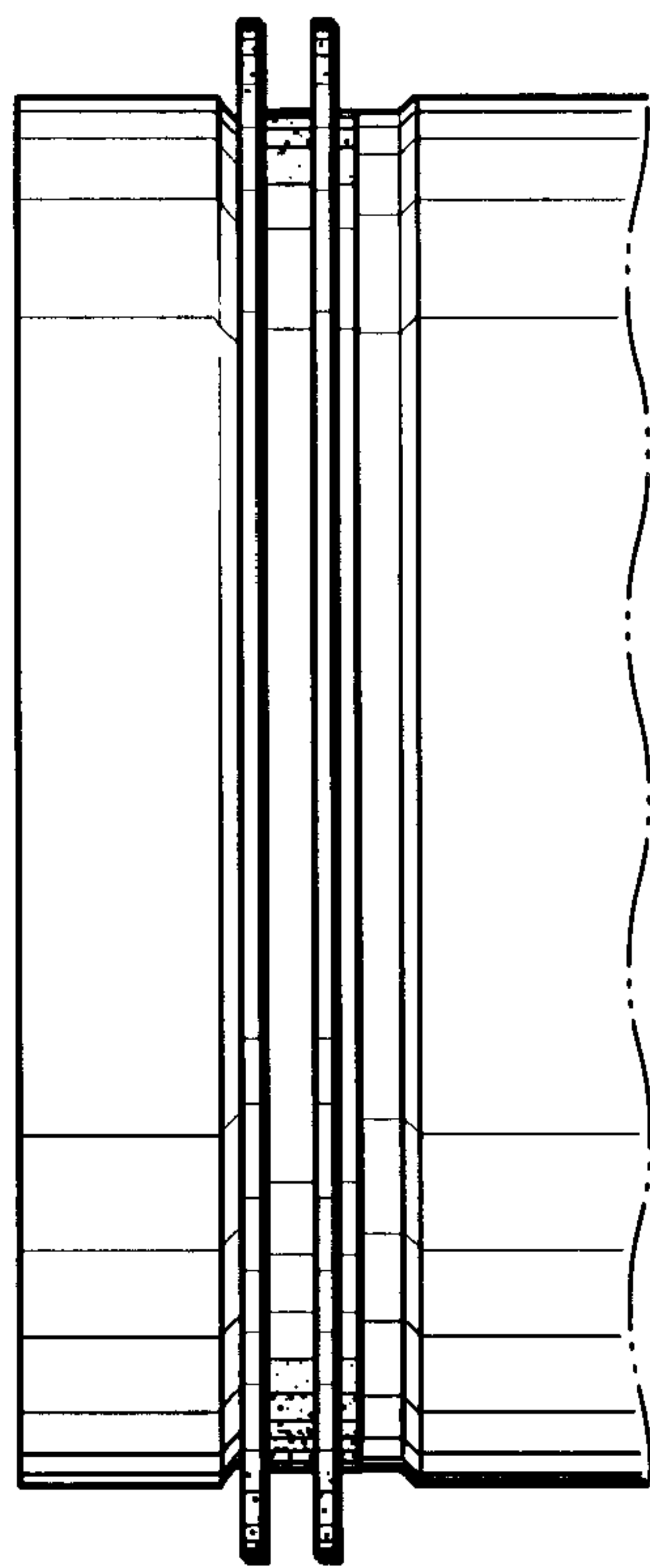


FIG. 7

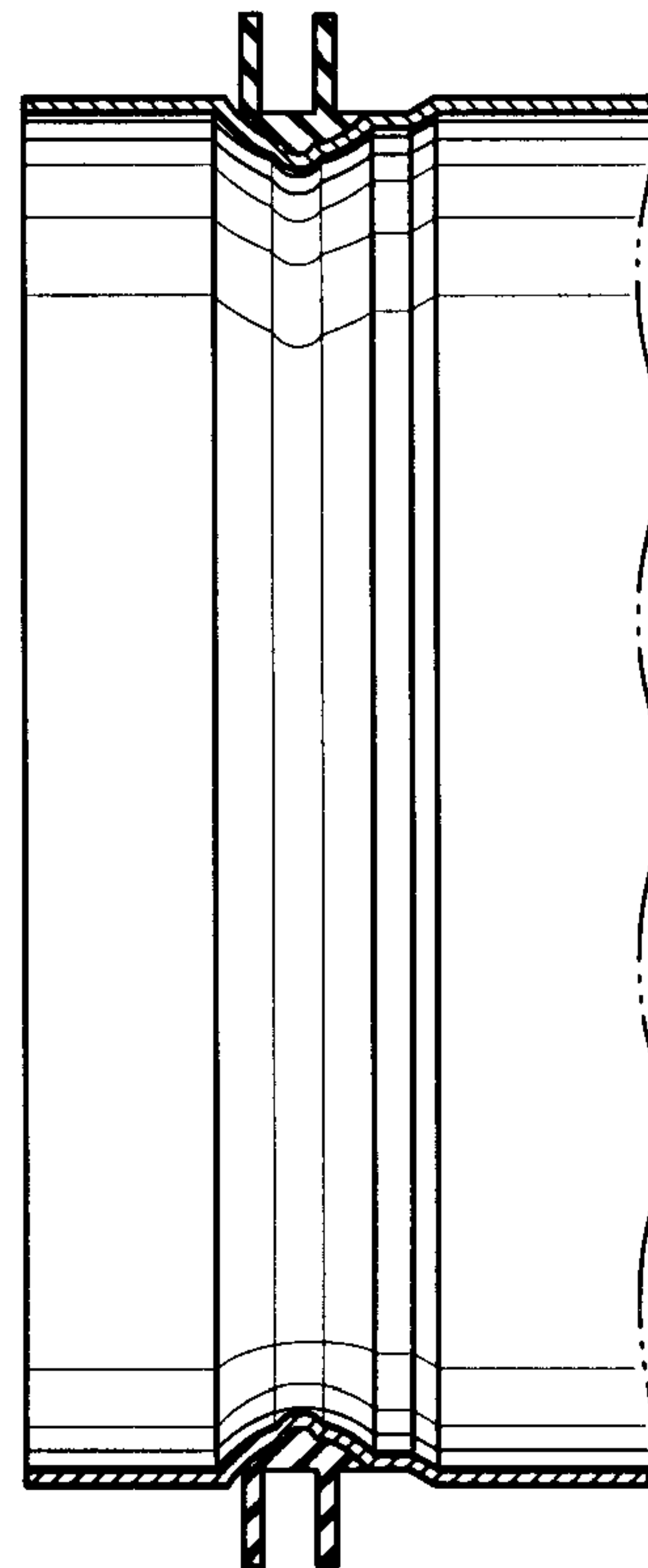


FIG. 10

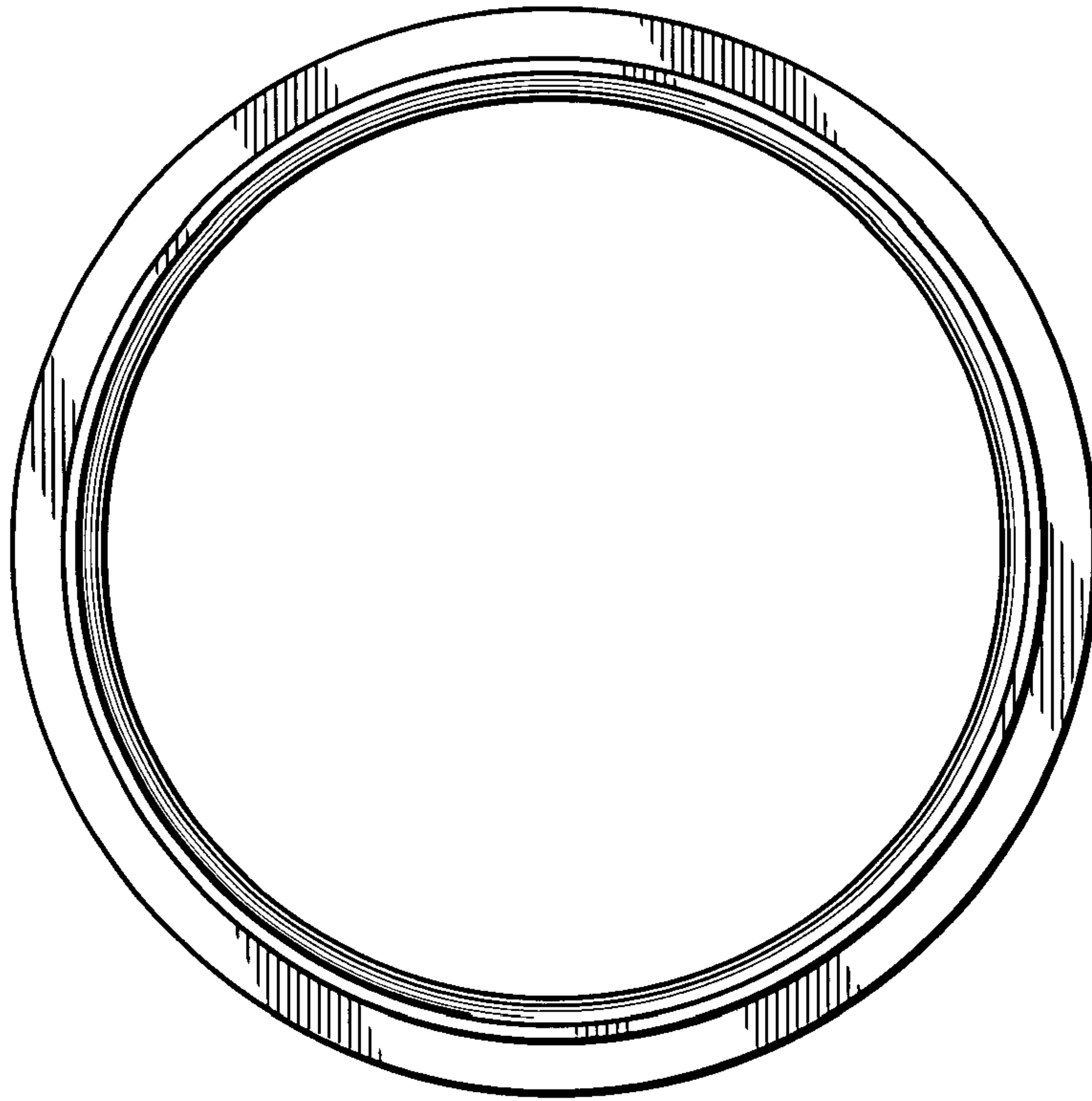
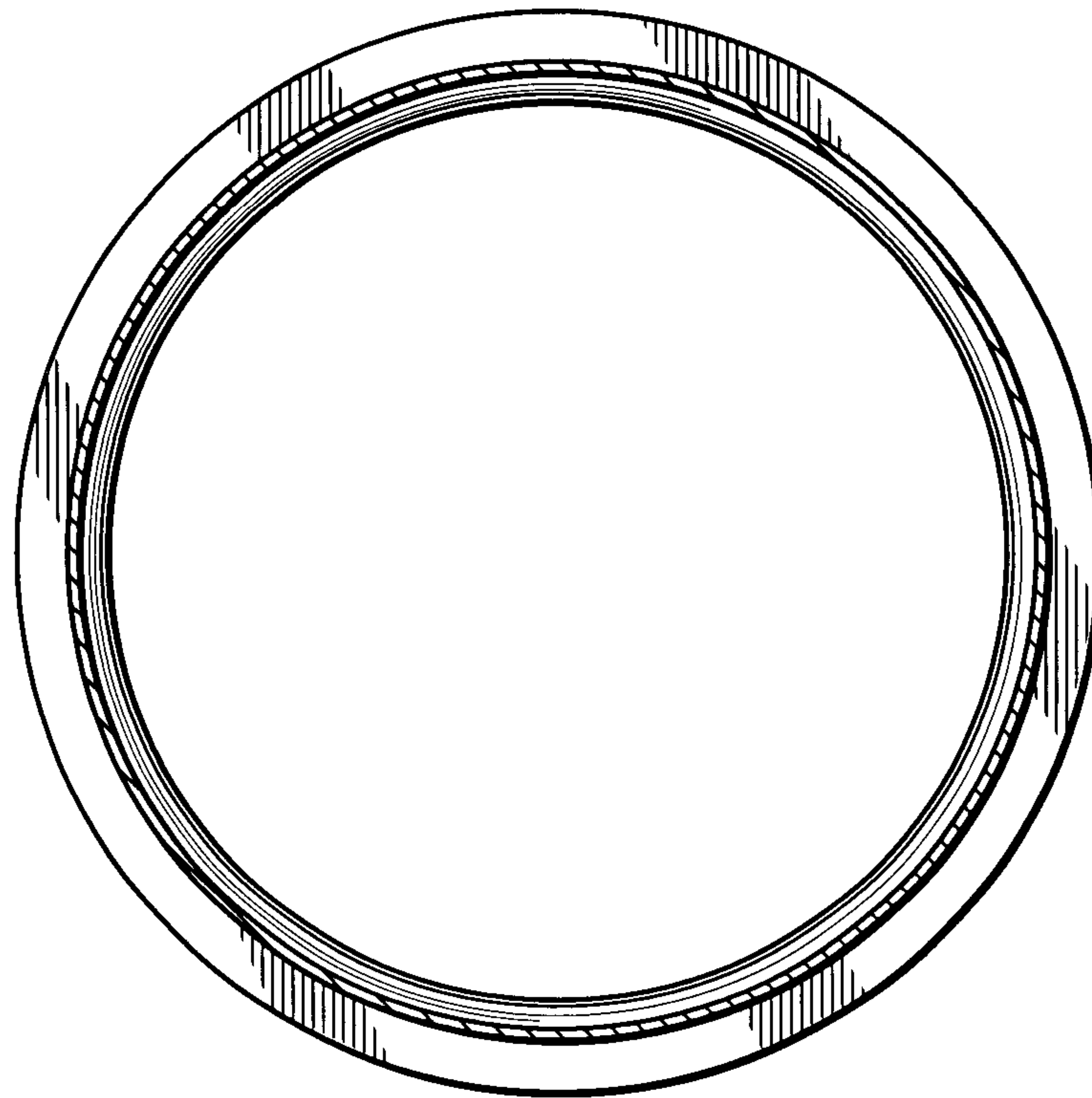
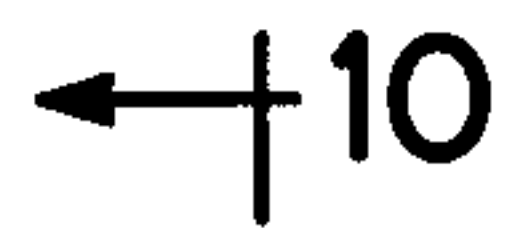


FIG. 8



← 10 FIG. 9