

US00D529597S

(12) **United States Design Patent**
Mombauer

(10) **Patent No.:** **US D529,597 S**

(45) **Date of Patent:** **** Oct. 3, 2006**

(54) **ELECTRIC FAN**

(76) Inventor: **Meinhard Mombauer**, 54,
Toyota-Allee, 50858 Köln (DE)

(**) Term: **14 Years**

(21) Appl. No.: **29/226,536**

(22) Filed: **Mar. 29, 2005**

(30) **Foreign Application Priority Data**

Nov. 12, 2004 (EM) 000253166

(51) **LOC (8) Cl.** **23-04**

(52) **U.S. Cl.** **D23/379**

(58) **Field of Classification Search** D23/370,
D23/379, 411, 413; 416/244 R, 247 R, 246 R,
416/63

See application file for complete search history.

(56) **References Cited**

U.S. PATENT DOCUMENTS

D313,275 S * 12/1990 Aida D23/370

D314,617 S * 2/1991 Yuen D23/370
D394,500 S * 5/1998 Feer D23/332
D435,899 S 1/2001 Melwani

* cited by examiner

Primary Examiner—Lisa Lichtenstein

(74) *Attorney, Agent, or Firm*—Scott R. Hansen; Fulwider
Patton LLP

(57) **CLAIM**

The ornamental design for an electric fan, as shown and
described.

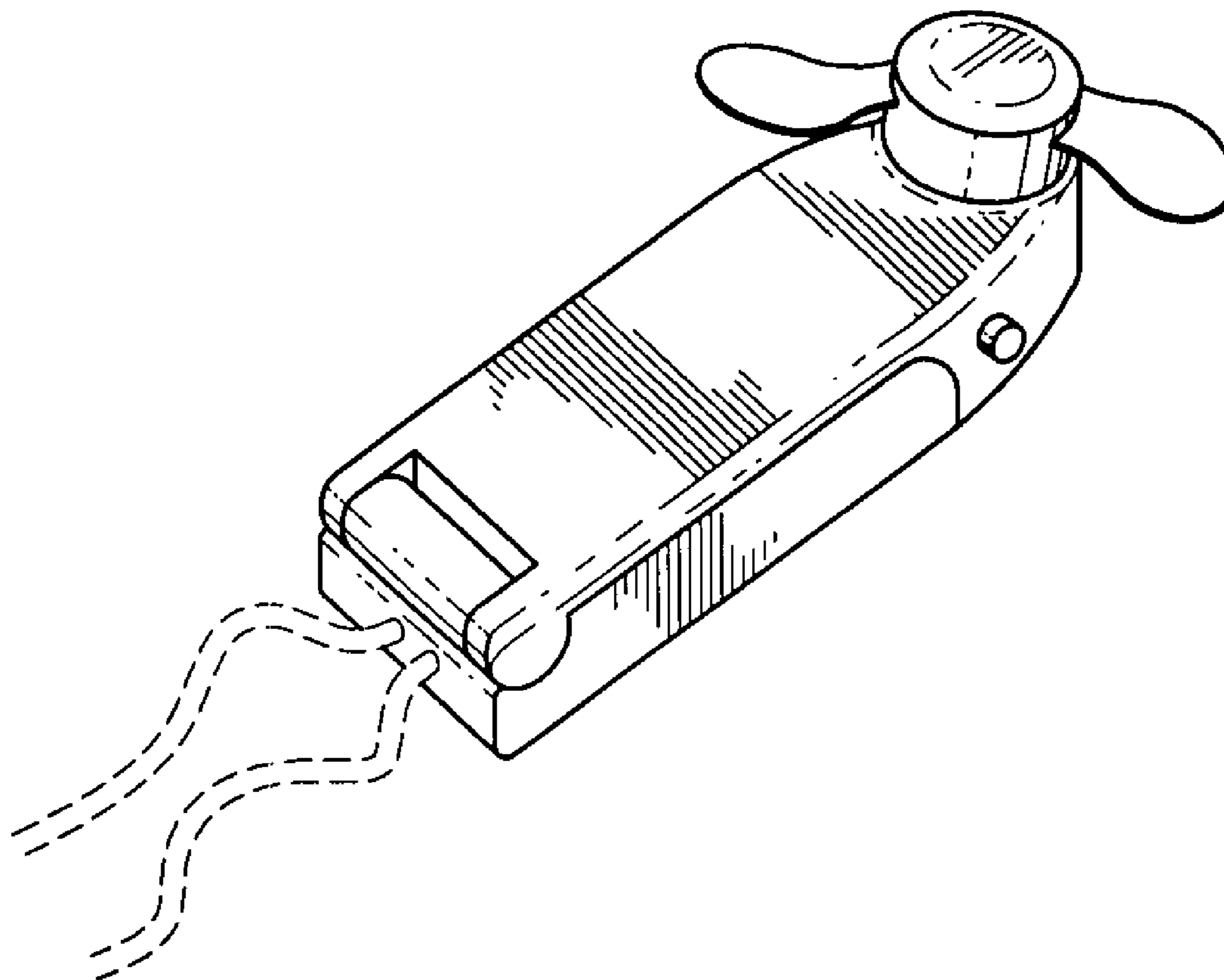
DESCRIPTION

FIG. 1 is a perspective view from the right side of the top of
the fan;

FIG. 2 is a perspective view from the right side of the top of
the fan of FIG. 1 when the fan is partially open; and,

FIG. 3 is a perspective view from the right side of the top of
the fan of FIG. 1 when the fan is opened to a 90 degree
angle.

1 Claim, 1 Drawing Sheet



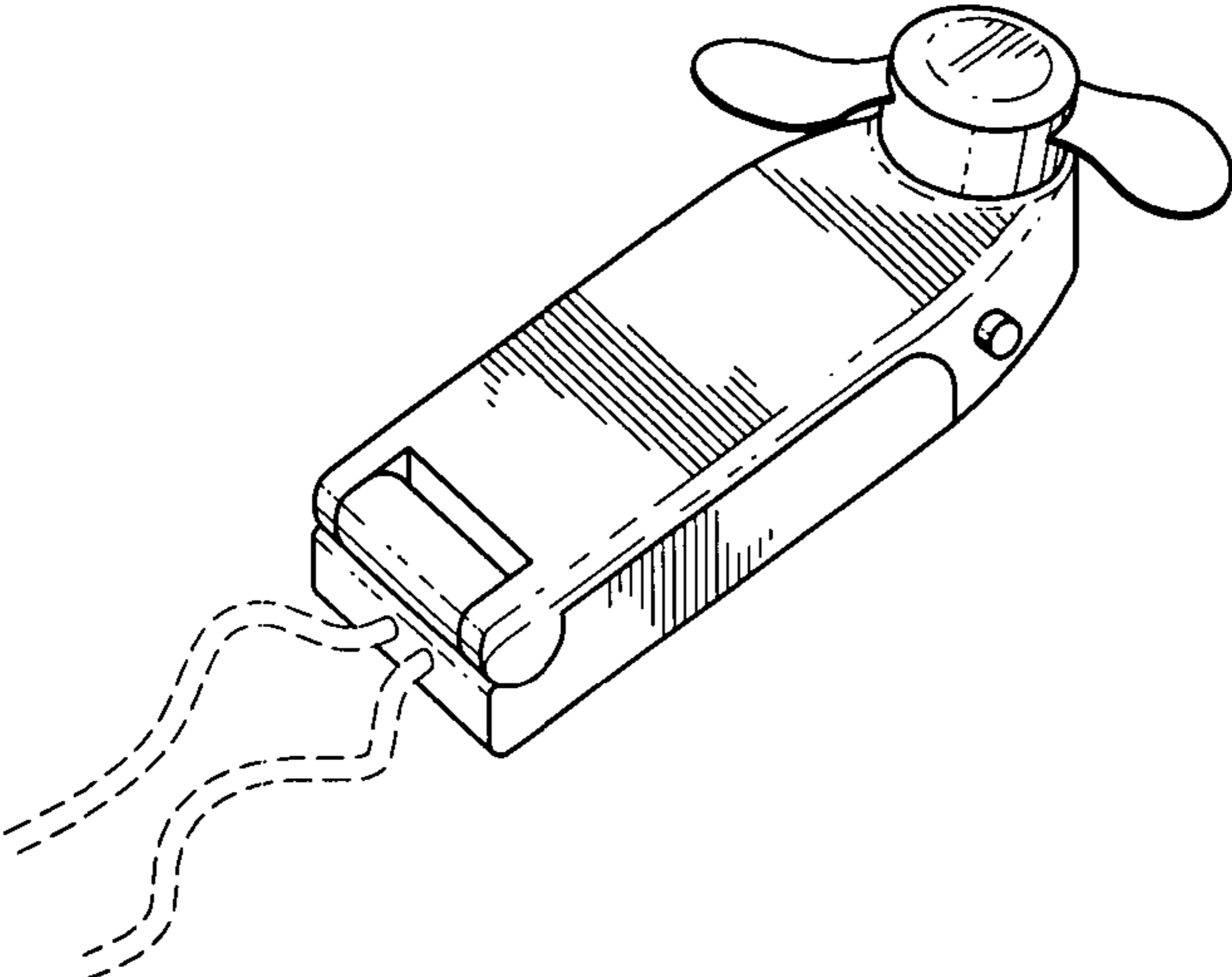


FIG. 1

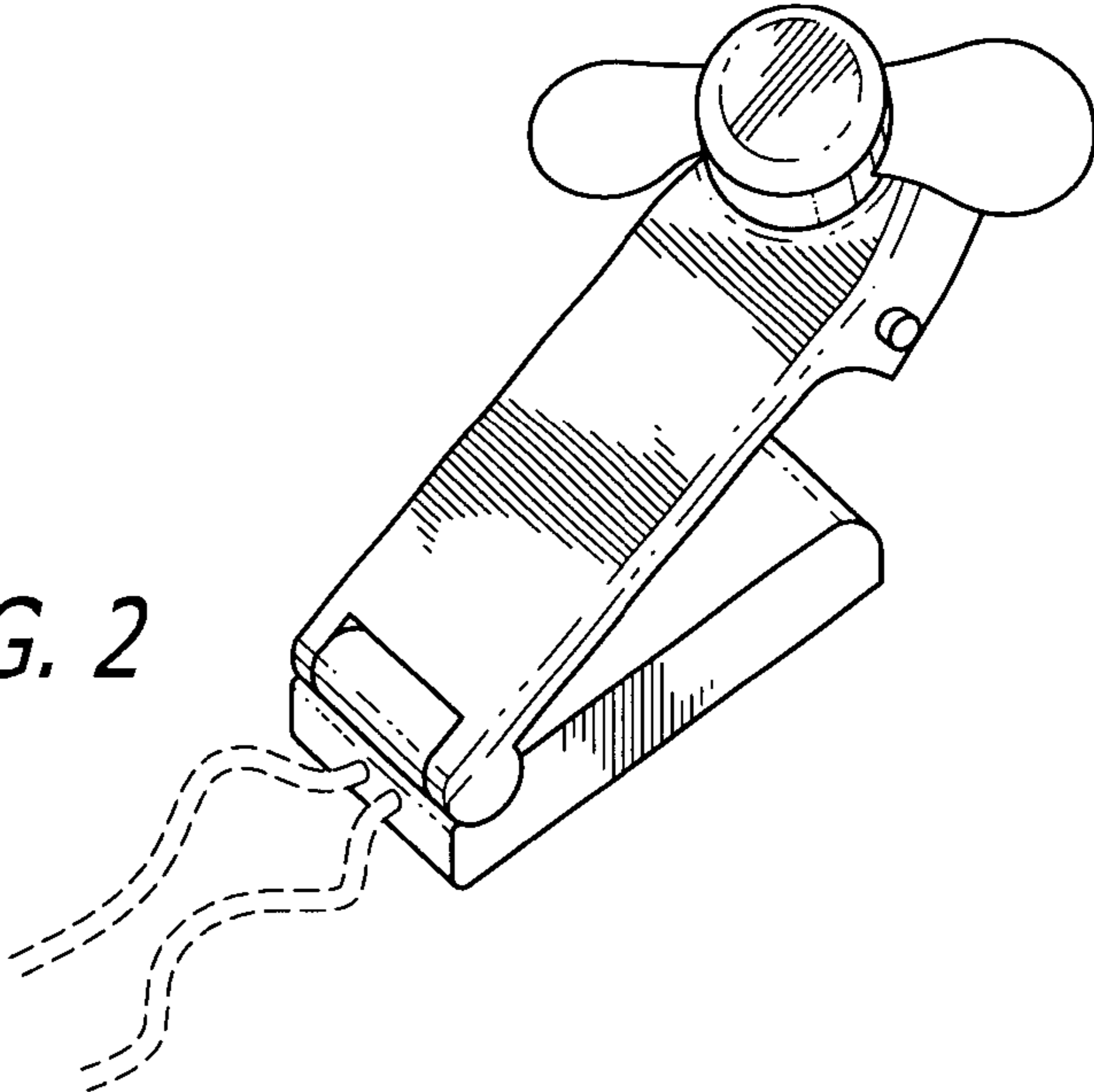


FIG. 2

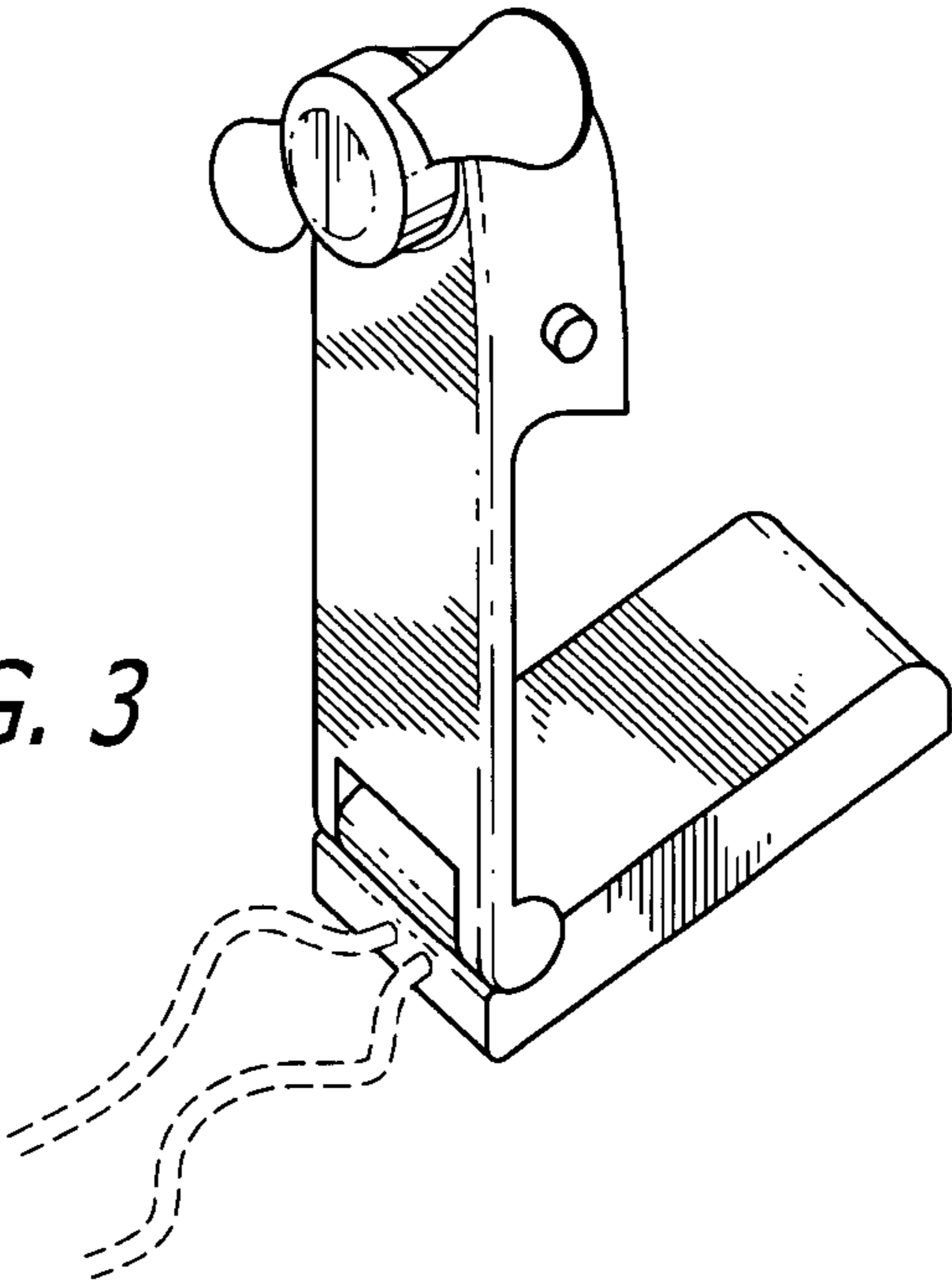


FIG. 3