



US00D529594S

(12) **United States Design Patent**  
**Pruitt**

(10) **Patent No.:** **US D529,594 S**

(45) **Date of Patent:** **\*\* Oct. 3, 2006**

(54) **AIR CONDITIONING UNIT**

D278,847 S \* 5/1985 Hoyle et al. .... D23/351  
D497,421 S \* 10/2004 Knetsch et al. .... D23/353

(75) Inventor: **Roger Pruitt**, Banning, CA (US)

\* cited by examiner

(73) Assignee: **GPM, Inc.**, Fort Worth, TX (US)

*Primary Examiner*—Brian N Vinson

(\*\*) Term: **14 Years**

(74) *Attorney, Agent, or Firm*—Charles D. Gunter, Jr.

(21) Appl. No.: **29/236,695**

(57) **CLAIM**

(22) Filed: **Aug. 19, 2005**

The ornamental design for the air conditioning unit, as shown and described.

(51) **LOC (8) Cl.** ..... **23-04**

**DESCRIPTION**

(52) **U.S. Cl.** ..... **D23/351**

(58) **Field of Classification Search** ..... D23/351-54,  
D23/333; 312/236; 454/201-204; 62/259.1,  
62/259.4, 262-63, 304, 324.1, DIG. 16  
See application file for complete search history.

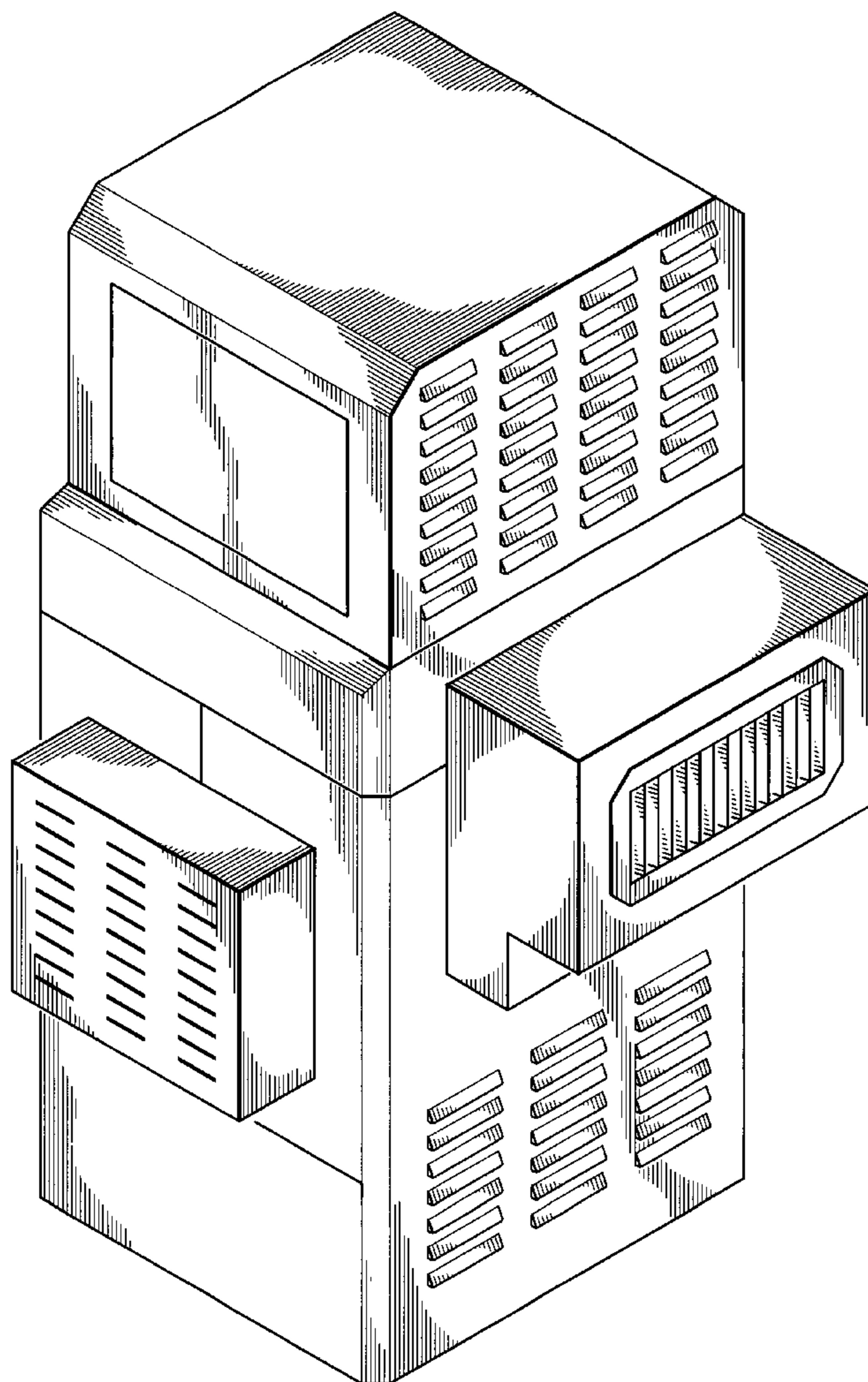
FIG. 1 is a front perspective view of the air conditioning unit of the invention;  
FIG. 2 is a front view of the air conditioning unit of FIG. 1;  
FIG. 3 is a left side view of the air conditioning unit of FIG. 1, the right side view being a mirror image thereof;  
FIG. 4 is a rear view of the air conditioning unit of the invention; and,  
FIG. 5 is a bottom view of the air conditioning unit of FIG. 1.

(56) **References Cited**

**U.S. PATENT DOCUMENTS**

D198,821 S \* 8/1964 Hoyle ..... D23/351  
D252,705 S \* 8/1979 Fessler ..... D23/351

**1 Claim, 3 Drawing Sheets**



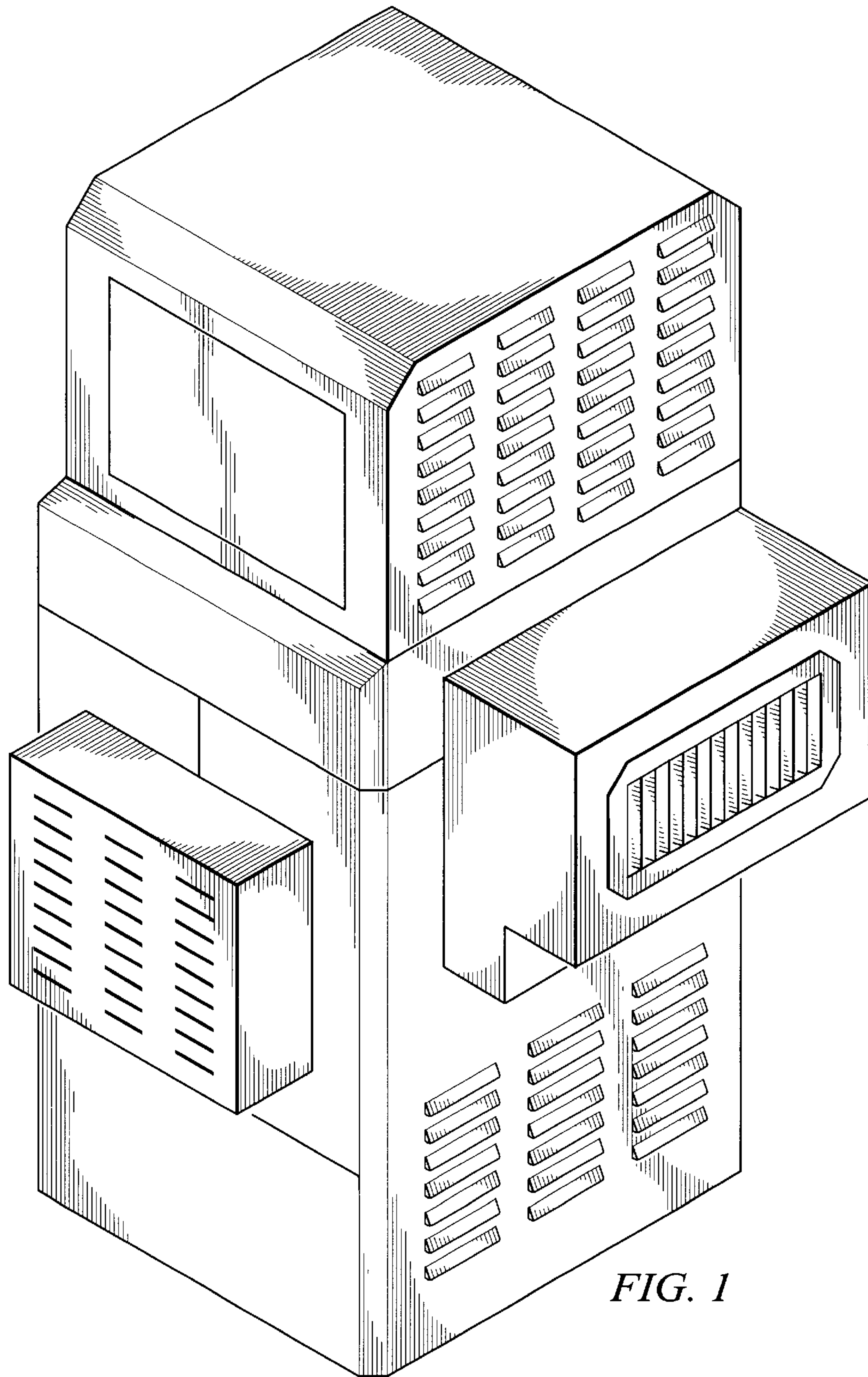


FIG. 1

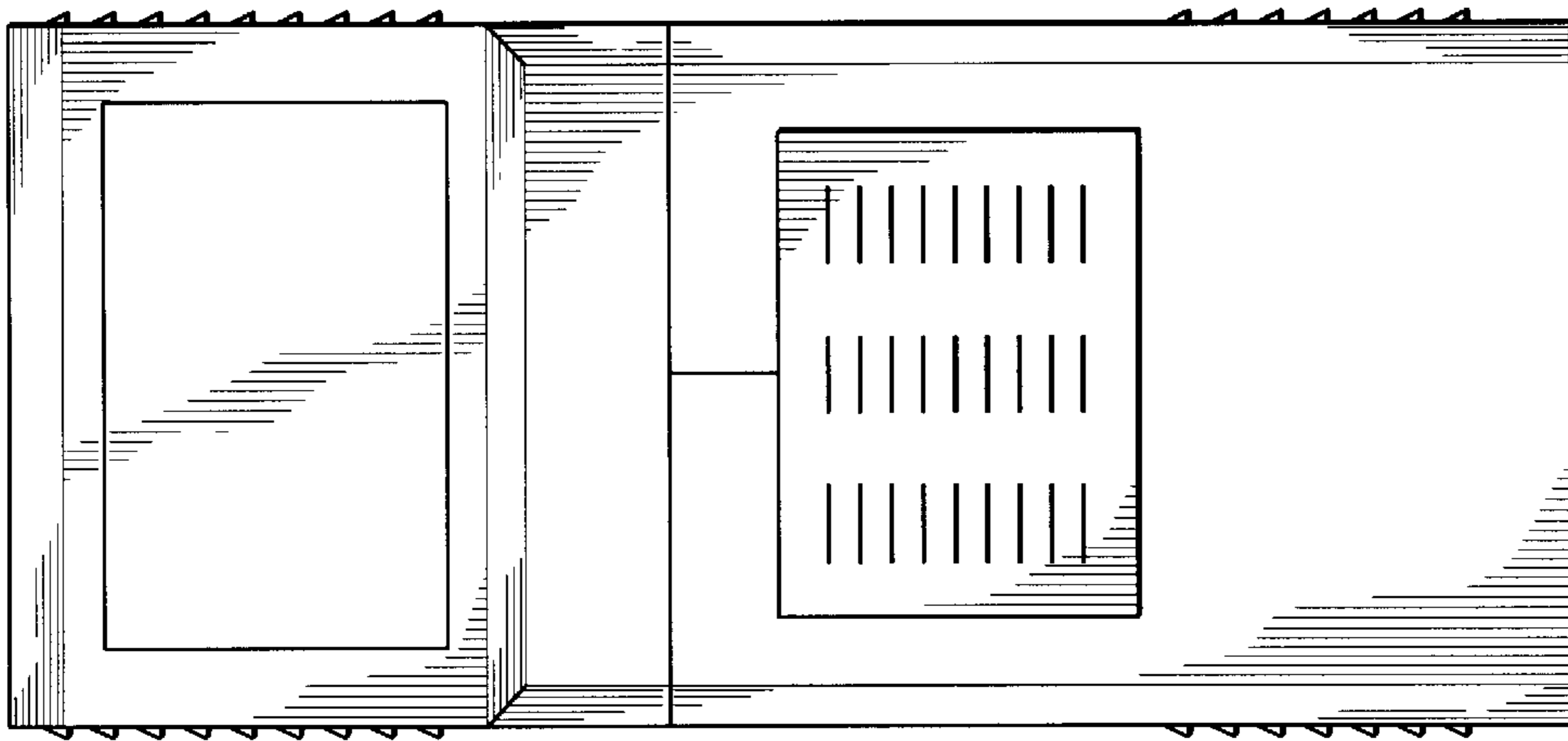


FIG. 3

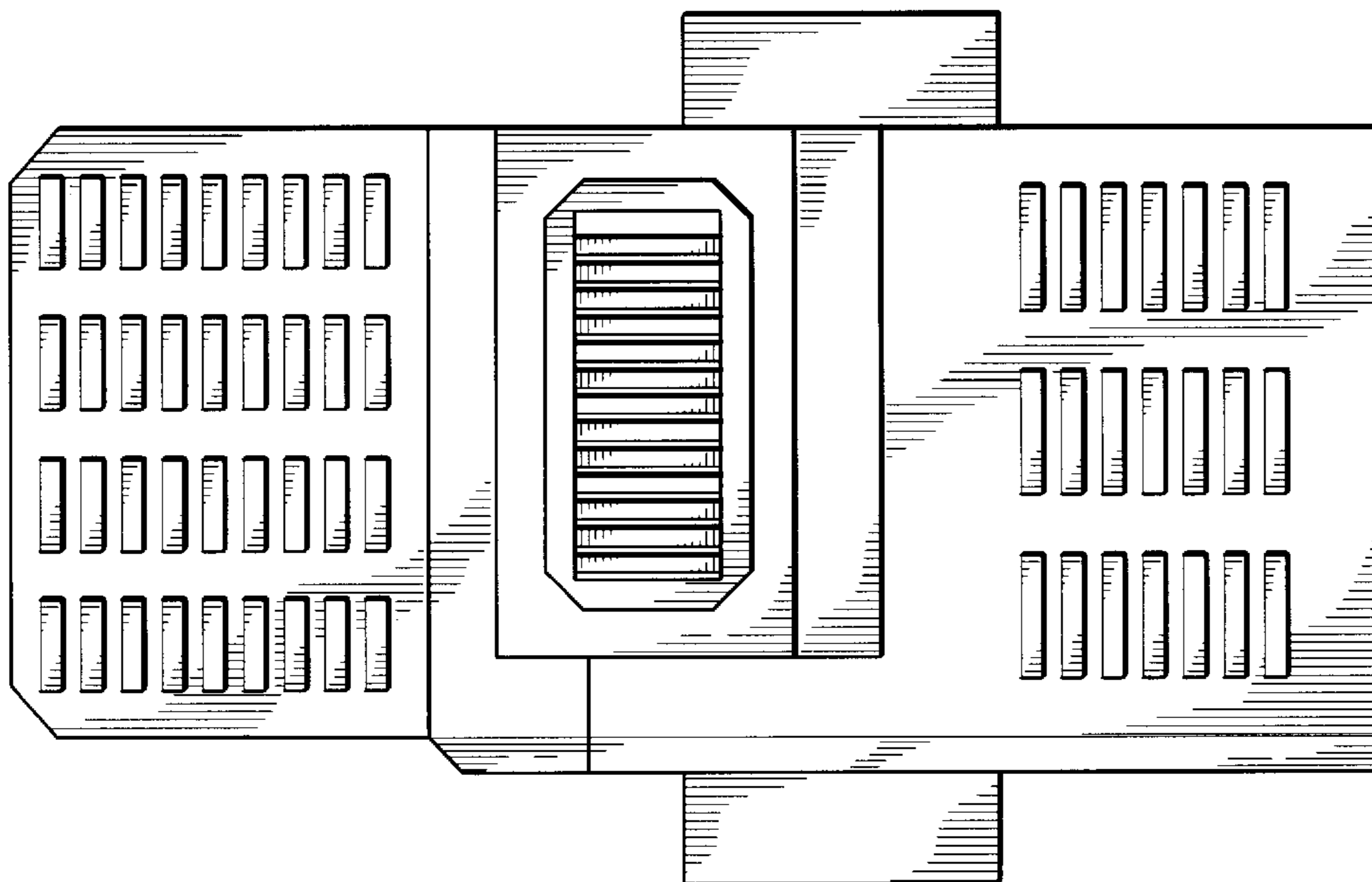


FIG. 2

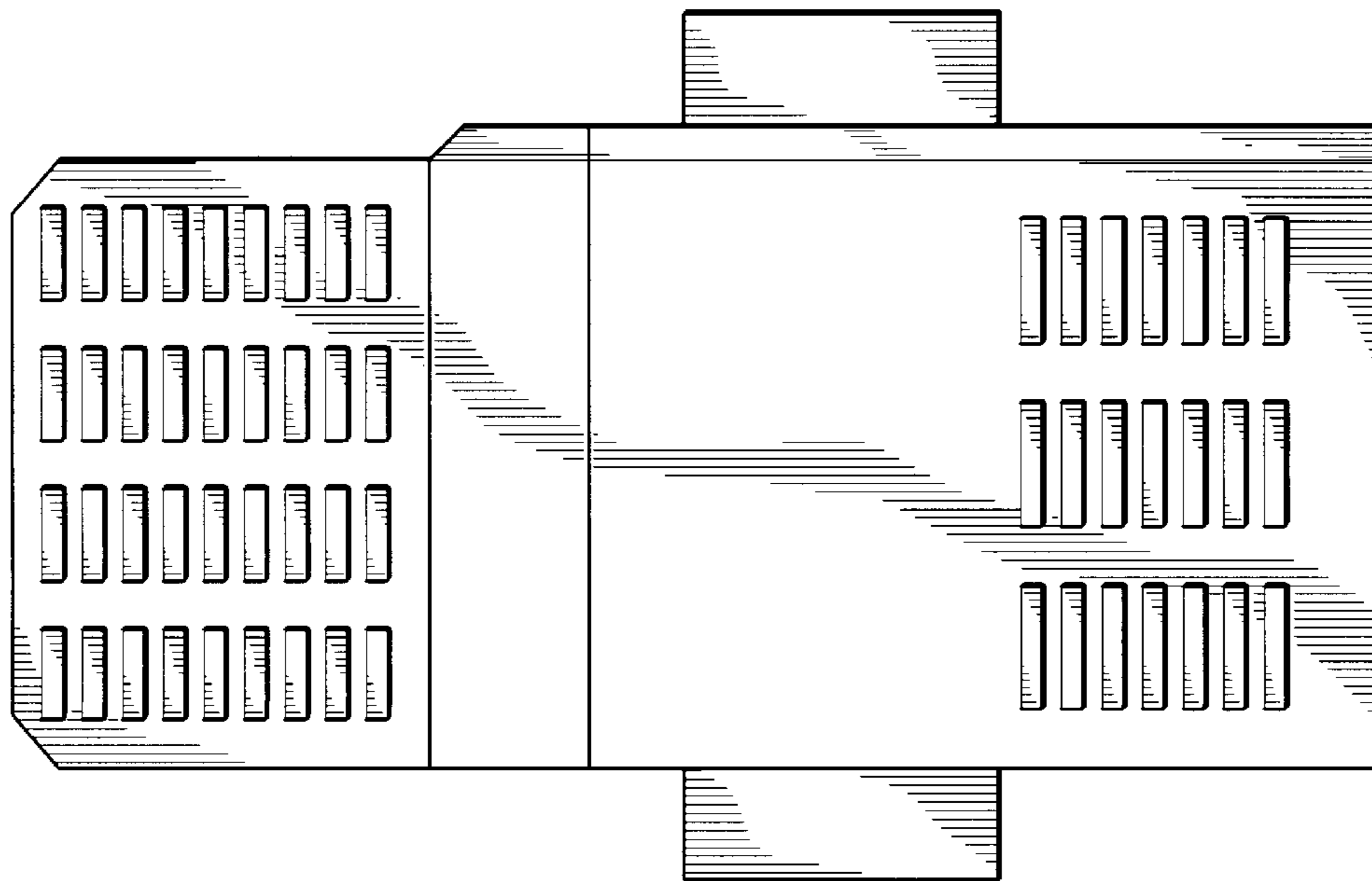


FIG. 4

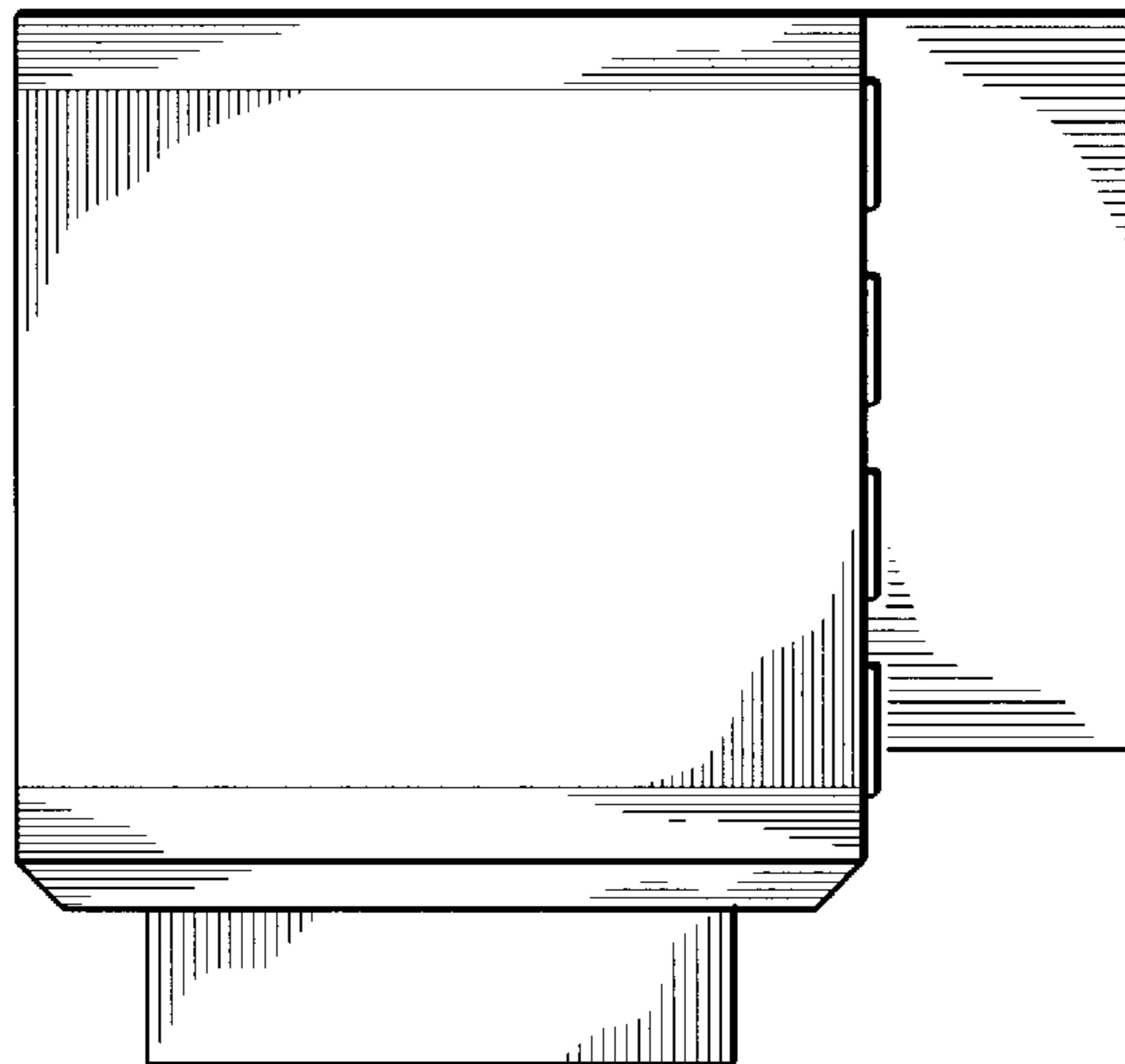


FIG. 5