



US00D529592S

(12) **United States Design Patent**  
**Kawanori et al.**

(10) **Patent No.:** **US D529,592 S**

(45) **Date of Patent:** **\*\* Oct. 3, 2006**

(54) **AIR CONDITIONER**

(75) Inventors: **Yukihiko Kawanori**, Tokyo (JP);  
**Yasuyuki Kotake**, Tokyo (JP); **Hiroshi Tsutsumi**, Tokyo (JP)

(73) Assignee: **Mitsubishi Denki Kabushiki Kaisha**,  
Toyko (JP)

(\*\*) Term: **14 Years**

(21) Appl. No.: **29/200,195**

(22) Filed: **Feb. 26, 2004**

(30) **Foreign Application Priority Data**

Sep. 10, 2003 (JP) ..... 2003-026337

(51) **LOC (8) Cl.** ..... **23-04**

(52) **U.S. Cl.** ..... **D23/351**

(58) **Field of Classification Search** ..... D23/351-54,  
D23/333; 312/236; 454/201-204; 62/259.1,  
62/259.4, 262-63, 304, 324.1, DIG. 16, 903  
See application file for complete search history.

(56) **References Cited**

**U.S. PATENT DOCUMENTS**

D345,786 S \* 4/1994 Saito et al. .... D23/351

D380,256 S \* 6/1997 Aihara et al. .... D23/351  
D398,974 S \* 9/1998 Aihara ..... D23/351  
D447,226 S \* 8/2001 Hatanaka et al. .... D23/351

**OTHER PUBLICATIONS**

“A technical material of Air-conditioners for Equipment”,  
2001 Edition, FFYHJ140CA, FFYHJ200CA,  
FFYHJ280CA.

\* cited by examiner

*Primary Examiner*—Brian N Vinson

(74) *Attorney, Agent, or Firm*—Sughrue Mion, PLLC

(57) **CLAIM**

The ornamental design for an air conditioner, as shown and  
described.

**DESCRIPTION**

FIG. 1 is a front, bottom and left side perspective view of an  
air conditioner, showing our new design;  
FIG. 2 is a front elevational view thereof;  
FIG. 3 is a rear elevational view thereof;  
FIG. 4 is a top plan view thereof;  
FIG. 5 is a bottom plan view thereof;  
FIG. 6 is a right side elevational view thereof; and,  
FIG. 7 is a left side elevational view thereof;

**1 Claim, 4 Drawing Sheets**

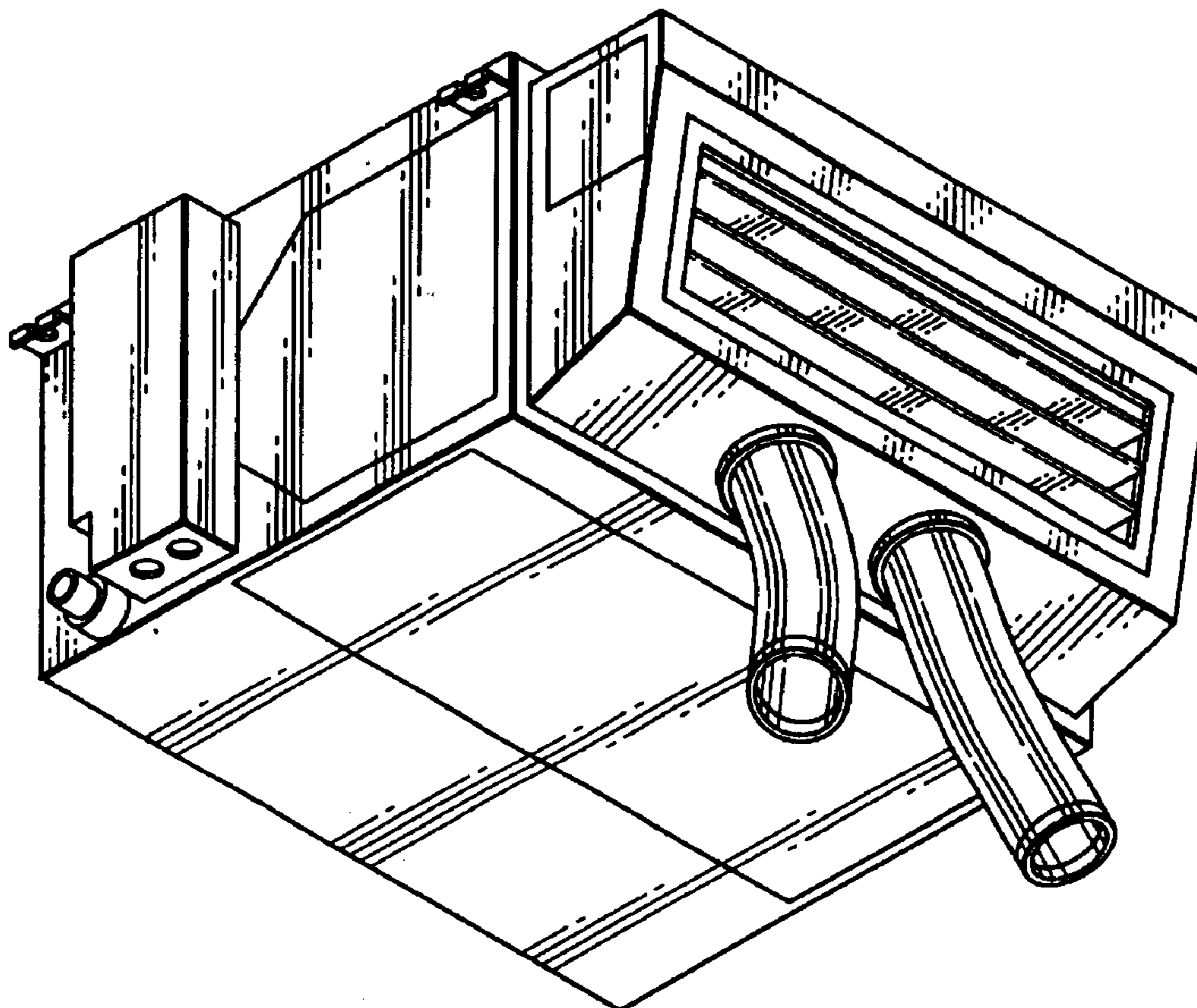


FIG. 1

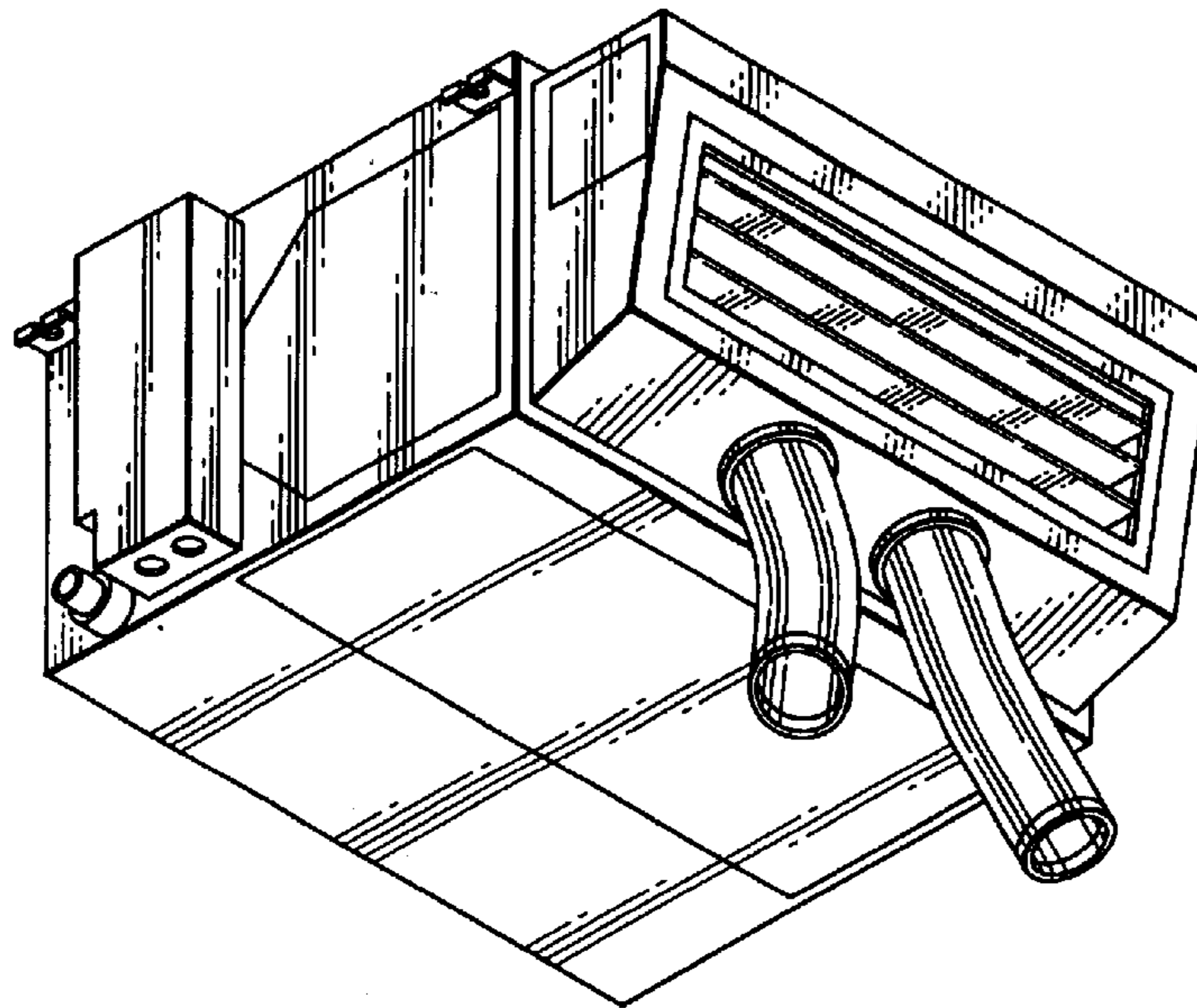


FIG. 2

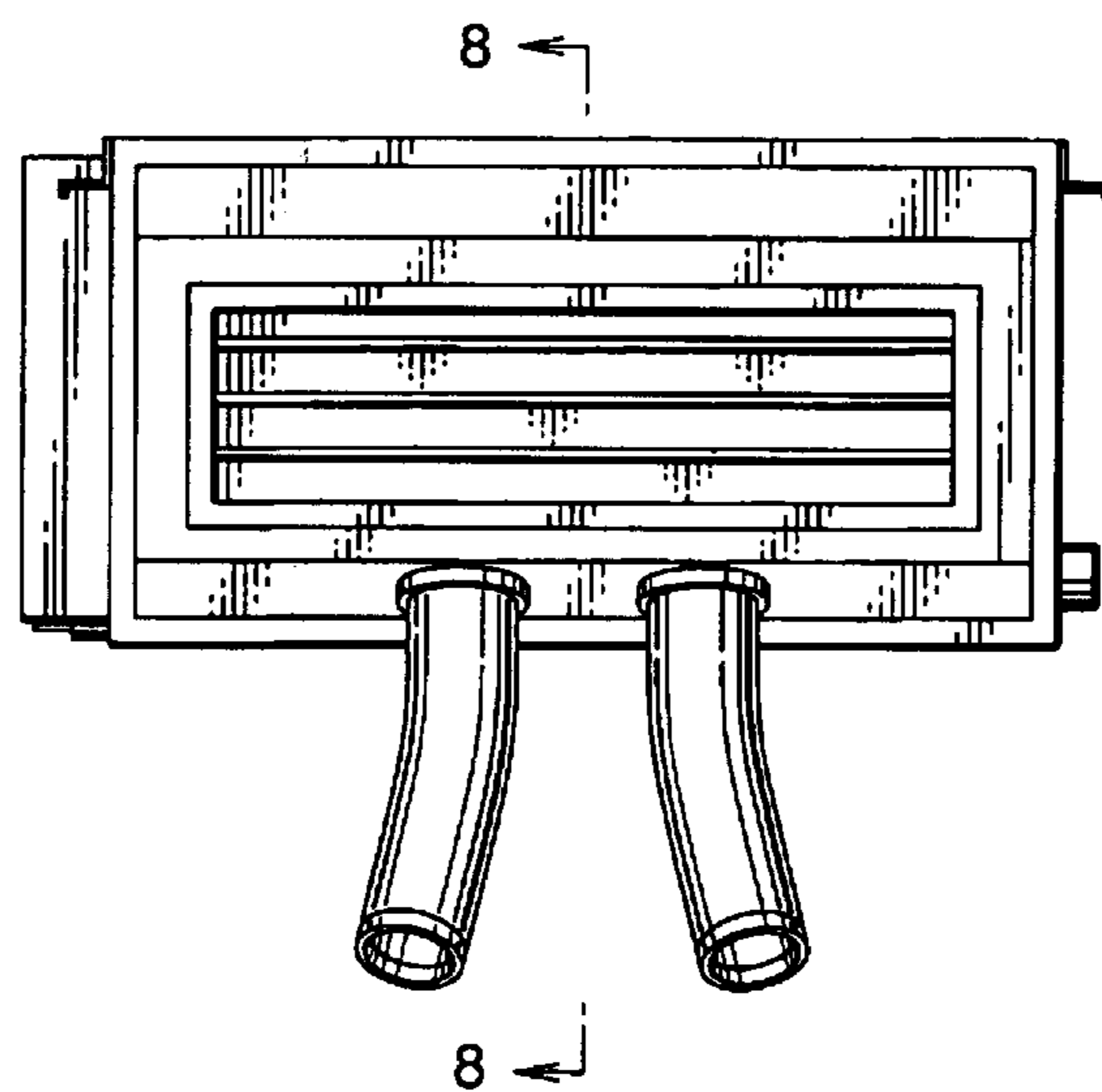


FIG.3

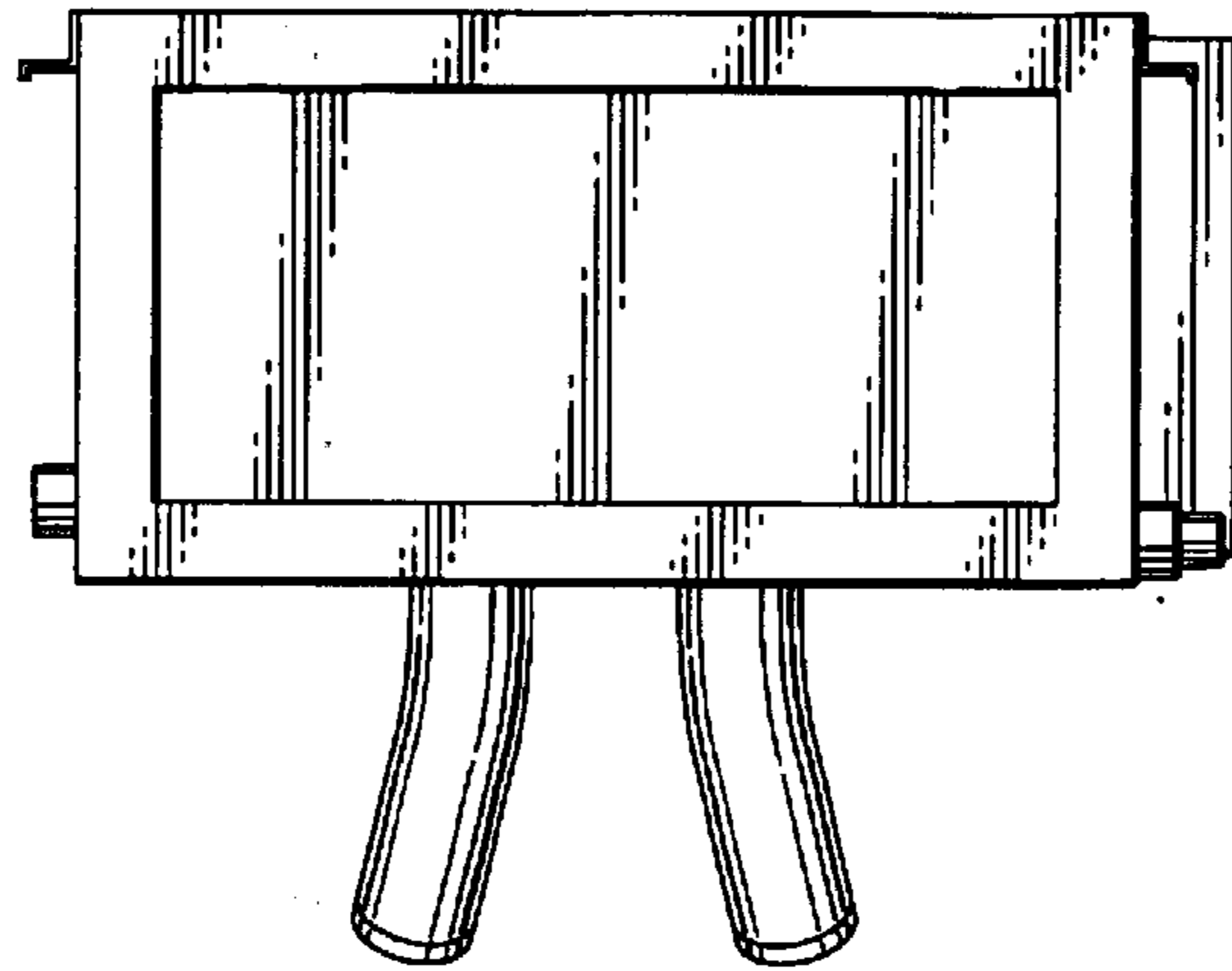


FIG.4

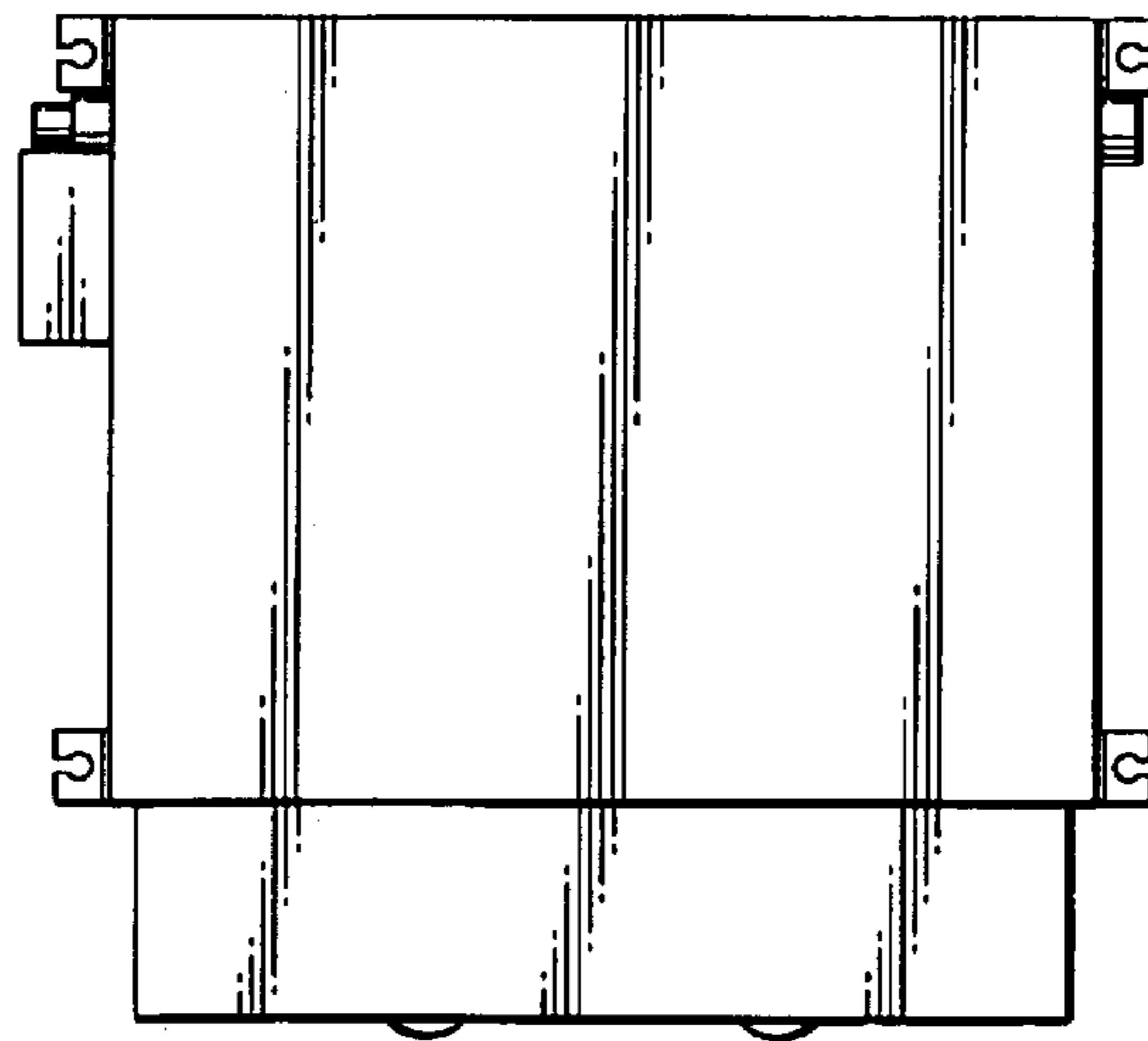


FIG.5

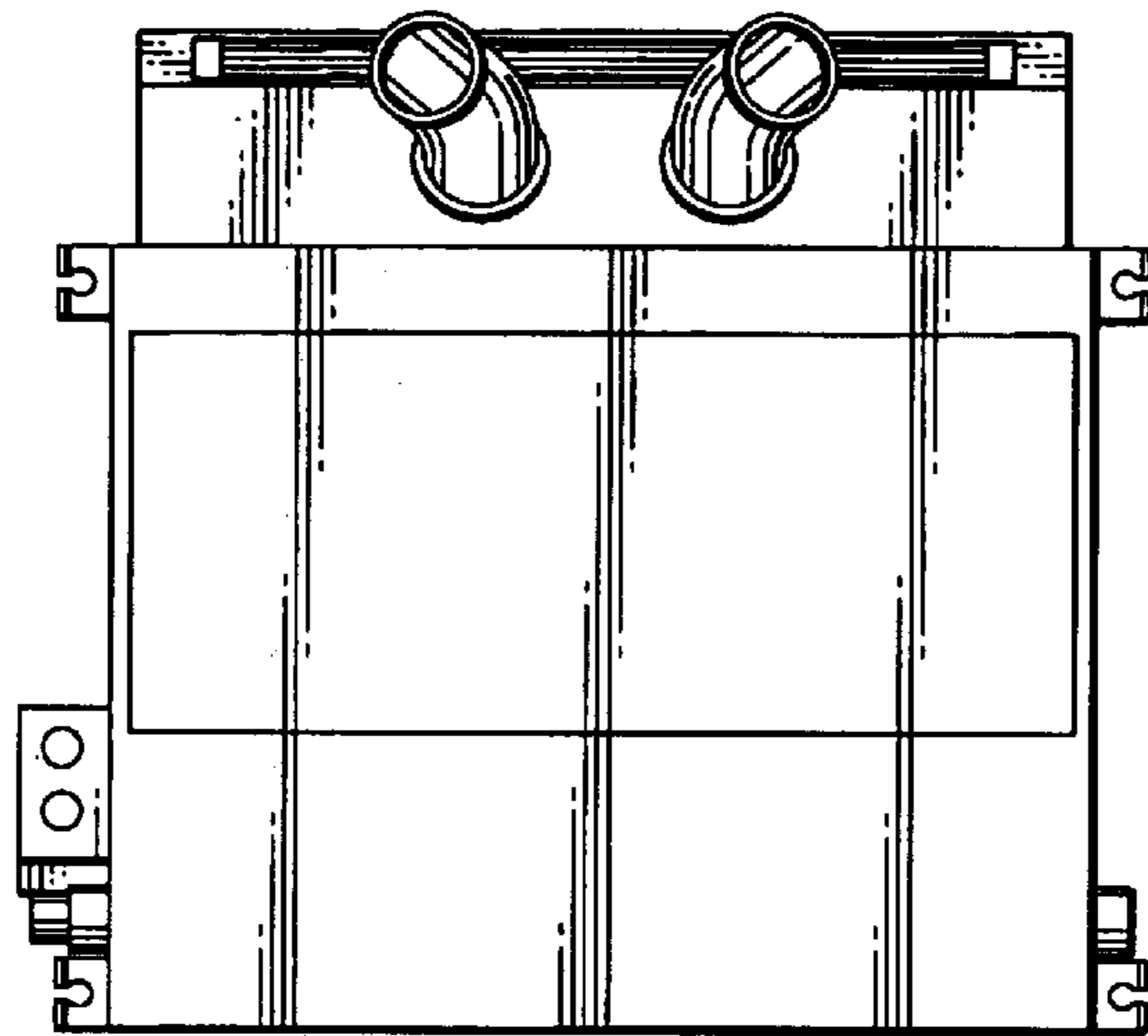


FIG.6

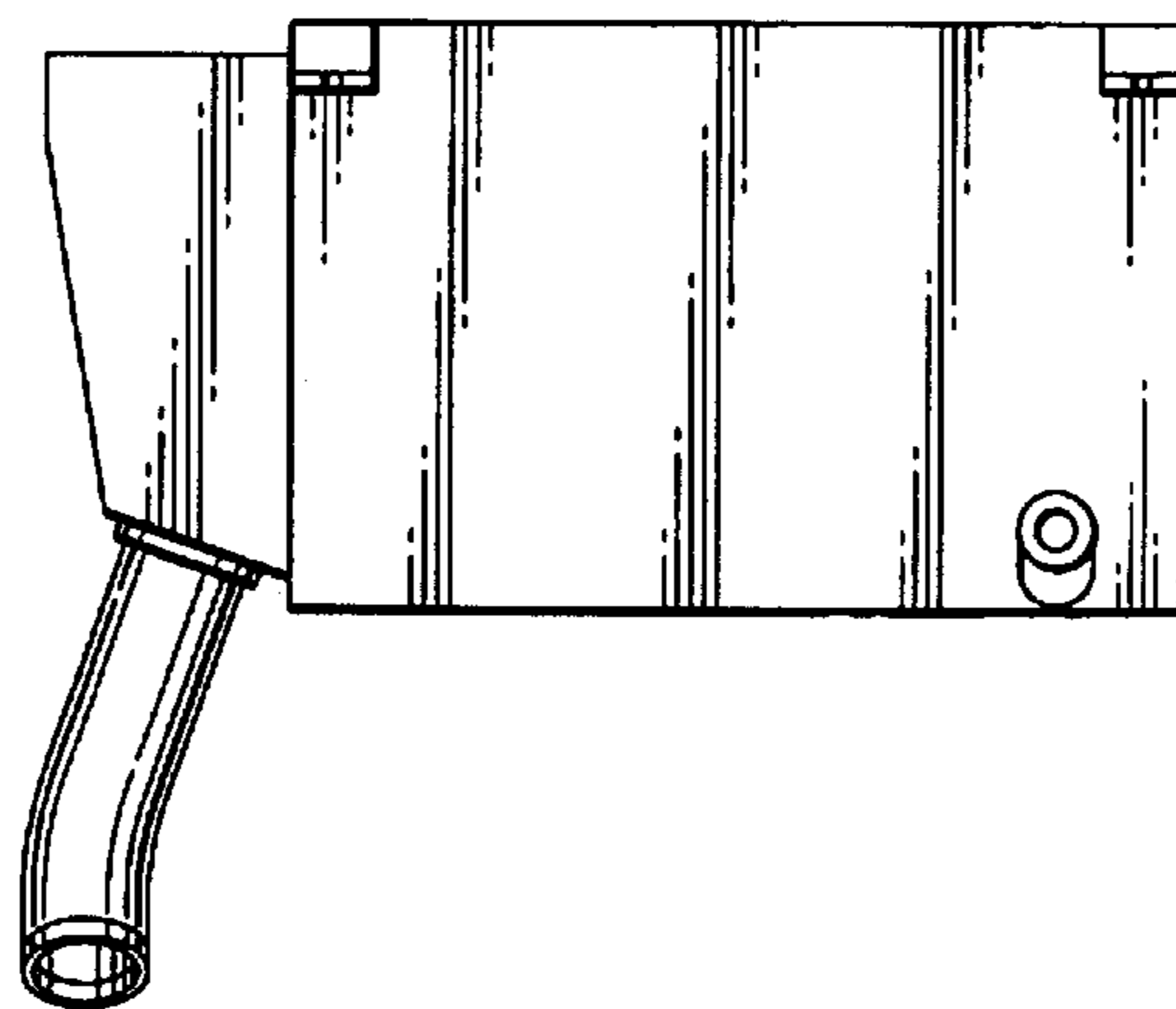


FIG. 7

