



US00D529588S

(12) **United States Design Patent**  
**Grether**

(10) **Patent No.:** **US D529,588 S**

(45) **Date of Patent:** **\*\* Oct. 3, 2006**

(54) **FLOW REGULATOR**

(75) Inventor: **Hermann Grether**, Müllheim (DE)

(73) Assignee: **Neoperl GmbH**, Mullheim (DE)

(\*\*) Term: **14 Years**

(21) Appl. No.: **29/235,236**

(22) Filed: **Jul. 29, 2005**

(30) **Foreign Application Priority Data**

Mar. 21, 2005 (EM) ..... 000330568

(51) **LOC (8) Cl.** ..... **23-01**

(52) **U.S. Cl.** ..... **D23/249**

(58) **Field of Classification Search** ..... D23/233-249,  
D23/213, 255, 257, 241, 242, 260; 138/41,  
138/42, 37, 40; 239/428.5, 552, 553.5, 553.3;  
261/DIG. 22

See application file for complete search history.

(56) **References Cited**

**U.S. PATENT DOCUMENTS**

2,793,016 A \* 5/1957 Aghnides ..... 239/391  
4,313,564 A \* 2/1982 Shames et al. .... 239/110  
5,467,929 A \* 11/1995 Bosio ..... 239/428.5

D428,114 S \* 7/2000 Le Bars ..... D23/233  
6,126,093 A \* 10/2000 Grether et al. .... 239/428.5  
6,152,182 A \* 11/2000 Grether et al. .... 138/42  
6,892,964 B1 \* 5/2005 Grether et al. .... 239/428.5  
6,902,123 B1 \* 6/2005 Grether et al. .... 239/428.5  
D516,182 S \* 2/2006 Buttgen ..... D23/249  
2006/0011748 A1 \* 1/2006 Ferrari ..... 239/428.5

\* cited by examiner

*Primary Examiner*—Ian Simmons

*Assistant Examiner*—Maurice Stevens

(74) *Attorney, Agent, or Firm*—Volpe and Koenig, P.C.

(57) **CLAIM**

The ornamental design for a flow regulator, as shown and described.

**DESCRIPTION**

FIG. 1 is a top perspective view of a flow regulator showing my new design;

FIG. 2 is a front elevational view thereof;

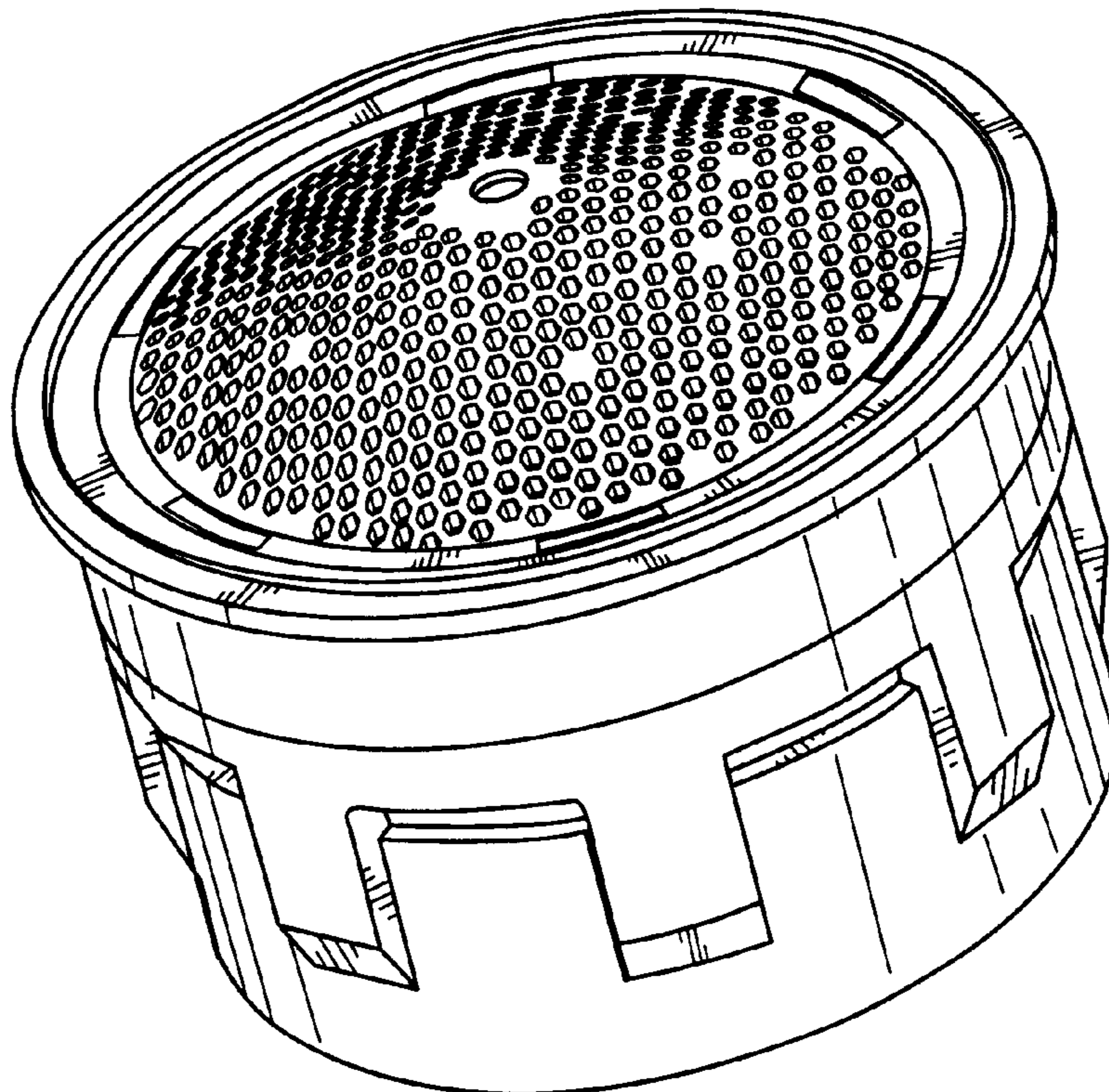
FIG. 3 is a top plan view thereof;

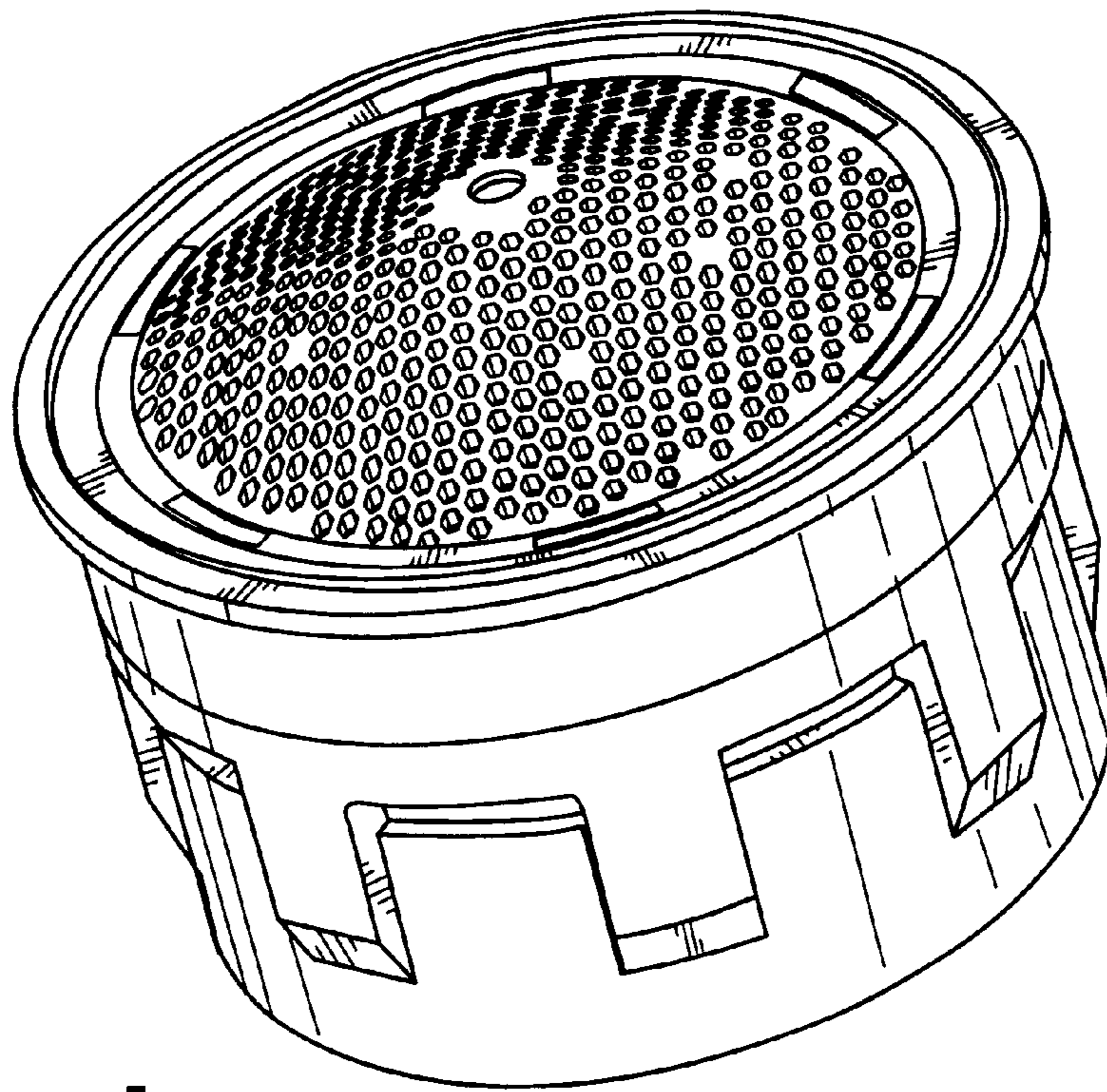
FIG. 4 is a side elevational view thereof;

FIG. 5 is a back elevational view thereof; and,

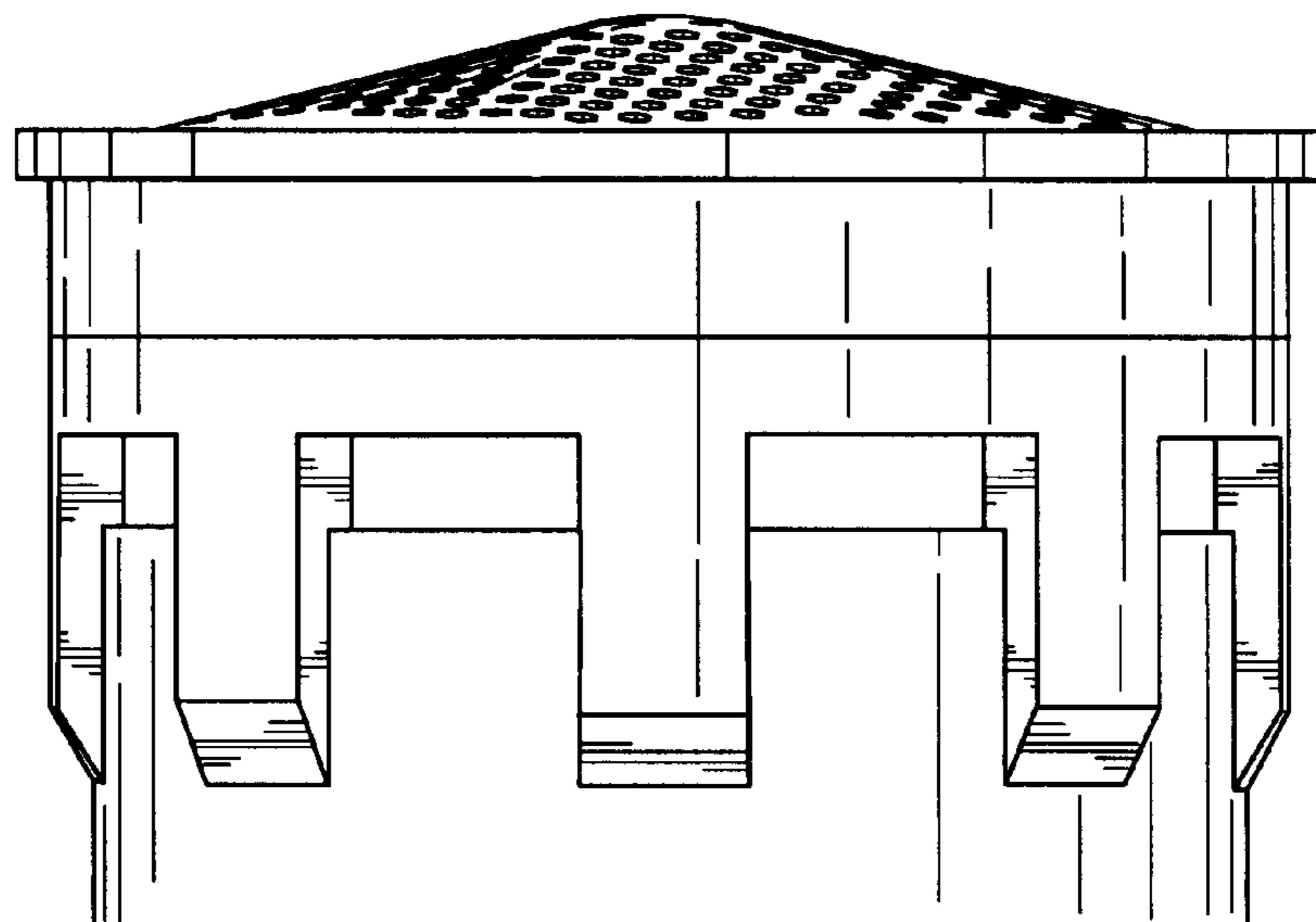
FIG. 6 is a bottom plan view thereof.

**1 Claim, 3 Drawing Sheets**



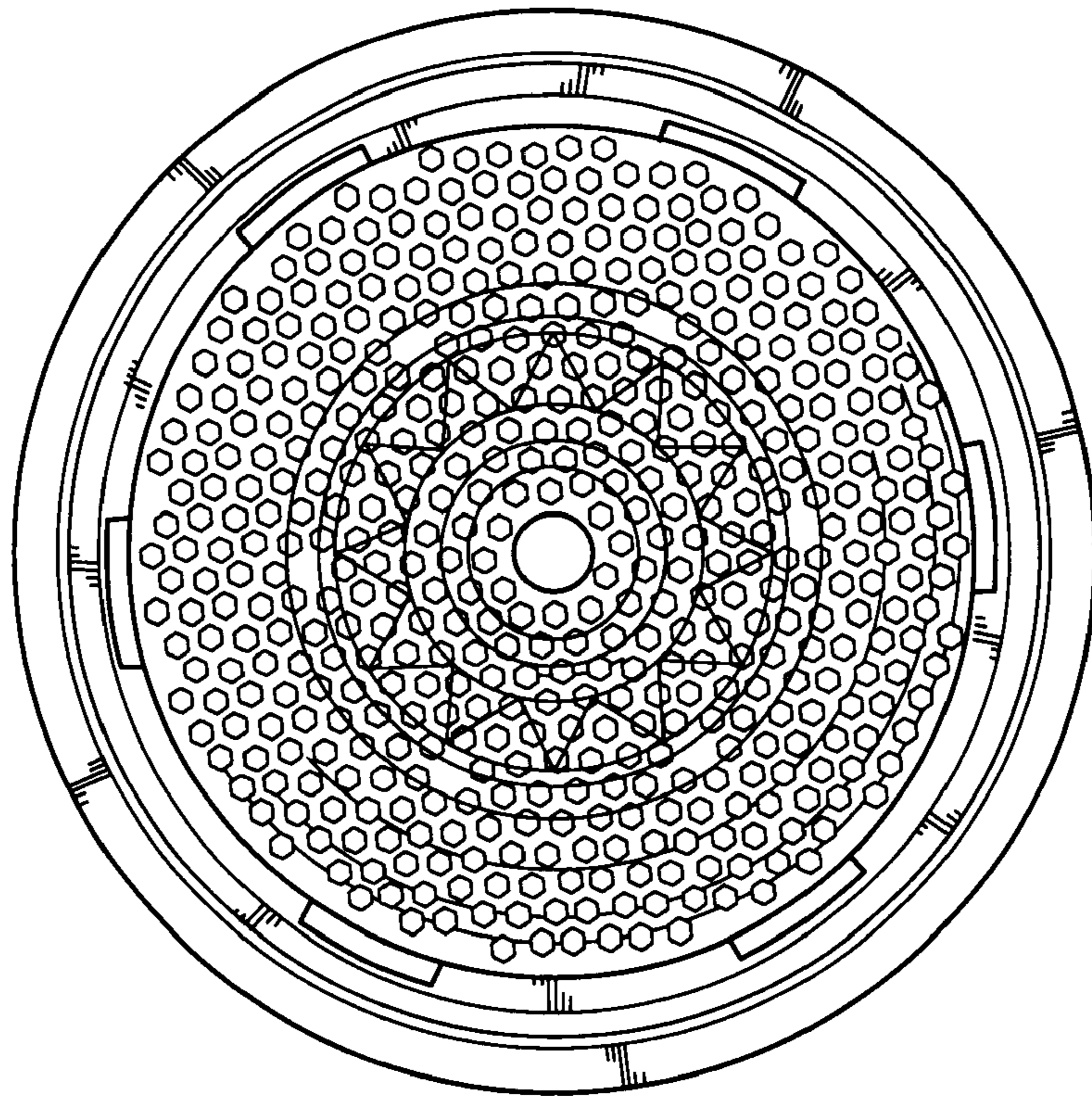


**FIG. 1**

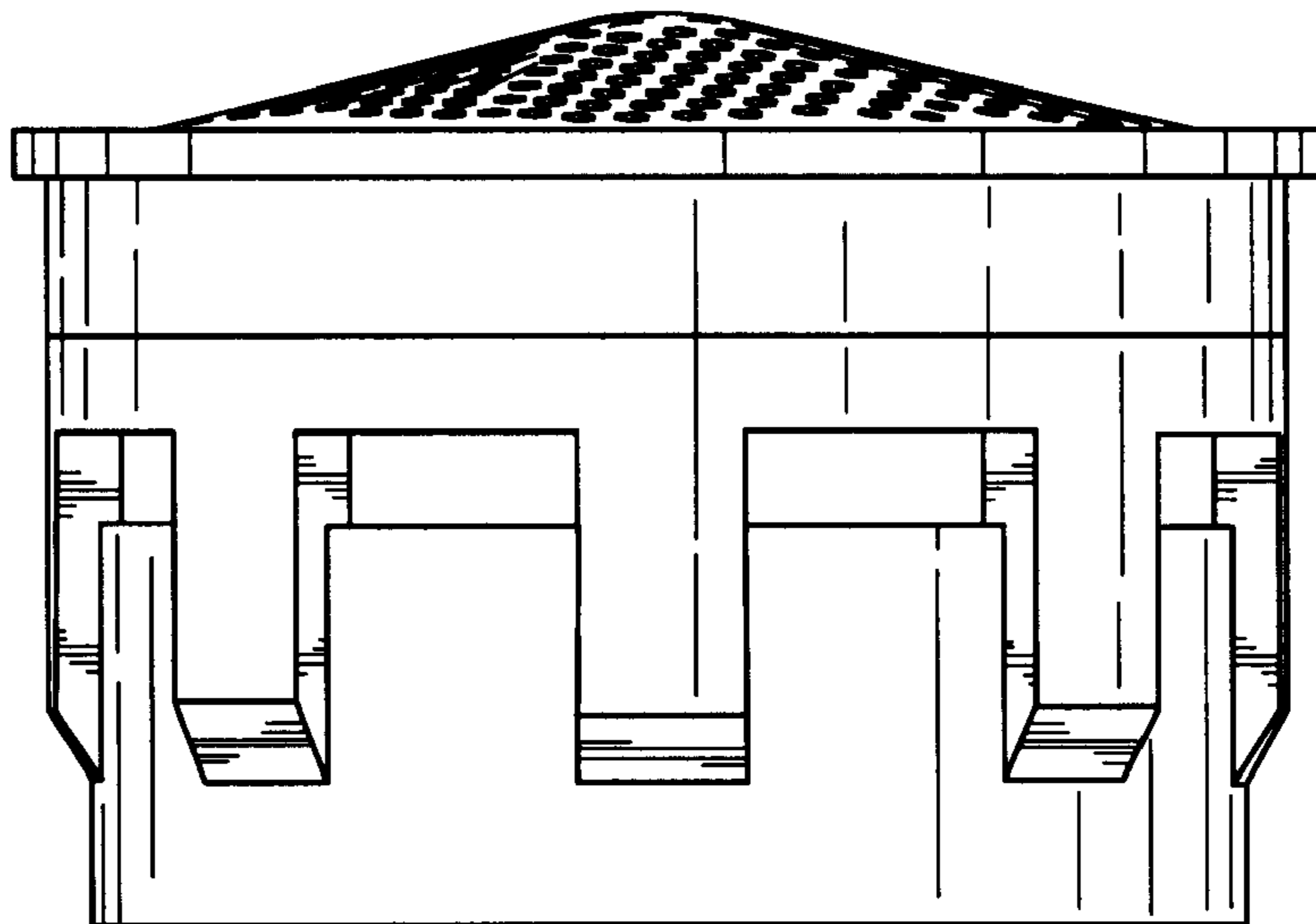


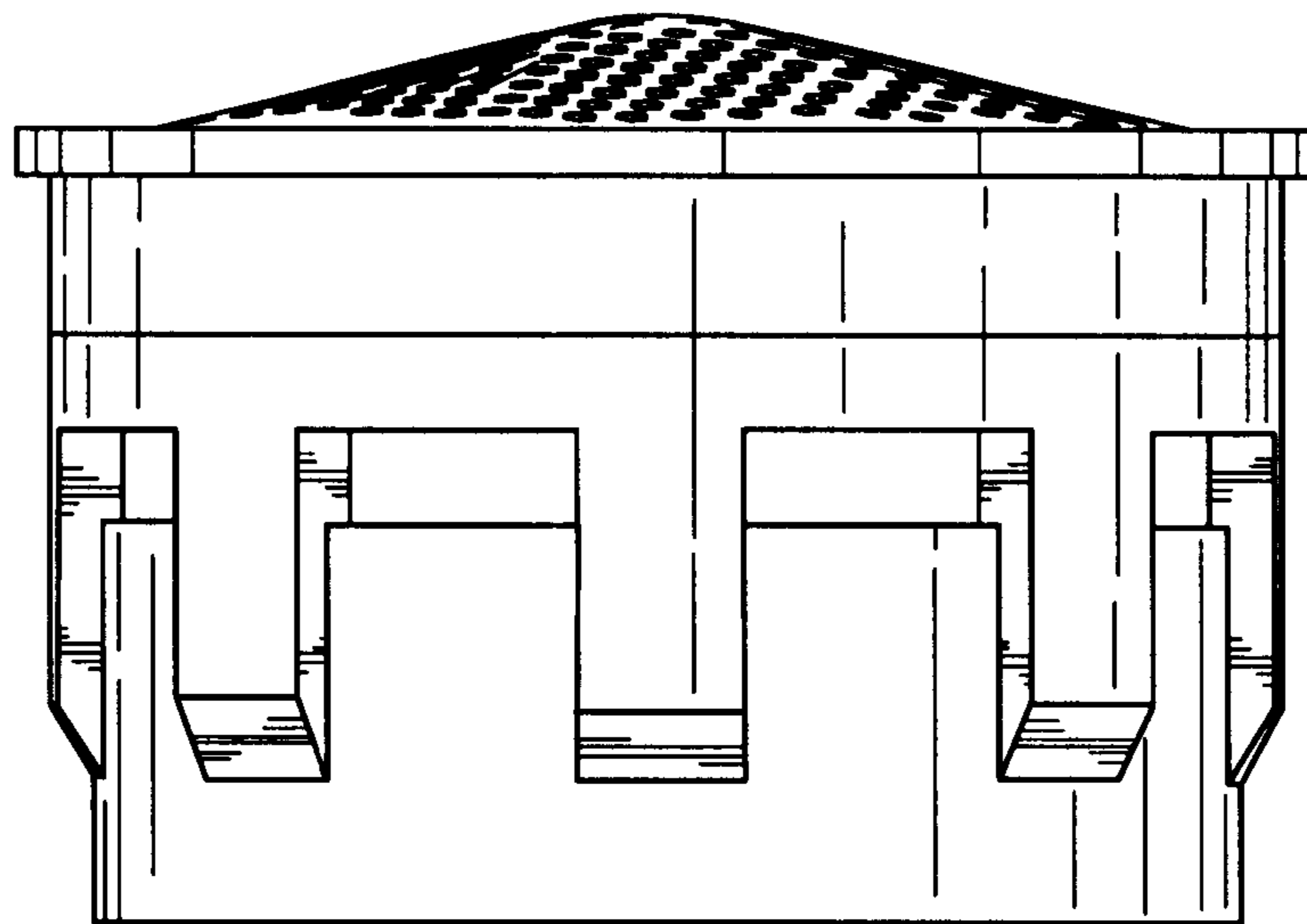
**FIG. 2**

**FIG. 3**

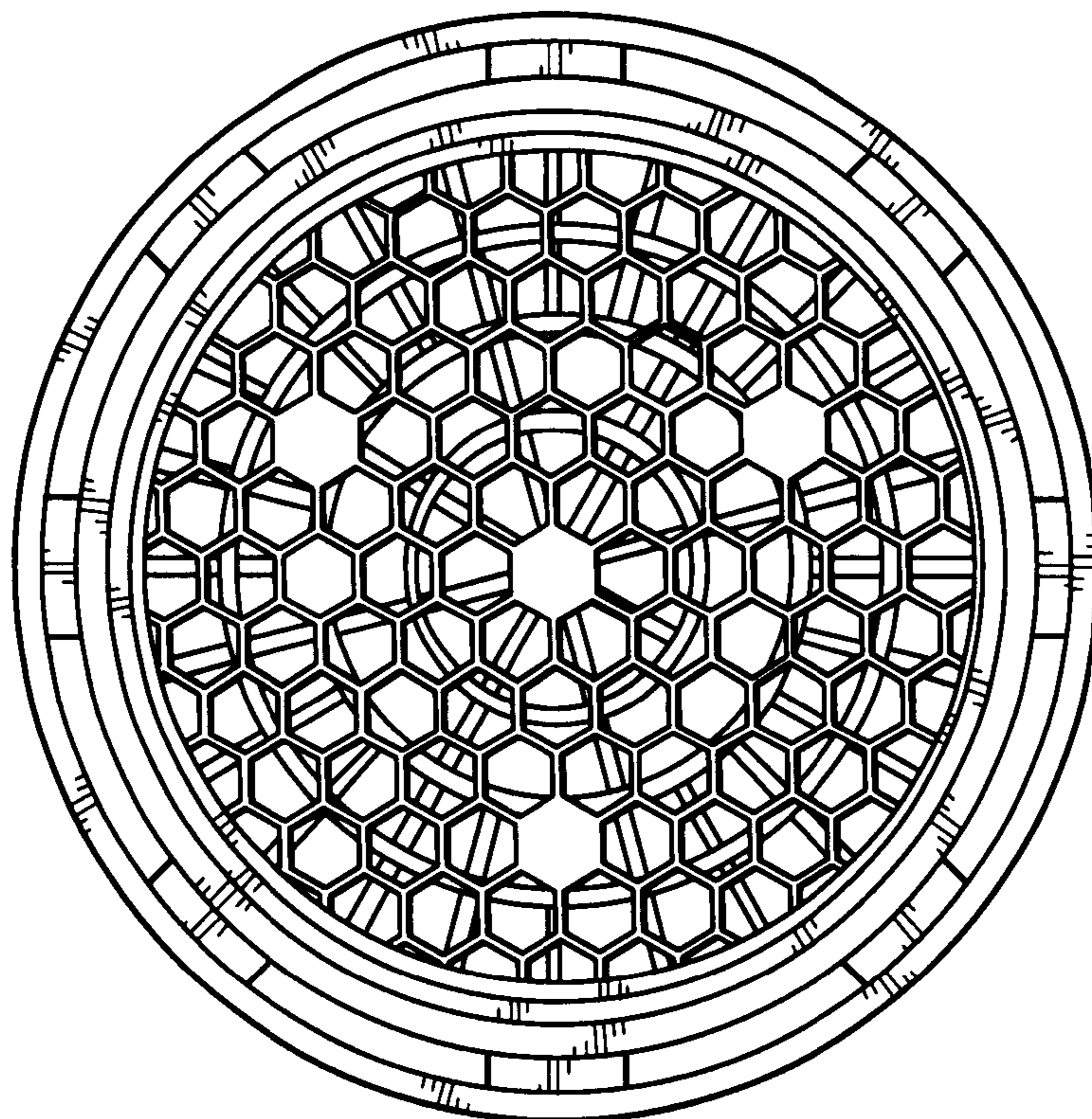


**FIG. 4**





**FIG. 5**



**FIG. 6**