



US00D529587S

(12) **United States Design Patent**  
**Chen**

(10) **Patent No.:** **US D529,587 S**

(45) **Date of Patent:** **\*\* Oct. 3, 2006**

(54) **GATE VALVE**

(76) Inventor: **Jianming Chen**, No. 1 Longgeo Road  
Meidong Section, Jiujiang Town,  
Nanhai District, Foshan City,  
Guangdong Province (CN), 52803

(\*\*) Term: **14 Years**

(21) Appl. No.: **29/225,536**

(22) Filed: **Mar. 17, 2005**

(30) **Foreign Application Priority Data**

Sep. 20, 2004 (CN) ..... 2004300754010

(51) **LOC (8) Cl.** ..... **23-01**

(52) **U.S. Cl.** ..... **D23/244**

(58) **Field of Classification Search** ..... D23/233-237,  
D23/244-249; 251/326-329, 305, 331  
See application file for complete search history.

(56) **References Cited**

**U.S. PATENT DOCUMENTS**

D292,820 S \* 11/1987 Kemp ..... D23/244  
D292,935 S \* 11/1987 Kemp ..... D23/244

D292,983 S \* 12/1987 Kanoui ..... D16/322  
2003/0116742 A1 \* 6/2003 Anderson et al. .... 251/326  
2006/0038155 A1 \* 2/2006 Lam ..... 251/326

\* cited by examiner

*Primary Examiner*—Terry A. Wallace

*Assistant Examiner*—Maurice Stevens

(74) *Attorney, Agent, or Firm*—Knobbe, Martens, Olson &  
Bear LLP

(57) **CLAIM**

The ornamental design for a gate valve, as shown and  
described.

**DESCRIPTION**

FIG. 1 is a perspective view showing the gate valve embody-  
ing the new design;

FIG. 2 is a right side view of the design of FIG. 1;

FIG. 3 is a left side view of the design of FIG. 1;

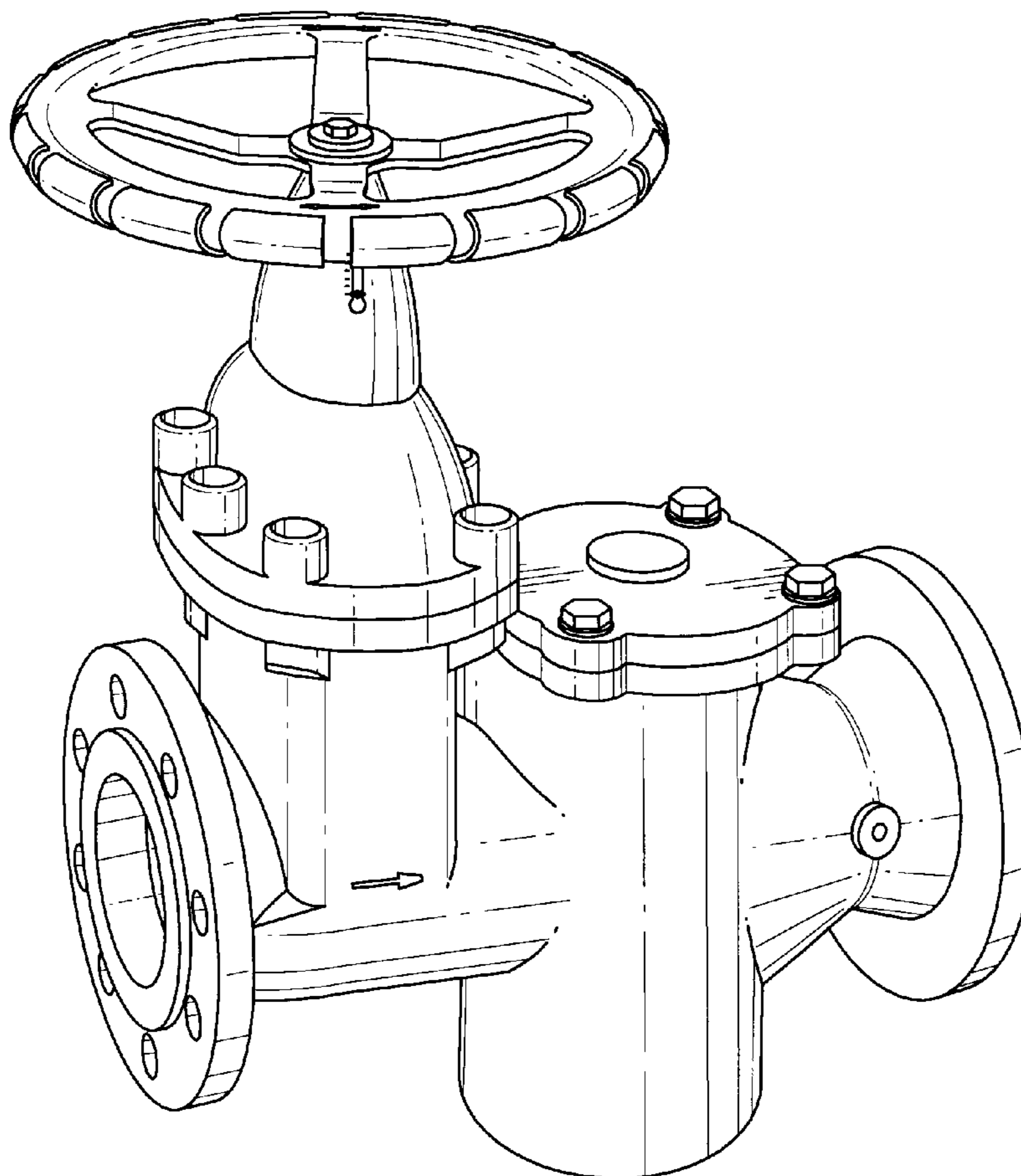
FIG. 4 is a bottom view of the design of FIG. 1;

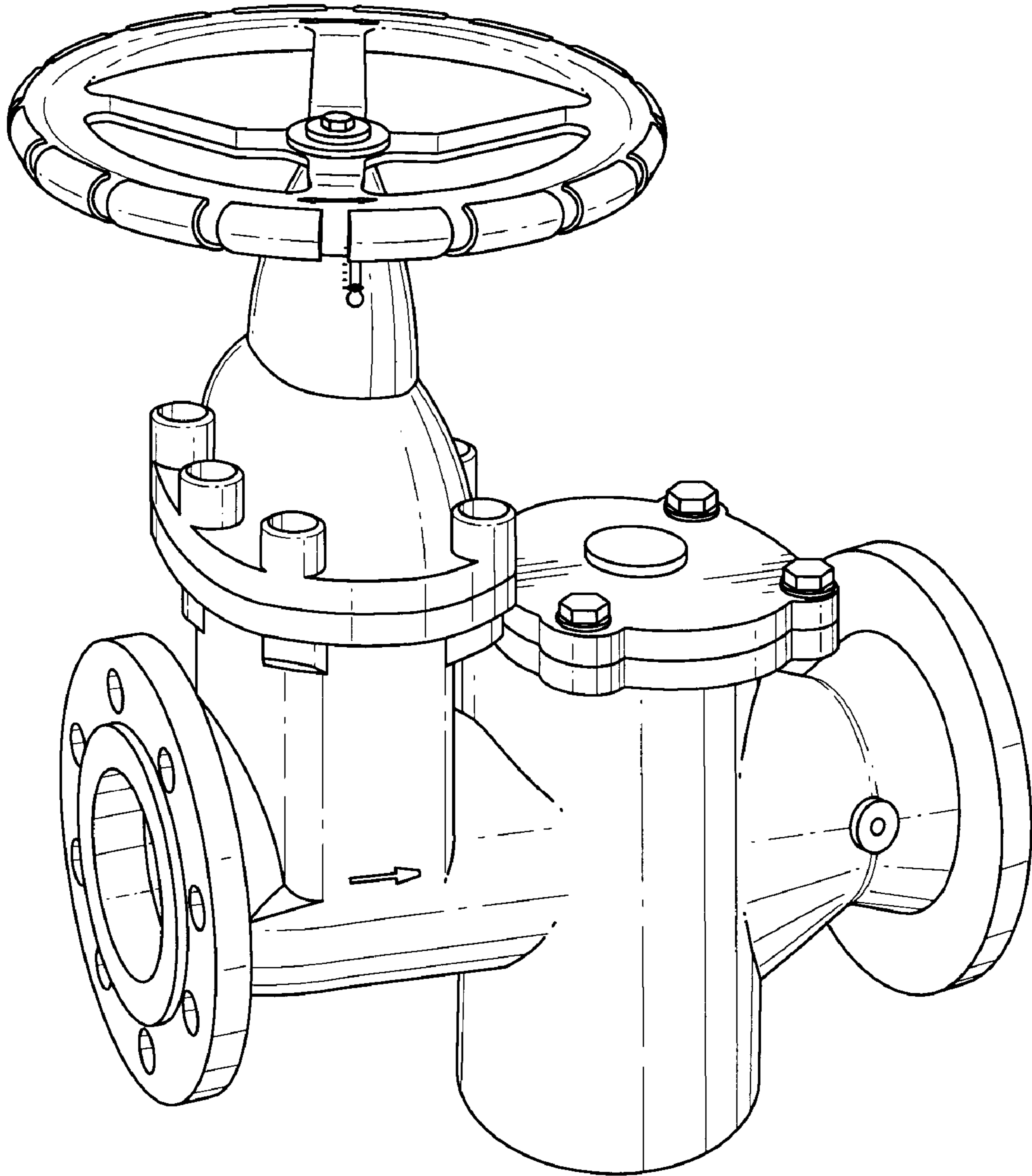
FIG. 5 is a top view of the design of FIG. 1;

FIG. 6 is a front view of the design of FIG. 1; and,

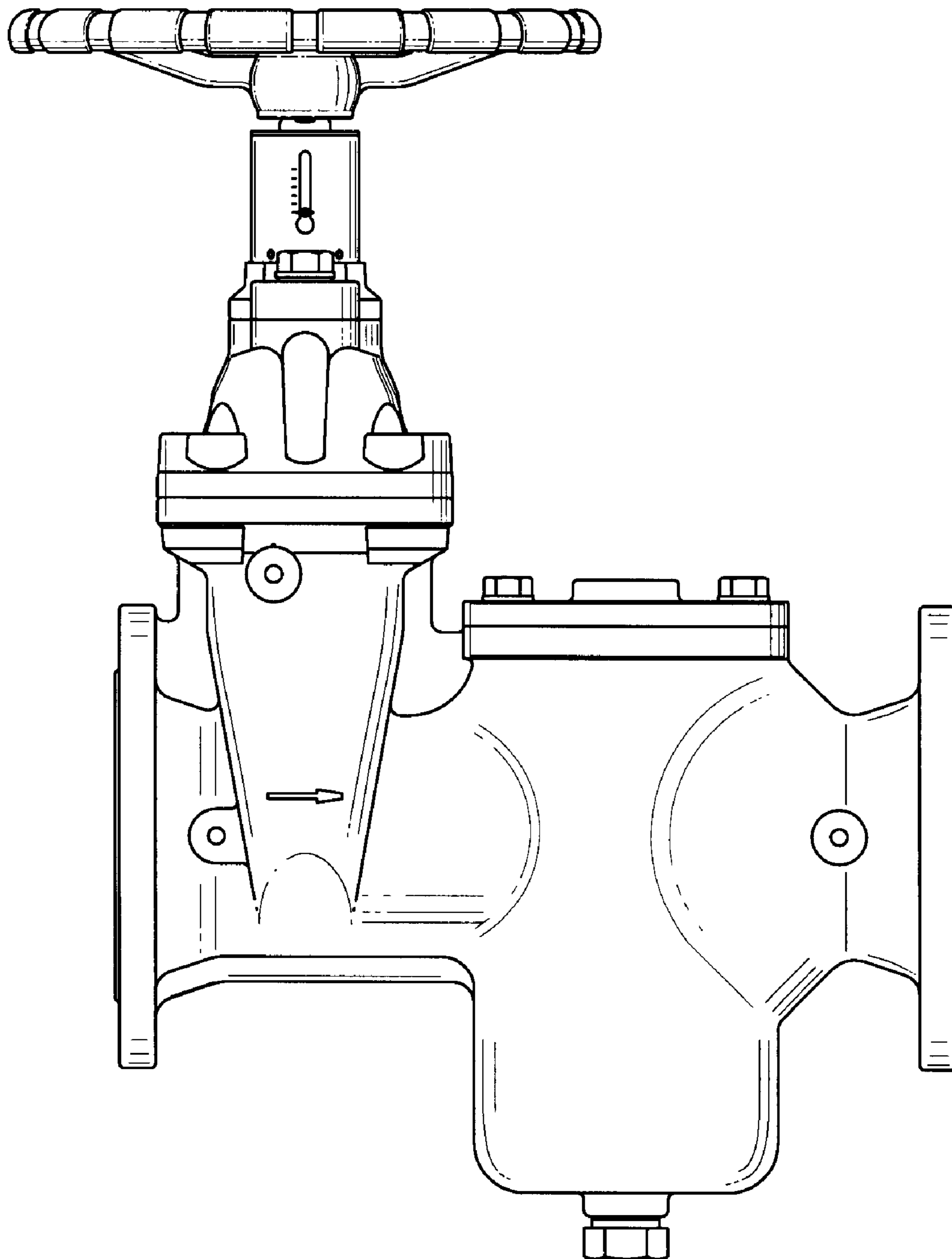
FIG. 7 is a rear view of the design of FIG. 1.

**1 Claim, 6 Drawing Sheets**

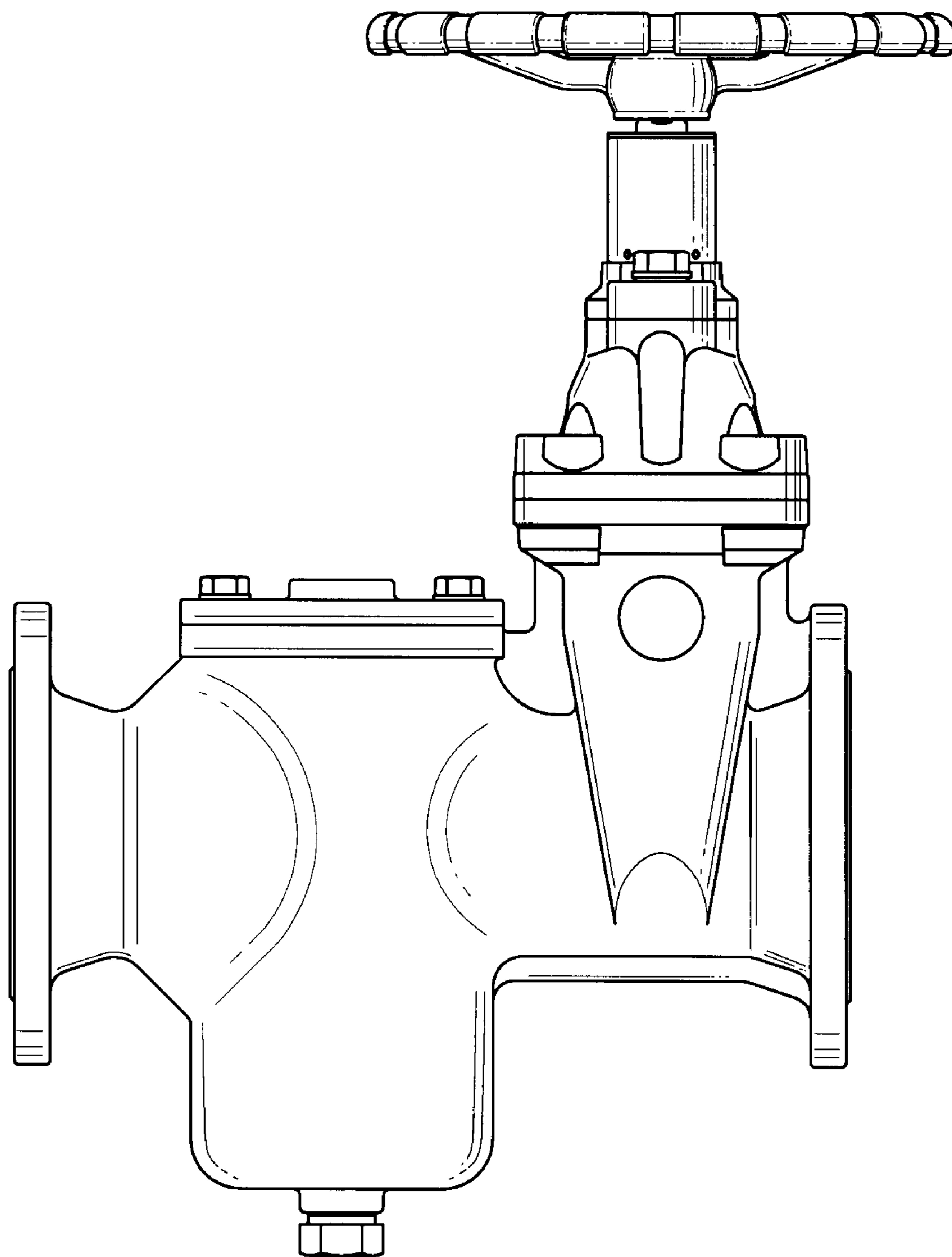




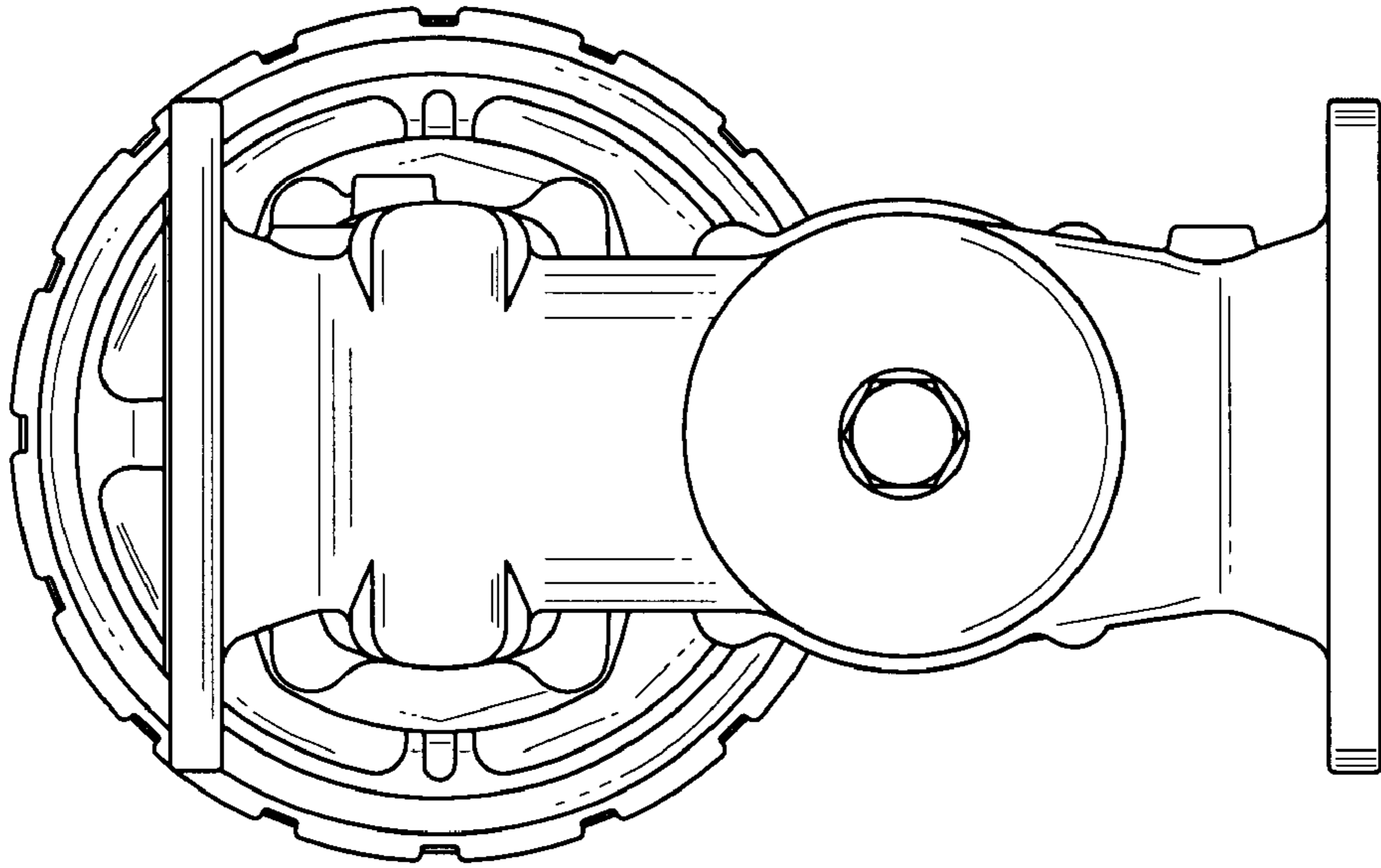
**FIG. 1**



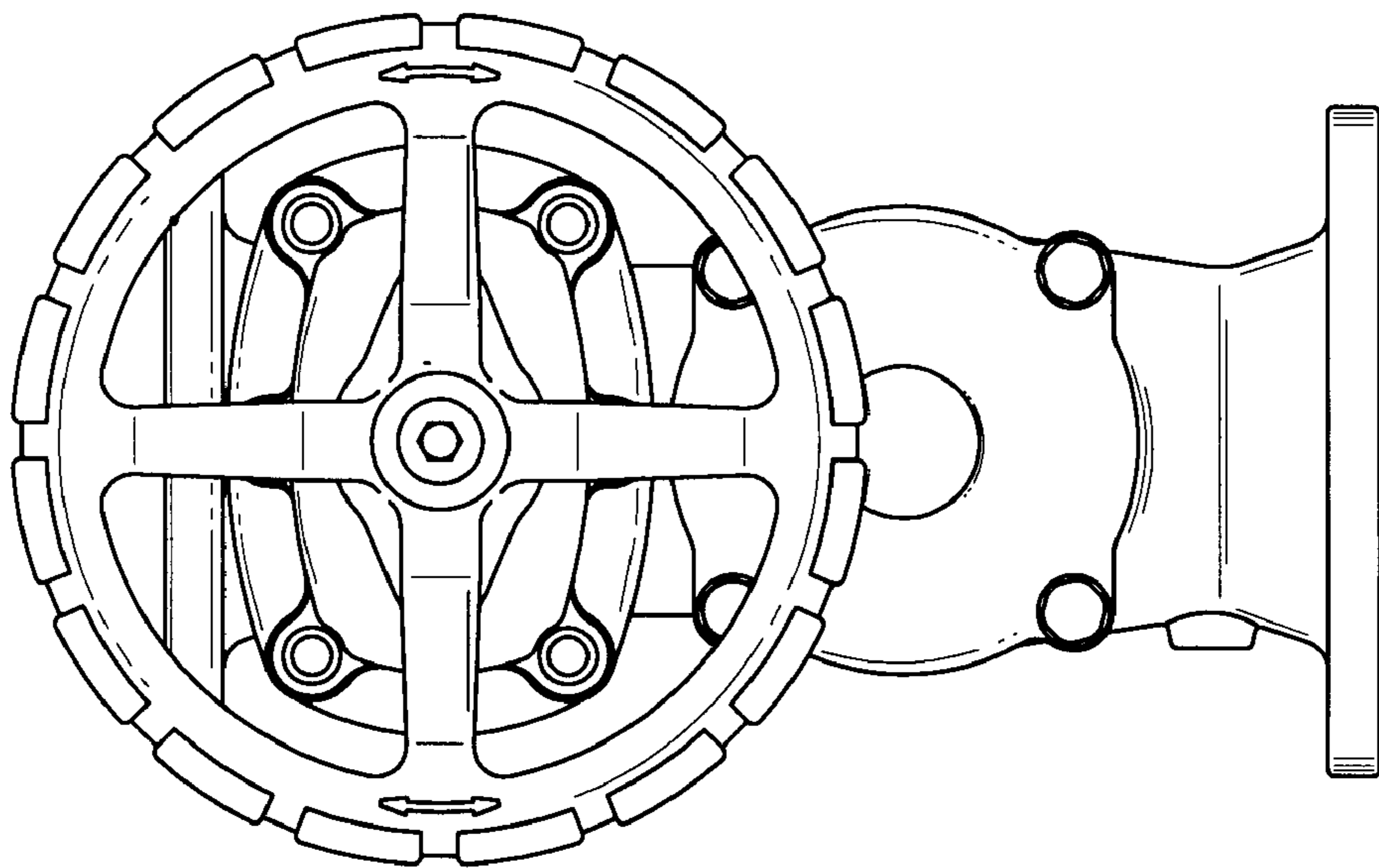
**FIG. 2**



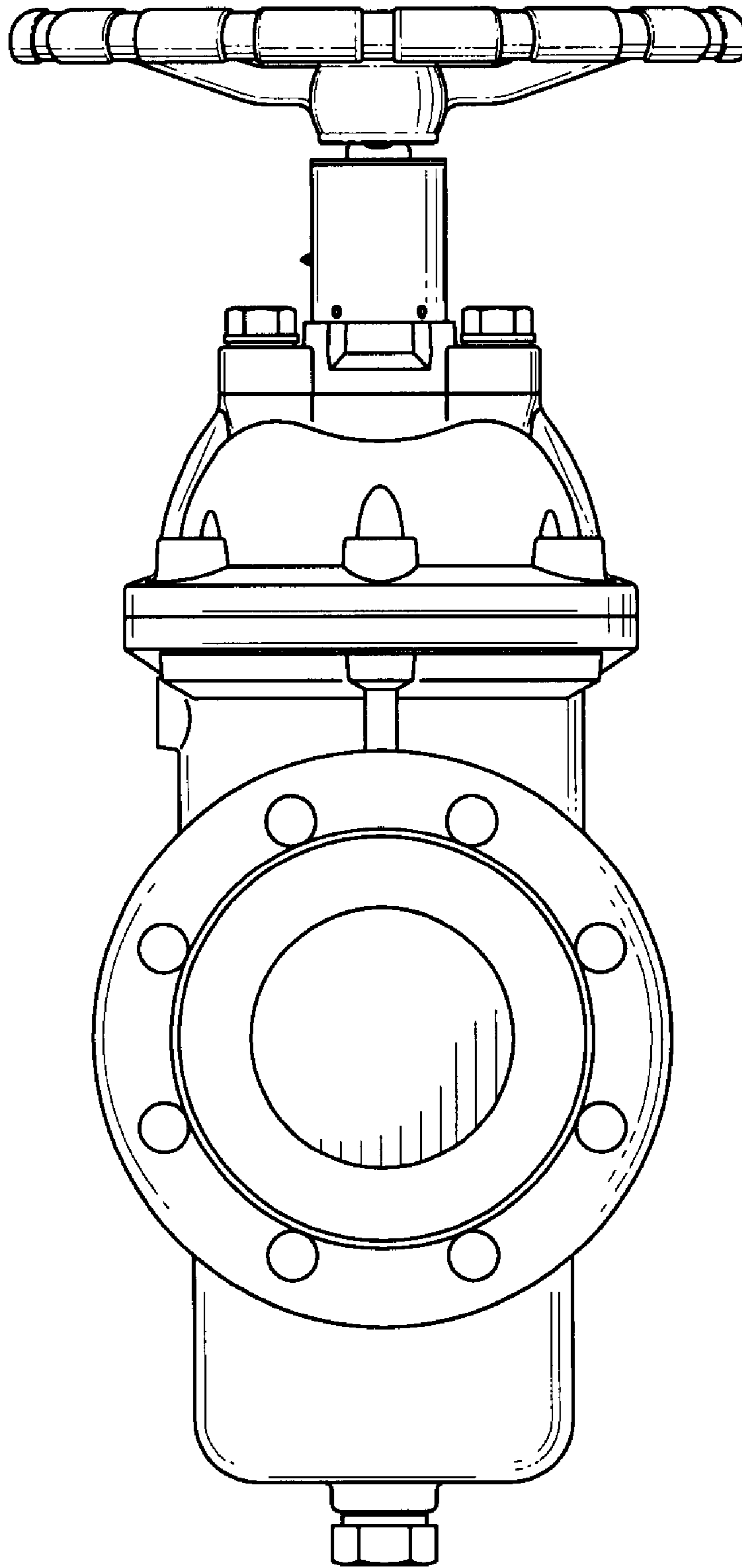
**FIG. 3**



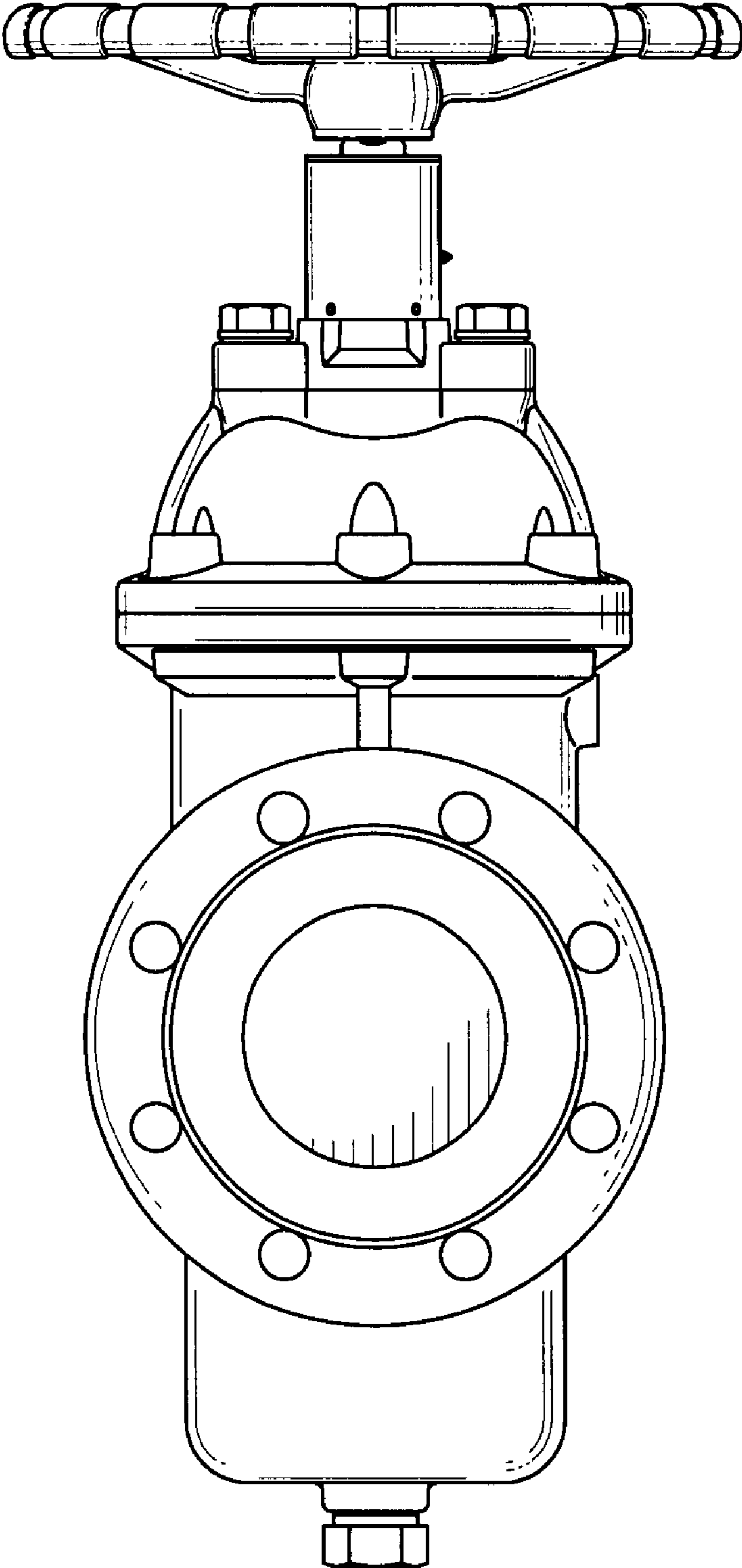
**FIG. 4**



**FIG. 5**



**FIG. 6**



**FIG. 7**