

US00D529586S

(12) **United States Design Patent**  
**Kulig**

(10) **Patent No.:** **US D529,586 S**  
(45) **Date of Patent:** **\*\* Oct. 3, 2006**

(54) **FAUCET**

(75) **Inventor:** **Zbigniew Kulig**, Wadsworth, IL (US)

(73) **Assignee:** **Graff Faucets**, Milwaukee, WI (US)

(\*\*) **Term:** **14 Years**

(21) **Appl. No.:** **29/234,937**

(22) **Filed:** **Jul. 25, 2005**

(30) **Foreign Application Priority Data**

Jan. 25, 2005 (PL) ..... WP-7275  
Feb. 11, 2005 (EM) ..... 000294871-0001

(51) **LOC (8) Cl.** ..... **23-01**

(52) **U.S. Cl.** ..... **D23/242; D23/241**

(58) **Field of Classification Search** ..... D23/238–257;  
4/675–678; 137/801

See application file for complete search history.

(56) **References Cited**

**U.S. PATENT DOCUMENTS**

D479,583 S \* 9/2003 Citterio ..... D23/242  
D509,283 S \* 9/2005 Sieger ..... D23/238  
D510,611 S \* 10/2005 Jorgensen et al. .... D23/238  
D512,484 S \* 12/2005 Painsi ..... D23/238

**OTHER PUBLICATIONS**

Kulig, U.S. Appl. No. 29/200,364, filed Feb. 26, 2004,  
entitled "Faucet".

Kulig, U.S. Appl. No. 29/200,369, filed Feb. 26, 2004,  
entitled "Faucet".

Kulig, U.S. Appl. No. 29/220,253, filed Dec. 28, 2004,  
entitled "Faucet".

Kulig, U.S. Appl. No. 29/220,197, filed Dec. 28, 2004,  
entitled "Faucet".

Kulig, U.S. Appl. No. 29/220,248, filed Dec. 28, 2004,  
entitled "Faucet".

\* cited by examiner

*Primary Examiner*—Louis S. Zarfaz

*Assistant Examiner*—Gregory Andoll

(74) *Attorney, Agent, or Firm*—Boyle Fredrickson  
Newholm Stein & Gratz S.C.

(57) **CLAIM**

The ornamental design for a faucet, as shown and described.

**DESCRIPTION**

FIG. 1 is perspective view of a faucet incorporating my new design, viewed from in front of, above, and from the left side of the faucet;

FIG. 2 is a front elevation view thereof;

FIG. 3 is a rear elevation view thereof;

FIG. 4 is a top plan view thereof;

FIG. 5 is a bottom plan view thereof; and

FIG. 6 is a right-side elevation view thereof

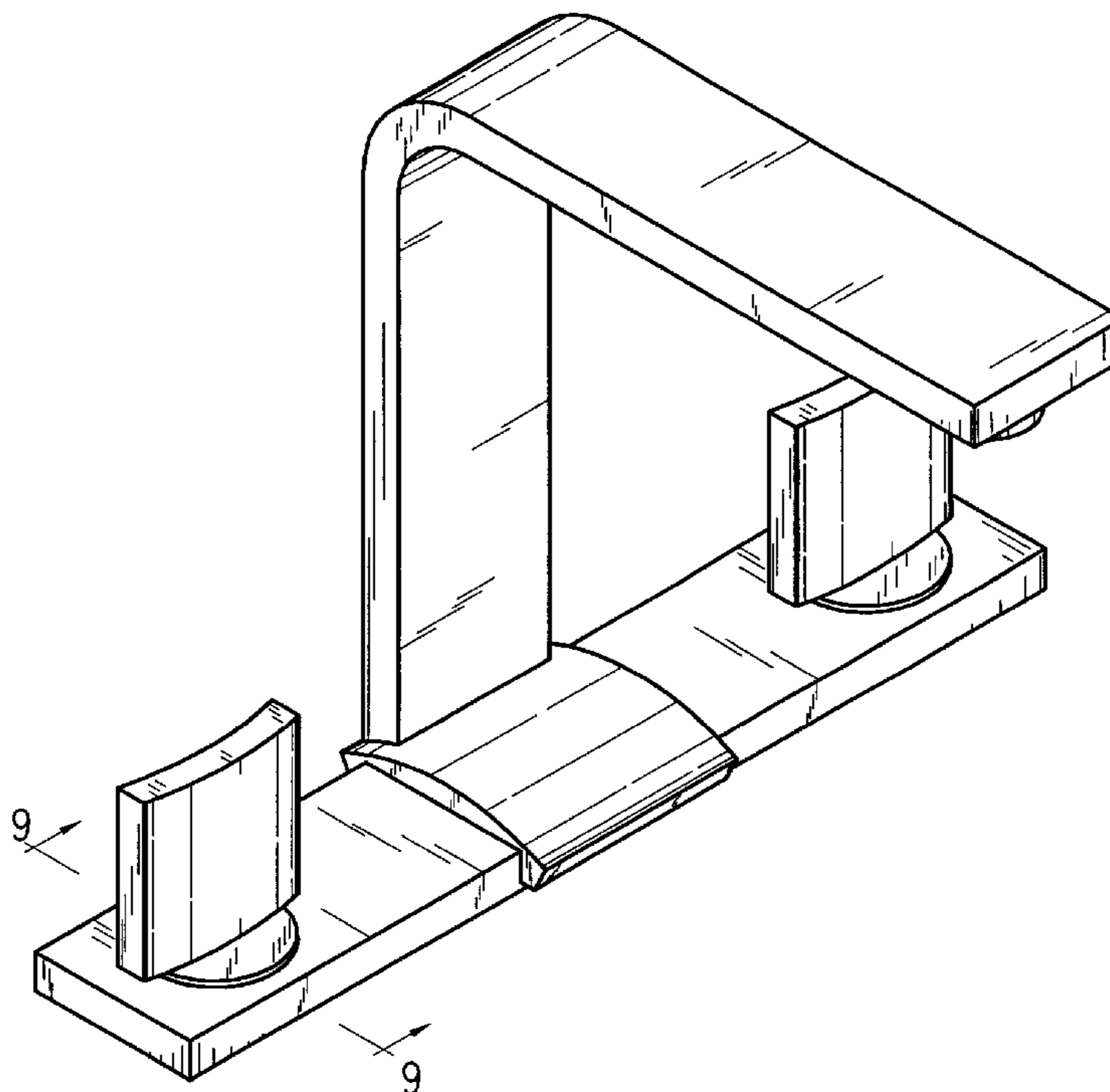
FIG. 7 is a left-side elevation view thereof;

FIG. 8 is a sectional view taken along the lines 8—8 in FIG. 7; and,

FIG. 9 is a sectional view taken along lines 9—9 in FIG. 1.

The broken lines in FIG. 5 are for illustrative purposes only and form no part of the claimed design

**1 Claim, 7 Drawing Sheets**



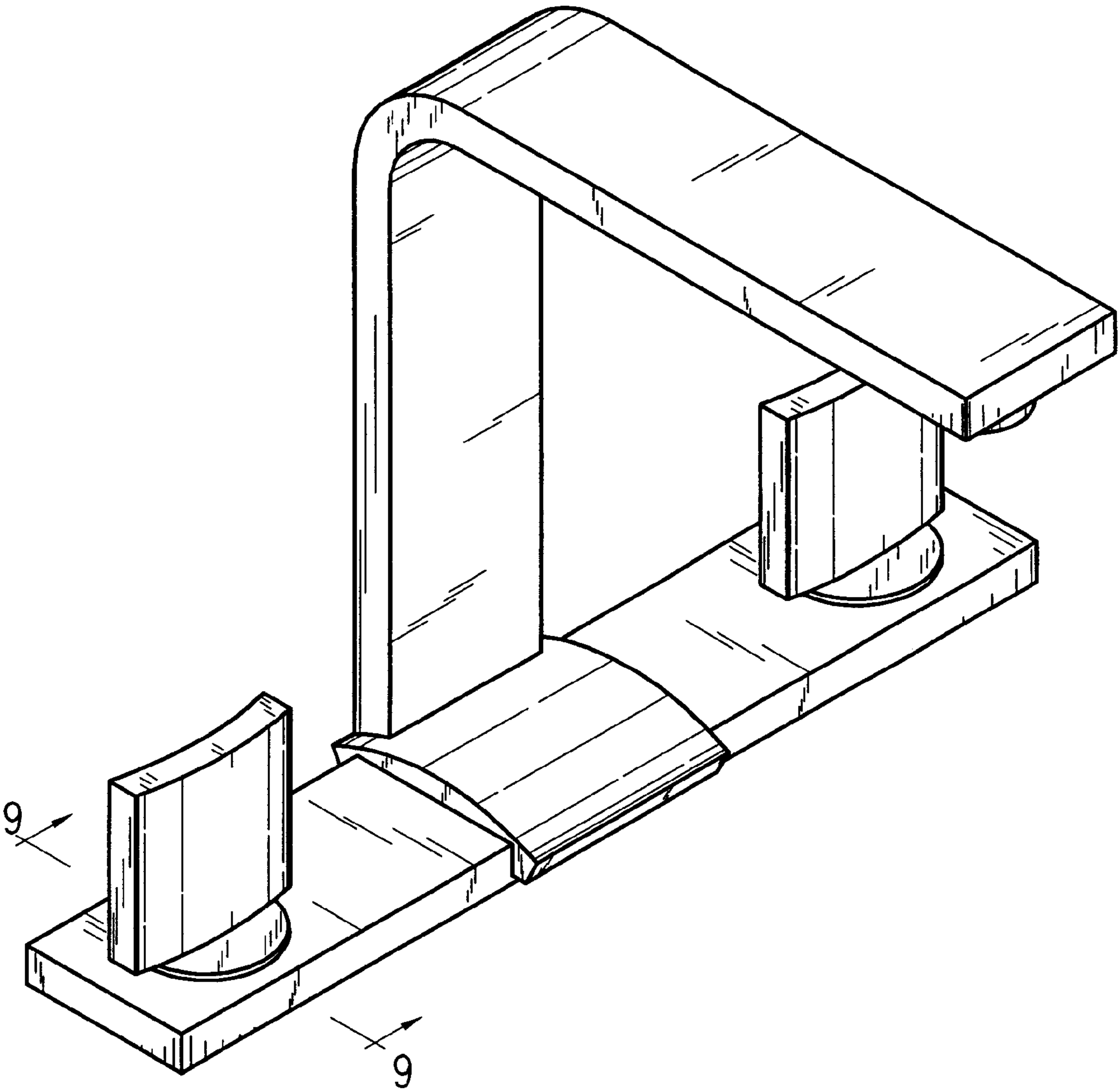


FIG. 1

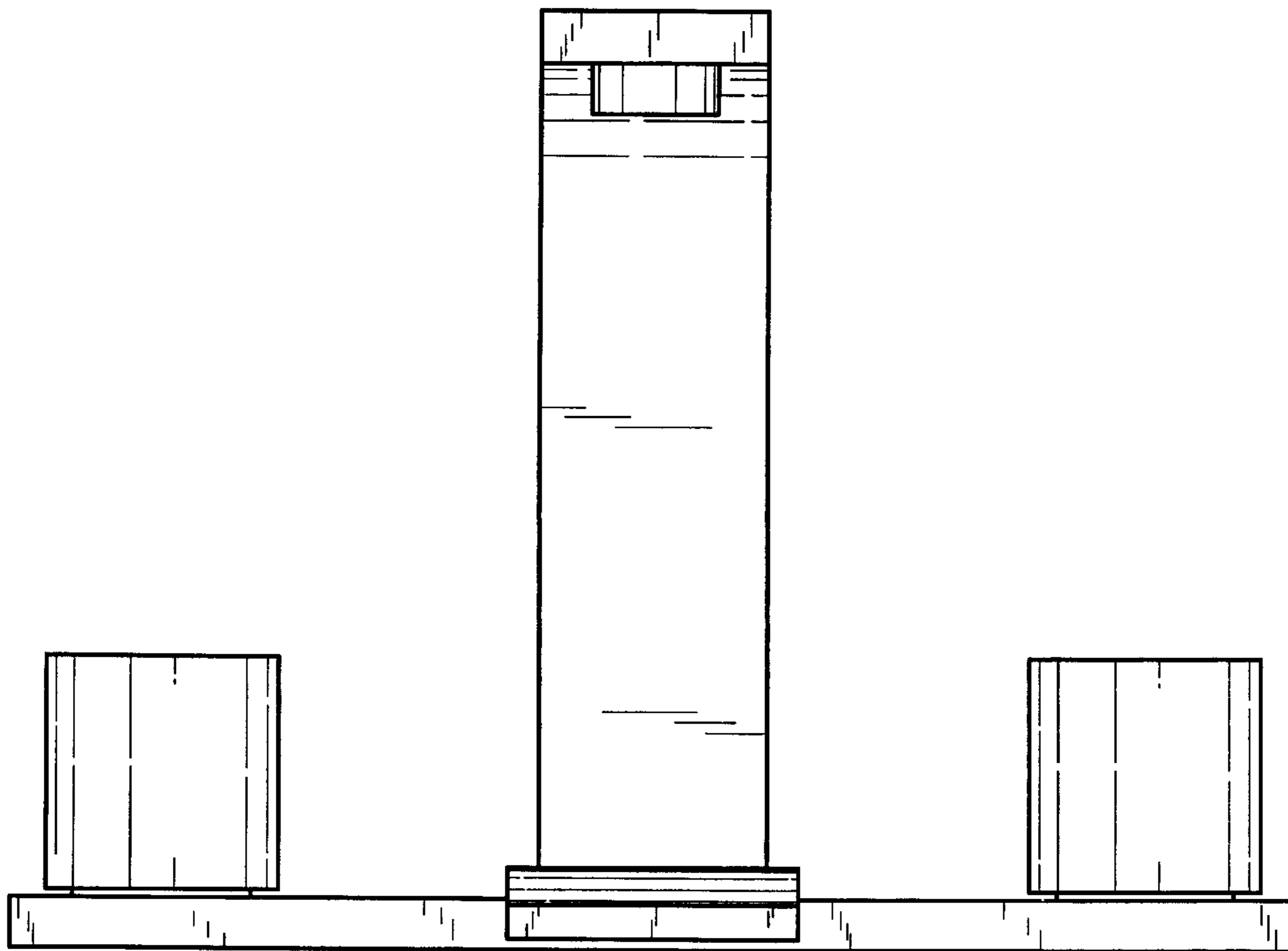
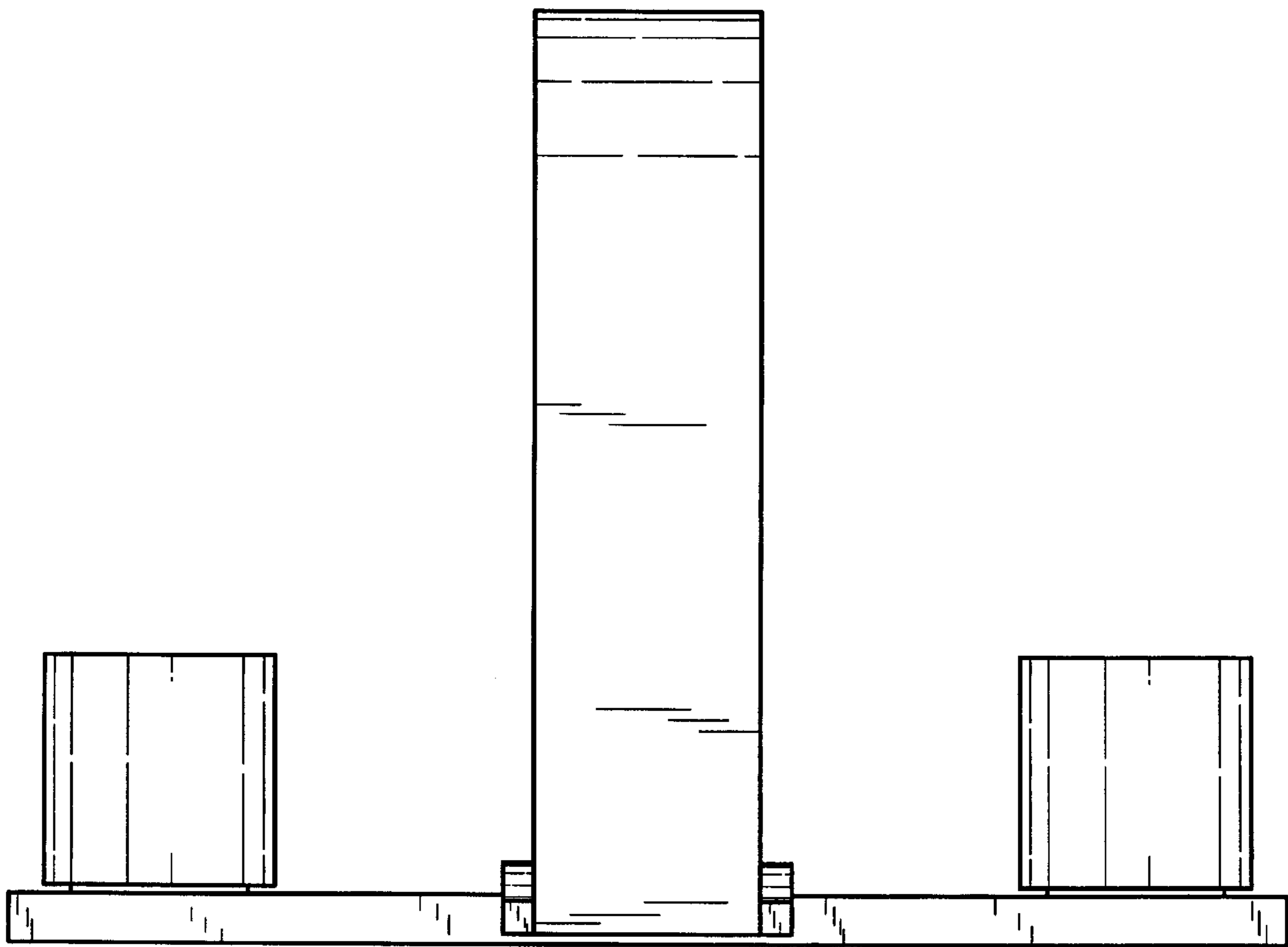
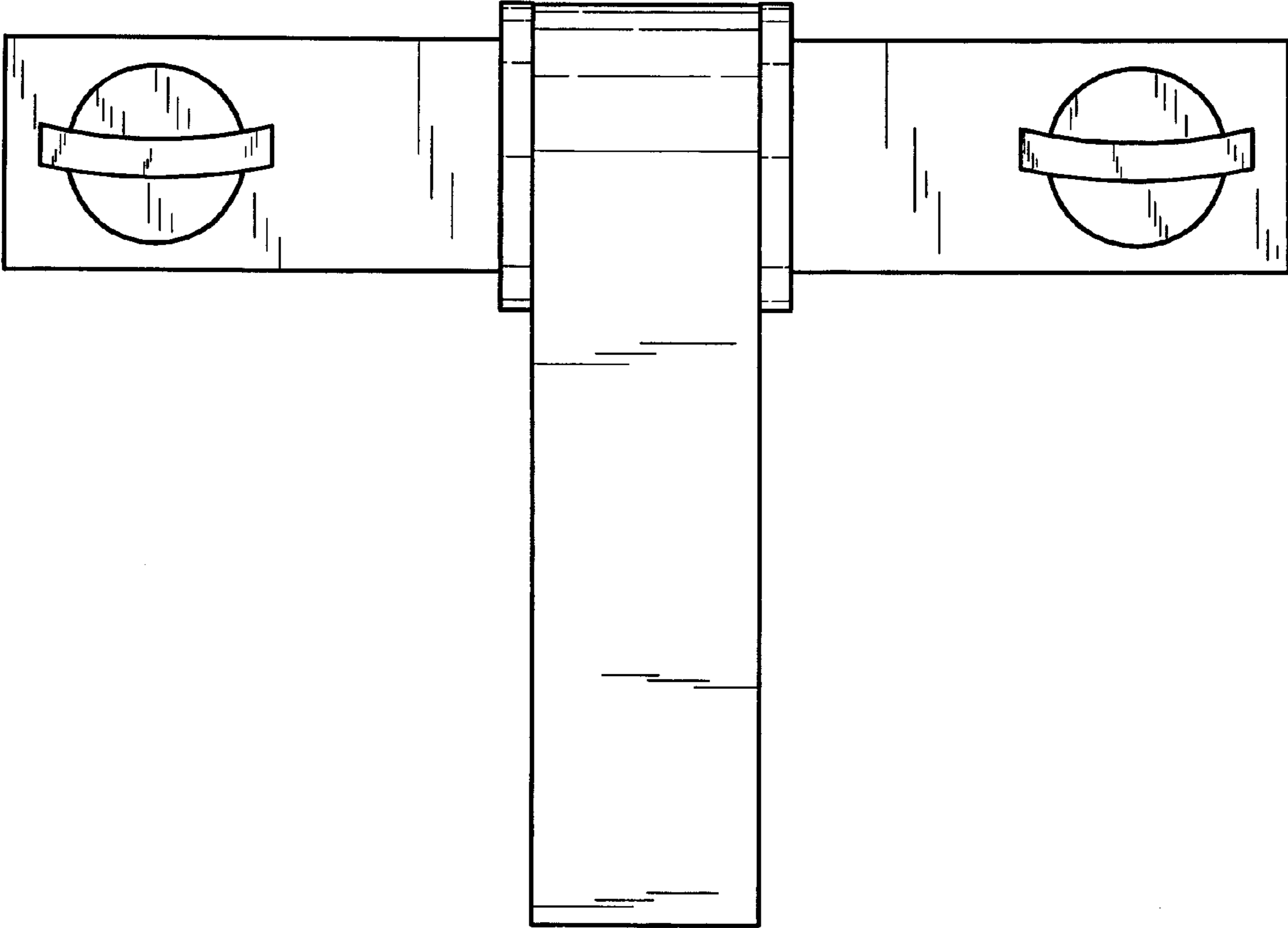


FIG. 2



**FIG. 3**



**FIG. 4**

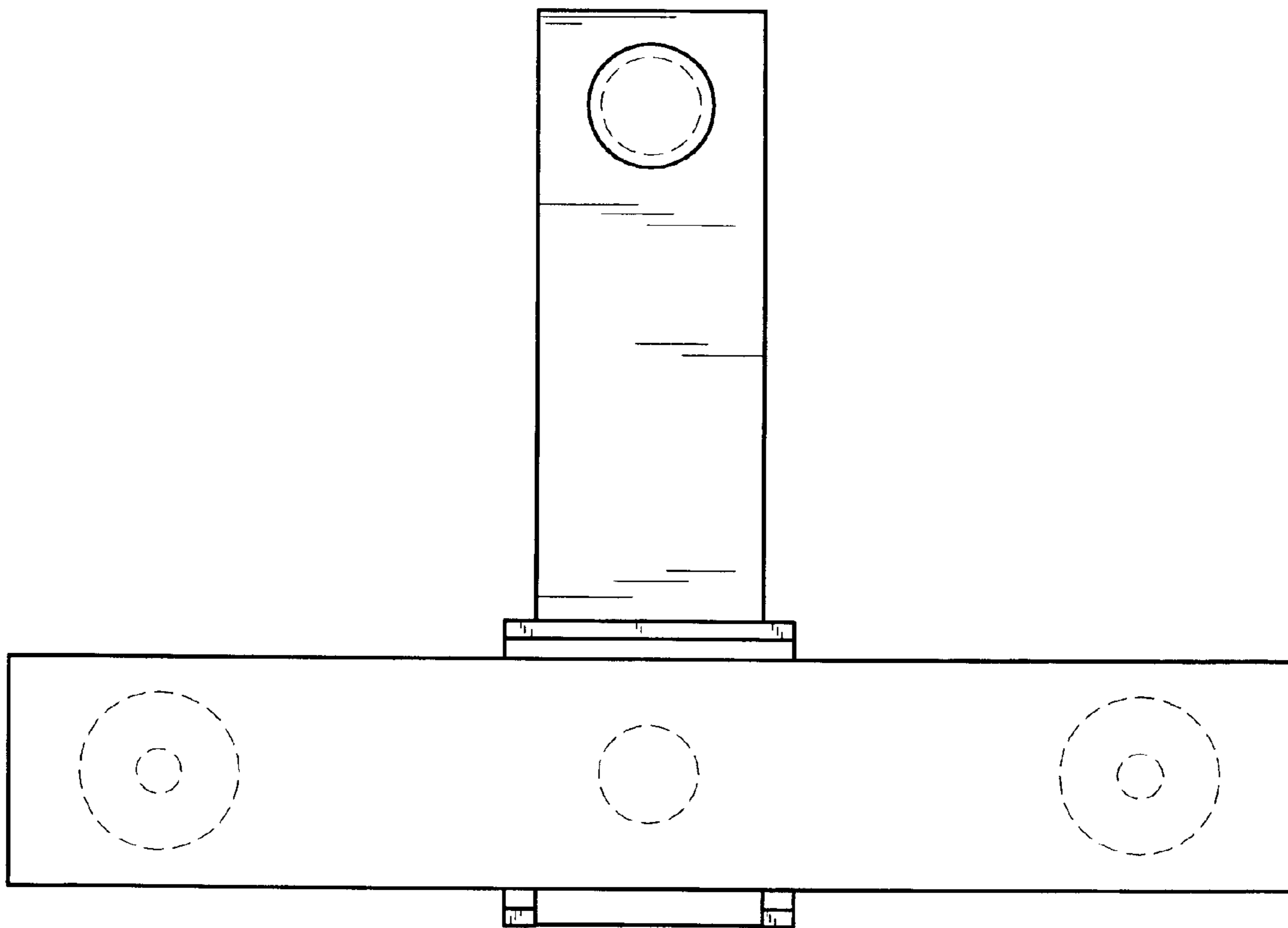
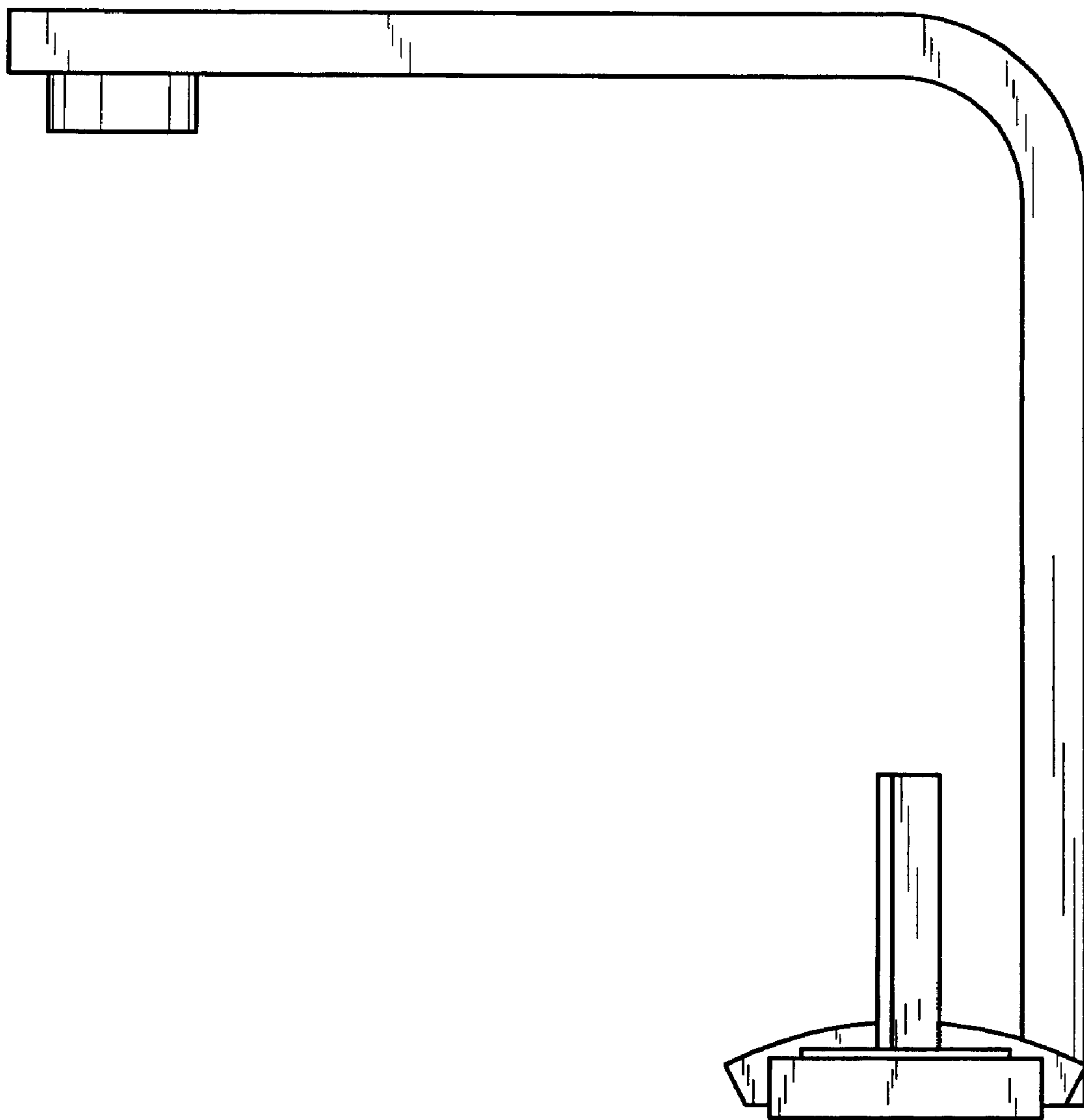
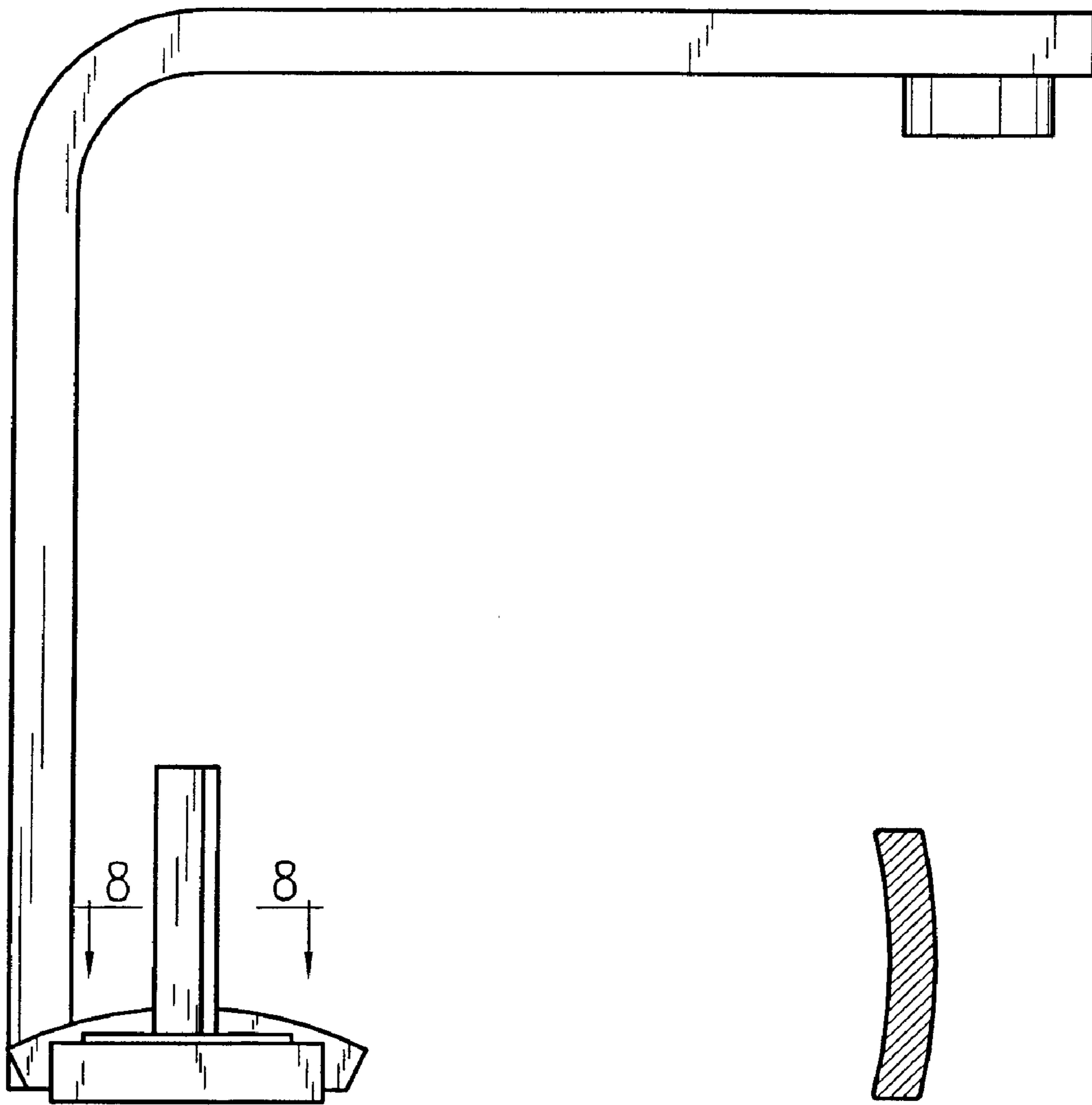


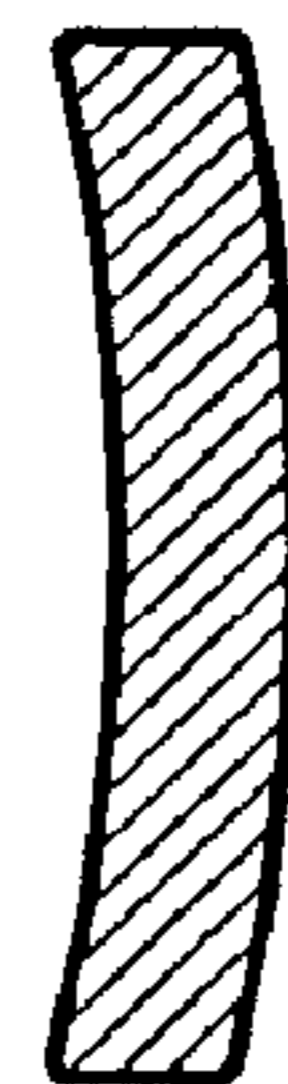
FIG. 5



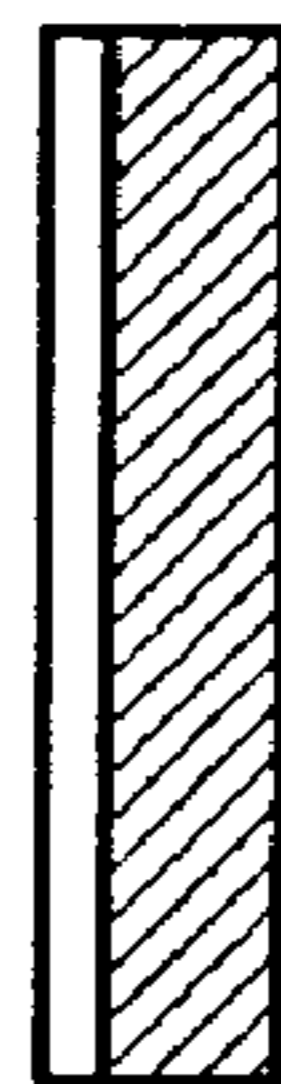
**FIG. 6**



**FIG. 7**



**FIG. 8**



**FIG. 9**