



US00D529584S

(12) **United States Design Patent**  
**Buschmann**

(10) **Patent No.:** **US D529,584 S**

(45) **Date of Patent:** **\*\* Oct. 3, 2006**

(54) **FAUCET**

(75) Inventor: **Kristian Buschmann**, Chicago, IL (US)

(73) Assignee: **Geberit Technik AG** (CH)

(\*\*) Term: **14 Years**

(21) Appl. No.: **29/242,904**

(22) Filed: **Nov. 16, 2005**

(51) **LOC (8) Cl.** ..... **23-01**

(52) **U.S. Cl.** ..... **D23/238**

(58) **Field of Classification Search** ..... D23/238-257;  
4/675-678; 137/801

See application file for complete search history.

(56) **References Cited**

**U.S. PATENT DOCUMENTS**

D353,876 S	*	12/1994	Delabie et al.	.....	D23/238
D421,642 S	*	3/2000	Ko	.....	D23/255
D446,843 S	*	8/2001	Martinez	.....	D23/255
D512,132 S	*	11/2005	Spangler	.....	D23/255

\* cited by examiner

*Primary Examiner*—Louis S. Zarfes

*Assistant Examiner*—Gregory Andoll

(74) *Attorney, Agent, or Firm*—Reinhart Boerner Van Deuren, s.c.

(57) **CLAIM**

The ornamental design for a faucet, as shown and described.

**DESCRIPTION**

FIG. 1 is an isometric view of the faucet of the present invention shown from the upper right front;

FIG. 2 is a top plan view of the faucet illustrated in FIG. 1;

FIG. 3 is a right side elevational view of the faucet illustrated in FIGS. 1 and 2;

FIG. 4 is a left side elevational view of the faucet illustrated in FIGS. 1 through 3;

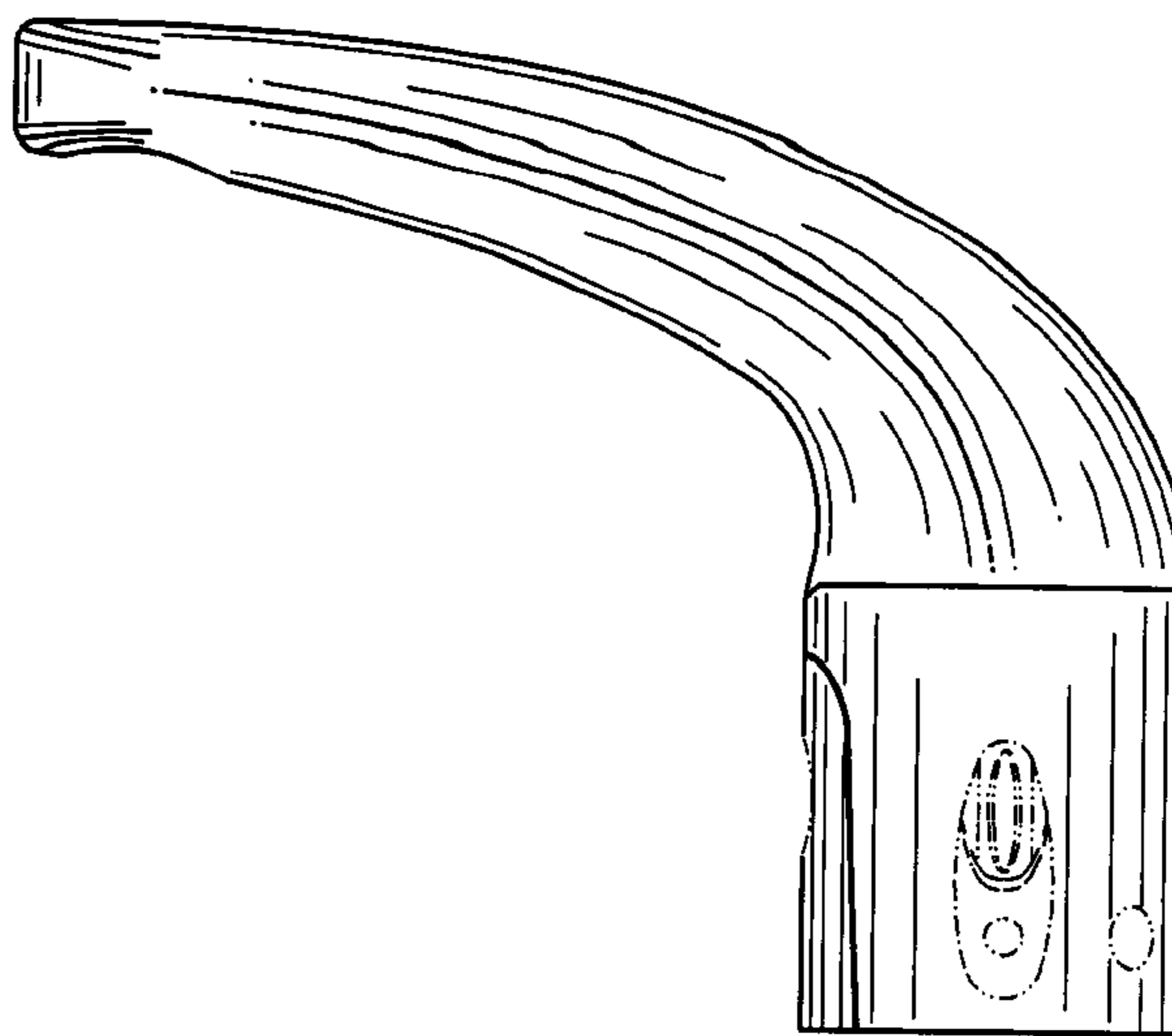
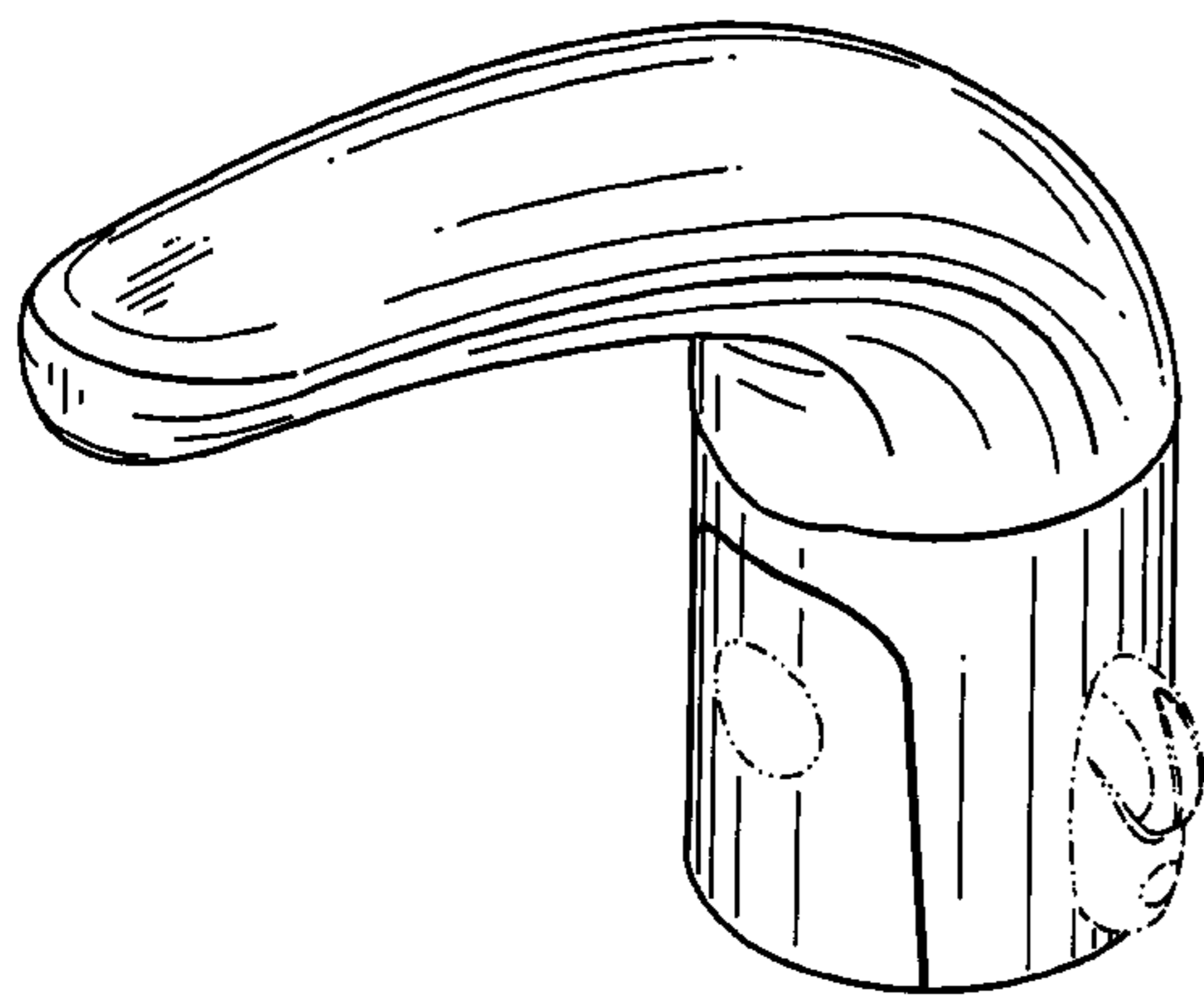
FIG. 5 is a front elevational view of the faucet illustrated in FIGS. 1 through 4;

FIG. 6 is a rear elevational view of the faucet illustrated in FIGS. 1 through 5; and,

FIG. 7 is a bottom plan view of the faucet illustrated in FIGS. 1 through 6.

The broken lines in the Figures are for illustrative purposes only and form no part of the claimed design.

**1 Claim, 3 Drawing Sheets**



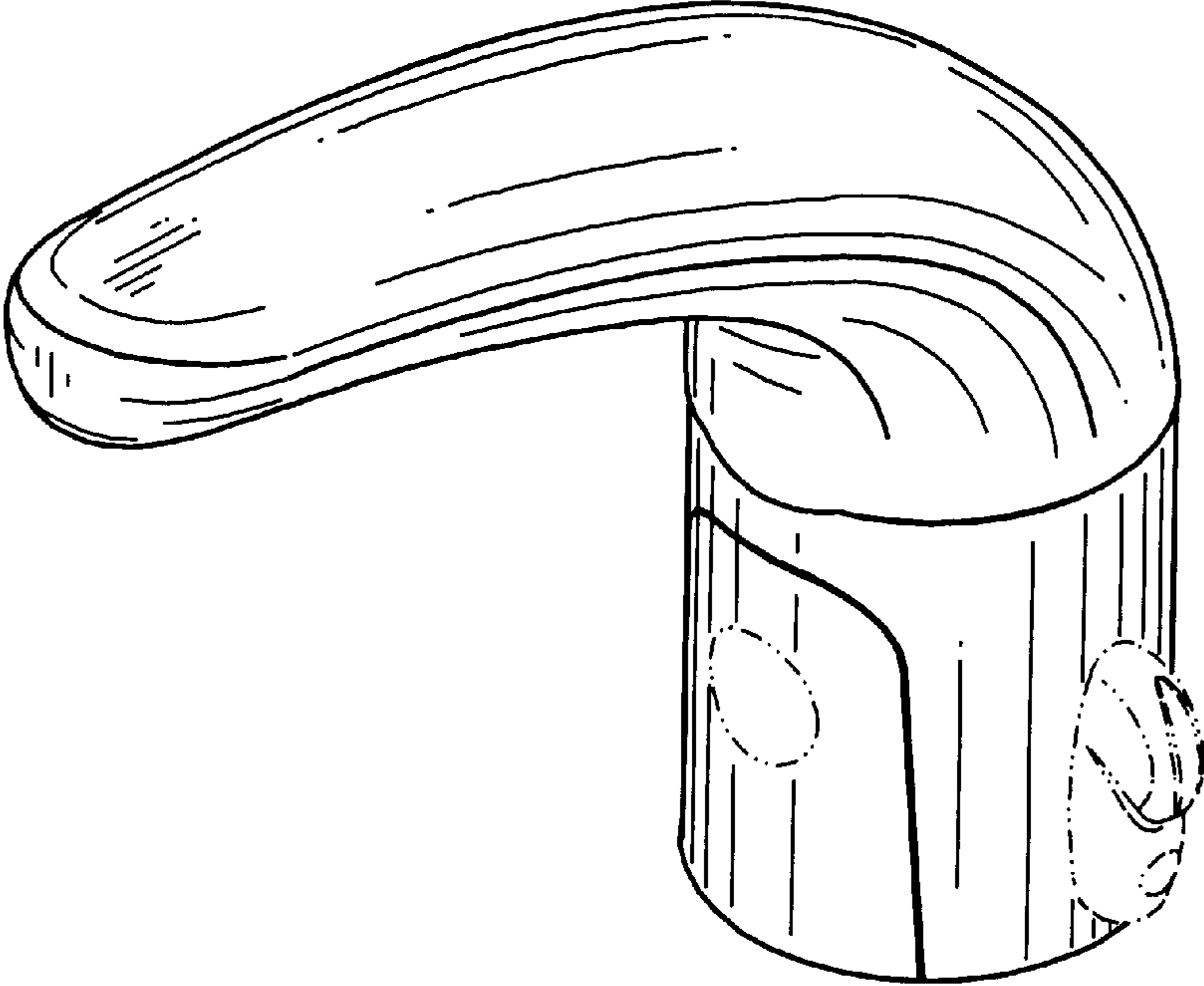
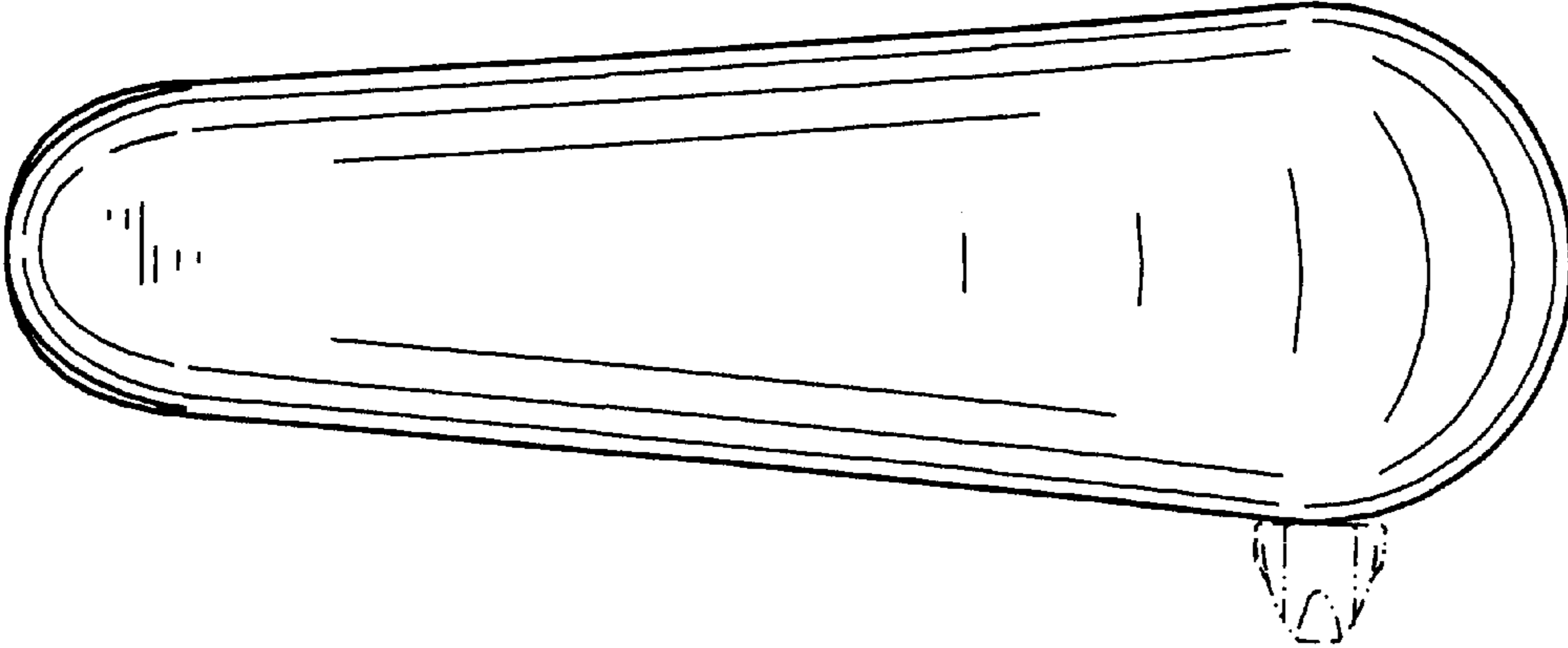


FIG. 1

FIG. 2



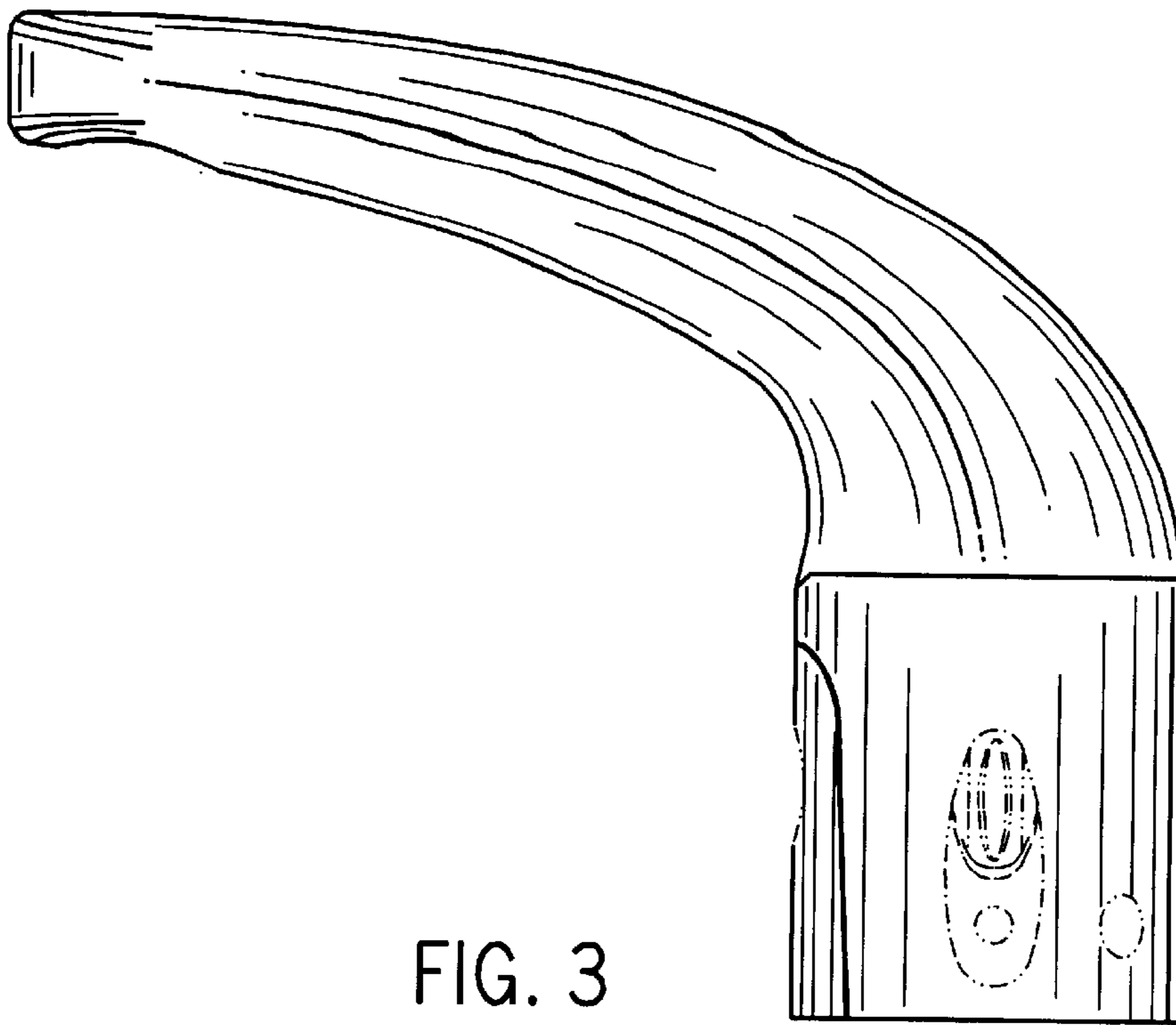


FIG. 3

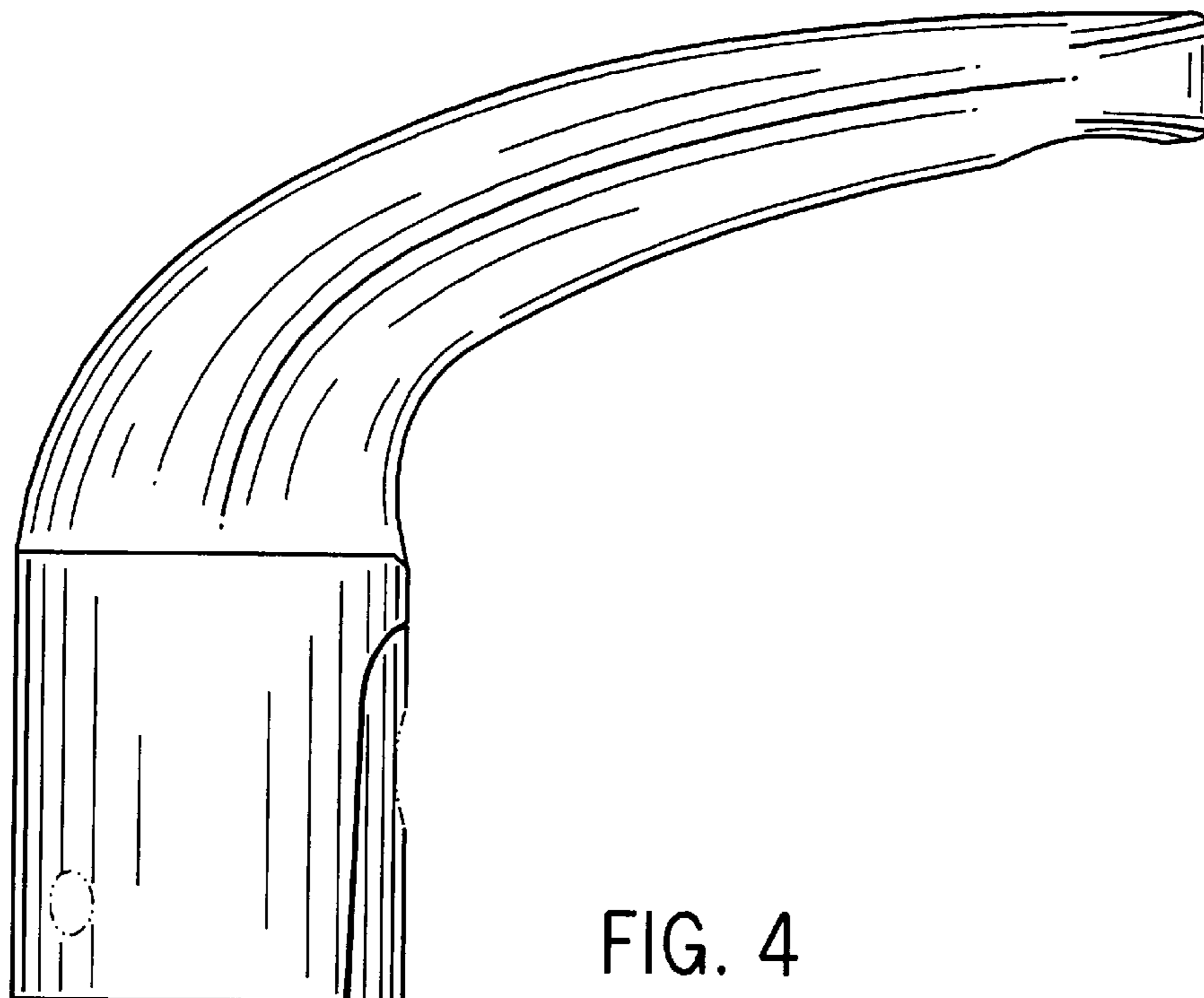


FIG. 4

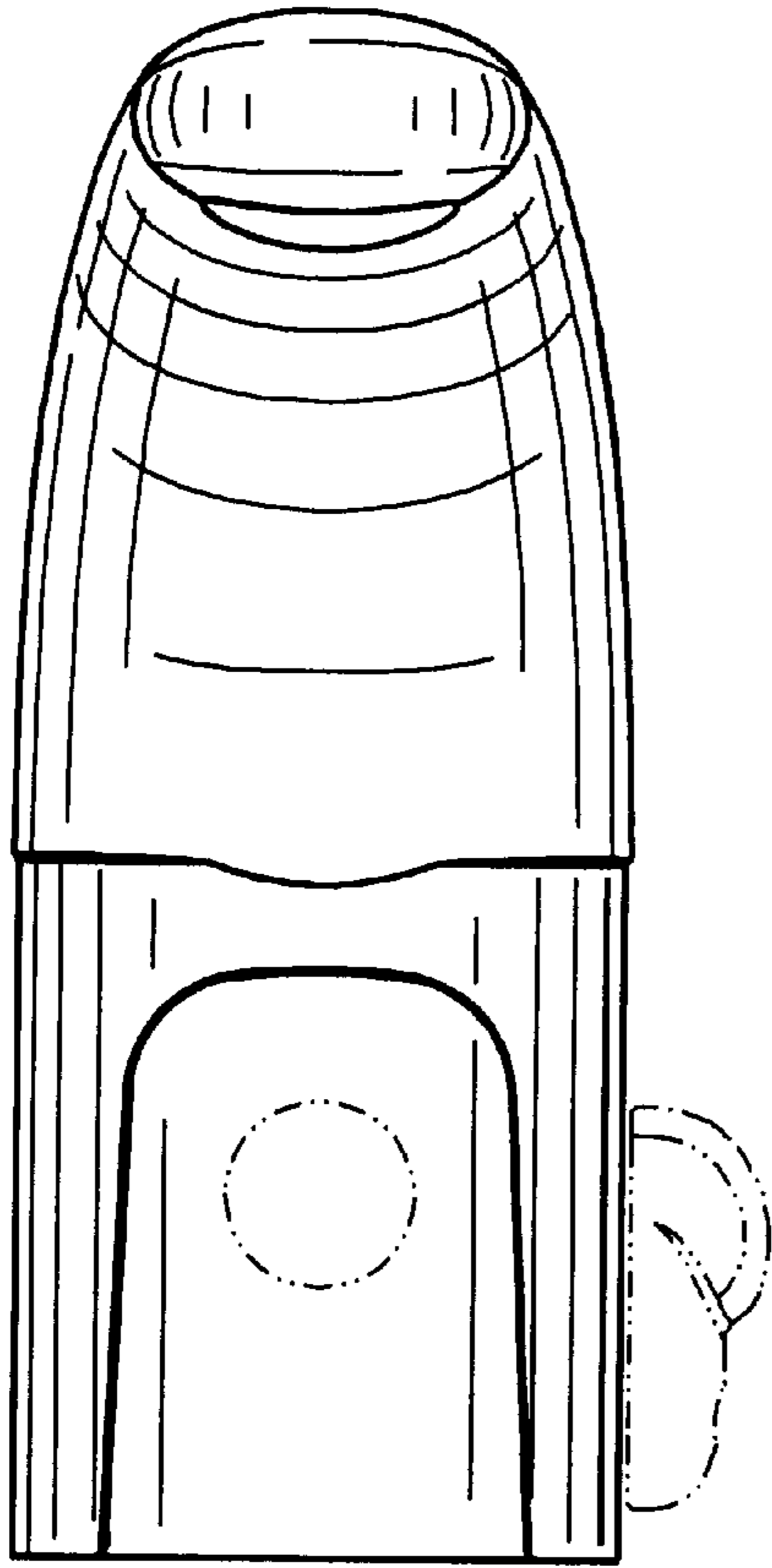


FIG. 5

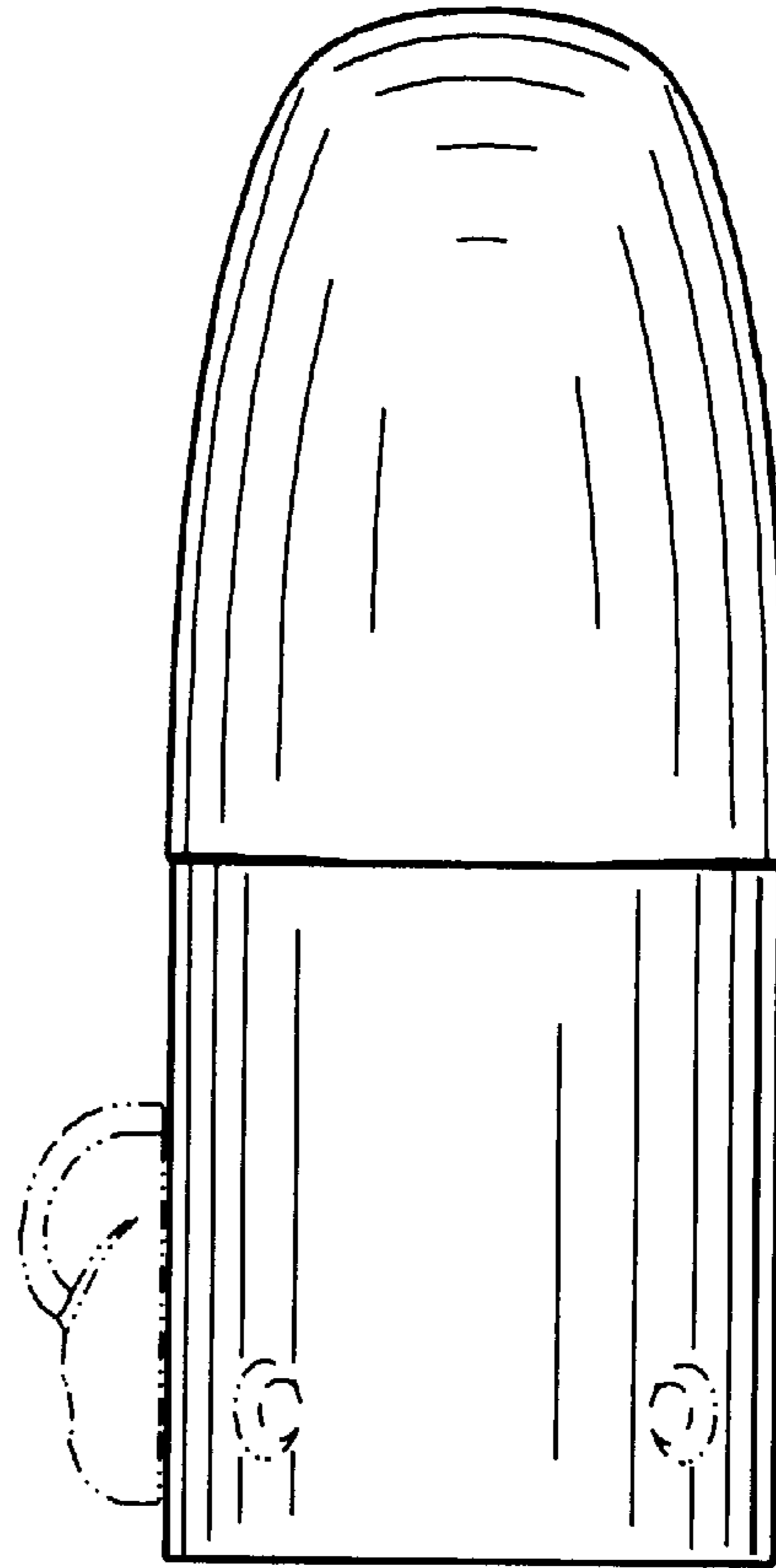


FIG. 6

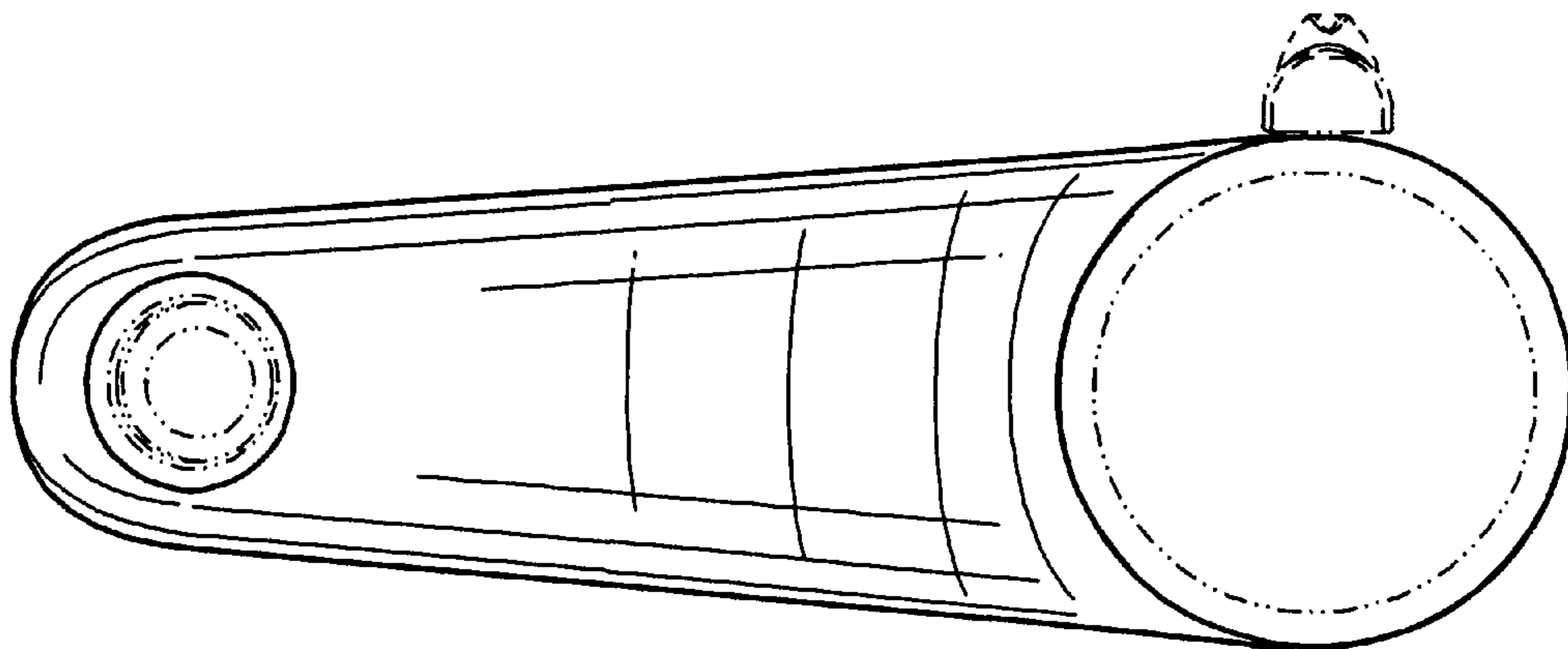


FIG. 7