



US00D529579S

(12) **United States Design Patent**  
**Lopez**

(10) **Patent No.:** **US D529,579 S**

(45) **Date of Patent:** **\*\* Oct. 3, 2006**

(54) **FOOT PEDAL FLUSH VALVE FOR TOILETS**

(75) **Inventor:** **Arturo Villalobos Lopez**, Mexico City (MX)

(73) **Assignee:** **Helvex, S.A. de C.V.**, Mexico City (MX)

(\*\*) **Term:** **14 Years**

(21) **Appl. No.:** **29/219,104**

(22) **Filed:** **Dec. 14, 2004**

(30) **Foreign Application Priority Data**

Jun. 14, 2004 (MX) ..... PA/F/2004/000892

(51) **LOC (8) Cl.** ..... **23-01**

(52) **U.S. Cl.** ..... **D23/235**

(58) **Field of Classification Search** ..... D23/233-237,  
D23/244-250; 251/15, 17, 38, 40, 236, 243,  
251/295; 137/549; 4/305, 422, DIG. 3, 308,  
4/405

See application file for complete search history.

(56) **References Cited**

**U.S. PATENT DOCUMENTS**

D355,478 S \* 2/1995 Allen et al. .... D23/249

5,388,610 A \* 2/1995 Chuang ..... 137/549  
D366,929 S \* 2/1996 Allen et al. .... D23/236  
5,802,626 A \* 9/1998 Bedana ..... 4/308  
6,089,542 A \* 7/2000 Caravella et al. .... 251/295  
D434,110 S \* 11/2000 Kim ..... D23/236  
2005/0172389 A1 \* 8/2005 Herbst ..... 4/405

\* cited by examiner

*Primary Examiner*—Ian Simmons

*Assistant Examiner*—Maurice Stevens

(74) *Attorney, Agent, or Firm*—Connolly Bove Lodge & Hutz LLP

(57) **CLAIM**

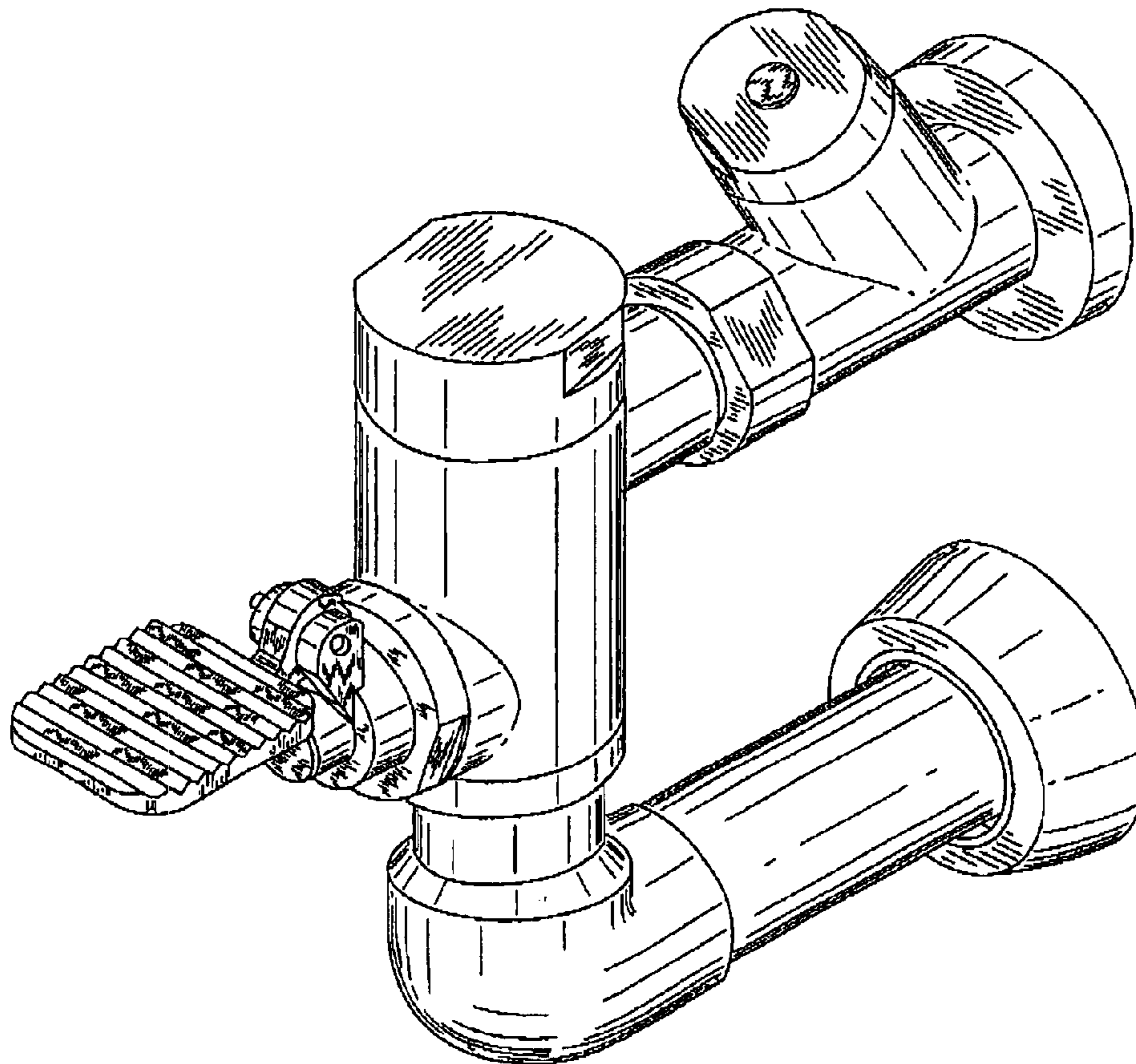
The ornamental design for a foot pedal flush valve for toilets, as shown and described.

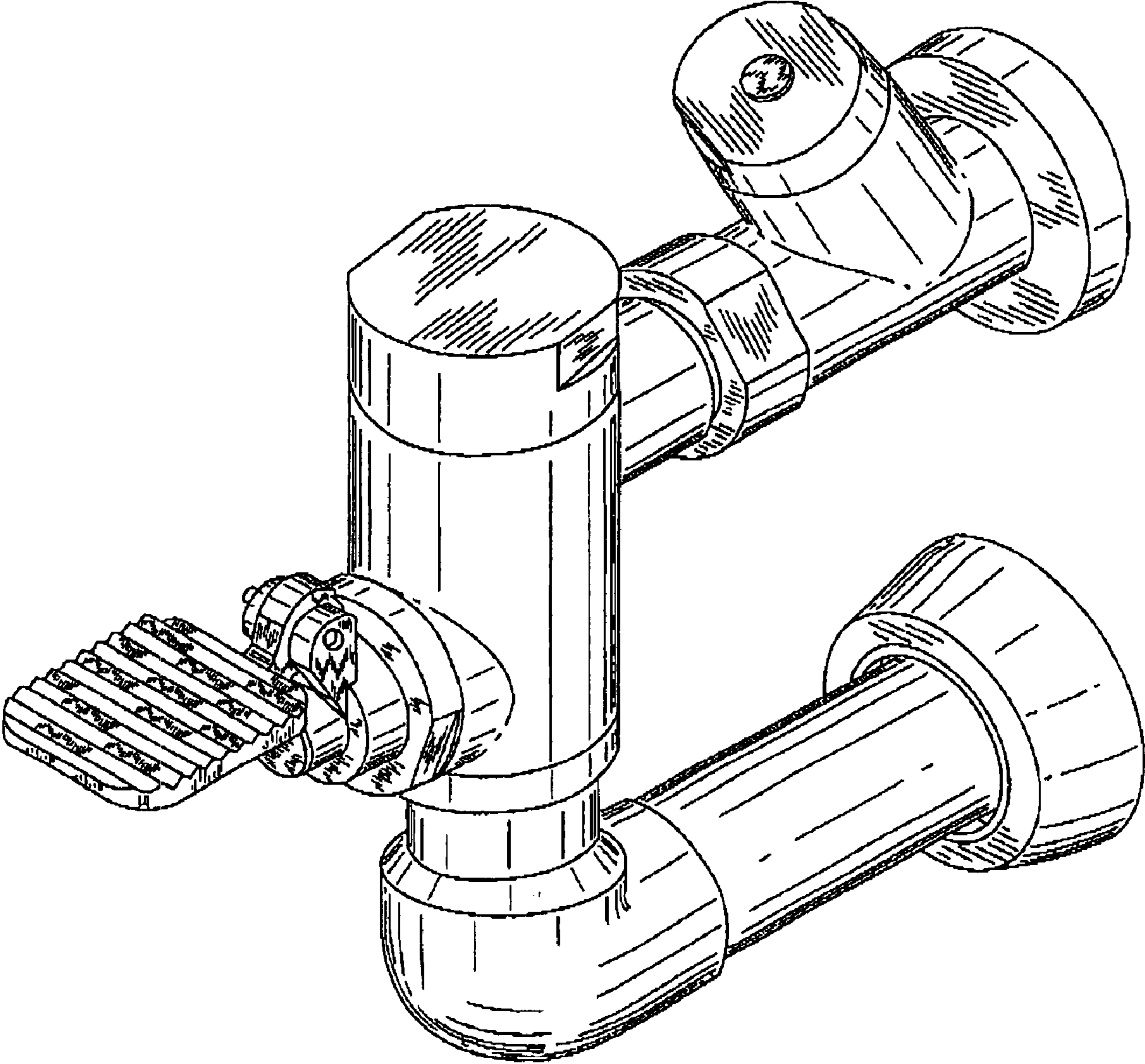
**DESCRIPTION**

FIG. 1 is a right side perspective view of a foot pedal flush valve for toilets, in which the design and the relative proportions thereof are shown; and, FIG. 2 is a left side perspective view of the foot pedal flush valve, in which the design and the relative proportions thereof are shown.

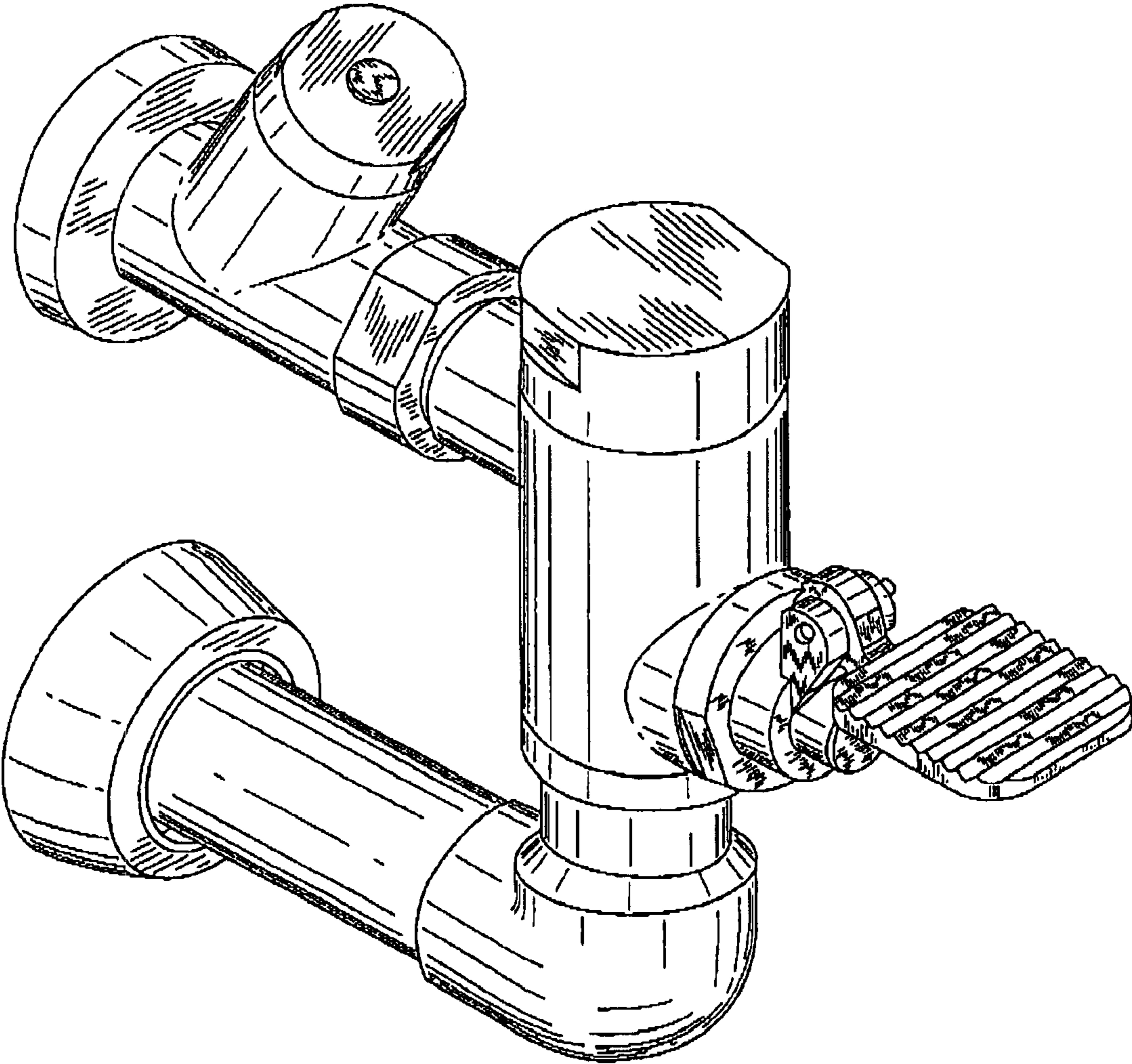
In the figures, dark shading represents surface reflections.

**1 Claim, 2 Drawing Sheets**





**FIG. 1**



**FIG. 2**