

US00D529578S

(12) **United States Design Patent**
Yamamoto

(10) **Patent No.:** **US D529,578 S**

(45) **Date of Patent:** **** Oct. 3, 2006**

(54) **FUEL CANISTER DISPENSING VALVE**

(75) Inventor: **Kunio Yamamoto**, Hitachinaka (JP)

(73) Assignee: **Hitachi Koki Co., Ltd.**, Tokyo (JP)

(**) Term: **14 Years**

(21) Appl. No.: **29/228,485**

(22) Filed: **Apr. 25, 2005**

(30) **Foreign Application Priority Data**

Oct. 25, 2004 (JP) 2004-032261

(51) **LOC (8) Cl.** **23-01**

(52) **U.S. Cl.** **D23/233**

(58) **Field of Classification Search** D23/233-237,
D23/244-249; D9/434-435, 447-448; 222/189.01-189.03,
222/189.05, 541.7, 541.8, 566-567, 570-571,
222/575, 1, 153.11, 402.1, 402.11-402.14,
222/402.24

See application file for complete search history.

(56) **References Cited**

U.S. PATENT DOCUMENTS

5,115,944 A * 5/1992 Nikolich 222/94
D361,037 S * 8/1995 Jonsson D9/447
D393,064 S * 3/1998 Dawson et al. D23/499

D440,631 S * 4/2001 Shipway D23/233

D452,554 S * 12/2001 McKee et al. D23/233

D457,811 S 5/2002 Vanstaen et al.

D467,769 S * 12/2002 Riendeau D9/447

D469,014 S * 1/2003 Loghman-Adham et al. D9/448

* cited by examiner

Primary Examiner—Ian Simmons

Assistant Examiner—Maurice Stevens

(74) *Attorney, Agent, or Firm*—Sughrue Mion, PLLC

(57) **CLAIM**

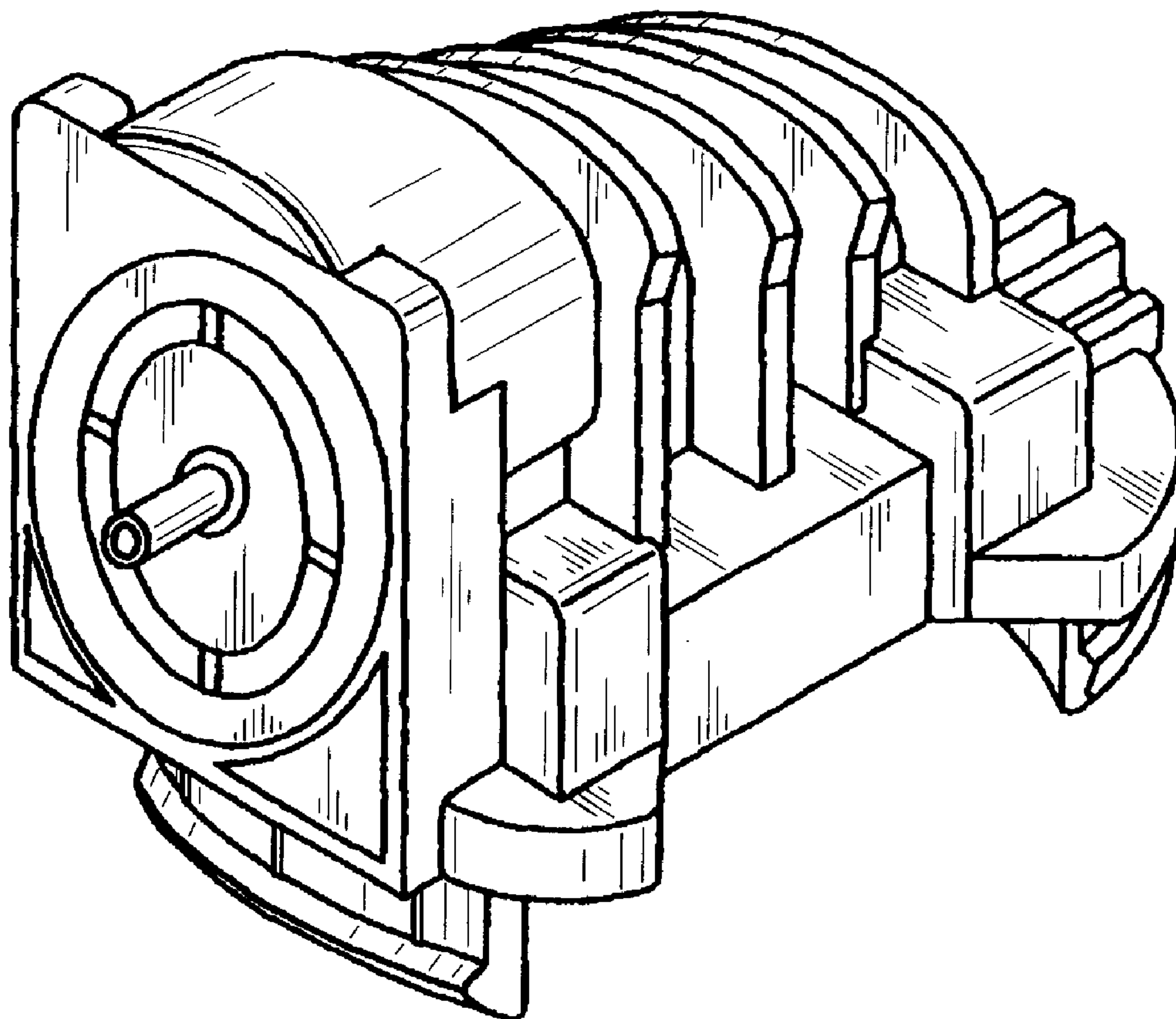
The ornamental design for a fuel canister dispensing valve,
as shown and described.

DESCRIPTION

FIG. 1 is a perspective view of the top, front and left side of
a fuel canister dispensing valve showing my new design;
FIG. 2 is a front elevational view thereof;
FIG. 3 is a right side elevational view thereof;
FIG. 4 is a left side elevational view thereof;
FIG. 5 is a top plan view thereof;
FIG. 6 is a bottom plan view thereof; and,
FIG. 7 is a perspective view showing usage thereof.

The portions shown in broken lines are for illustrative
purposes only and form no part of the claimed design.

1 Claim, 4 Drawing Sheets



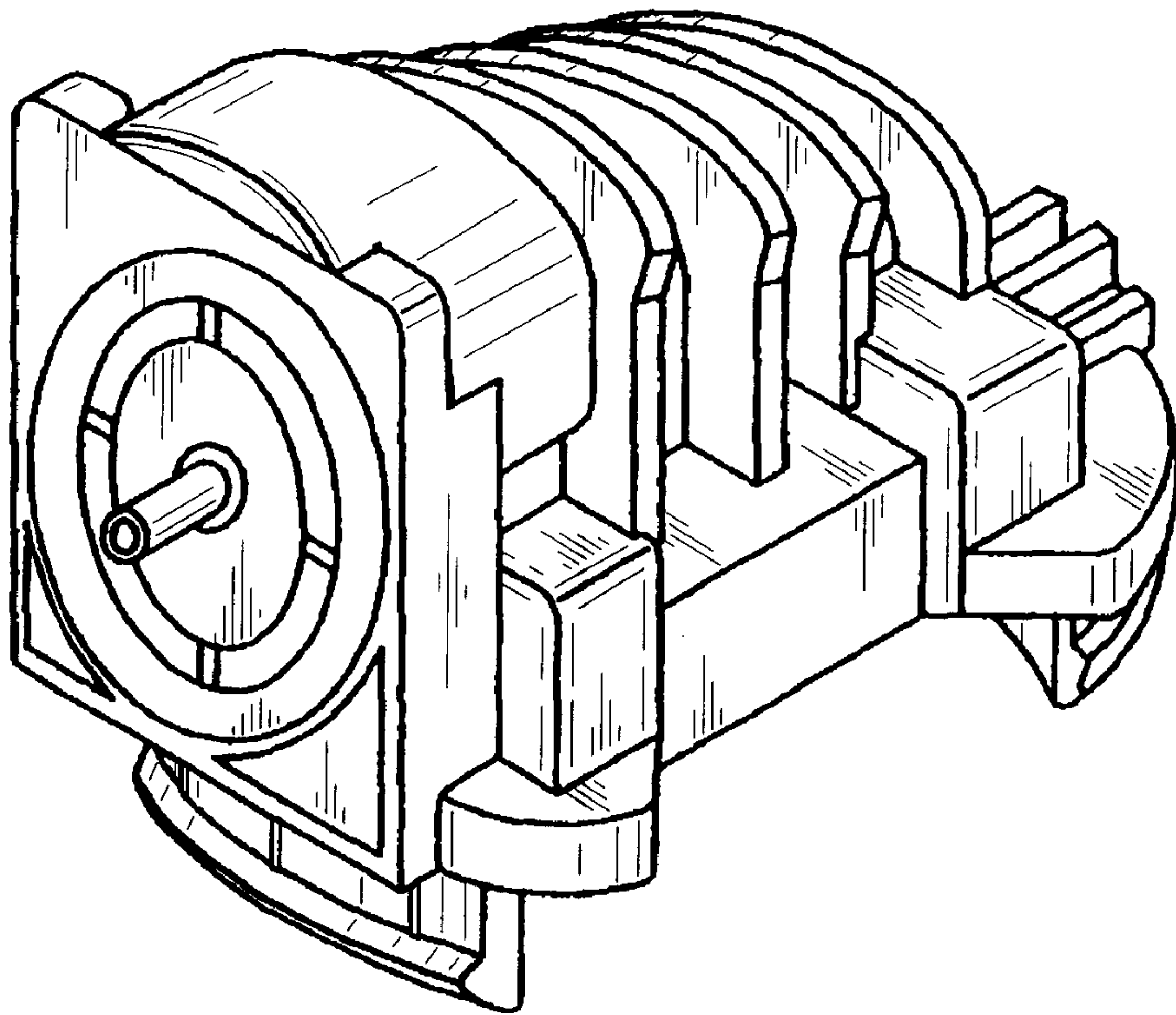


FIG. 1

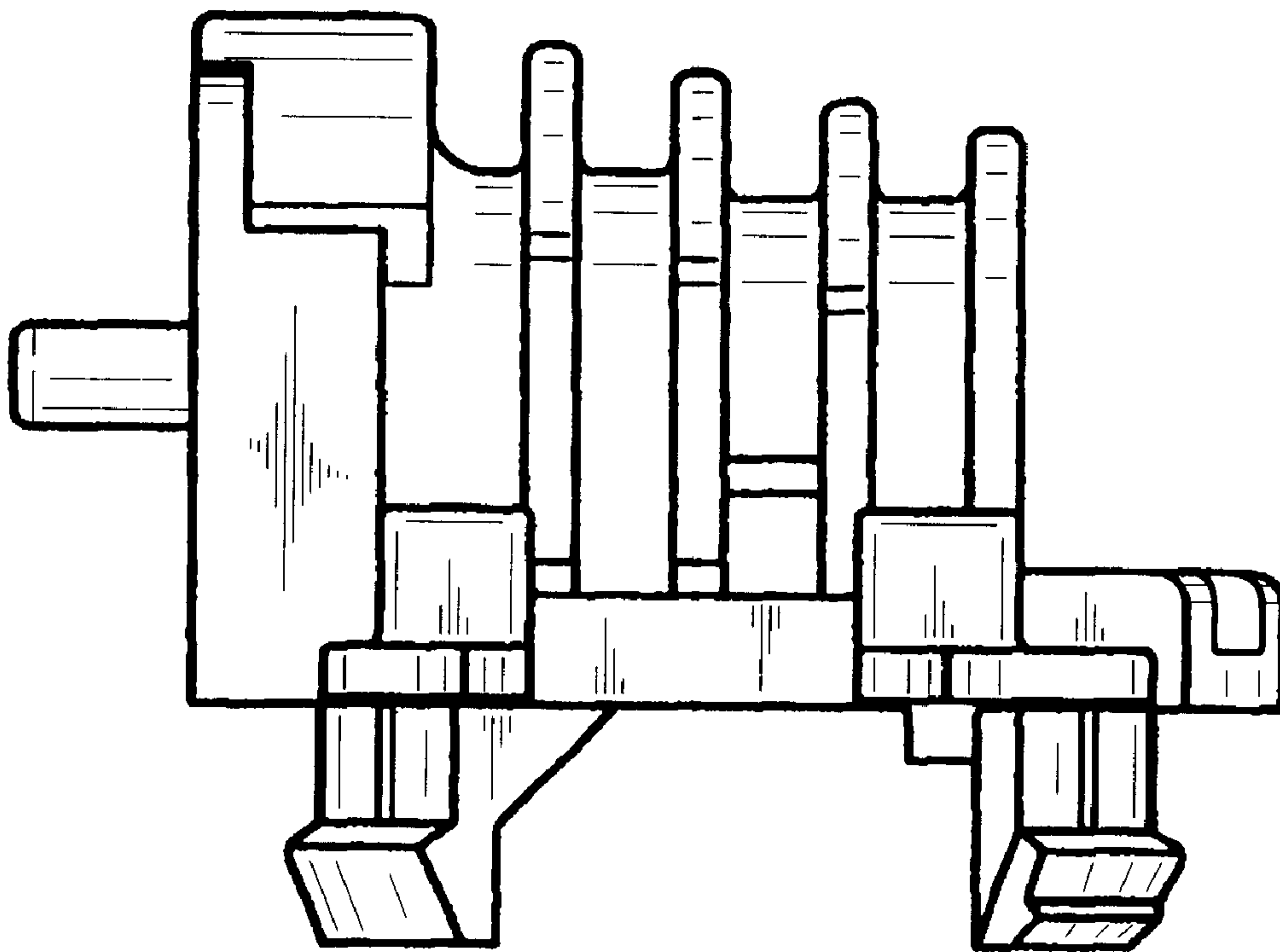


FIG. 2

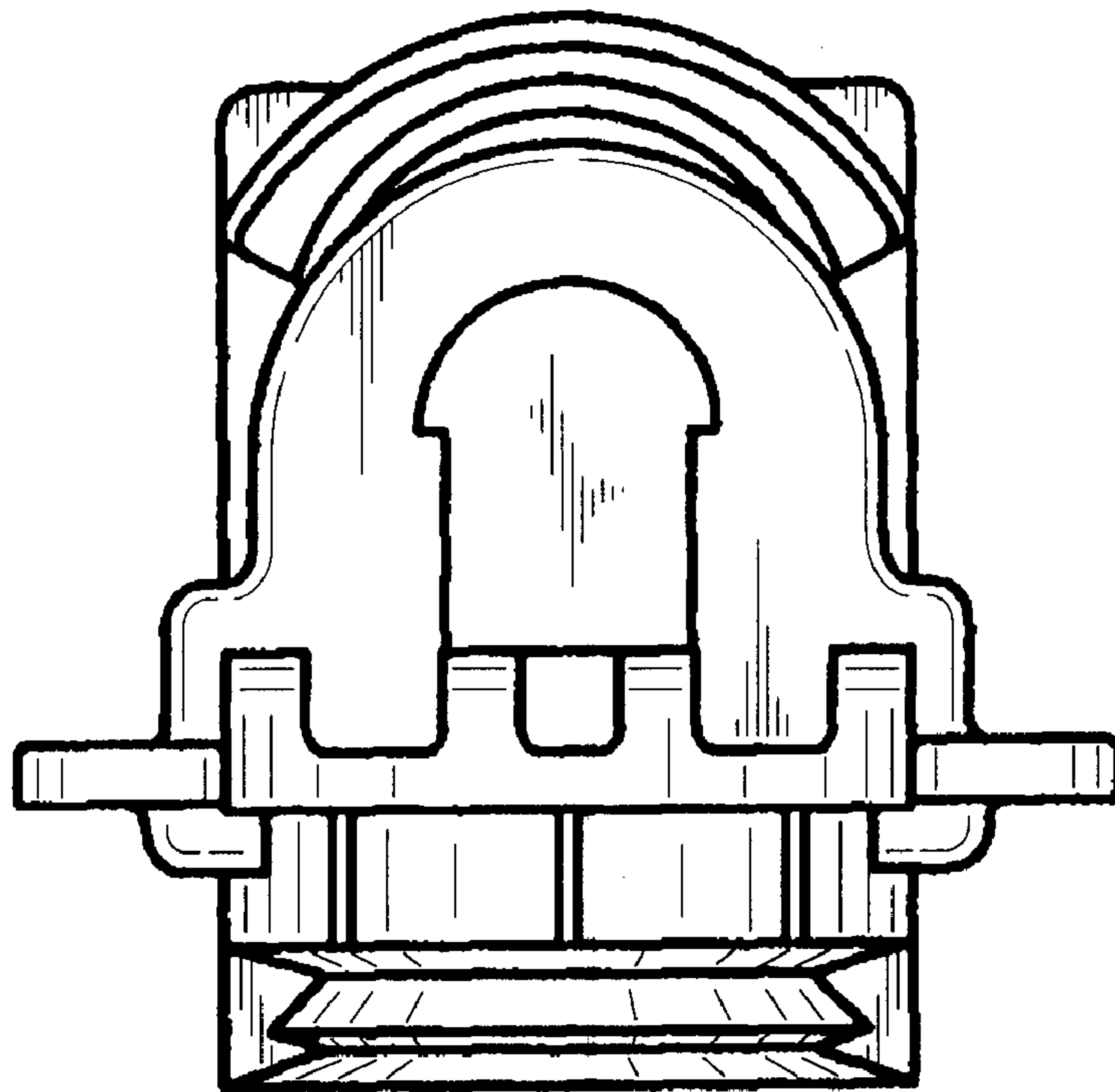


FIG. 3

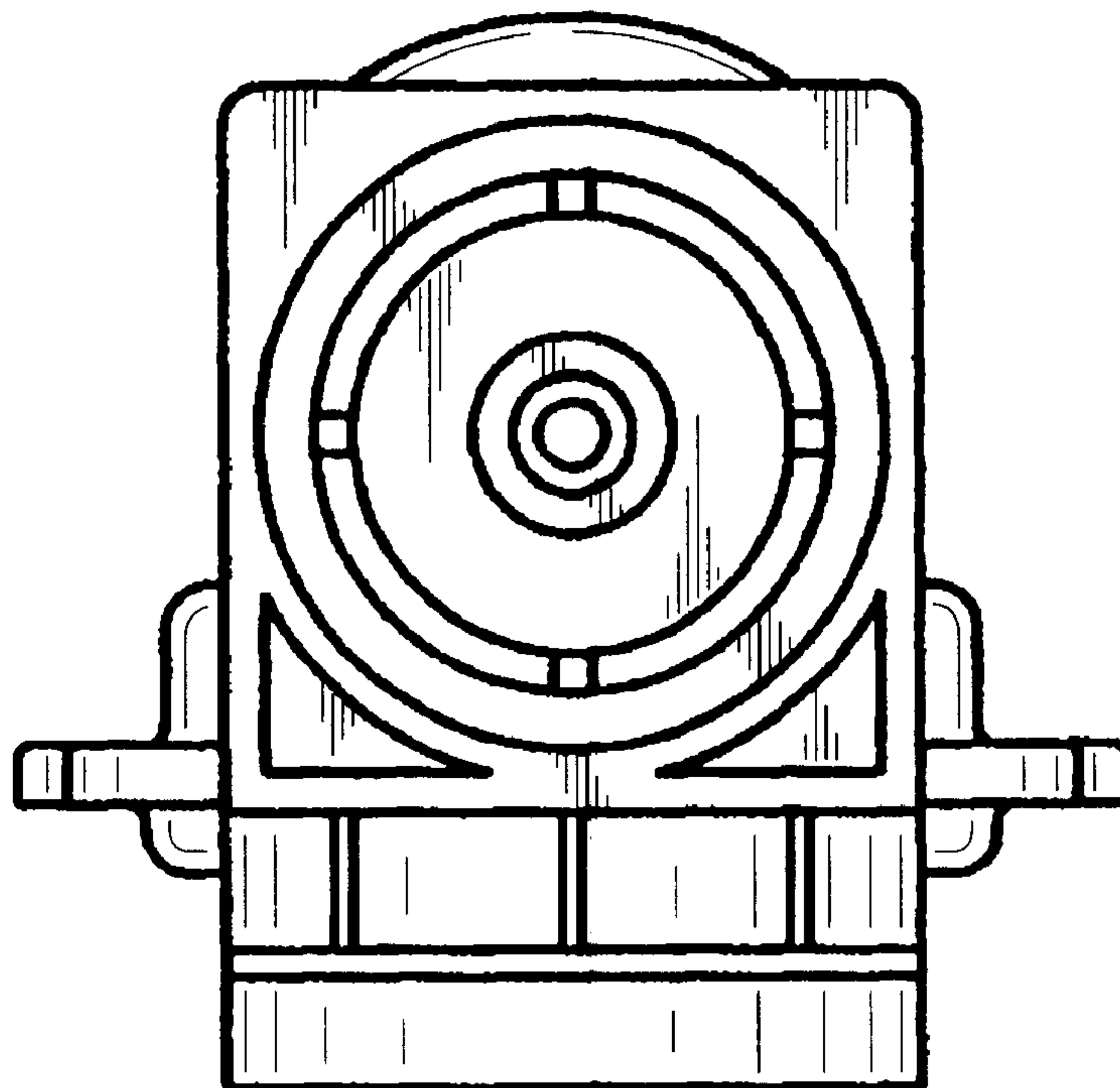


FIG. 4

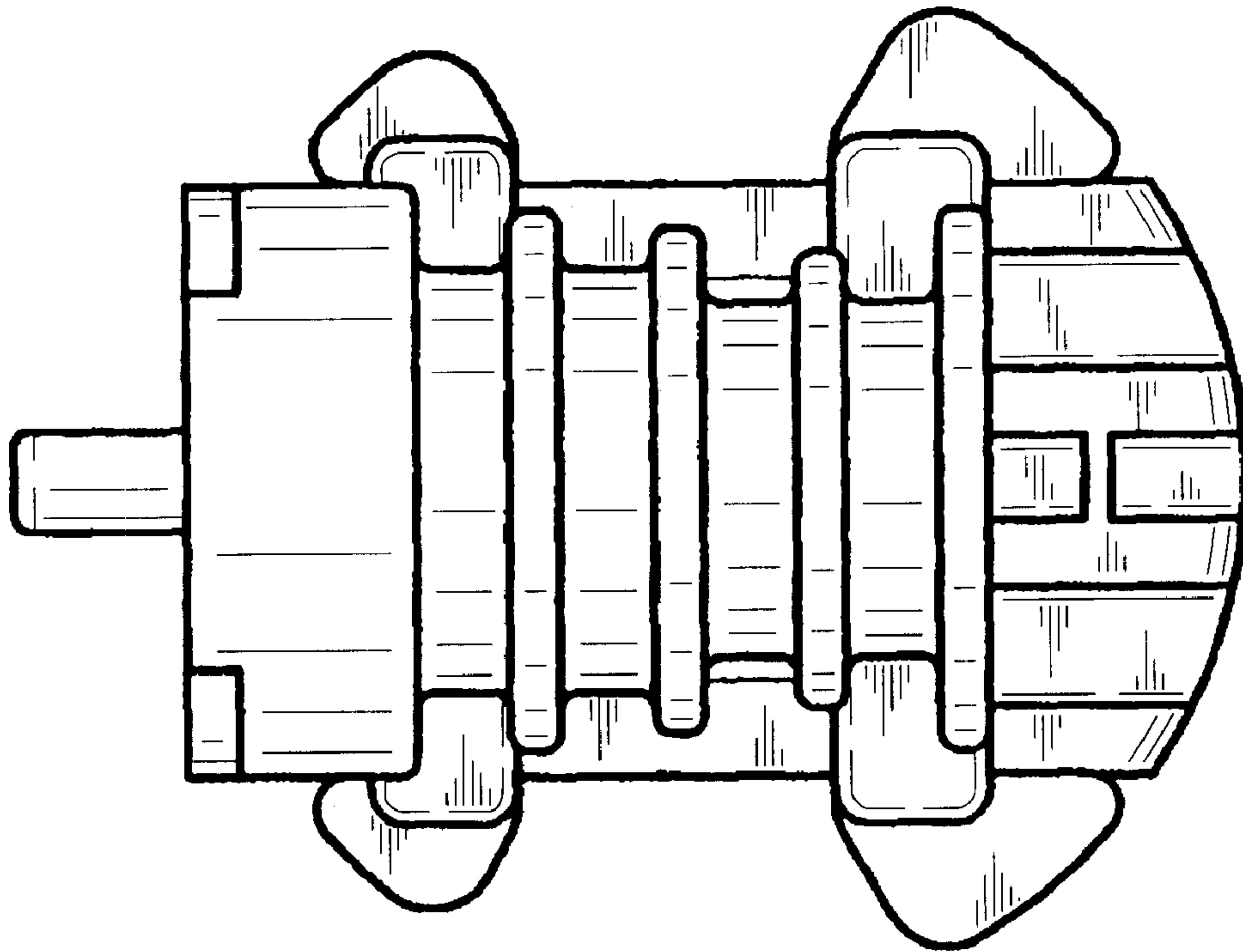


FIG. 5

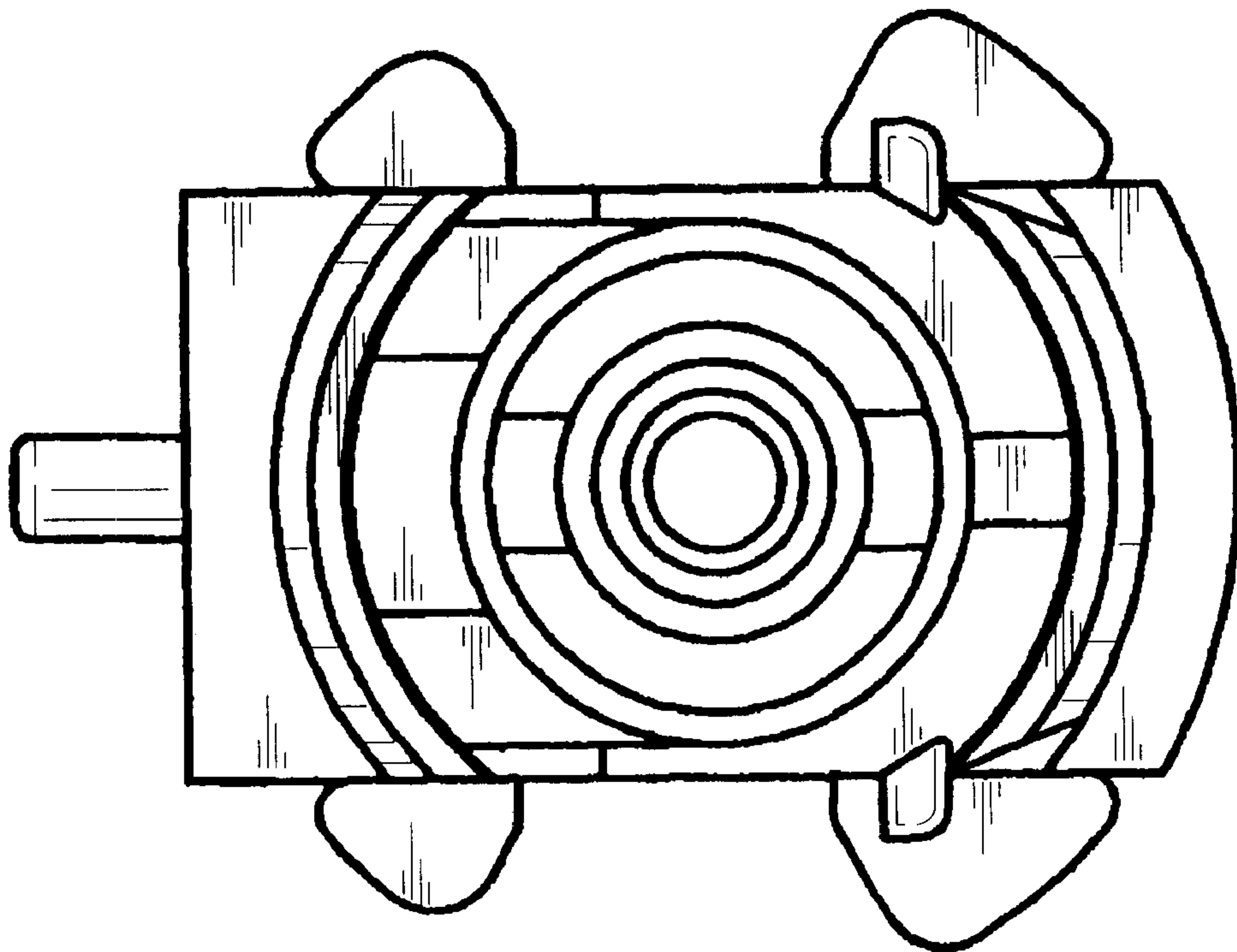


FIG. 6

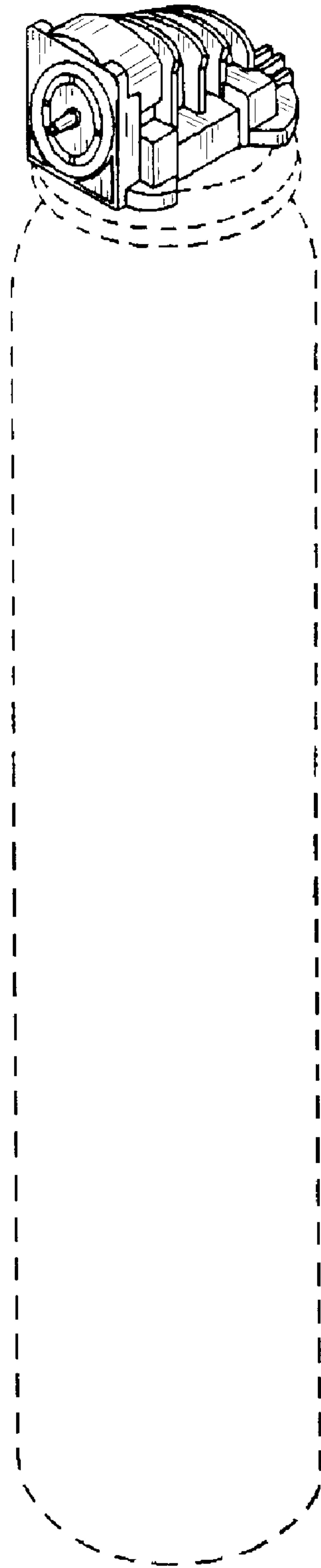


FIG. 7