



US00D529575S

(12) **United States Design Patent**  
**Birrenkott et al.**

(10) **Patent No.:** **US D529,575 S**

(45) **Date of Patent:** **\*\* Oct. 3, 2006**

(54) **SPRAYER AND CARTRIDGE**

(75) Inventors: **Brian Birrenkott**, Dublin, OH (US);  
**Steve Cichy**, Marysville, OH (US);  
**Michael Cavins**, Marysville, OH (US);  
**Jon Ferhrman**, Marysville, OH (US);  
**Jon Moyer**, Columbus, OH (US); **Paul Havlovitz**, Dublin, OH (US)

(73) Assignee: **OMS Investments, Inc.**, Los Angeles, CA (US)

(\*\*) Term: **14 Years**

(21) Appl. No.: **29/241,854**

(22) Filed: **Nov. 1, 2005**

**Related U.S. Application Data**

(62) Division of application No. 29/215,112, filed on Oct. 13, 2004, now Pat. No. Des. 524,906.

(51) **LOC (8) Cl.** ..... **23-01**

(52) **U.S. Cl.** ..... **D23/223; D23/225**

(58) **Field of Classification Search** ..... D23/213,  
D23/223, 225; 239/459, 345, 310, 312, 317  
See application file for complete search history.

(56) **References Cited**

**U.S. PATENT DOCUMENTS**

6,213,410 B1 \* 4/2001 Spitznagel ..... 239/345

6,419,166 B1 \* 7/2002 Brzezinski et al. .... 239/310  
6,536,684 B1 \* 3/2003 Wei ..... 239/302  
6,712,292 B1 \* 3/2004 Gosis et al. .... 239/345  
6,726,123 B1 \* 4/2004 Wang ..... 239/310

\* cited by examiner

*Primary Examiner*—Robin Webster

(74) *Attorney, Agent, or Firm*—Welsh & Katz, Ltd.

(57) **CLAIM**

The ornamental design for a sprayer and cartridge, as shown and described.

**DESCRIPTION**

FIG. 1 is an isometric view of the sprayer and cartridge showing the new design;

FIG. 2 is a front elevation view thereof;

FIG. 3 is a rear elevation view thereof;

FIG. 4 is a left side elevation view thereof;

FIG. 5 is a right side elevation view thereof;

FIG. 6 is a top plan view thereof; and,

FIG. 7 is a bottom plan view thereof.

The broken lines showing is for illustrative purposes only and forms no part of the claimed design.

**1 Claim, 3 Drawing Sheets**

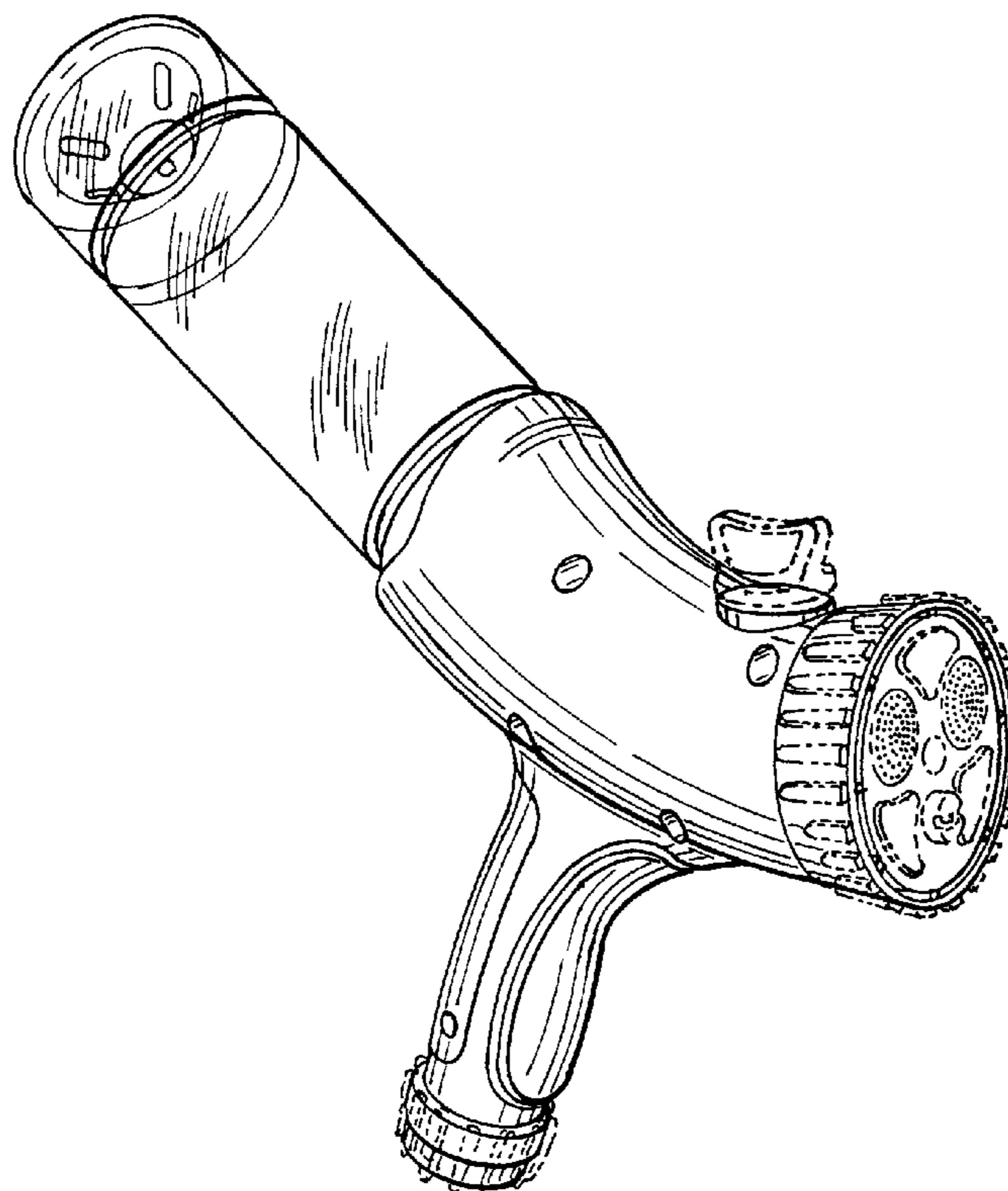
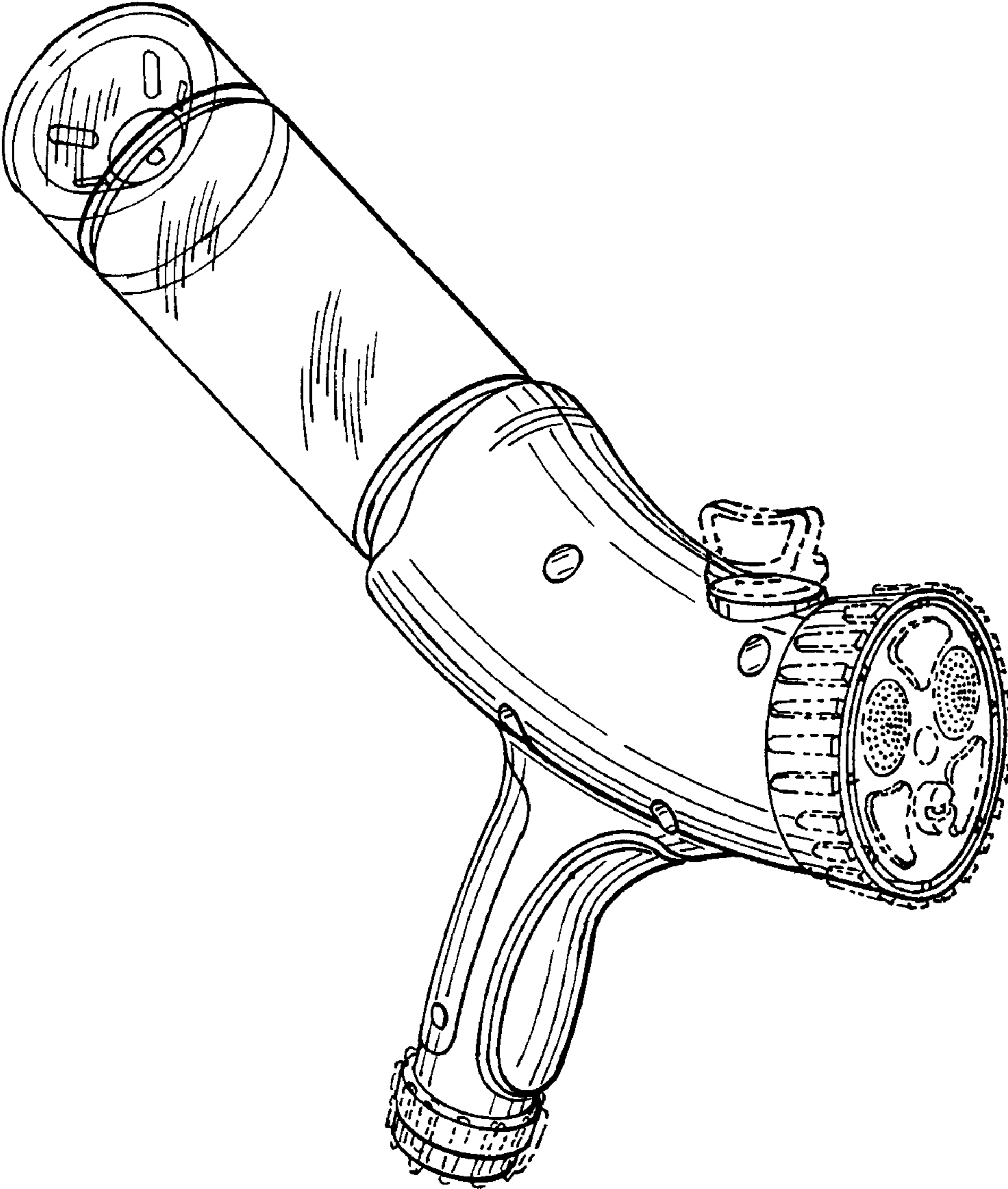


FIG. 1



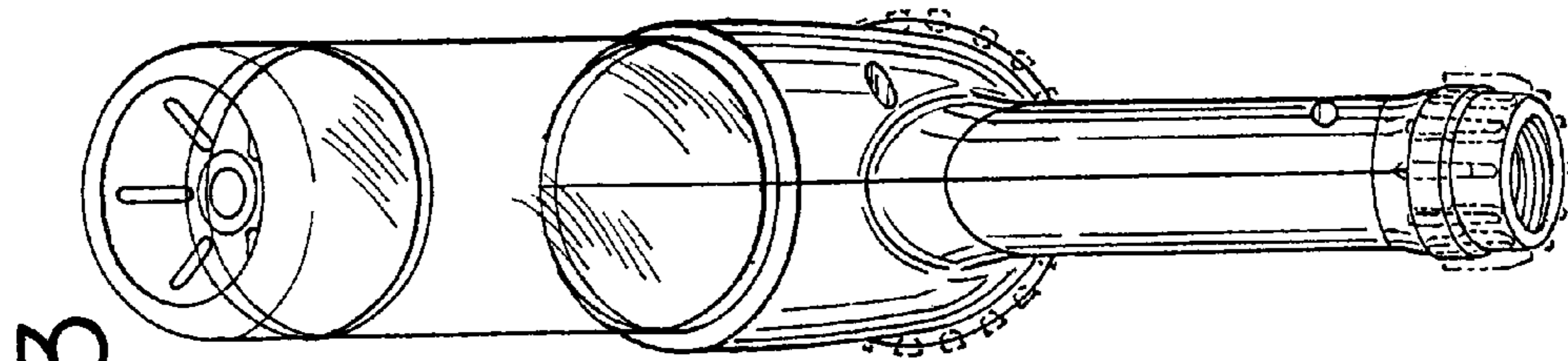


FIG.3

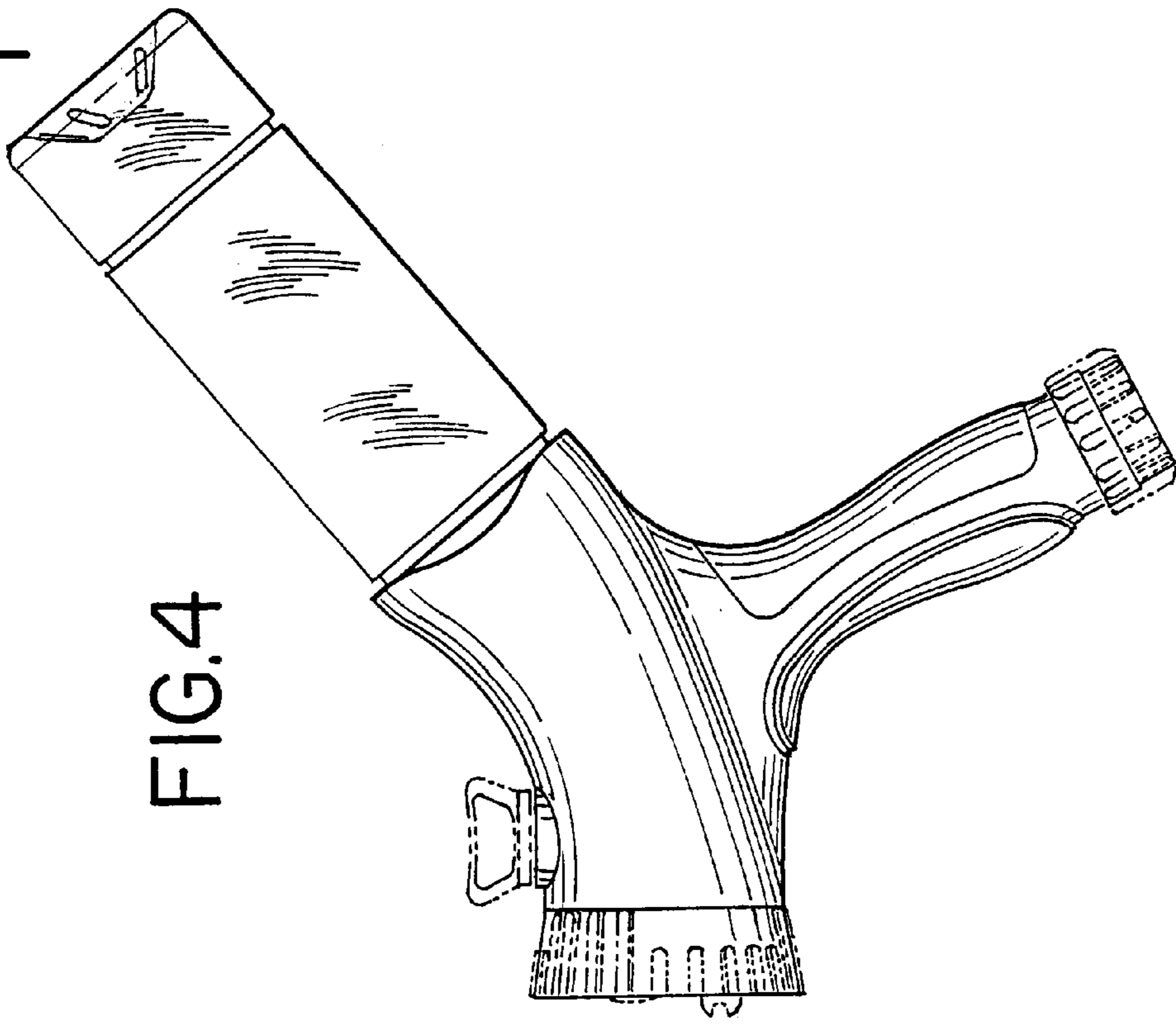


FIG.4

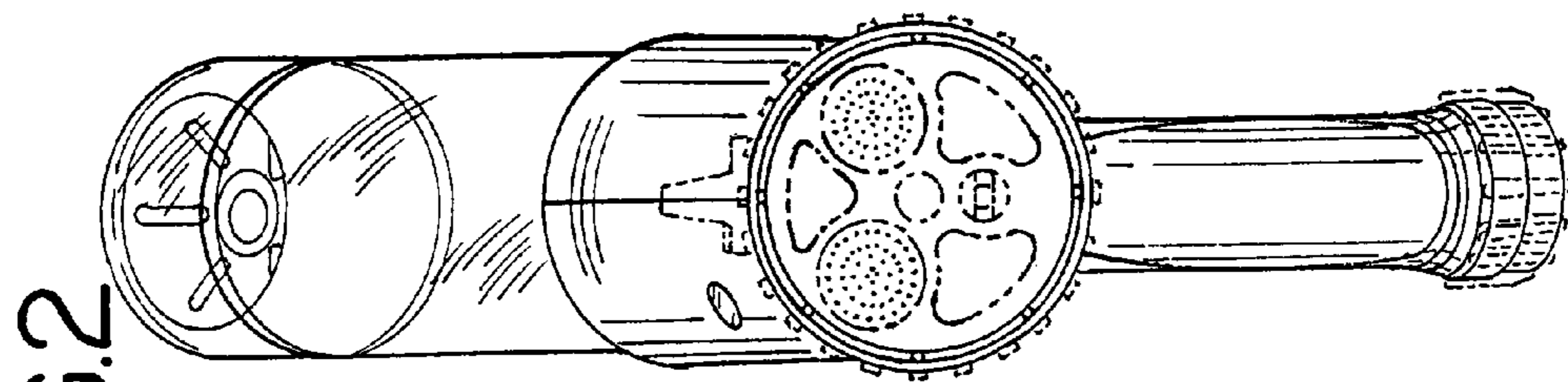


FIG.2

FIG. 6

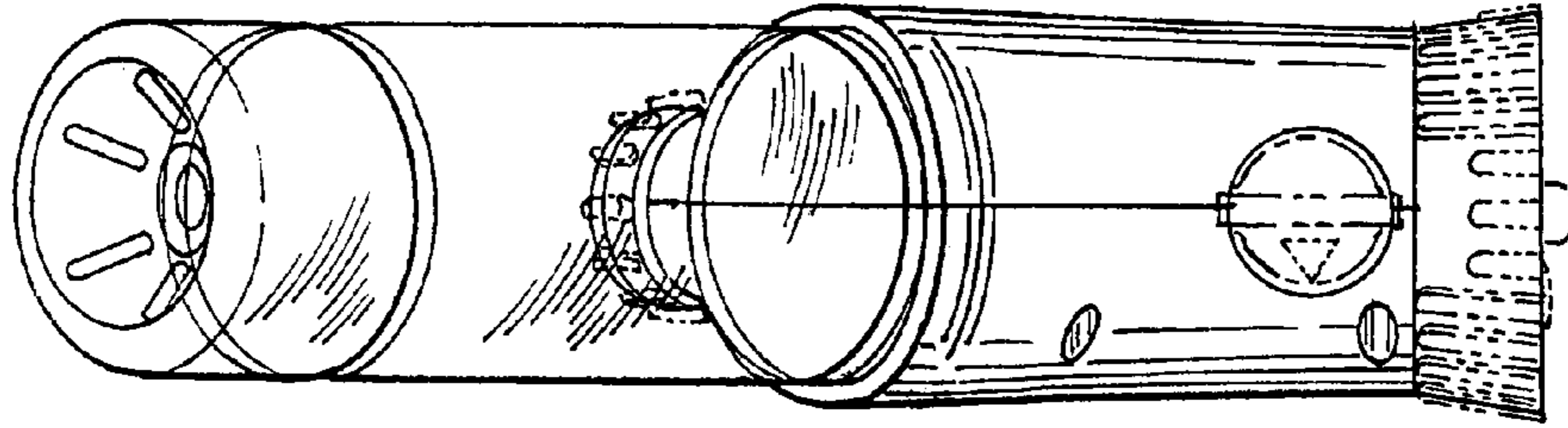


FIG. 5

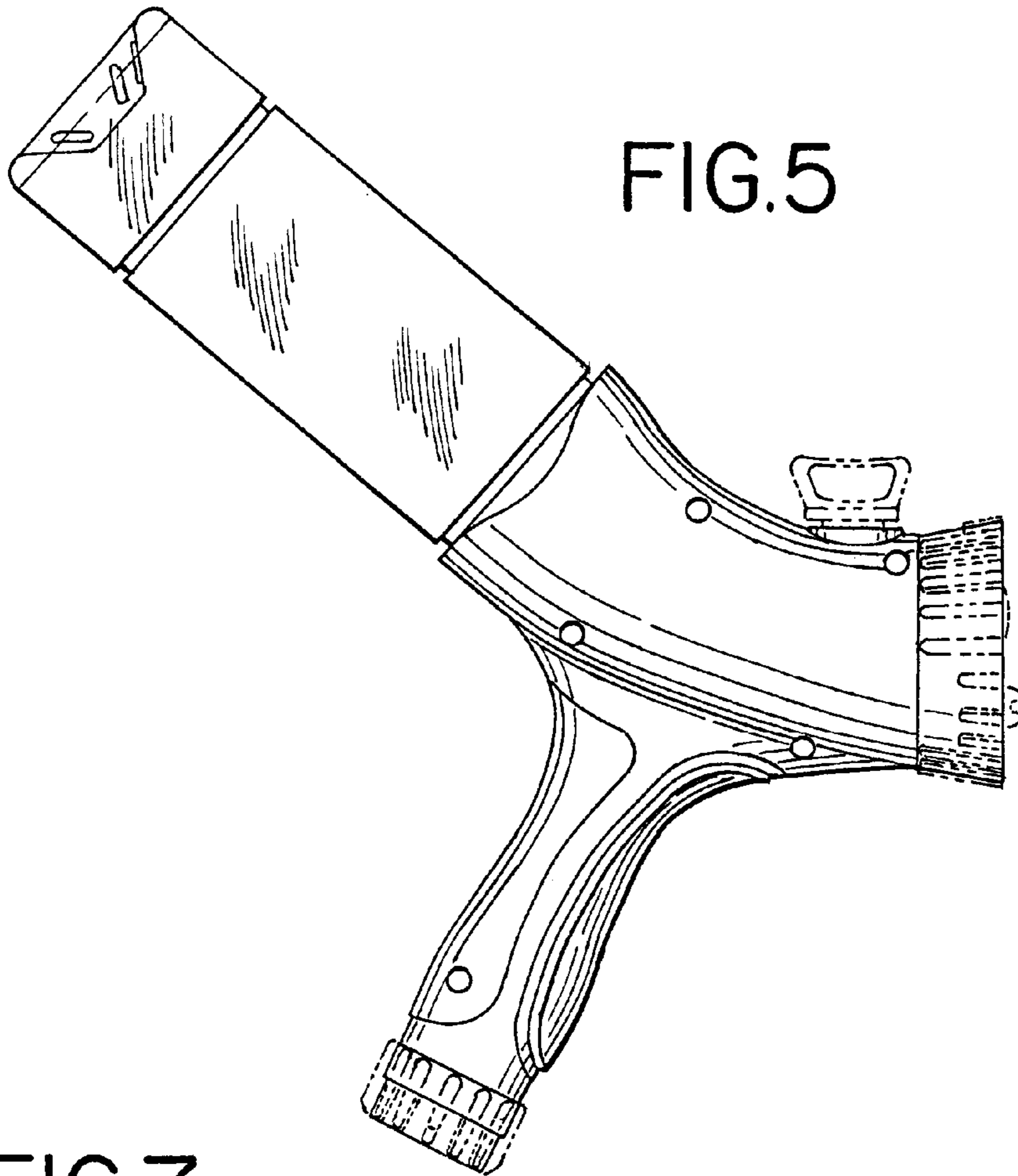


FIG. 7

