



US00D529571S

(12) **United States Design Patent**
Hoyes

(10) **Patent No.:** **US D529,571 S**

(45) **Date of Patent:** **** Oct. 3, 2006**

(54) **ANIMAL TRAP**

(75) Inventor: **Paul Hoyes**, Grantham (GB)

(73) Assignee: **Killgerm Group Limited**, Ossett (GB)

(**) Term: **14 Years**

(21) Appl. No.: **29/234,652**

(22) Filed: **Jul. 21, 2005**

(51) **LOC (8) Cl.** **22-06**

(52) **U.S. Cl.** **D22/119**

(58) **Field of Classification Search** D22/119-125;
43/121, 132.1, 131, 58-69, 81-83
See application file for complete search history.

(56) **References Cited**

U.S. PATENT DOCUMENTS

- 5,272,832 A * 12/1993 Marshall et al. 43/131
- D385,611 S * 10/1997 Prince et al. D22/119
- D459,428 S * 6/2002 Johnson et al. D22/119

D470,562 S * 2/2003 Lafforthun D22/119
2004/0244274 A1 * 12/2004 Dellevigne et al. 43/131

* cited by examiner

Primary Examiner—Catherine R. Oliver

(74) *Attorney, Agent, or Firm*—Marsh Fischmann & Breyfogle LLP

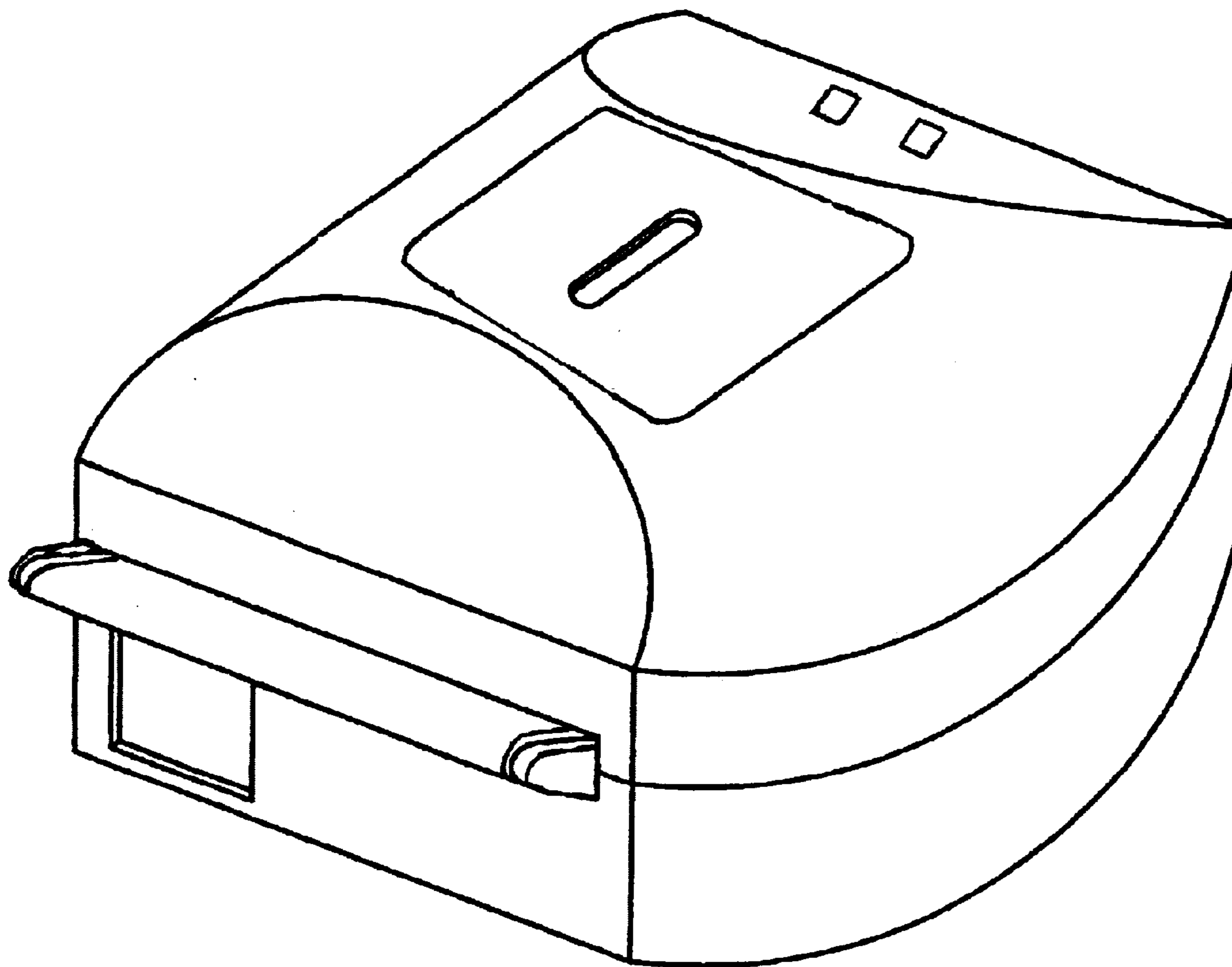
(57) **CLAIM**

The ornamental design for an animal trap, as shown and described.

DESCRIPTION

FIG. 1 is a perspective view of the animal trap;
FIG. 2 is a top plan view of the animal trap;
FIG. 3 is a front view of the animal trap;
FIG. 4 is a left view of the animal trap;
FIG. 5 is a right view of the animal trap; and,
FIG. 6 is a perspective view of the inside of the animal trap.

1 Claim, 4 Drawing Sheets



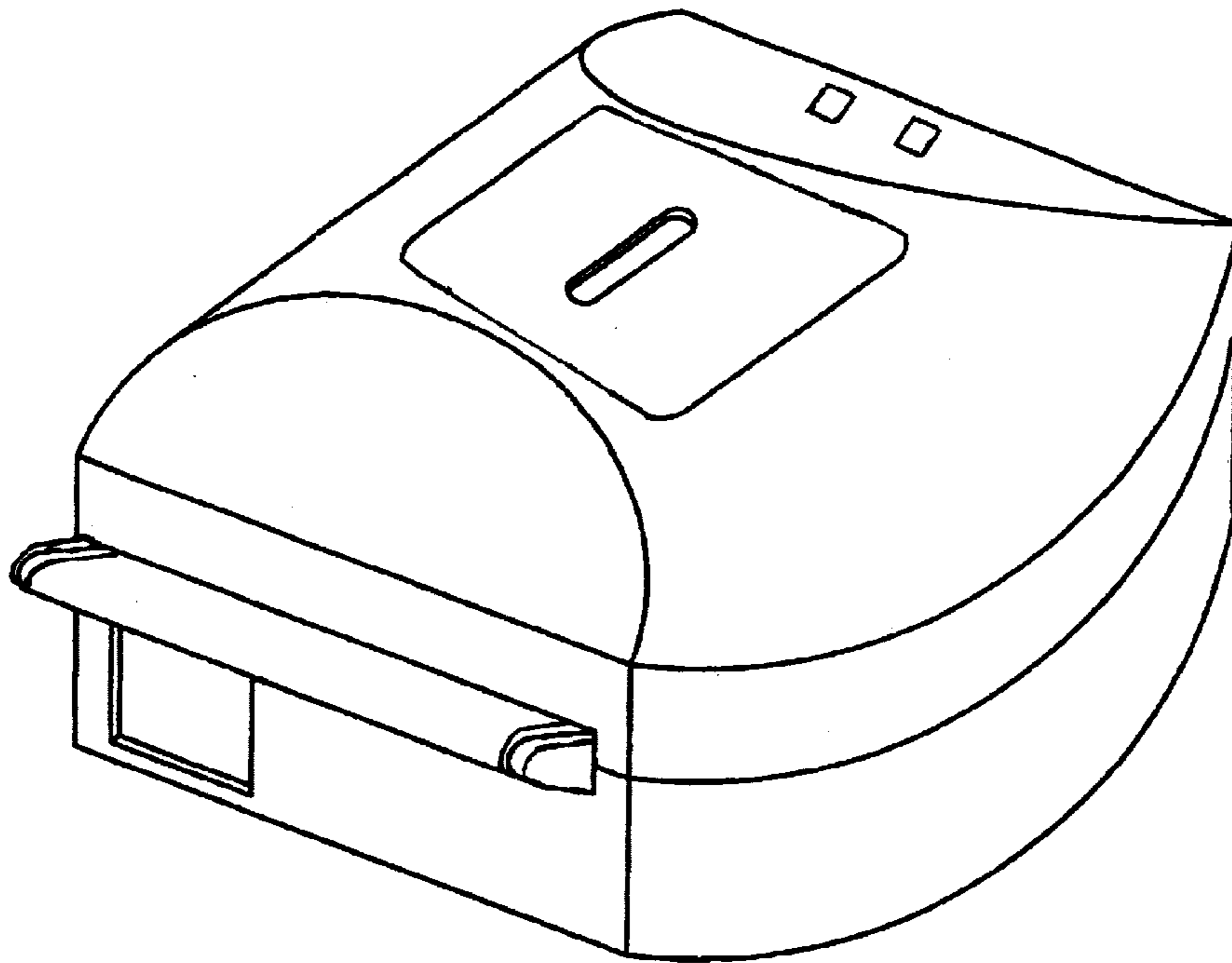


FIG. 1

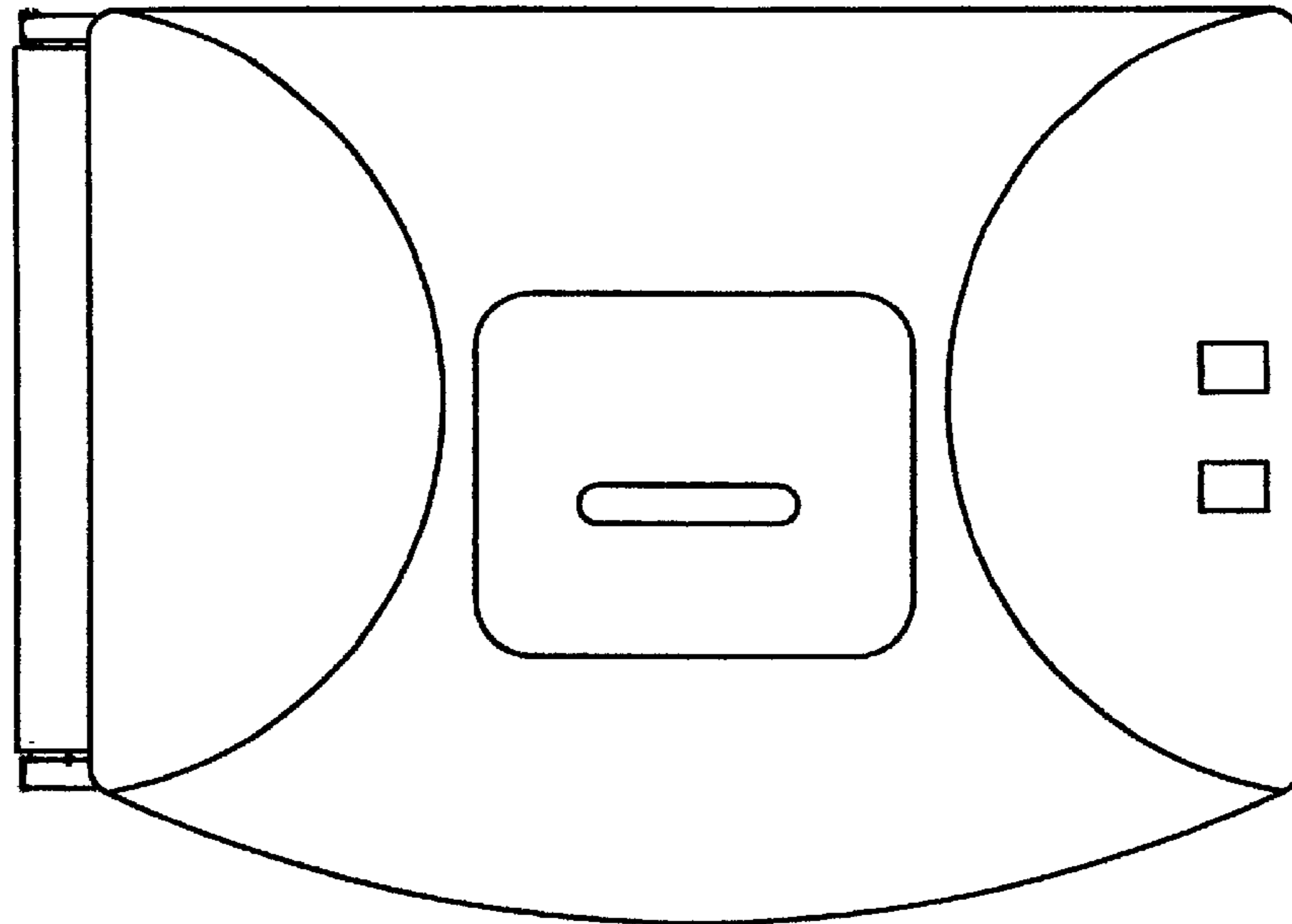


FIG. 2

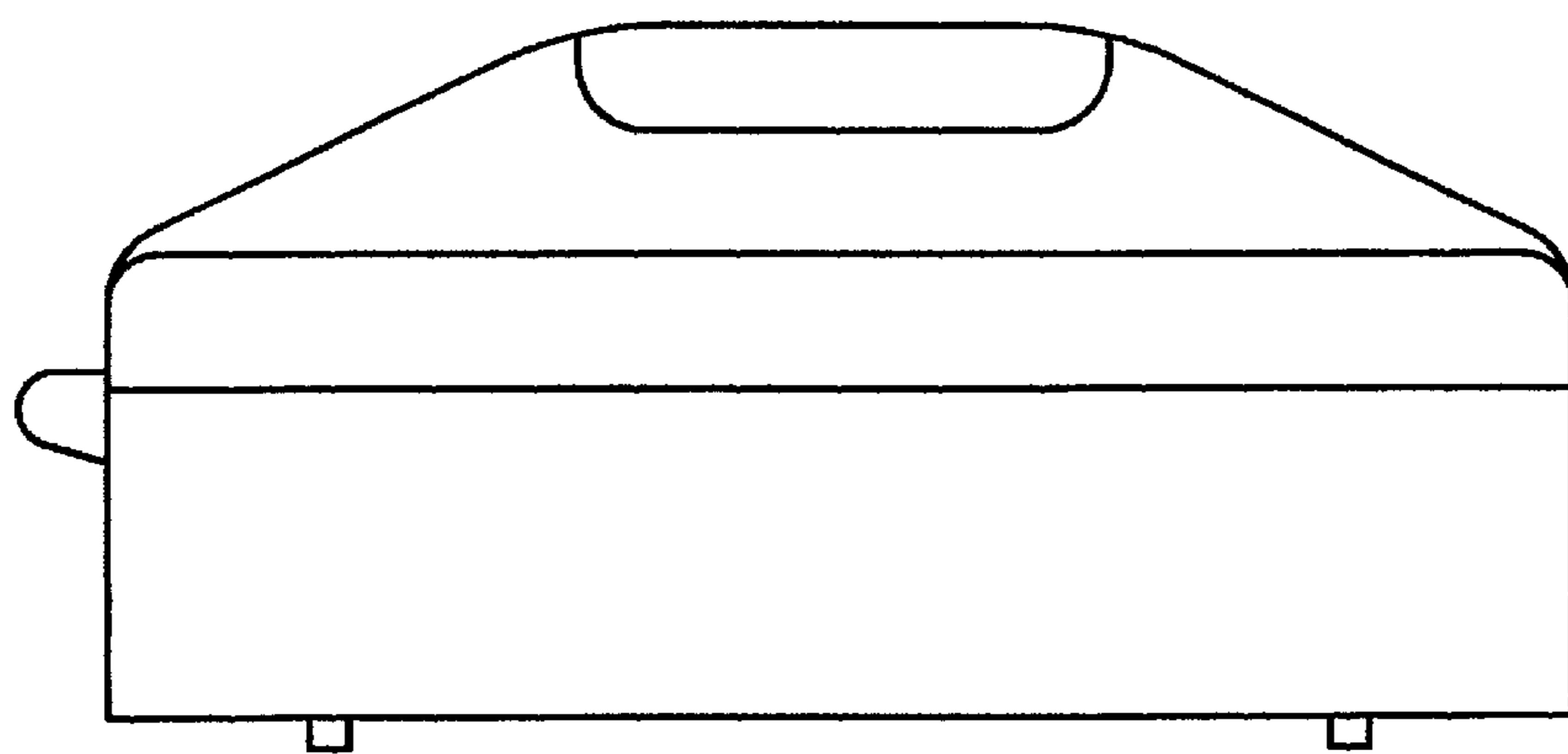


FIG. 3

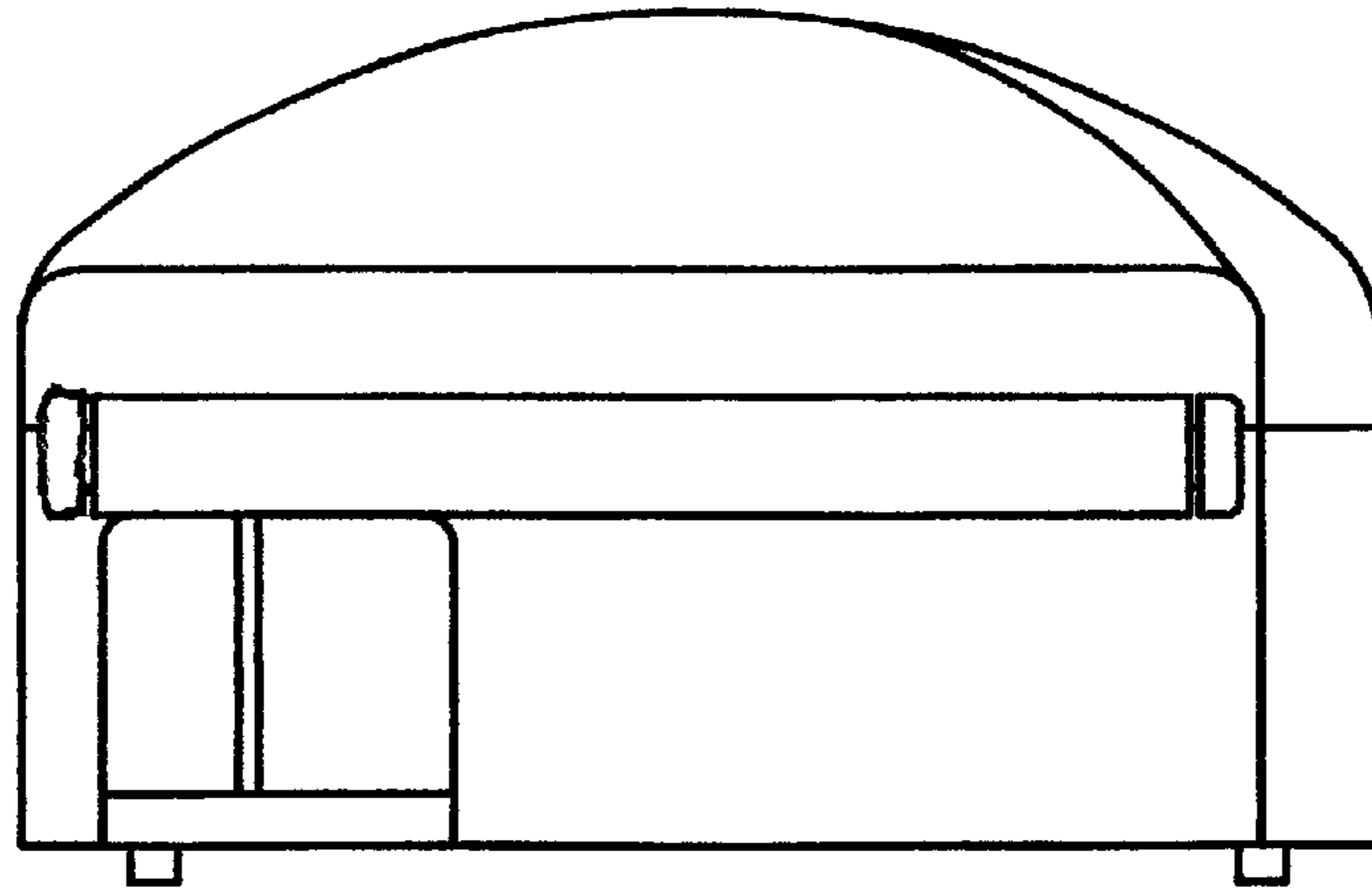


FIG. 4

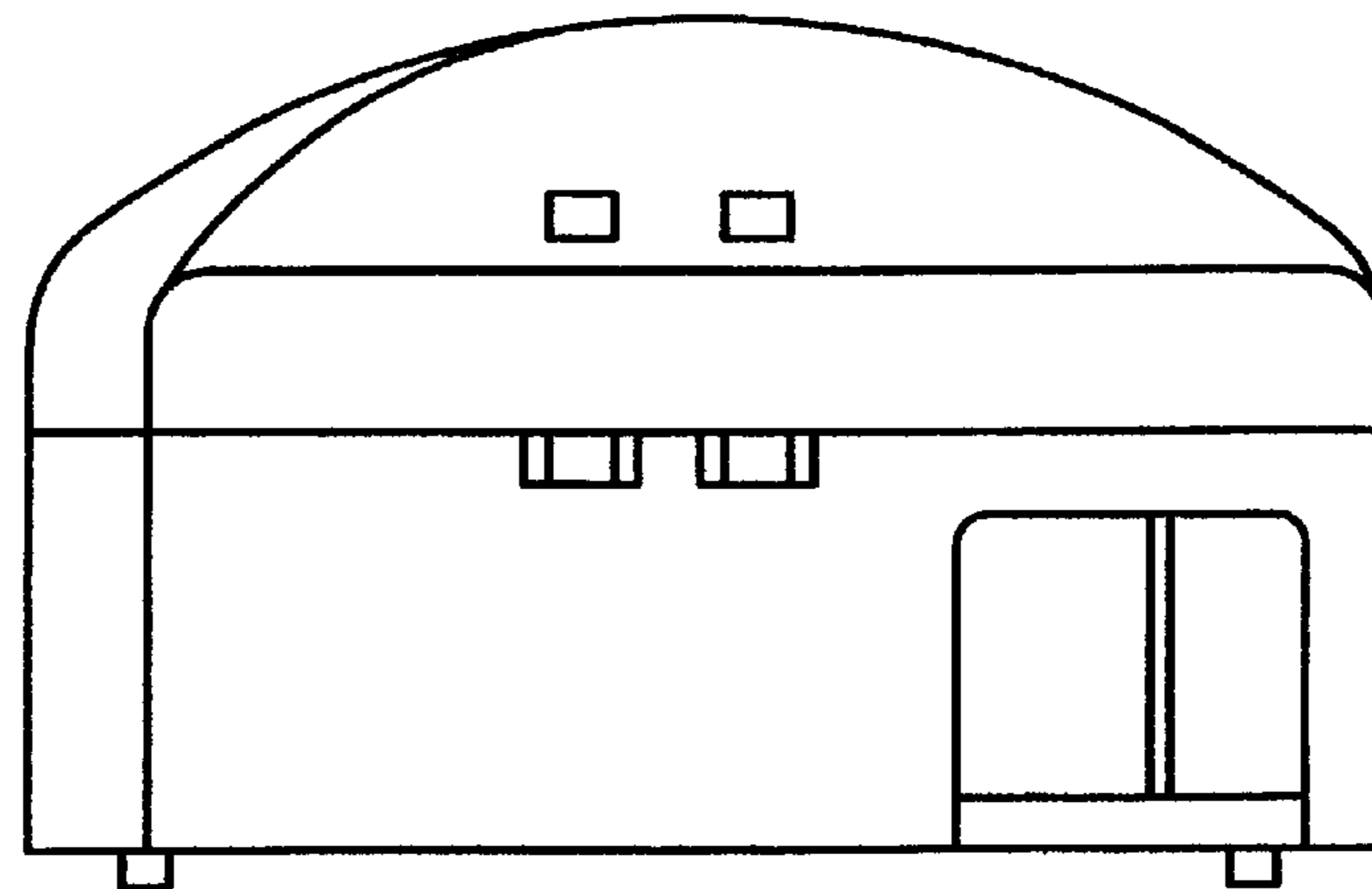


FIG. 5

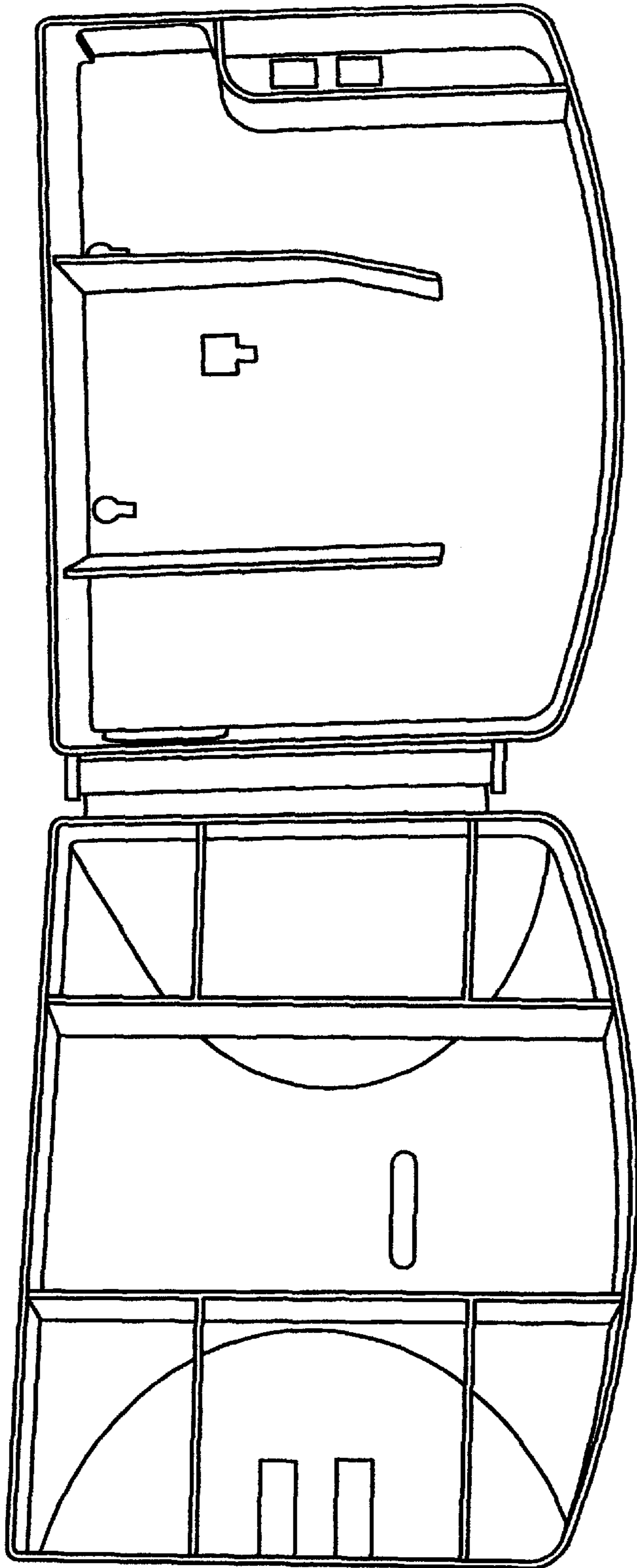


FIG. 6