



US00D529567S

(12) **United States Design Patent**
Bishop

(10) **Patent No.:** **US D529,567 S**

(45) **Date of Patent:** **** Oct. 3, 2006**

(54) **SUPPORT BRACKET FOR SNOW BOARD POLE**

(76) Inventor: **Philip E. Bishop**, 3466 Sylvan La., Placerville, CA (US) 95667

(**) Term: **14 Years**

(21) Appl. No.: **29/242,902**

(22) Filed: **Nov. 15, 2005**

(51) **LOC (8) Cl.** **21-02**

(52) **U.S. Cl.** **D21/771**

(58) **Field of Classification Search** D21/760-761, D21/765-766, 768, 771, 772-777; 441/68-70; 280/601-606, 609-610, 842, 11.3, 11.31
See application file for complete search history.

(56) **References Cited**

U.S. PATENT DOCUMENTS

D189,854 S	*	3/1961	Kesner	D21/772
3,675,835 A	*	7/1972	Wilson	280/814
3,774,826 A	*	11/1973	Raihill et al.	294/147
4,361,347 A	*	11/1982	MacIntyre	280/814
4,494,787 A	*	1/1985	Gainey	294/147
D323,974 S	*	2/1992	Sachs	D8/396
D508,455 S	*	8/2005	Oakley et al.	D12/317

* cited by examiner

Primary Examiner—Caron D. Veynar

Assistant Examiner—Zenia I. Bennett

(74) *Attorney, Agent, or Firm*—R. Michael West

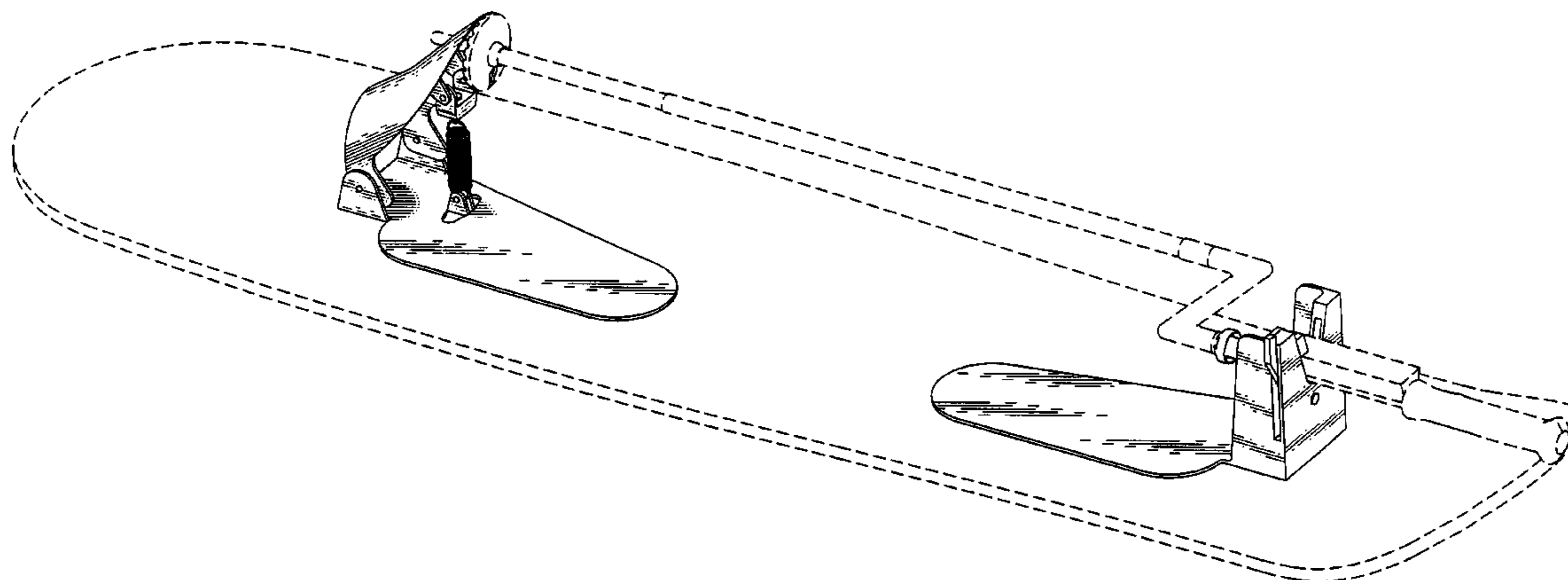
(57) **CLAIM**

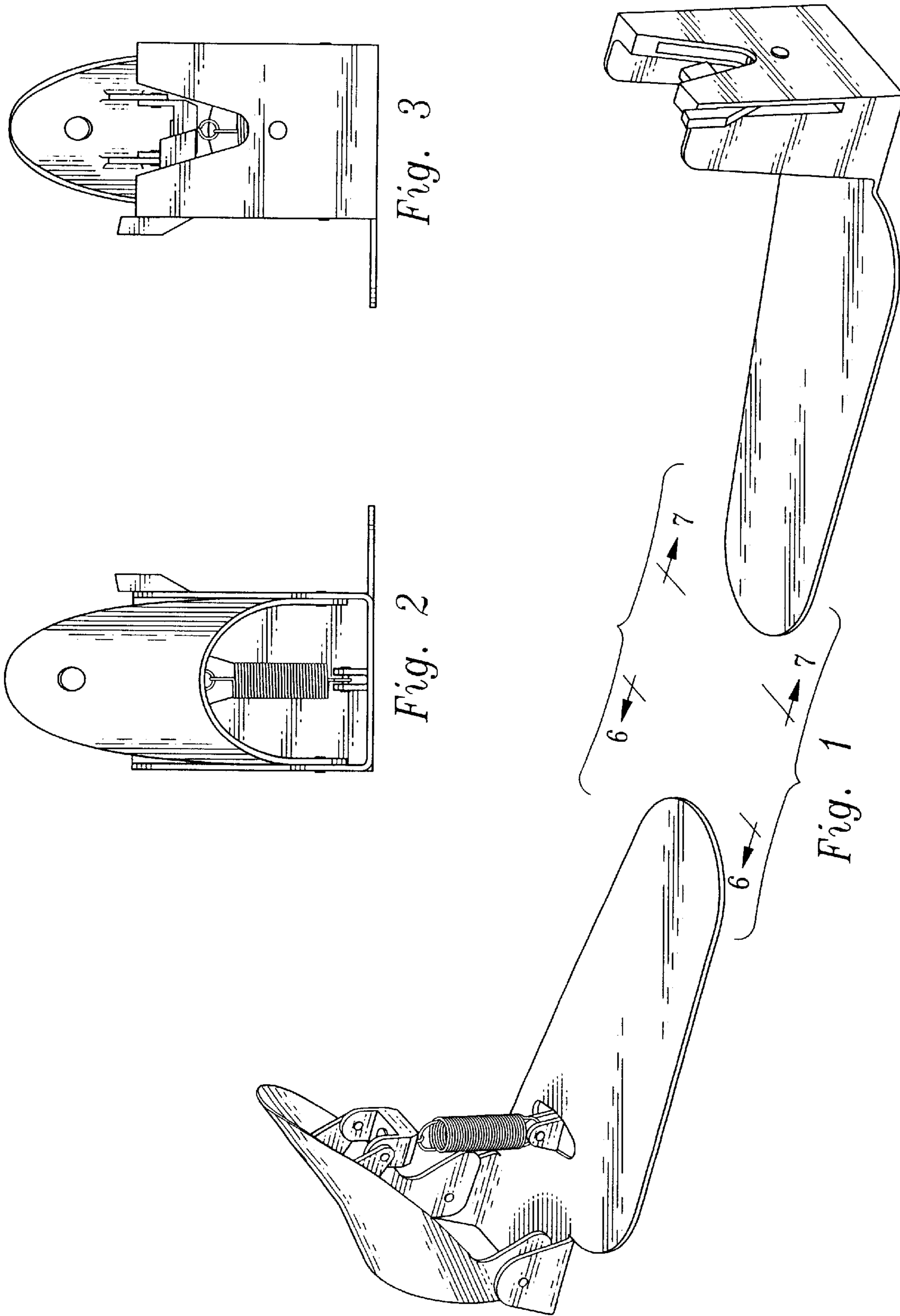
The ornamental design for a support bracket for snow board pole, as shown and described.

DESCRIPTION

FIG. 1 is a perspective view of a support bracket for snow board pole, showing my new design;
FIG. 2 is a front elevational view, thereof;
FIG. 3 is a rear elevational view, thereof;
FIG. 4 is a left side elevational view, thereof;
FIG. 5 is a top plan view, thereof;
FIG. 6 is a rear elevational view of the front member, thereof;
FIG. 7 is a front elevational view of the rear member, thereof;
FIG. 8 is a right side elevational view, thereof;
FIG. 9 is a bottom plan view, thereof;
FIG. 10 is a perspective view of the article in a closed position, the broken line representation of the snow board shown in the view is included solely for illustrative purposes, forming no part of the claimed design thereof; and,
FIG. 11 is a perspective view of the article in an open position, the broken line representation of the snow board pole, and the snow board shown in the view is included solely for illustrative purposes, forming no part of the claimed design thereof.

1 Claim, 5 Drawing Sheets





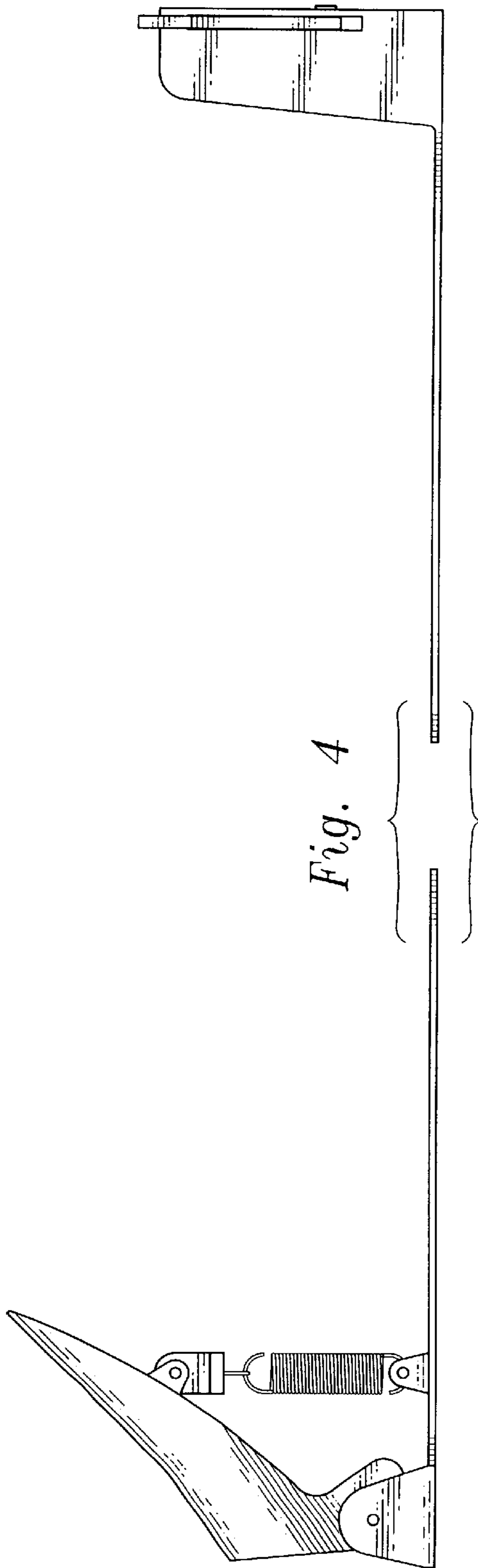


Fig. 4

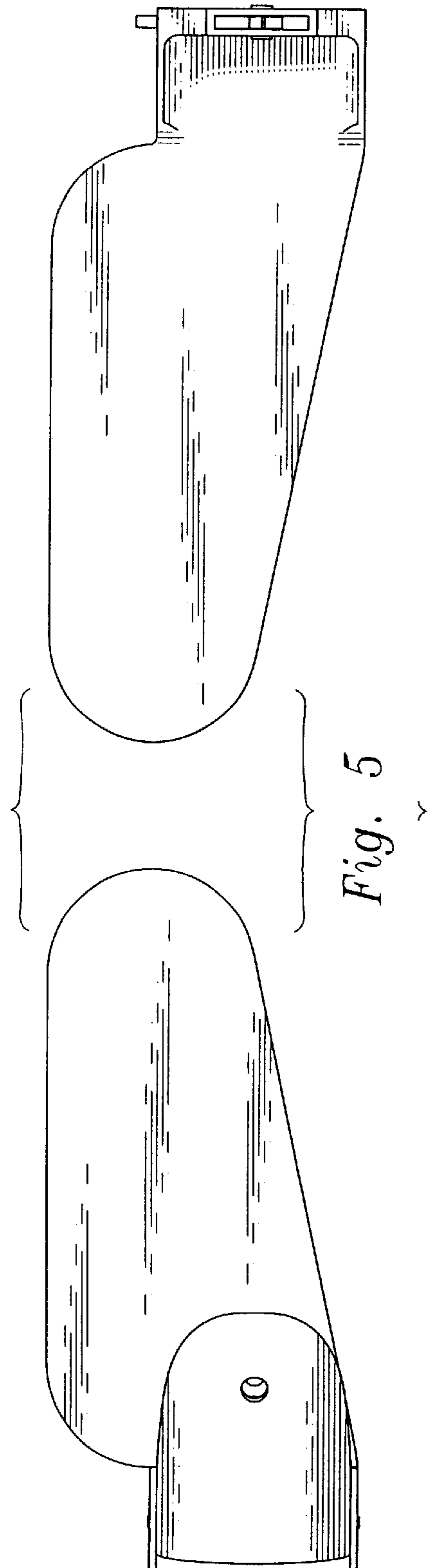


Fig. 5

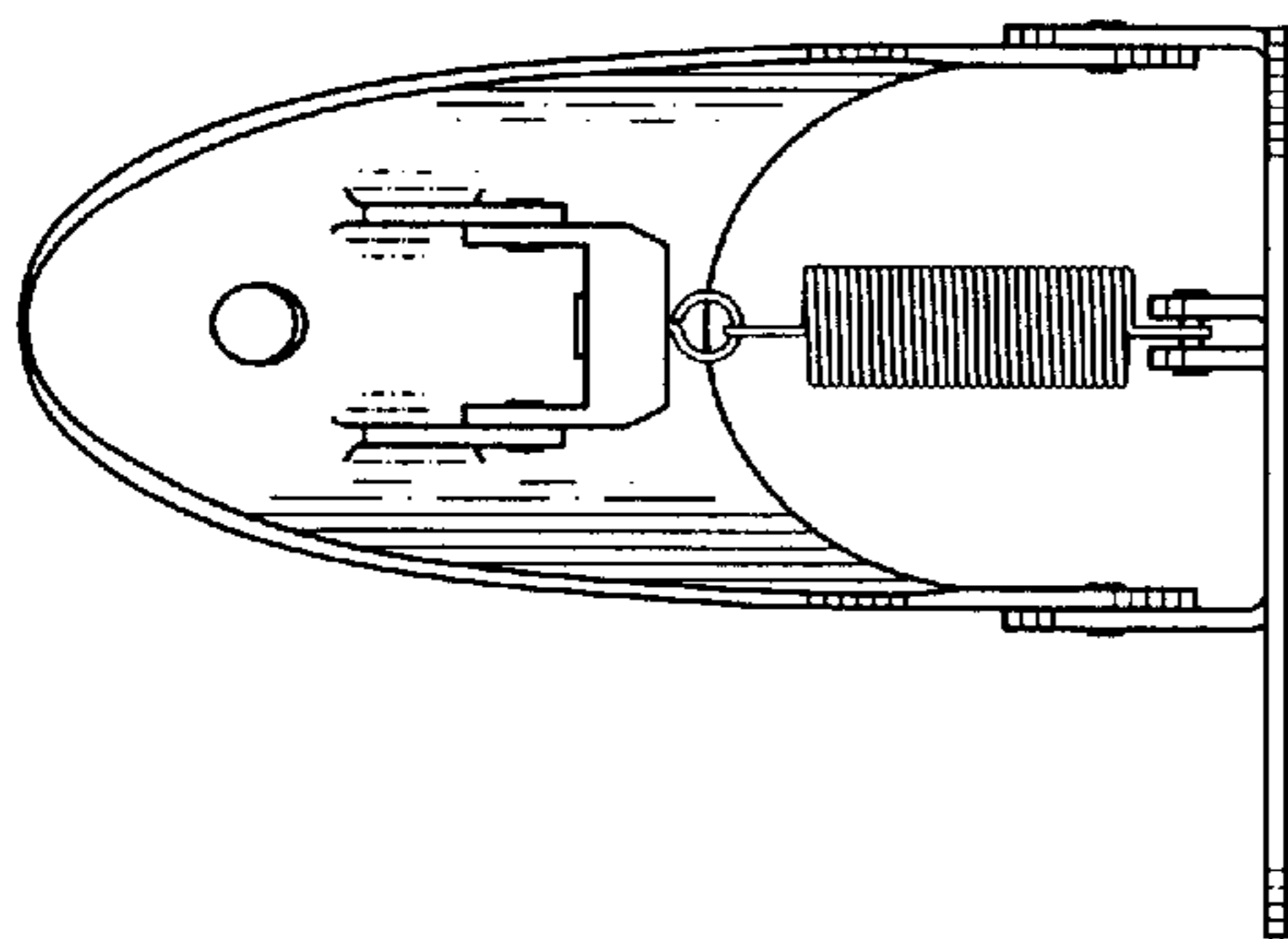


Fig. 6

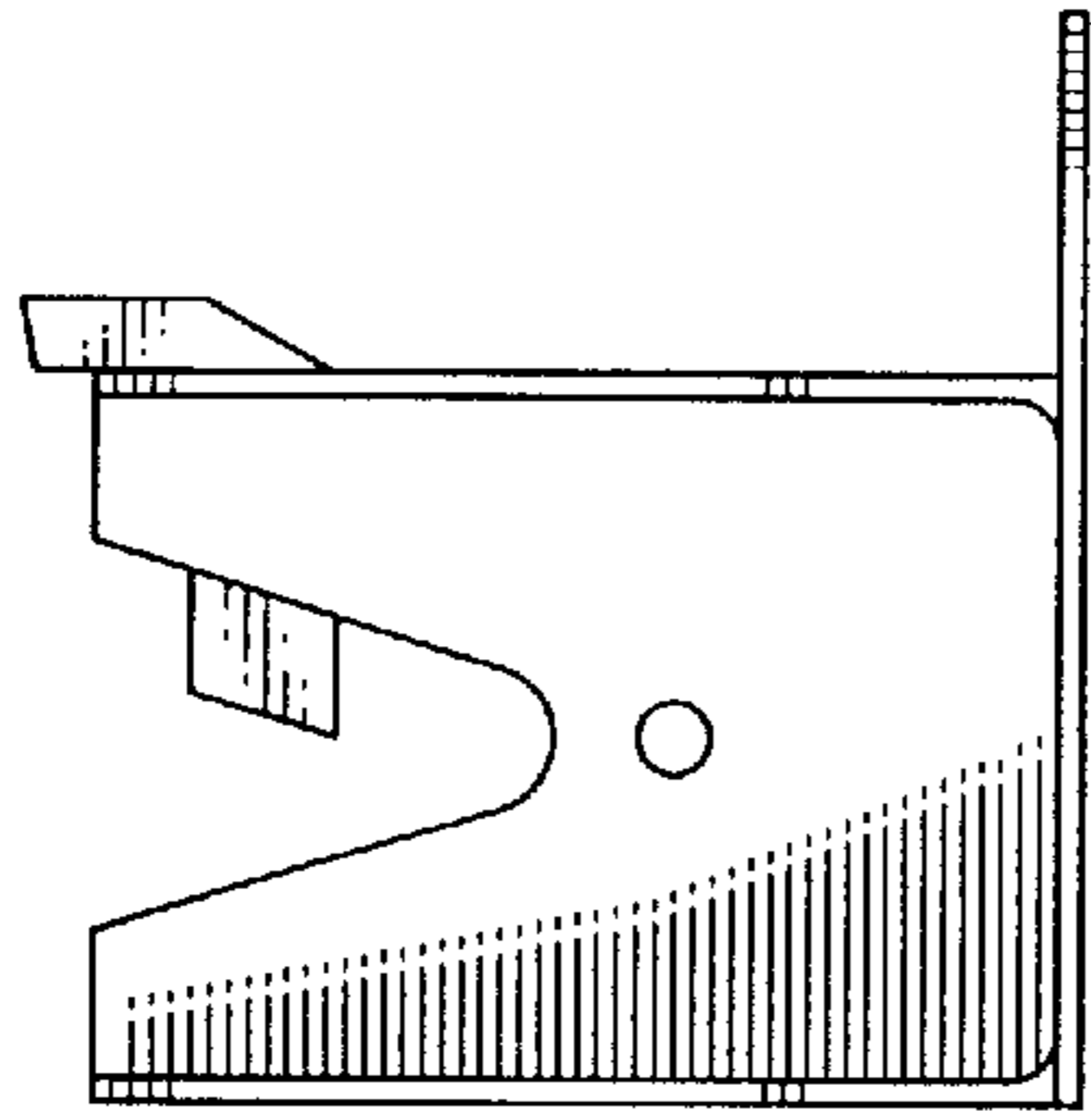


Fig. 7

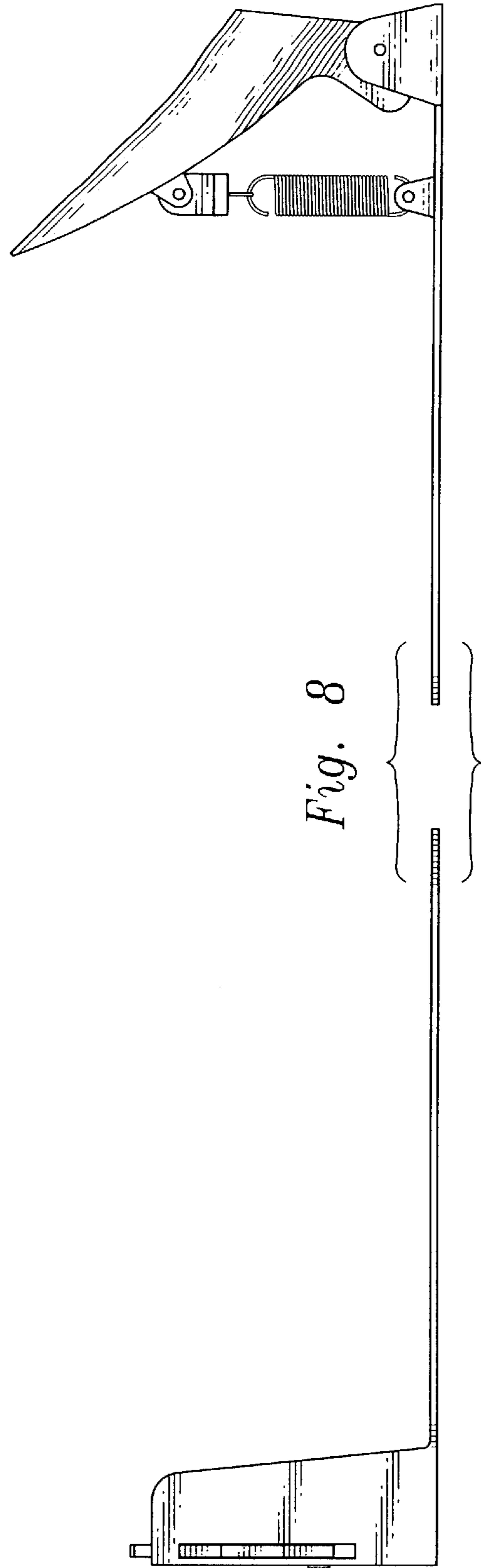
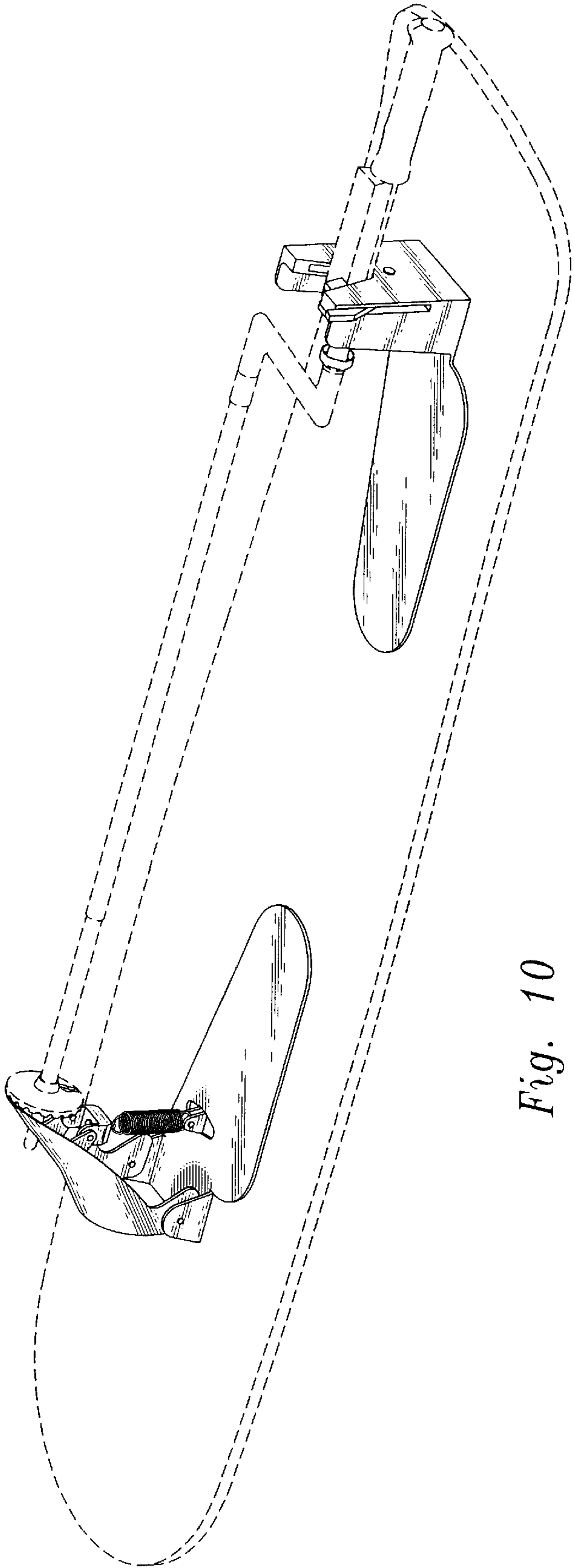
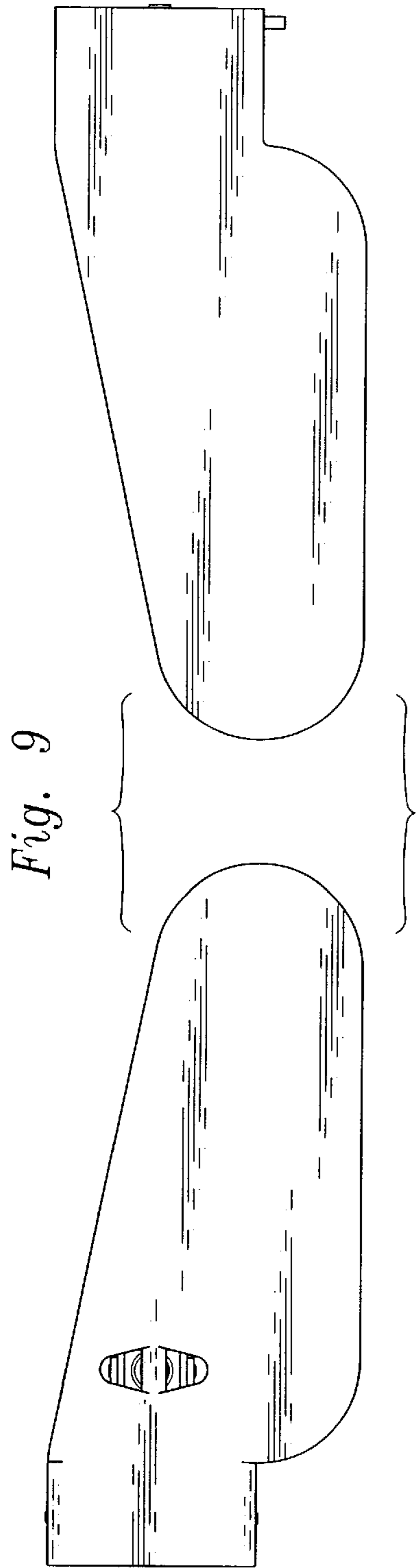


Fig. 8



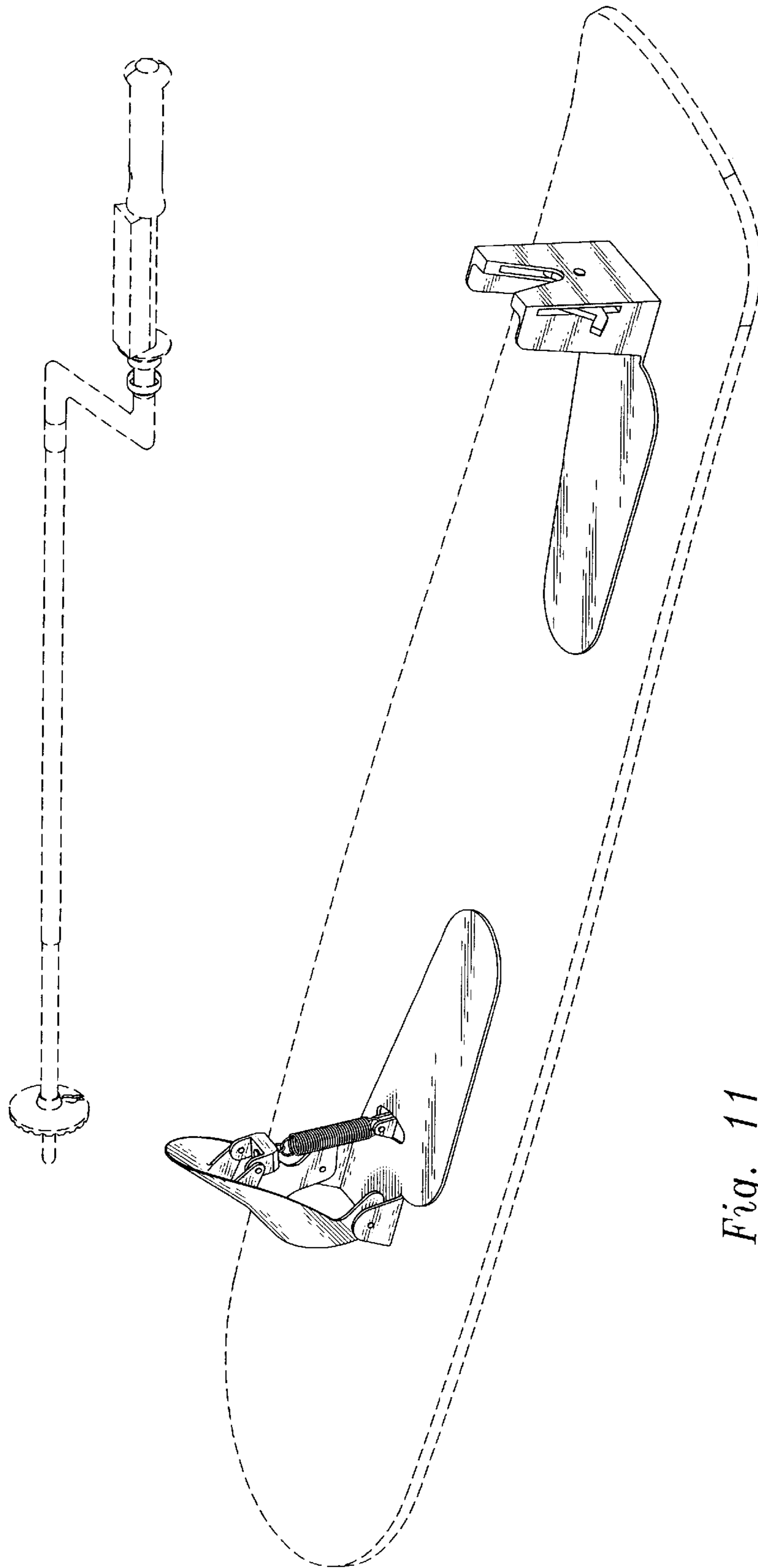


Fig. 11