



US00D529566S

(12) **United States Design Patent**
Stryjak et al.

(10) **Patent No.:** **US D529,566 S**
(45) **Date of Patent:** **** Oct. 3, 2006**

(54) **PORTION OF A ROLLER SKATE**
(75) Inventors: **Pascal Stryjak**, Saint-Eusebe (FR);
Dustin Latimer, Tempe, AZ (US);
René Borel, Saint-Sylvestre (FR);
Shane Coburn, Laguna Beach, CA
(US)

(73) Assignee: **Salomon S.A.**, Metz-Tessy (FR)

(**) Term: **14 Years**

(21) Appl. No.: **29/214,380**

(22) Filed: **Oct. 4, 2004**

(30) **Foreign Application Priority Data**

Apr. 5, 2004 (WO) DM/065 384

(51) **LOC (8) Cl.** **21-02**

(52) **U.S. Cl.** **D21/771**

(58) **Field of Classification Search** D21/760-764,
D21/771; D2/904; 280/841, 11.12, 11.14,
280/11.15, 11.19, 11.202, 11.221, 809, 811
See application file for complete search history.

(56) **References Cited**

U.S. PATENT DOCUMENTS

D186,178 S * 9/1959 Reynolds D21/764
D226,118 S * 1/1973 Deberardino D21/764
D344,119 S * 2/1994 Johnson et al. D21/764
D359,095 S * 6/1995 John D21/763

D364,909 S * 12/1995 Chen D21/764
D377,959 S * 2/1997 Chen D21/764
D410,984 S * 6/1999 Lee D21/771
D450,424 S * 11/2001 Sirvain et al. D2/904
D475,111 S * 5/2003 Bennett D21/764
6,715,773 B1 * 4/2004 Aiken 280/11.14

* cited by examiner

Primary Examiner—Holly Baynham

Assistant Examiner—Cynthia M. Chin

(74) *Attorney, Agent, or Firm*—Greenblum & Bernstein,
P.L.C.

(57) **CLAIM**

We claim the ornamental design for a portion of a roller skate, as shown and described.

DESCRIPTION

FIG. 1 is a perspective view of a portion of a roller skate, seen from the front and right side thereof, showing our new design;

FIG. 2 is a right side view thereof;

FIG. 3 is a left side view thereof;

FIG. 4 is a front end view thereof;

FIG. 5 is a rear end view thereof;

FIG. 6 is a top view thereof; and,

FIG. 7 is a bottom view thereof.

The broken line showing of other parts of the roller skate shown in the drawing is for illustrative purposes only and form no part of the claimed design.

1 Claim, 4 Drawing Sheets





FIG. 1

FIG. 2

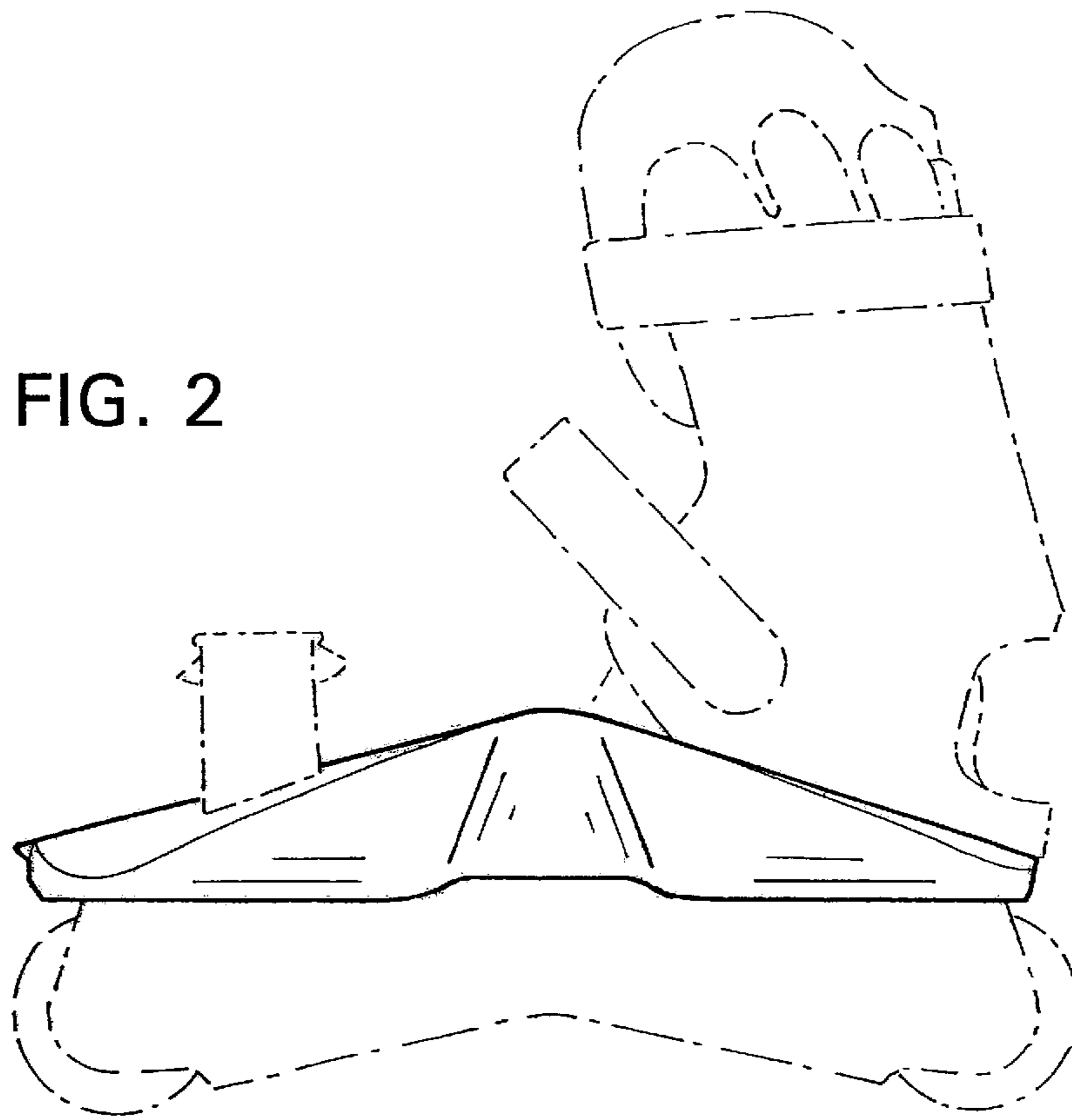
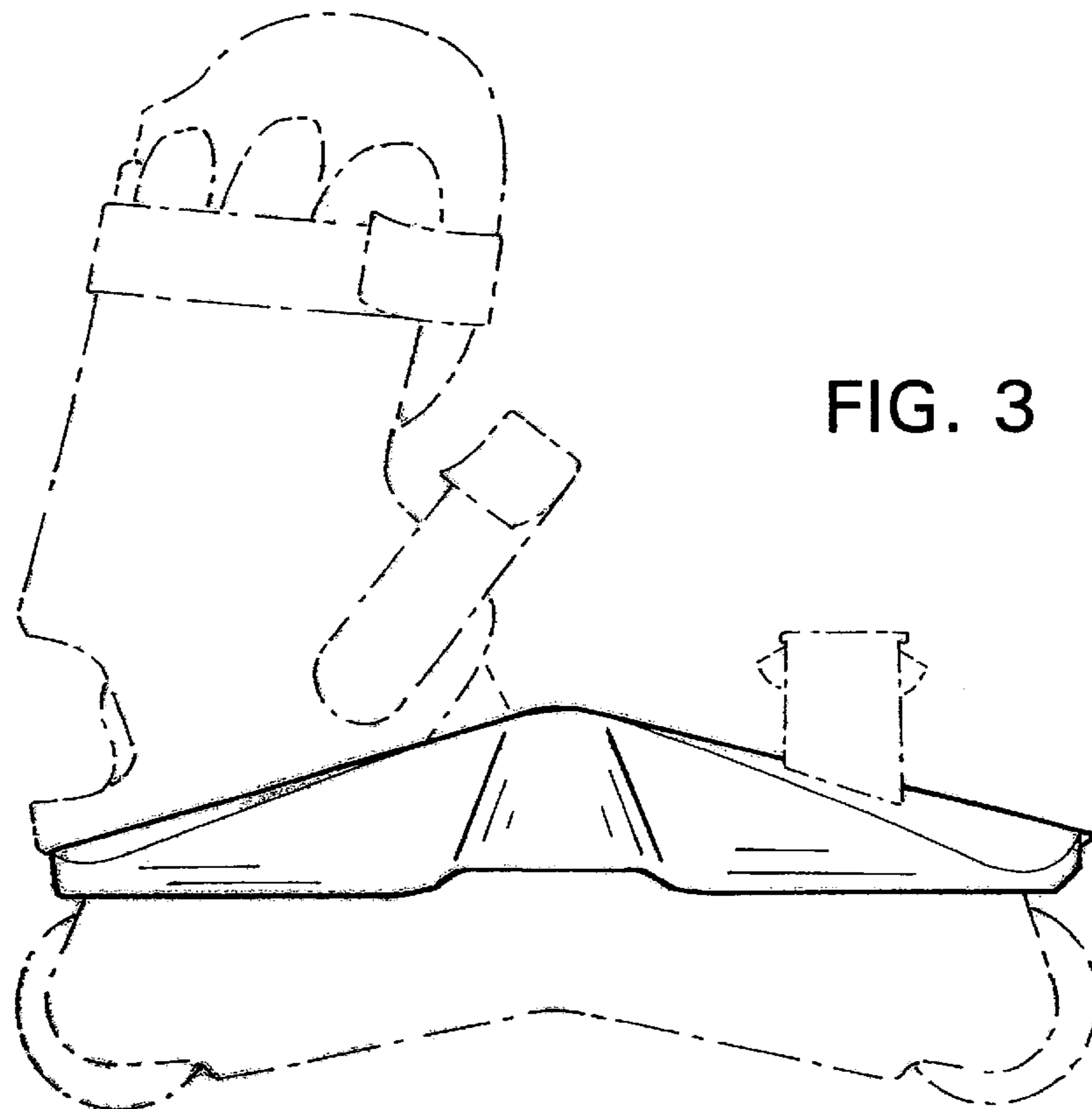


FIG. 3



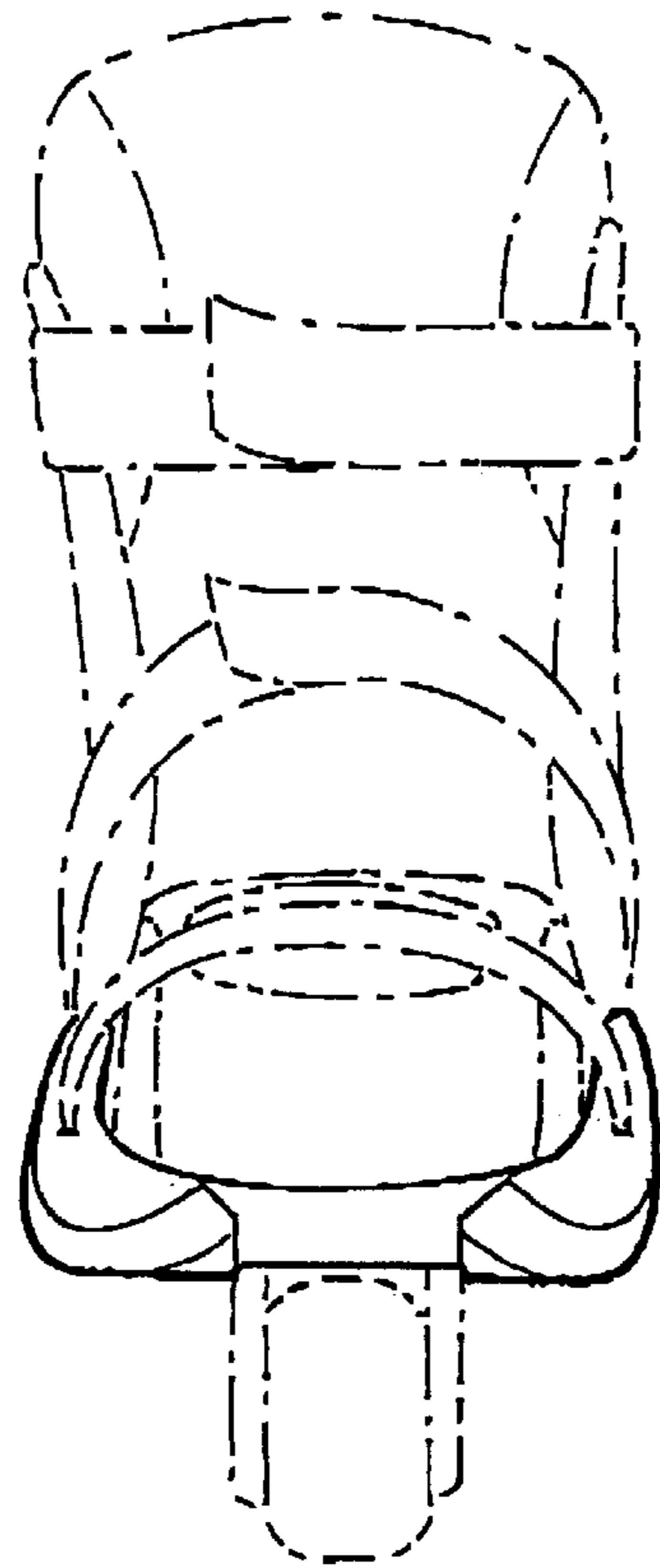


FIG. 4

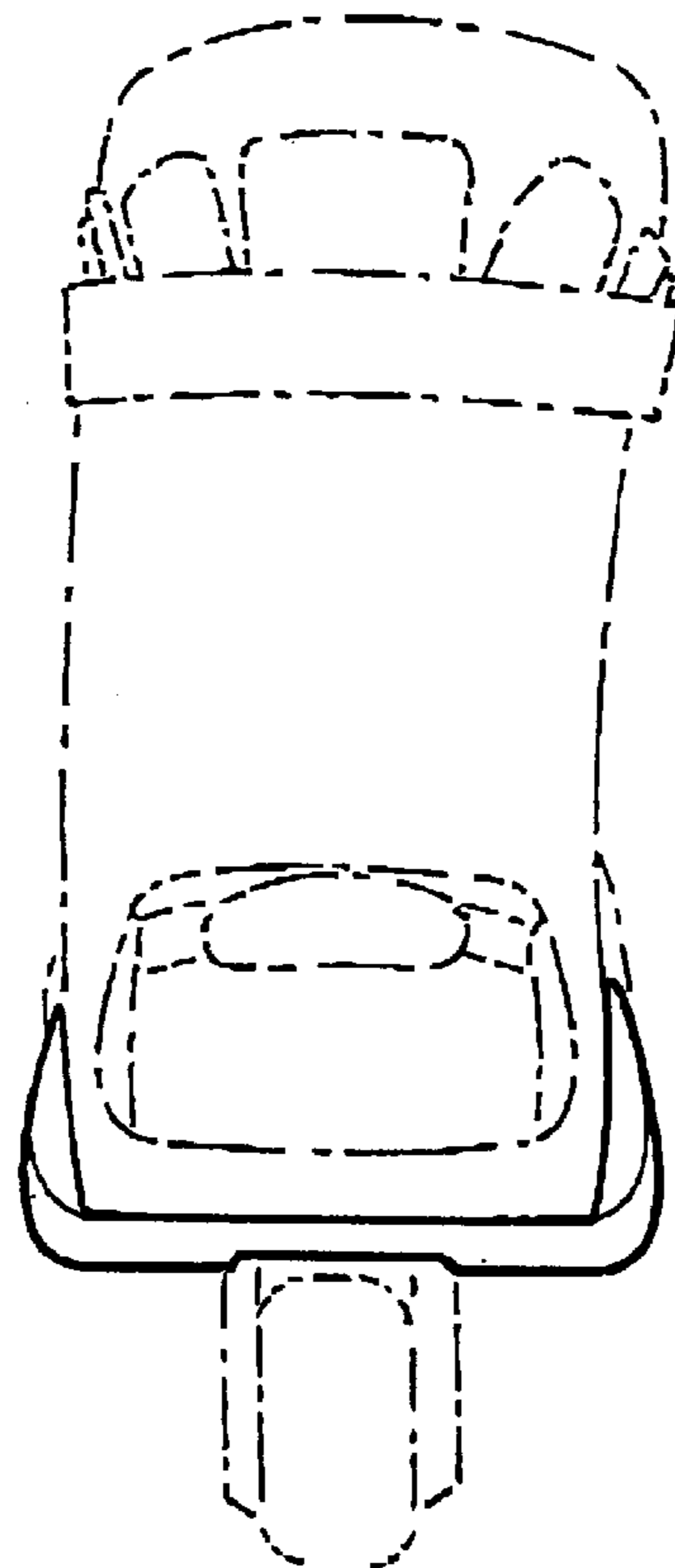


FIG. 5

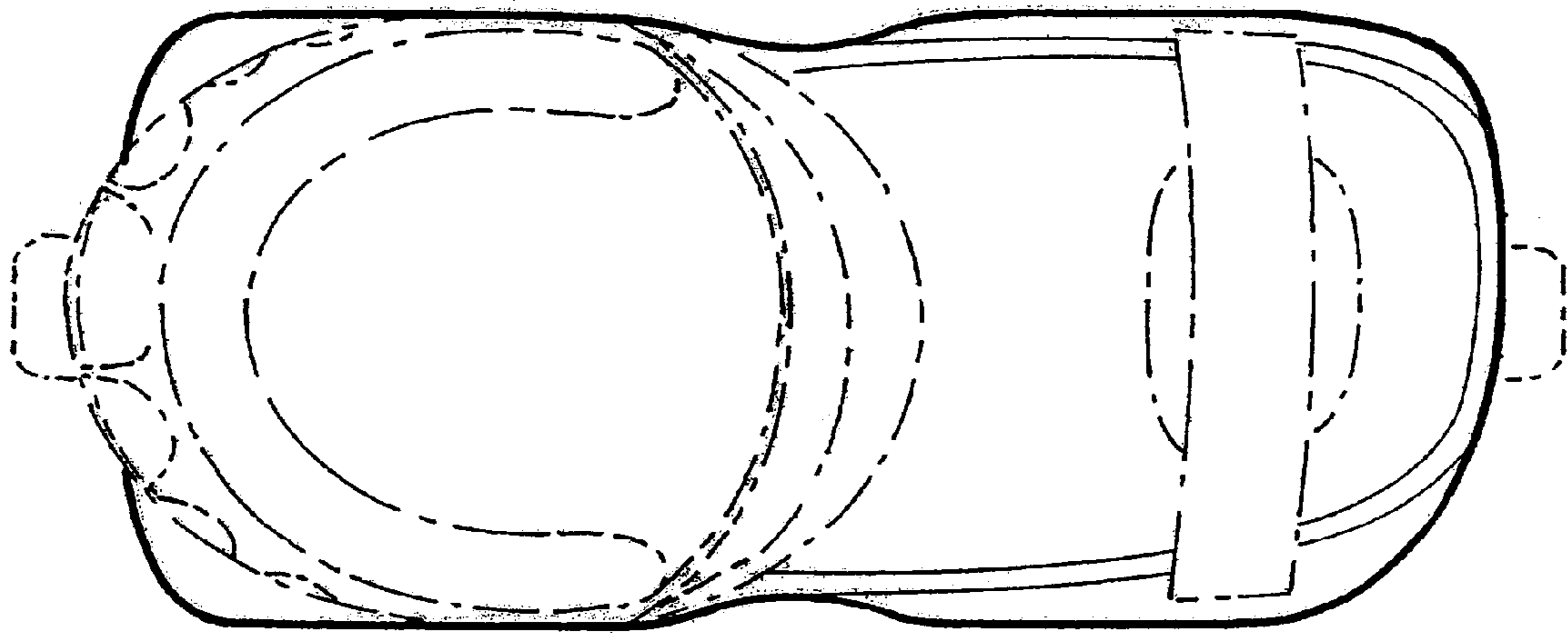


FIG. 6

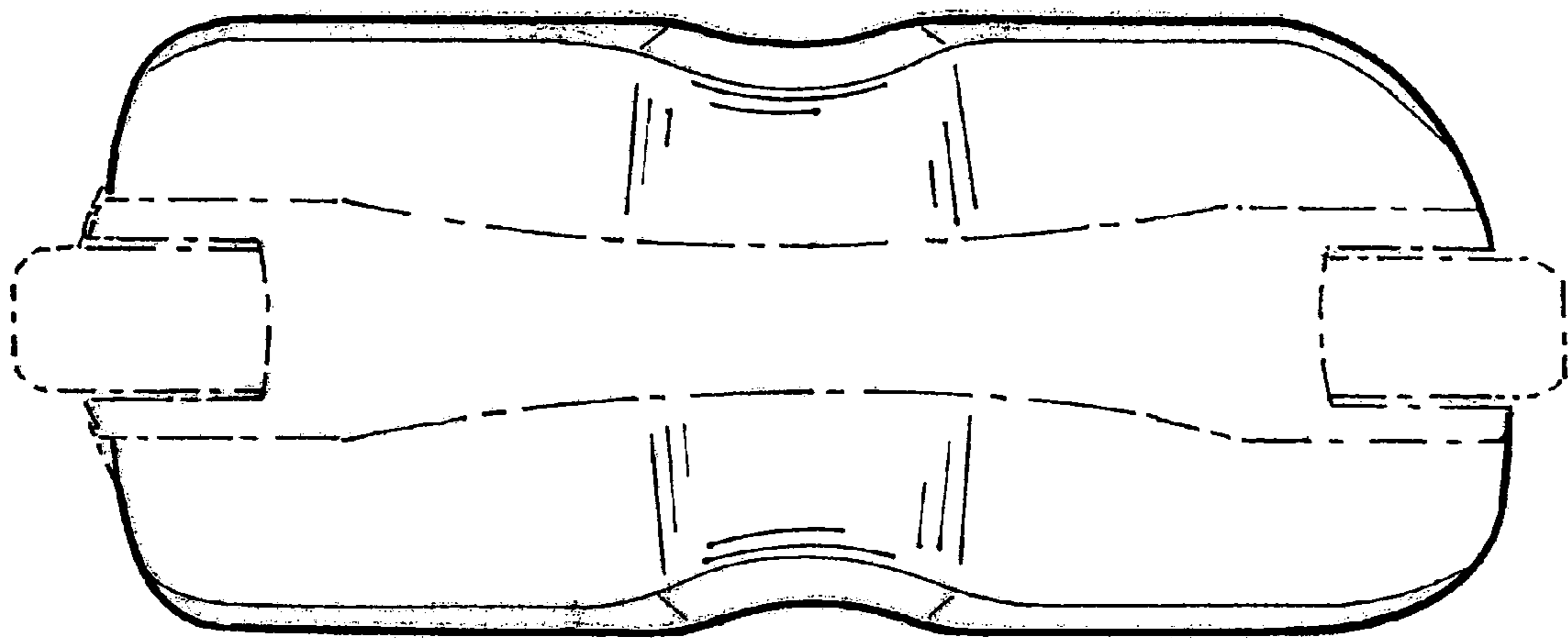


FIG. 7