



US00D529564S

(12) **United States Design Patent**
Grace

(10) **Patent No.:** **US D529,564 S**

(45) **Date of Patent:** **** Oct. 3, 2006**

(54) **PORTION OF A PUTTER**

(75) **Inventor:** **Robert M. Grace**, St. Pete Beach, FL
(US)

(73) **Assignee:** **MacGregor Golf Company**, Albany,
GA (US)

(**) **Term:** **14 Years**

(21) **Appl. No.:** **29/225,772**

(22) **Filed:** **Mar. 21, 2005**

(51) **LOC (8) Cl.** **21-02**

(52) **U.S. Cl.** **D21/759**

(58) **Field of Classification Search** D21/736-746,
D21/759; 473/324-331, 340, 341, 251-256
See application file for complete search history.

(56) **References Cited**

U.S. PATENT DOCUMENTS

- D318,087 S * 7/1991 Helmstetter D21/752
- D360,009 S * 7/1995 Grace D21/736
- D360,922 S * 8/1995 Grace D21/745

- D431,064 S * 9/2000 Grace et al. D21/759
- D502,233 S * 2/2005 Grace D21/736
- D502,234 S * 2/2005 Grace D21/736

* cited by examiner

Primary Examiner—Mitchell Siegel

(74) *Attorney, Agent, or Firm*—Buchanan Ingersoll PC

(57) **CLAIM**

The ornamental design for a portion of a putter, as shown and described.

DESCRIPTION

FIG. 1 is a top, front perspective view of a portion of a putter showing my new design.

FIG. 2 is a top, rear perspective view thereof.

FIG. 3 is a top plan view thereof.

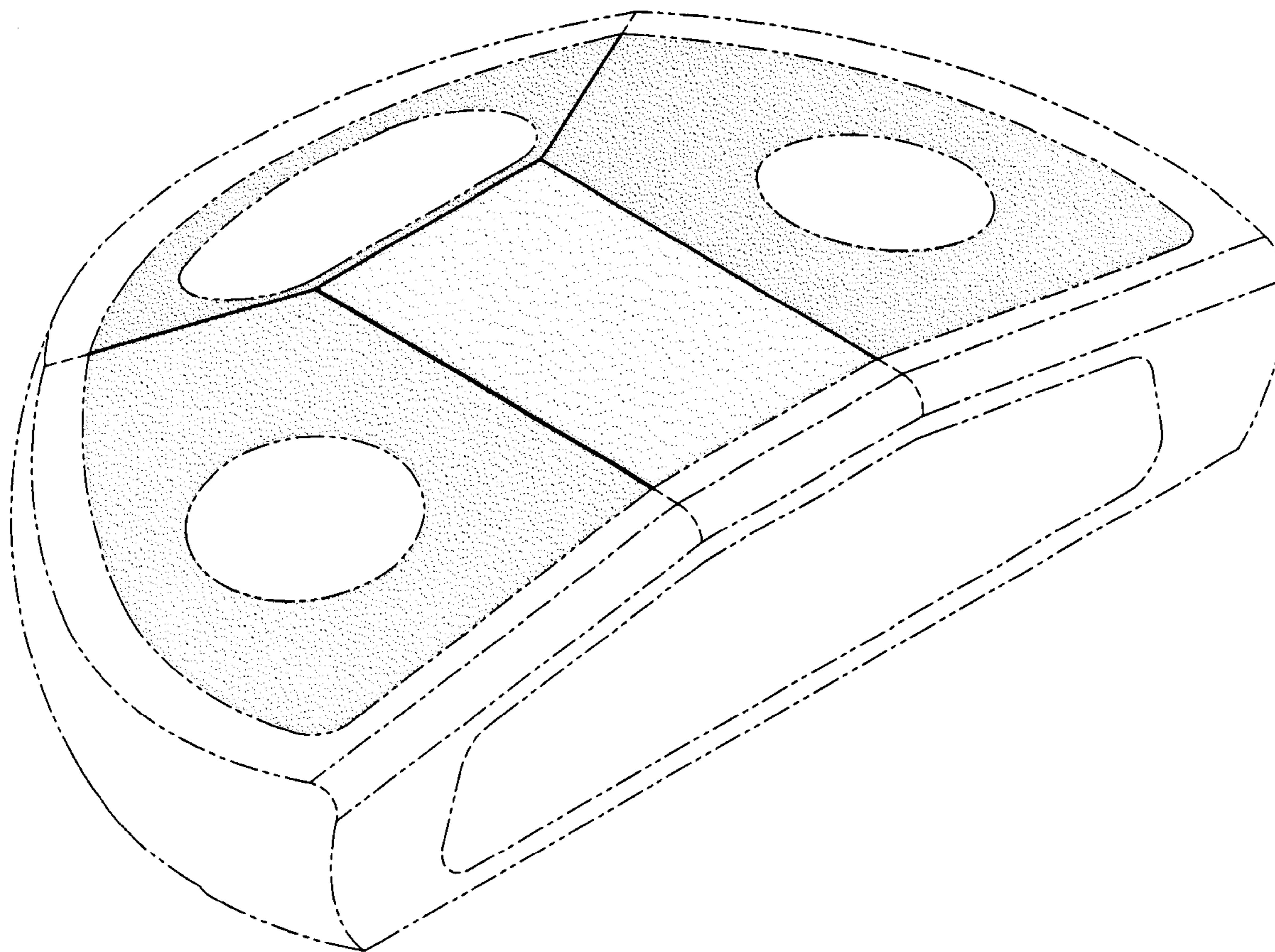
FIG. 4 is a rear elevational view thereof.

FIG. 5 is a right side view thereof; and,

FIG. 6 is a left side view thereof.

The broken line showing of various portions of the putter is for illustrative purposes only and forms no part of the claimed design.

1 Claim, 3 Drawing Sheets



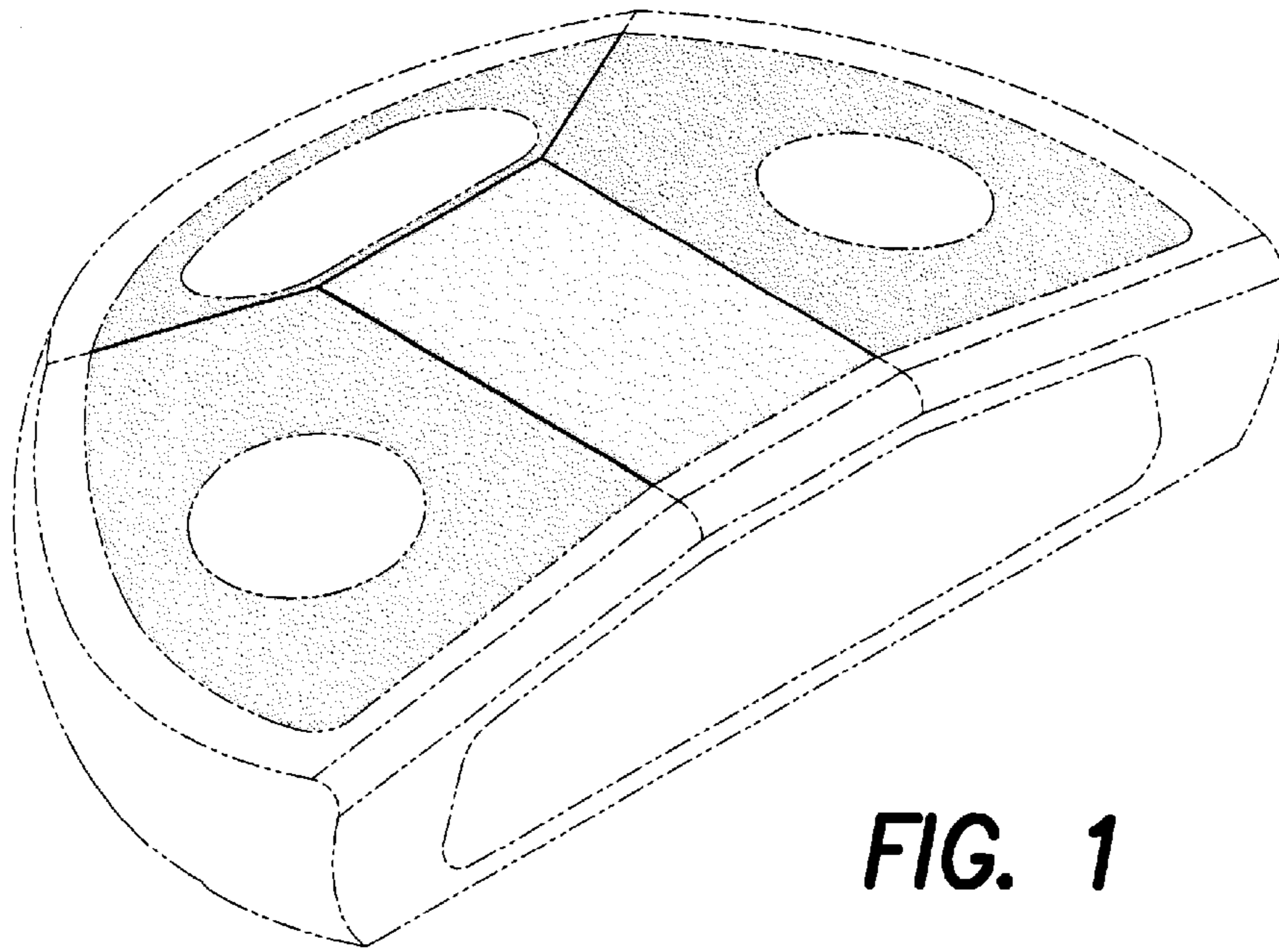


FIG. 1

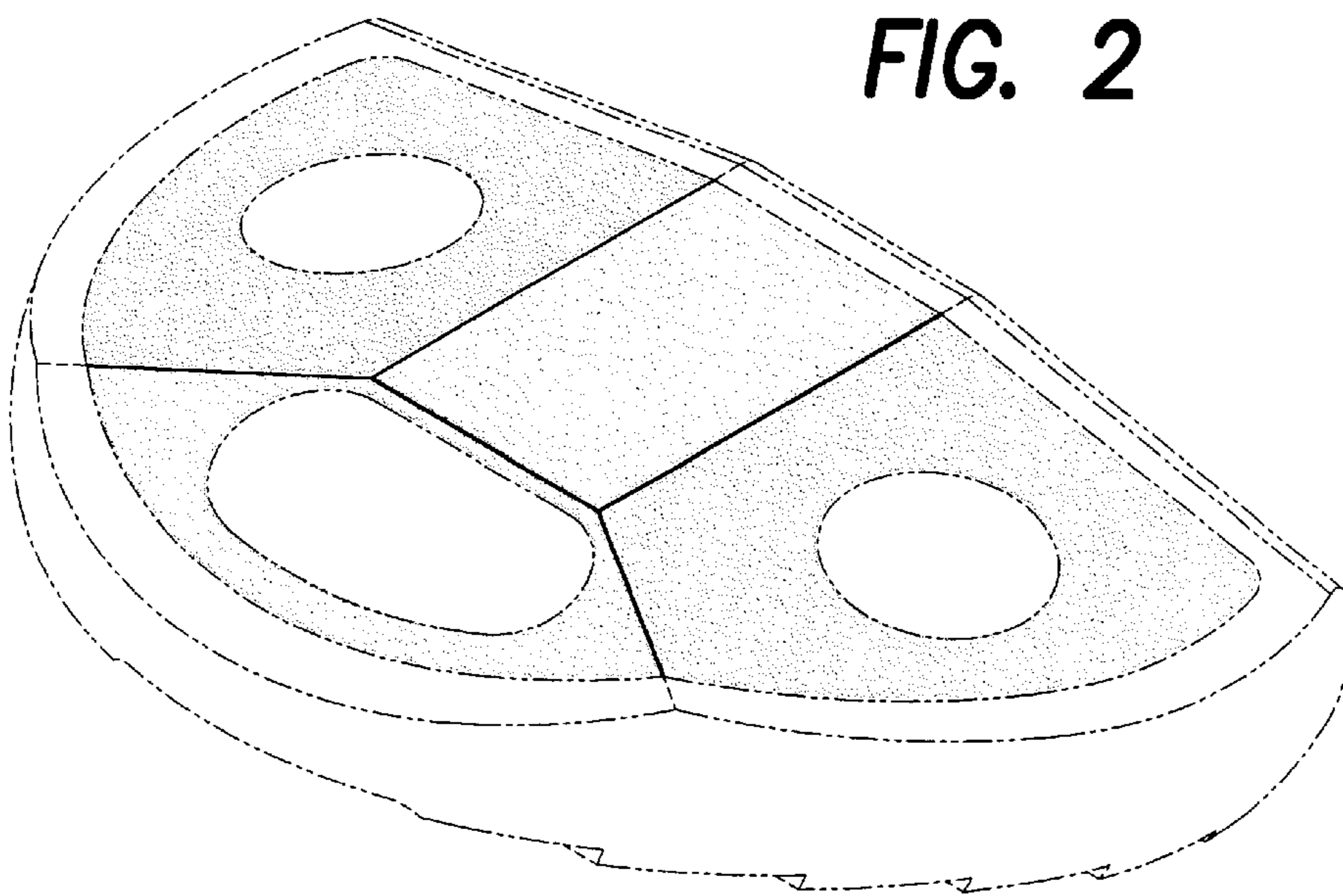


FIG. 2

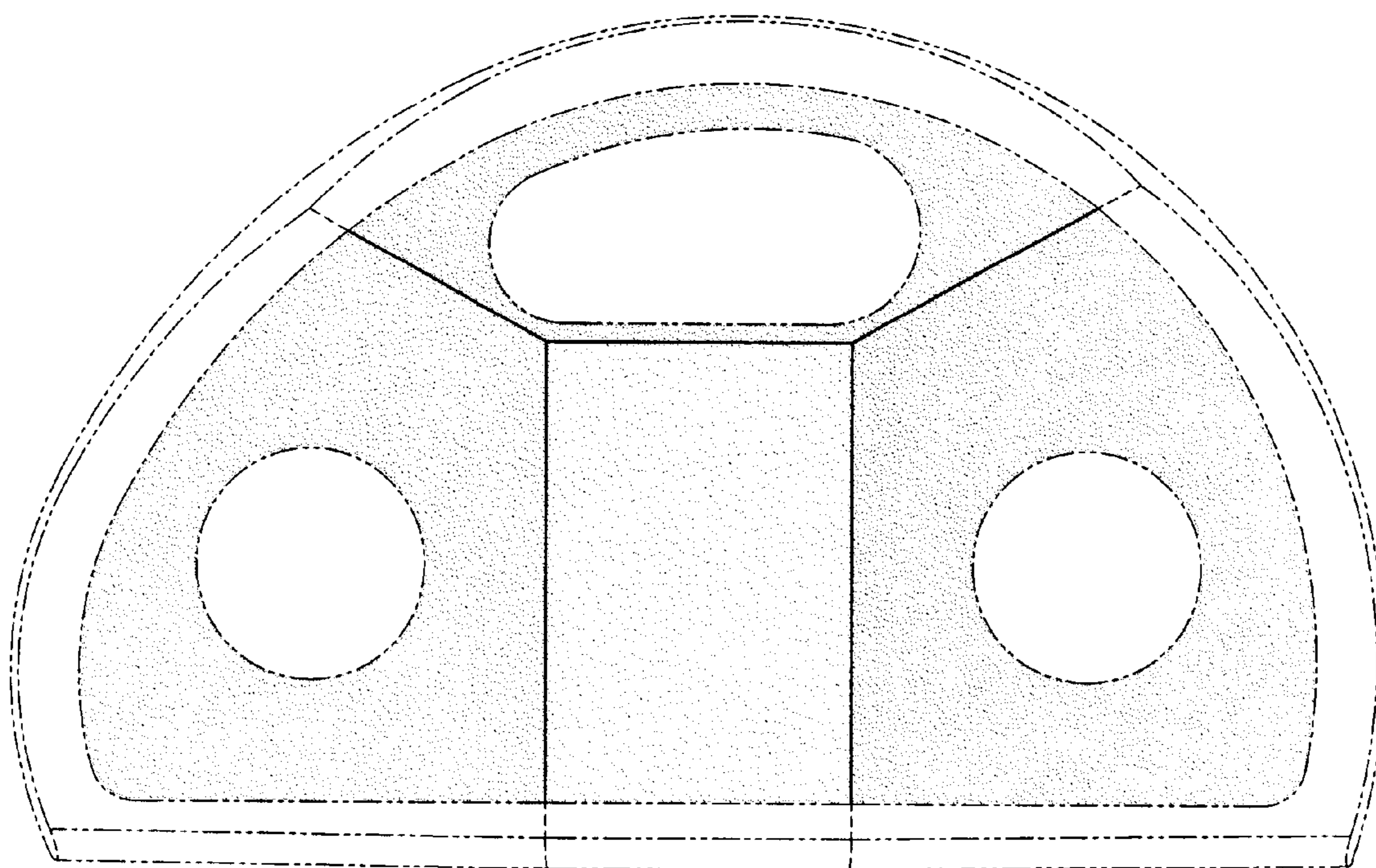


FIG. 3

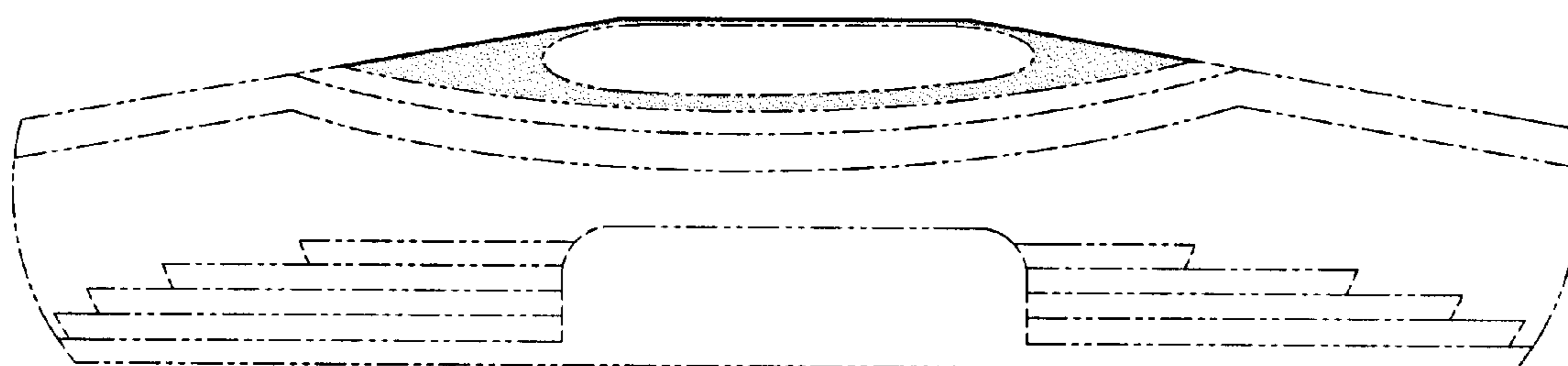


FIG. 4

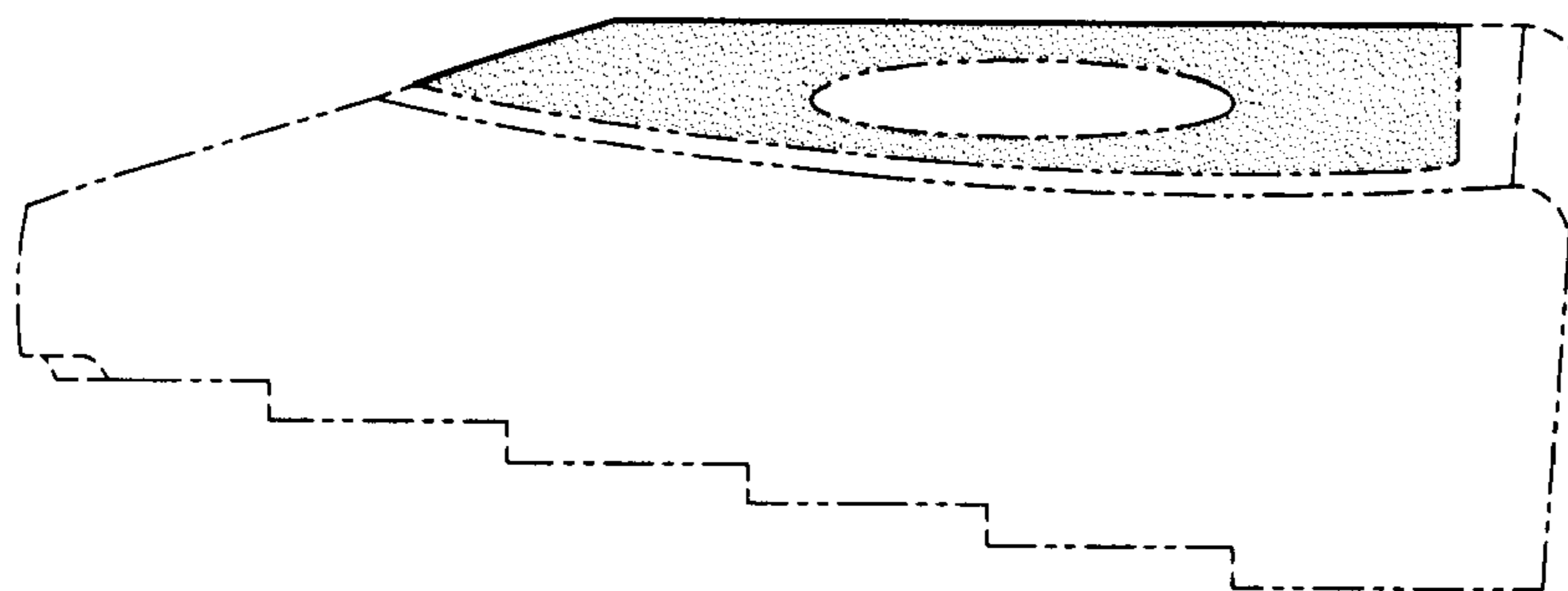


FIG. 5

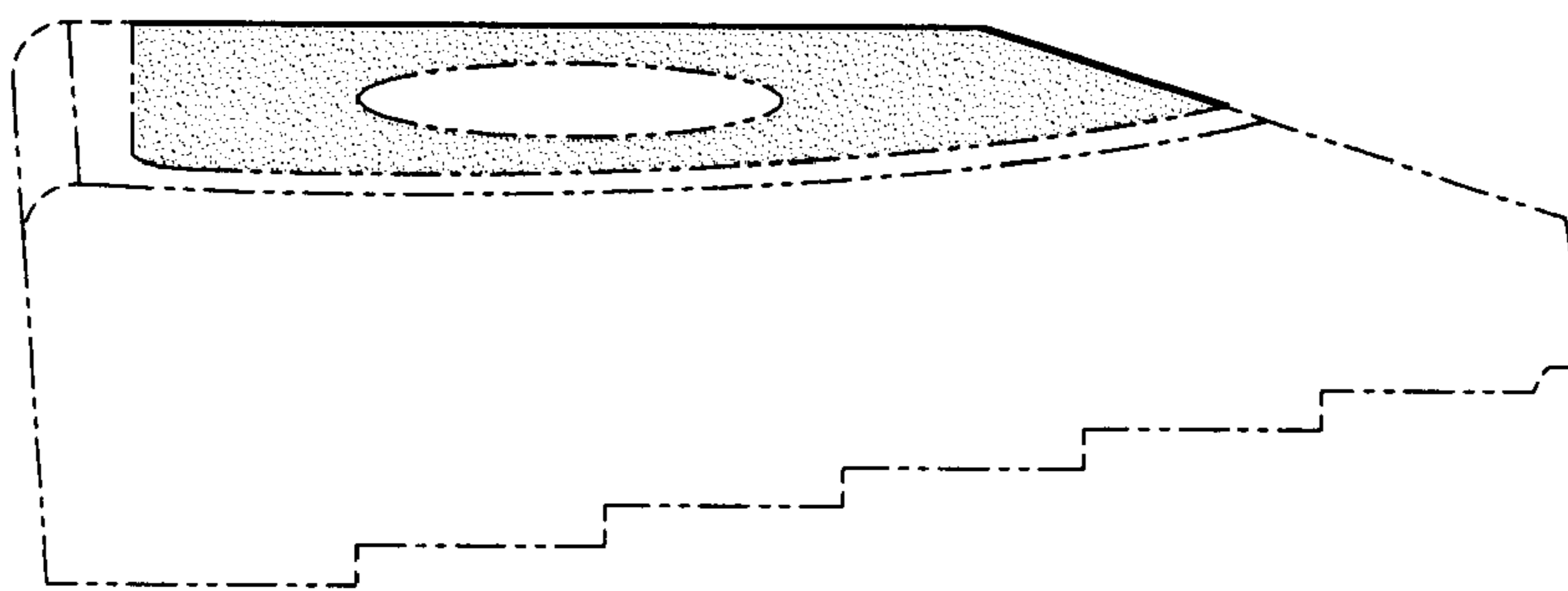


FIG. 6