



US00D529558S

(12) **United States Design Patent**
White

(10) **Patent No.:** **US D529,558 S**

(45) **Date of Patent:** **** Oct. 3, 2006**

(54) **BASKETBALL GOAL SUPPORT APPARATUS**

(75) Inventor: **Ronald White**, North Prairie, WI (US)

(73) Assignee: **Russell Corporation**, Atlanta, GA (US)

(**) Term: **14 Years**

(21) Appl. No.: **29/229,016**

(22) Filed: **May 3, 2005**

(51) **LOC (8) Cl.** **12-02**

(52) **U.S. Cl.** **D21/702**

(58) **Field of Classification Search** D21/699,
D21/701, 702-705; 473/447, 479-489
See application file for complete search history.

(56) **References Cited**

U.S. PATENT DOCUMENTS

4,801,142	A *	1/1989	Friesen	473/484
5,114,141	A *	5/1992	Mahoney	473/481
D343,883	S *	2/1994	Hall	D21/702
6,179,733	B1 *	1/2001	Story	473/484
6,283,878	B1 *	9/2001	White	473/484
6,302,811	B1 *	10/2001	Topham	473/484
6,419,597	B1 *	7/2002	van Nimwegen et al.	473/484
6,699,146	B1 *	3/2004	Winter et al.	473/484
2002/0094890	A1 *	7/2002	White et al.	473/483
2004/0185971	A1 *	9/2004	Nye et al.	473/481

2005/0215357 A1 * 9/2005 Guerzini et al. 473/481

* cited by examiner

Primary Examiner—Catherine Tuttle

(74) *Attorney, Agent, or Firm*—Howrey LLP; Michael J. Bell

(57) **CLAIM**

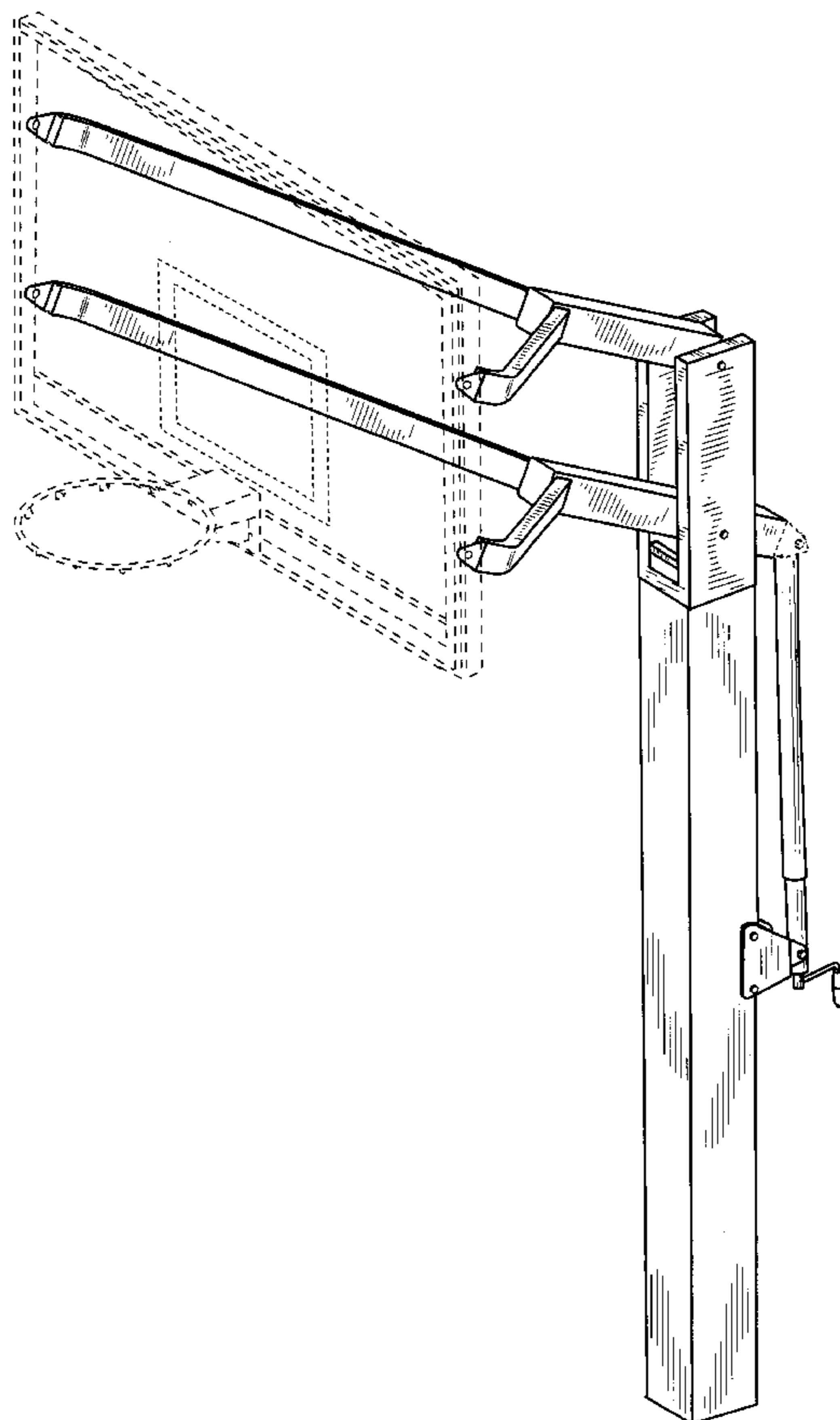
The ornamental design for a basketball goal support apparatus, as shown and described.

DESCRIPTION

FIG. 1 is a perspective view of a basketball goal support apparatus embodying my design;
FIG. 2 is a front elevational view of the basketball goal support apparatus of FIG. 1 with the backboard and basketball rim removed for clarity;
FIG. 3 is a rear elevational view thereof;
FIG. 4 is a left side elevational view thereof;
FIG. 5 is a right side elevational view thereof;
FIG. 6 is a top view thereof; and,
FIG. 7 is a bottom view thereof.

The broken lines in the figures represent portions of the basketball goal support that are not claimed. The appearance within the unshaded bottom end of the vertical support pole in FIG. 7 forms no part of the claimed design.

1 Claim, 6 Drawing Sheets



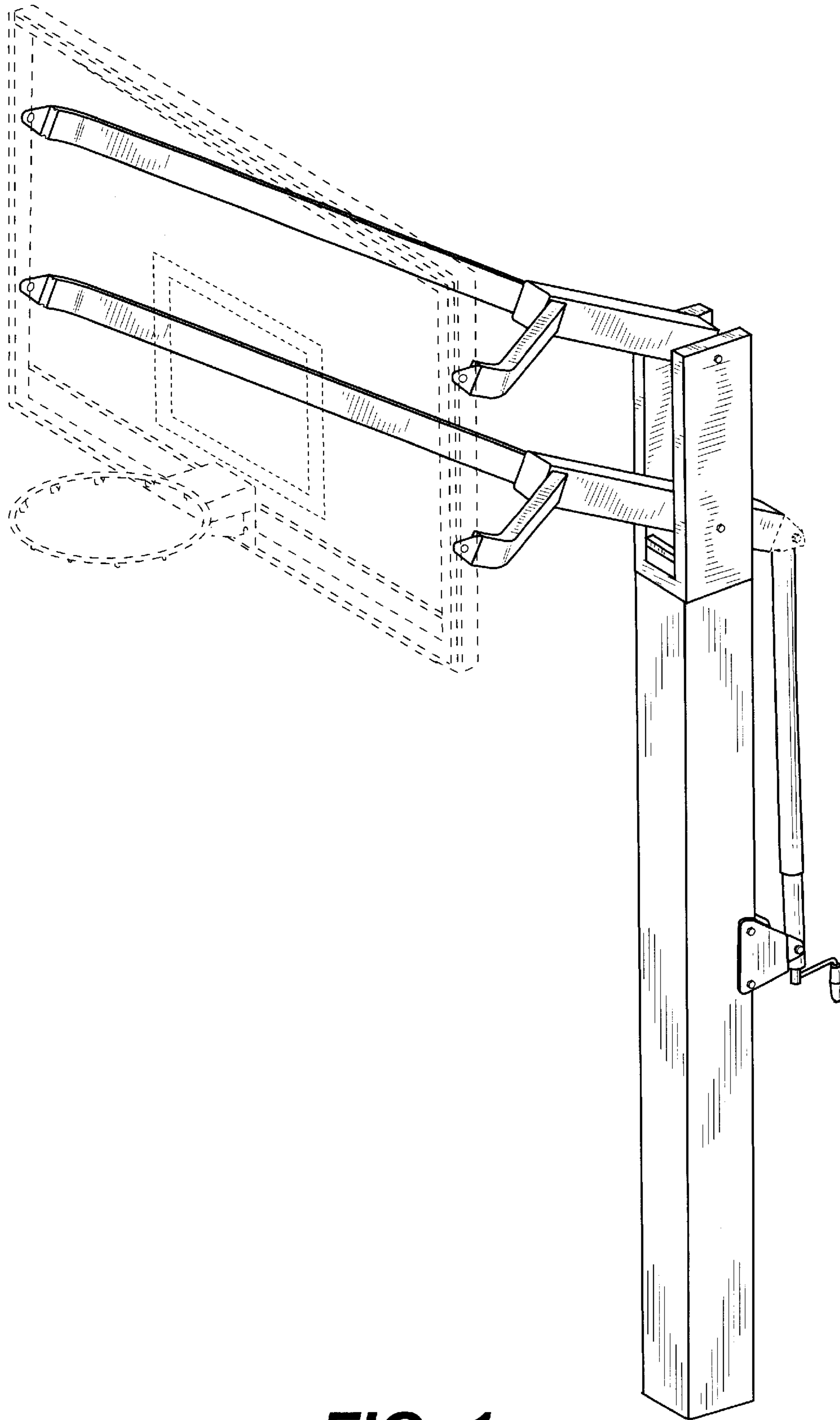


FIG. 1

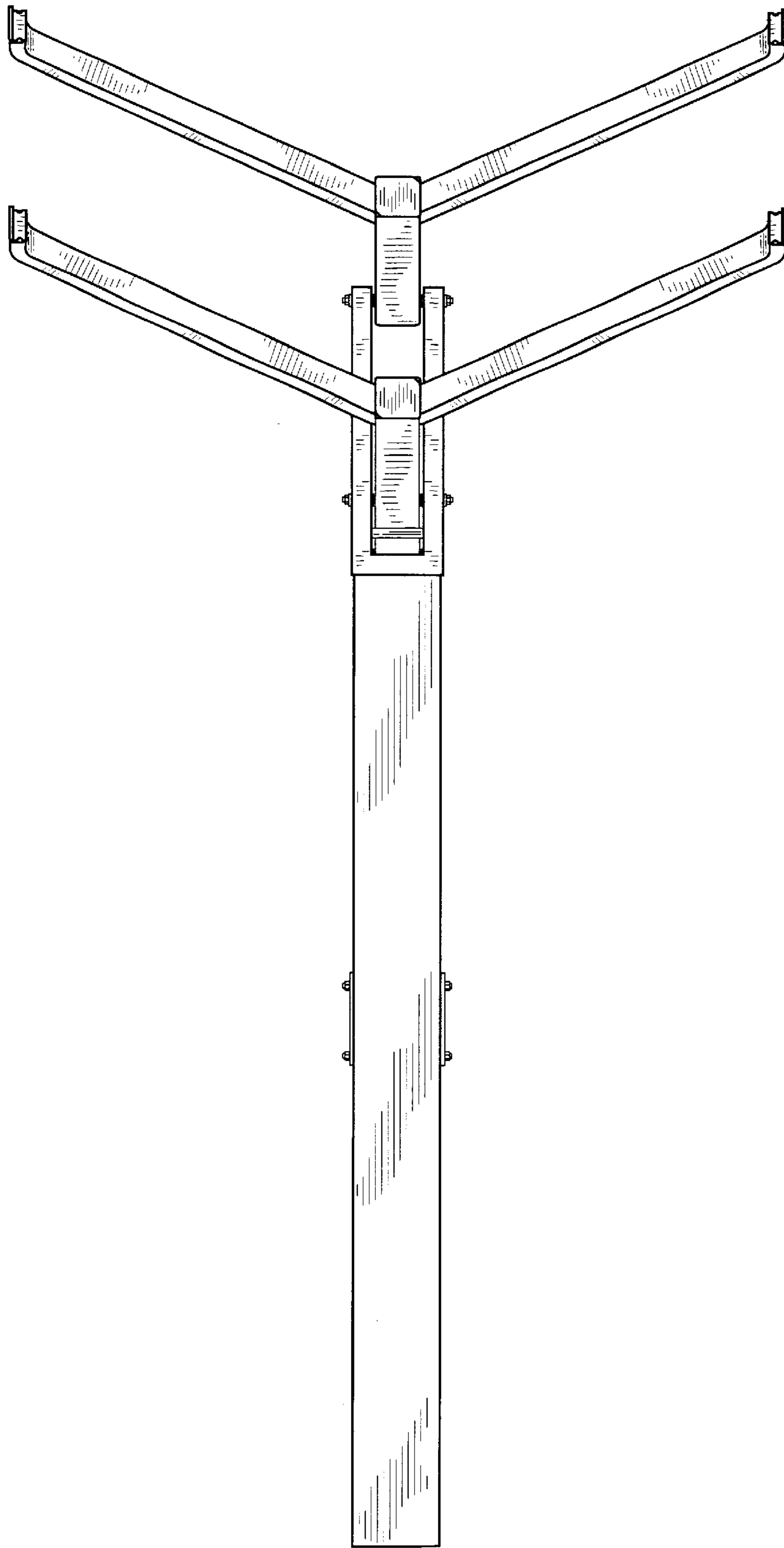


FIG. 2

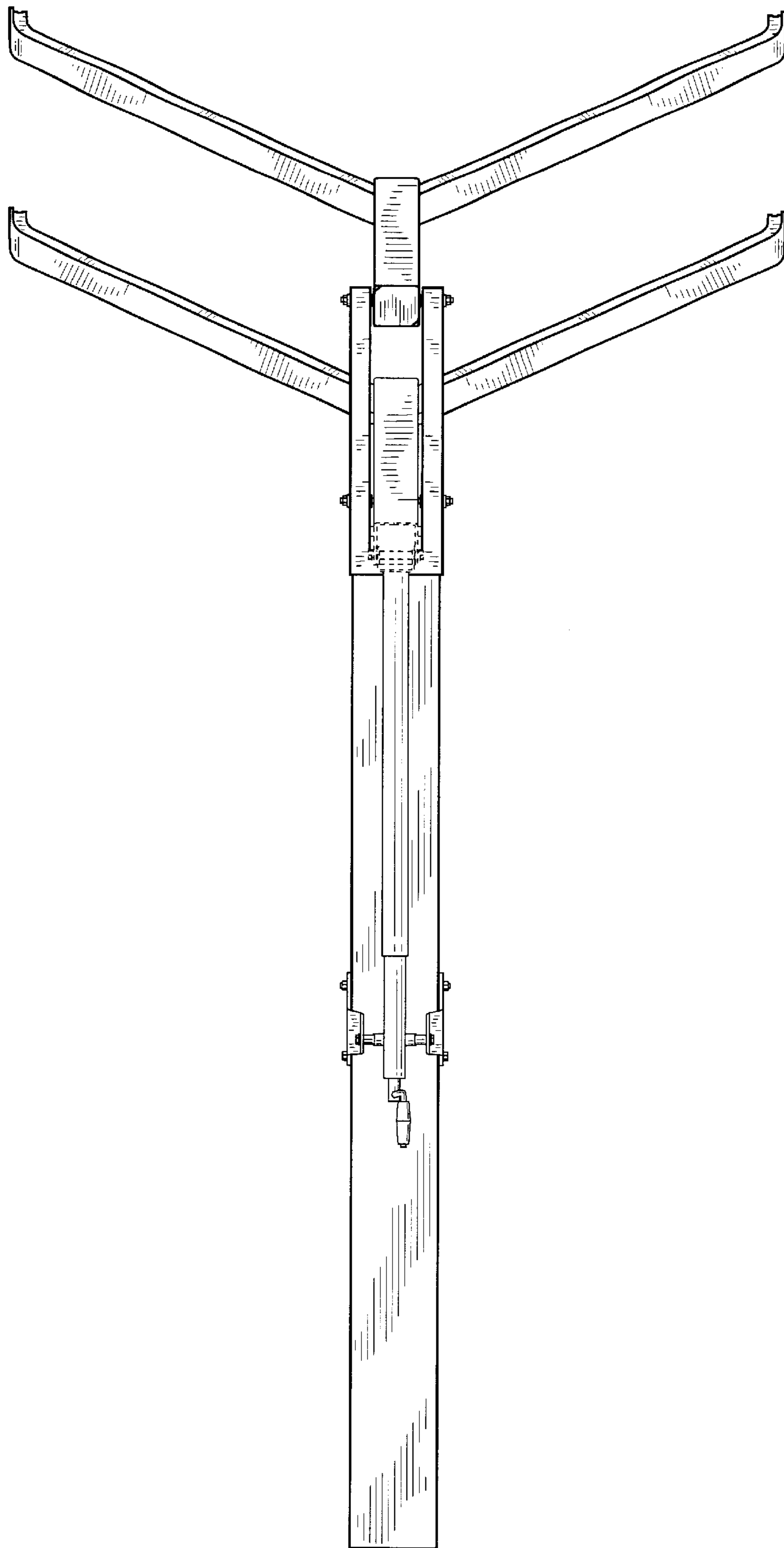


FIG. 3

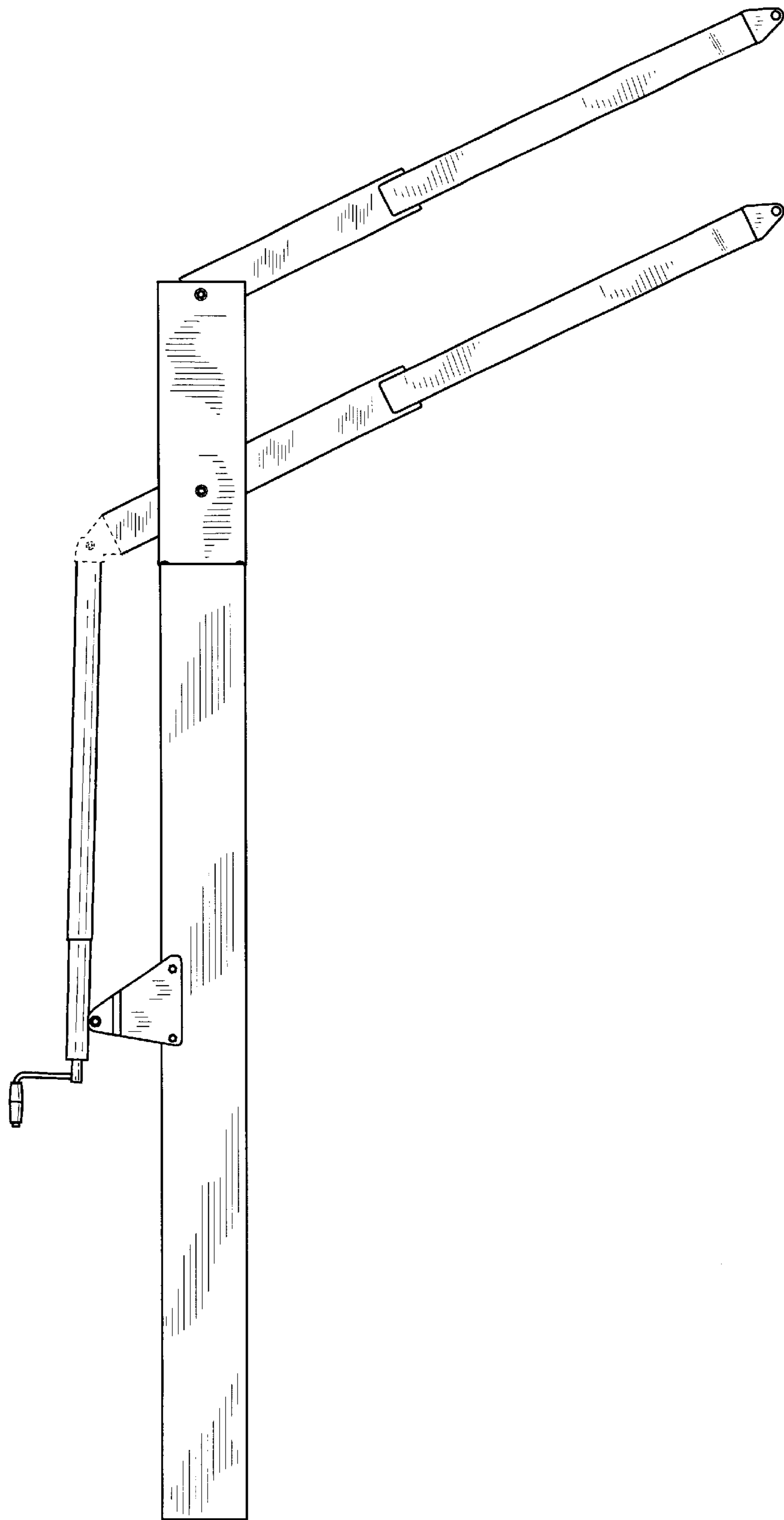


FIG. 4

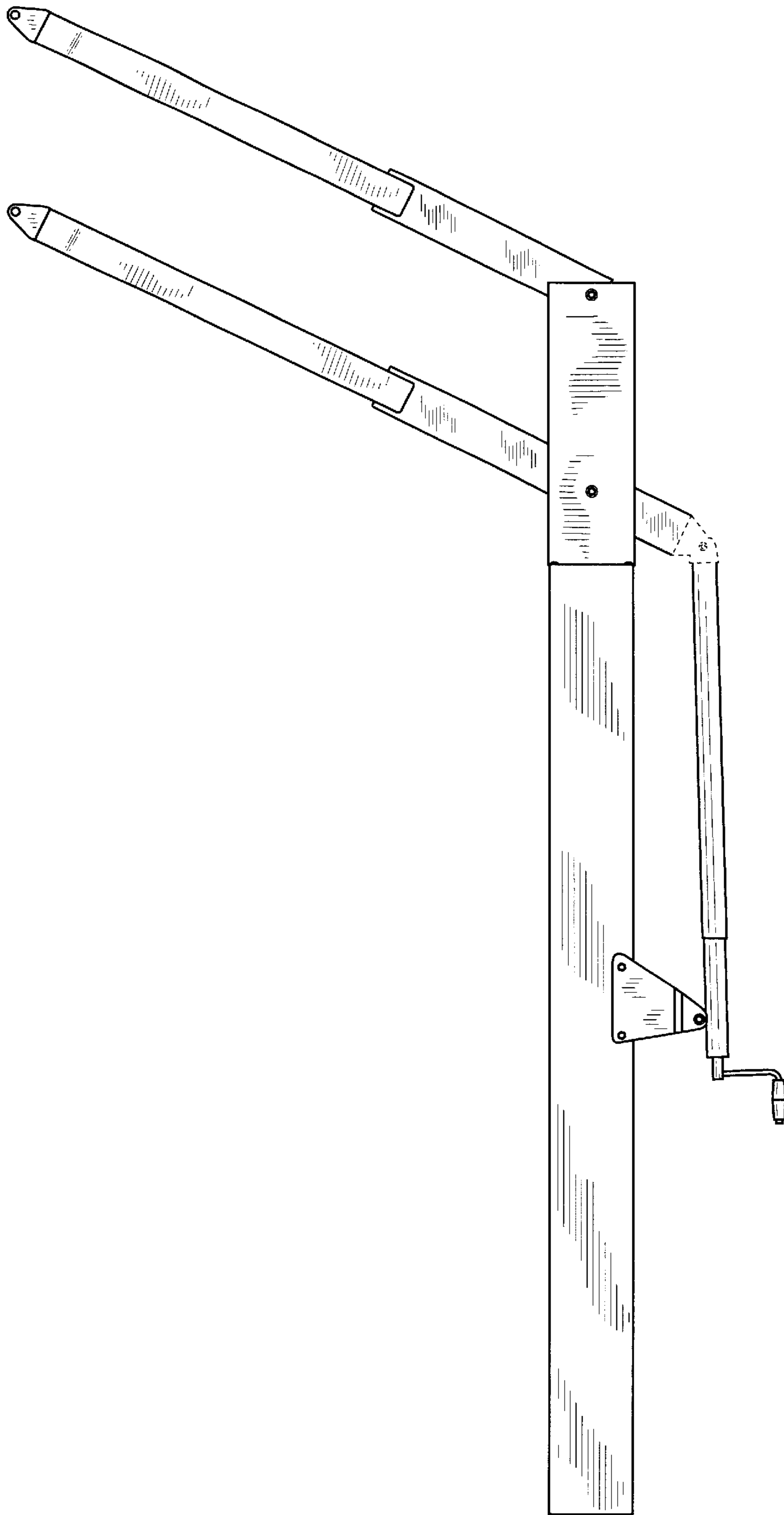


FIG. 5

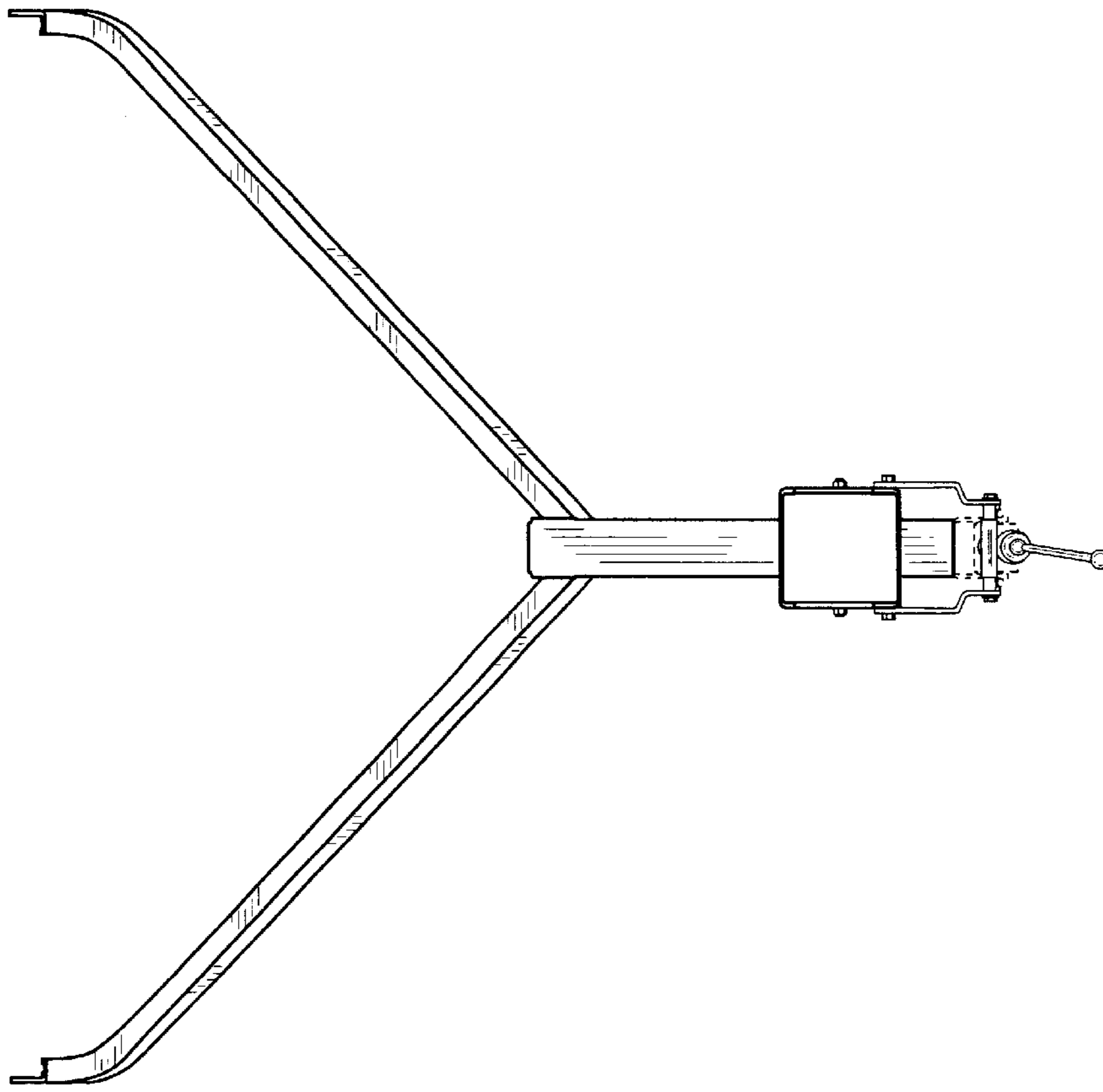


FIG. 7

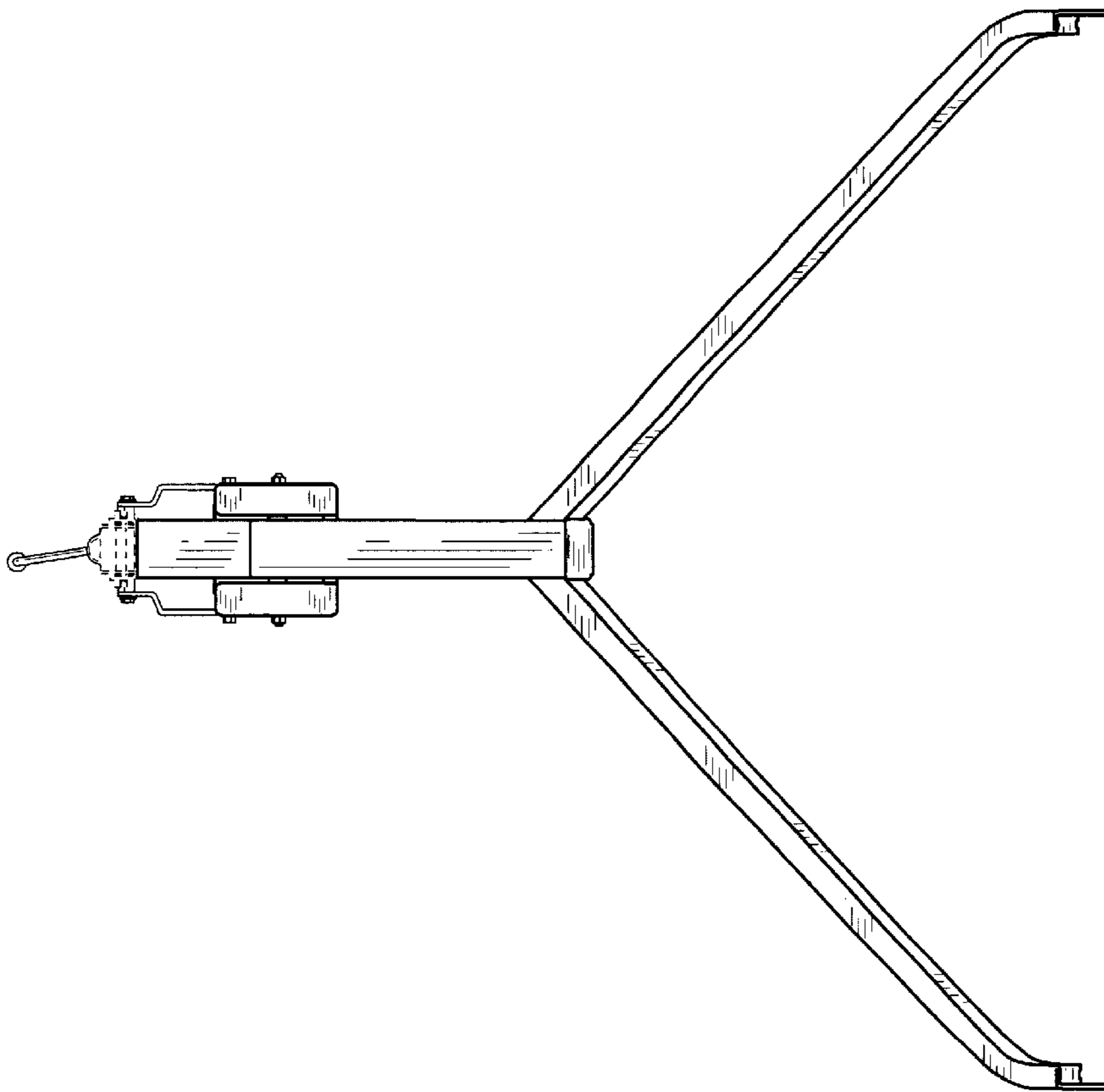


FIG. 6