



US00D529554S

(12) **United States Design Patent**  
**Tou**

(10) **Patent No.:** **US D529,554 S**

(45) **Date of Patent:** **\*\* Oct. 3, 2006**

(54) **HAND-HELD CRAFT PUNCH AND  
RETRACTABLE BLADE**

D512,617 S \* 12/2005 Adams et al. .... D8/50  
D515,374 S \* 2/2006 Sinisi ..... D8/50  
2005/0257658 A1 \* 11/2005 Weng ..... 83/588

(75) Inventor: **Chie Tou**, Kowloon (HK)

\* cited by examiner

(73) Assignee: **Midas Enterprises (Far East) Ltd.**,  
Kowloon (HK)

*Primary Examiner*—Elizabeth A. Albert  
(74) *Attorney, Agent, or Firm*—Law Office of Sergei Orel,  
LLC

(\*\*) Term: **14 Years**

(57) **CLAIM**

(21) Appl. No.: **29/218,608**

The ornamental design for a hand-held craft punch and retractable blade, as shown and described.

(22) Filed: **Dec. 3, 2004**

(30) **Foreign Application Priority Data**

**DESCRIPTION**

Aug. 12, 2004 (HK) ..... 0411797

FIG. 1 is a front elevational view of the hand-held craft punch and retractable blade showing my new design;  
FIG. 2 is a rear elevational view thereof;  
FIG. 3 is a left side elevational view thereof;  
FIG. 4 is a right side elevational view thereof;  
FIG. 5 is a top plan view thereof;  
FIG. 6 is a bottom plan view thereof;  
FIG. 7 is perspective view thereof; and,  
FIG. 8 is an exploded perspective view thereof, with lowered handle.

(51) **LOC (8) Cl.** ..... **19-02**

(52) **U.S. Cl.** ..... **D19/72**

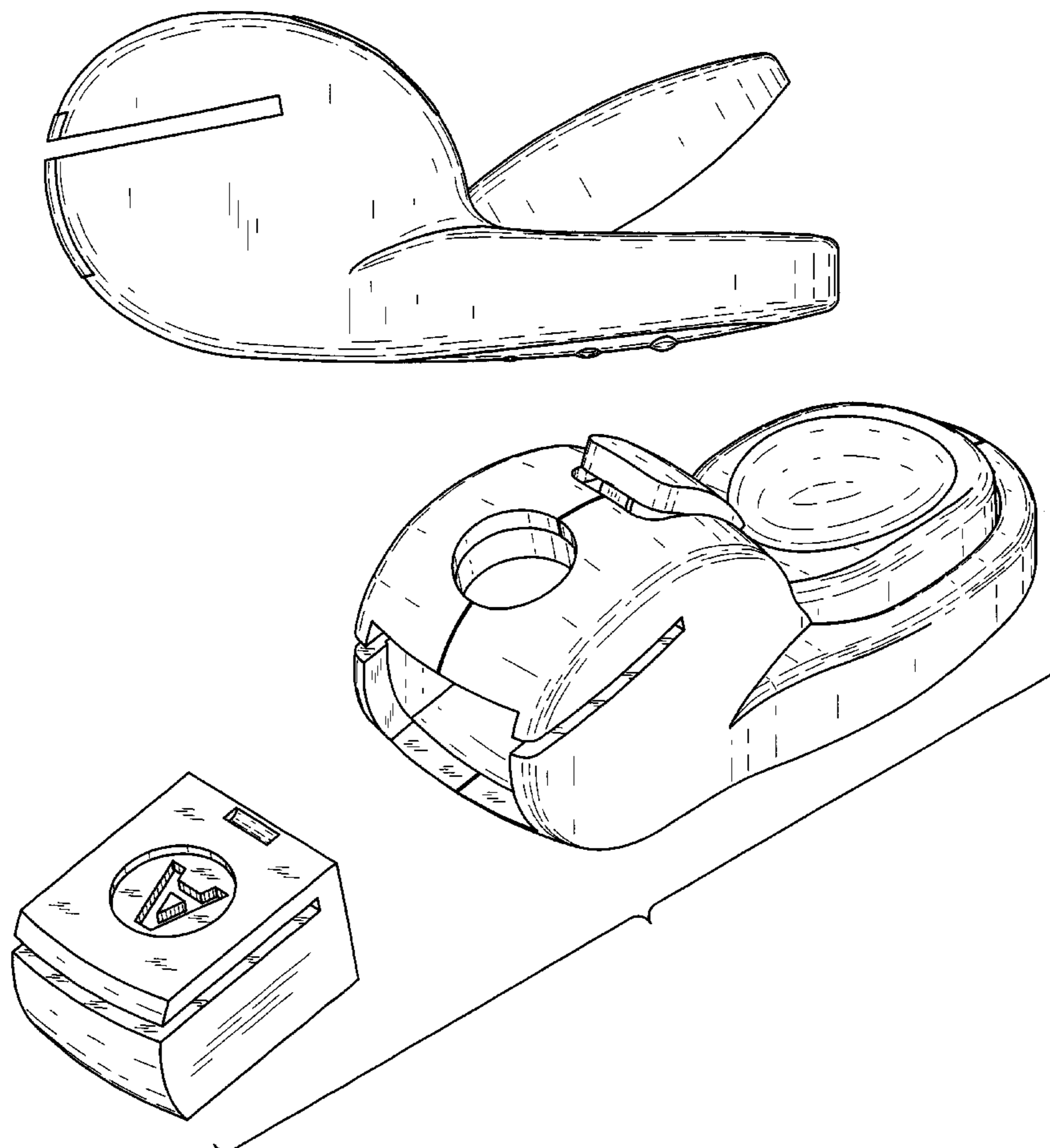
(58) **Field of Classification Search** ..... D8/49,  
D8/98; D19/72, 73; 30/229, 358, 363; 83/467.1,  
83/588, 620, 633, 684, 691, 698.91; 227/134  
See application file for complete search history.

(56) **References Cited**

**U.S. PATENT DOCUMENTS**

D491,230 S \* 6/2004 Lee ..... D19/72

**1 Claim, 6 Drawing Sheets**



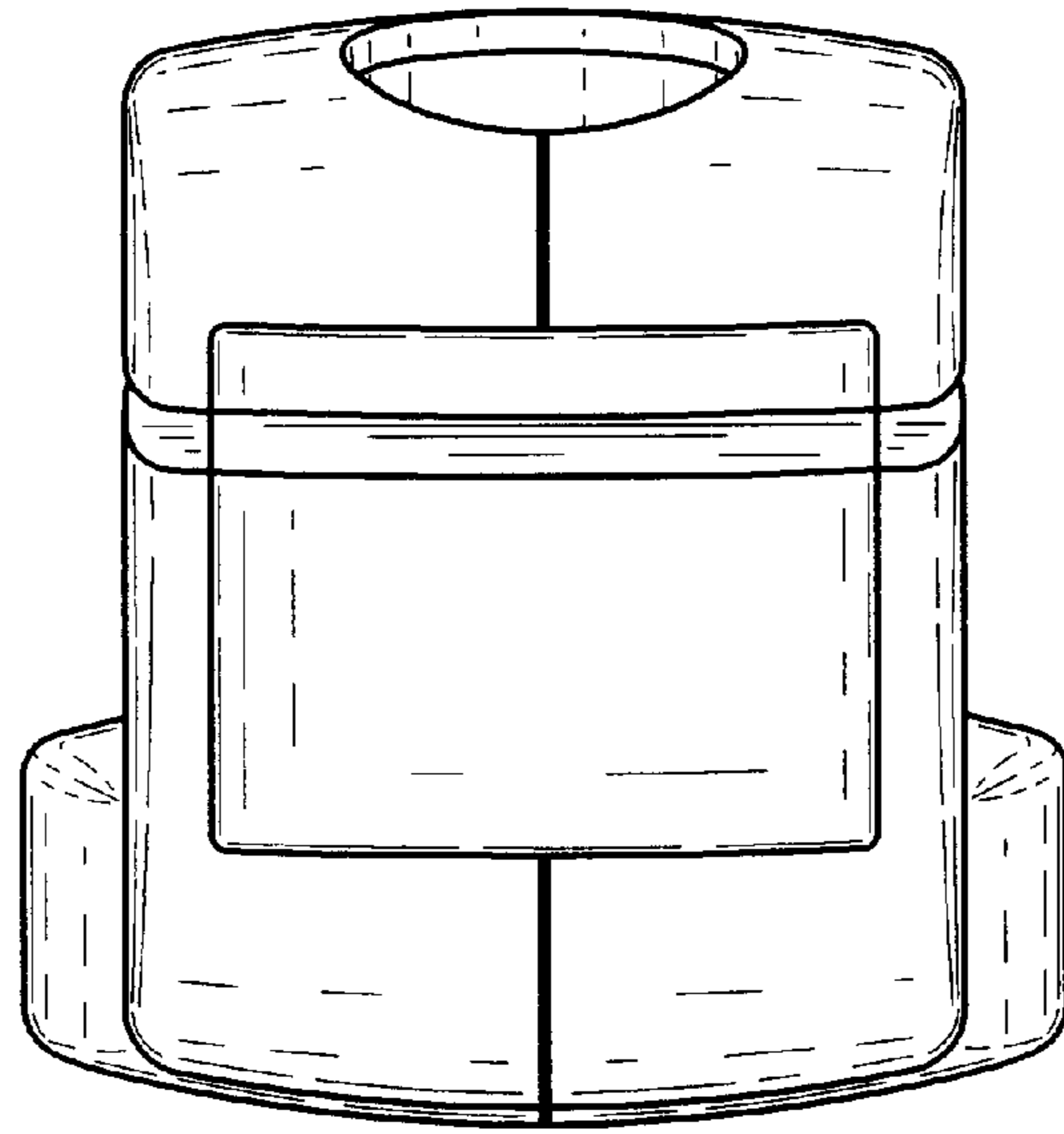


Fig.1

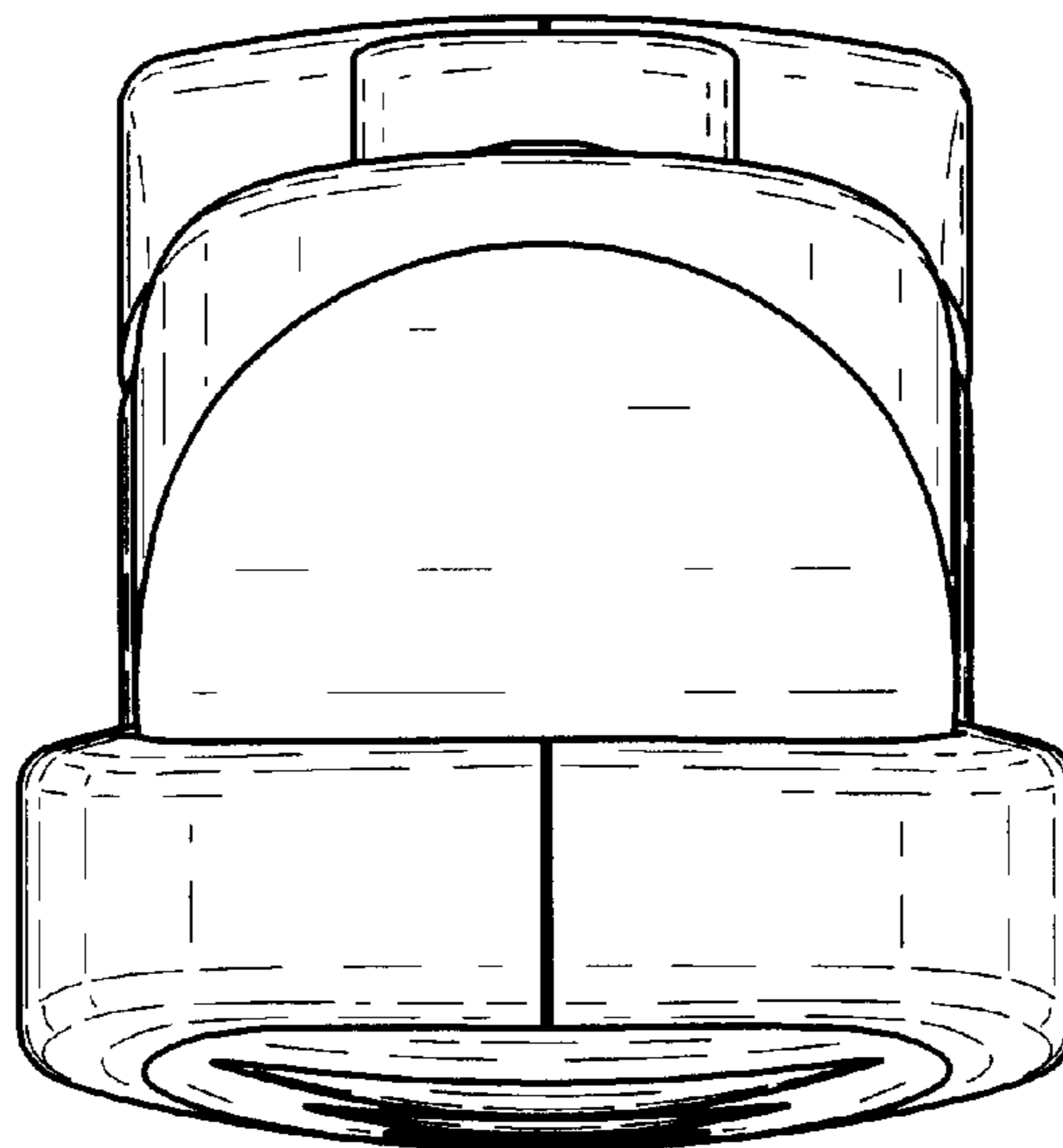


Fig.2

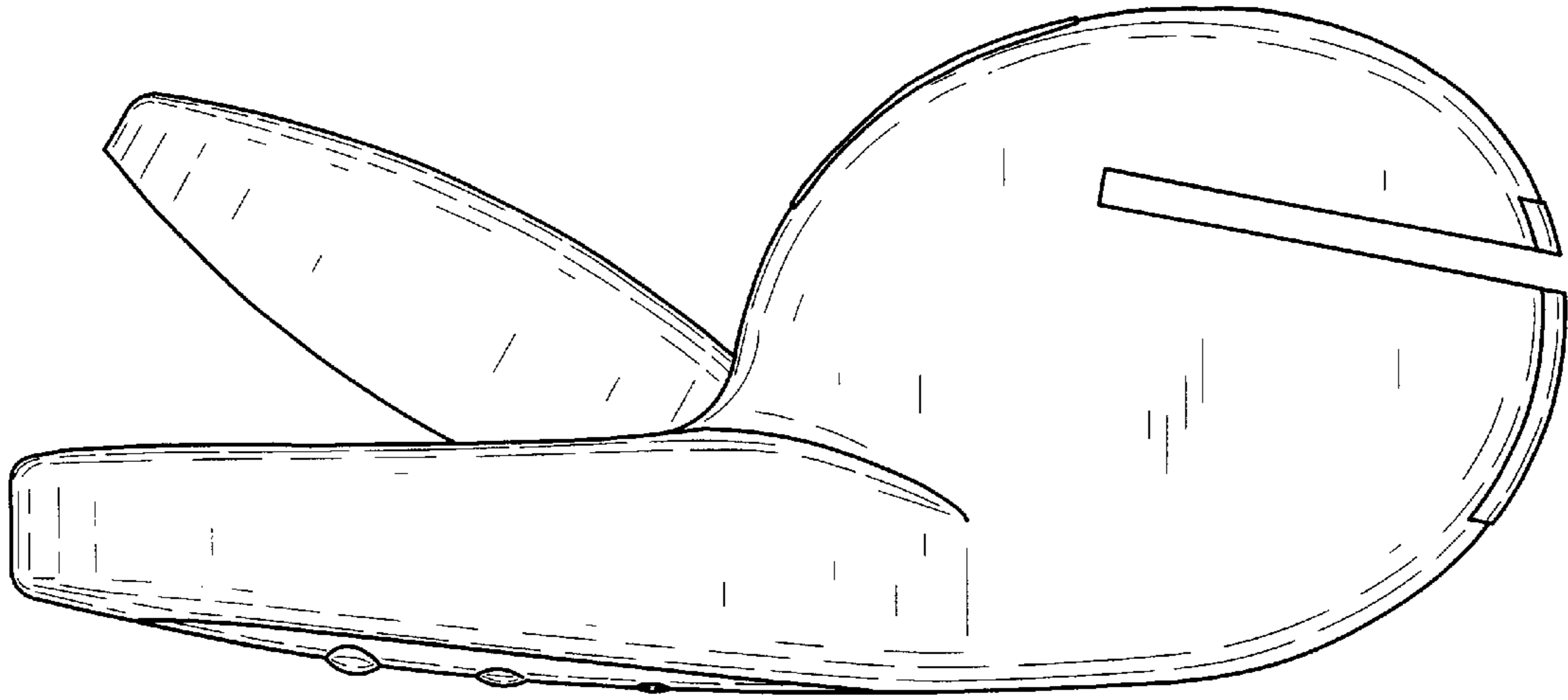


Fig.3

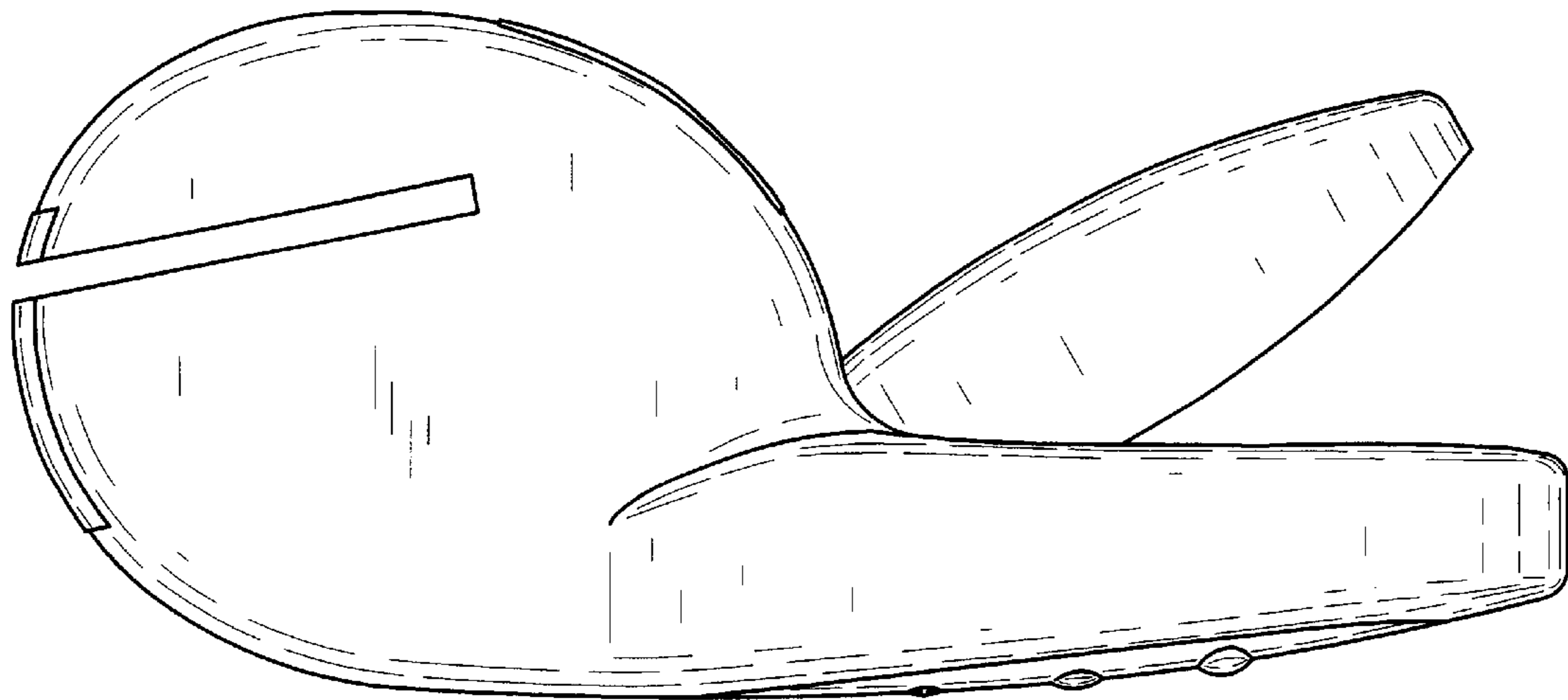


Fig.4

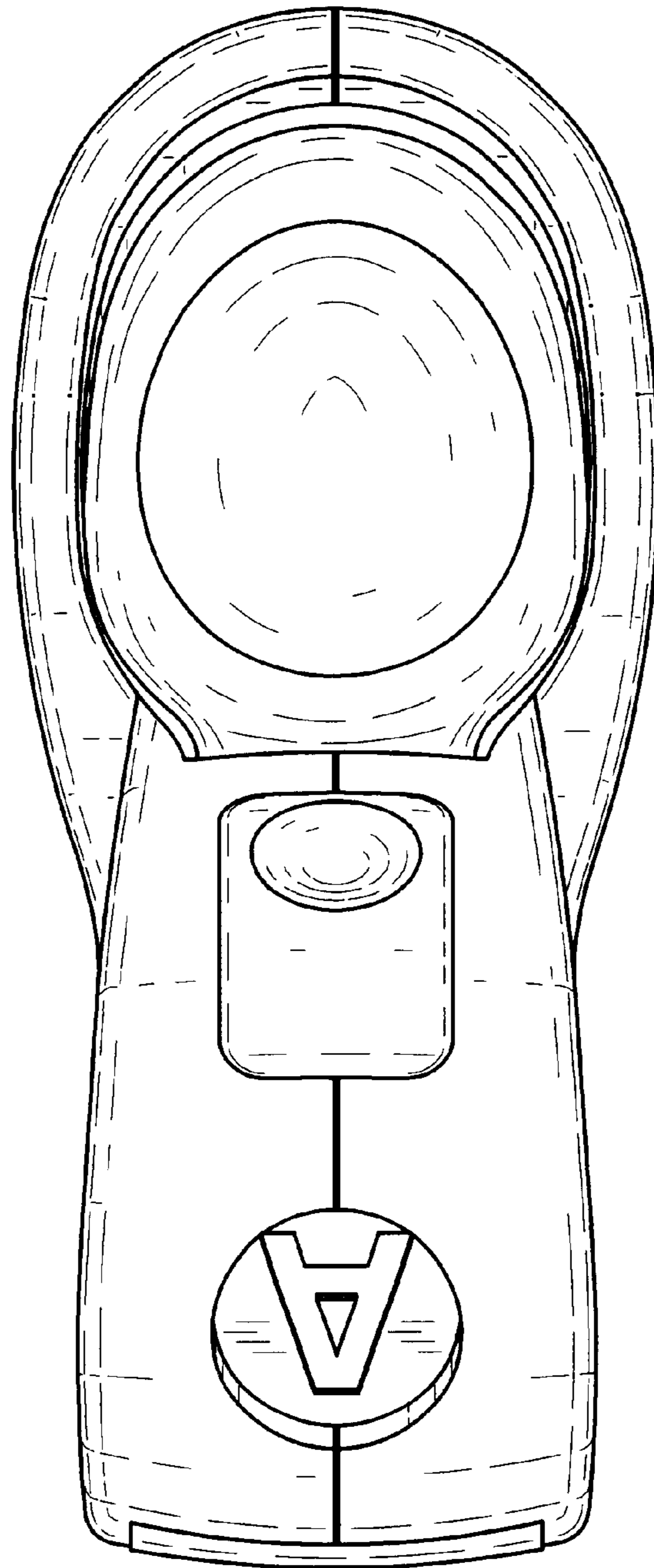


Fig.5

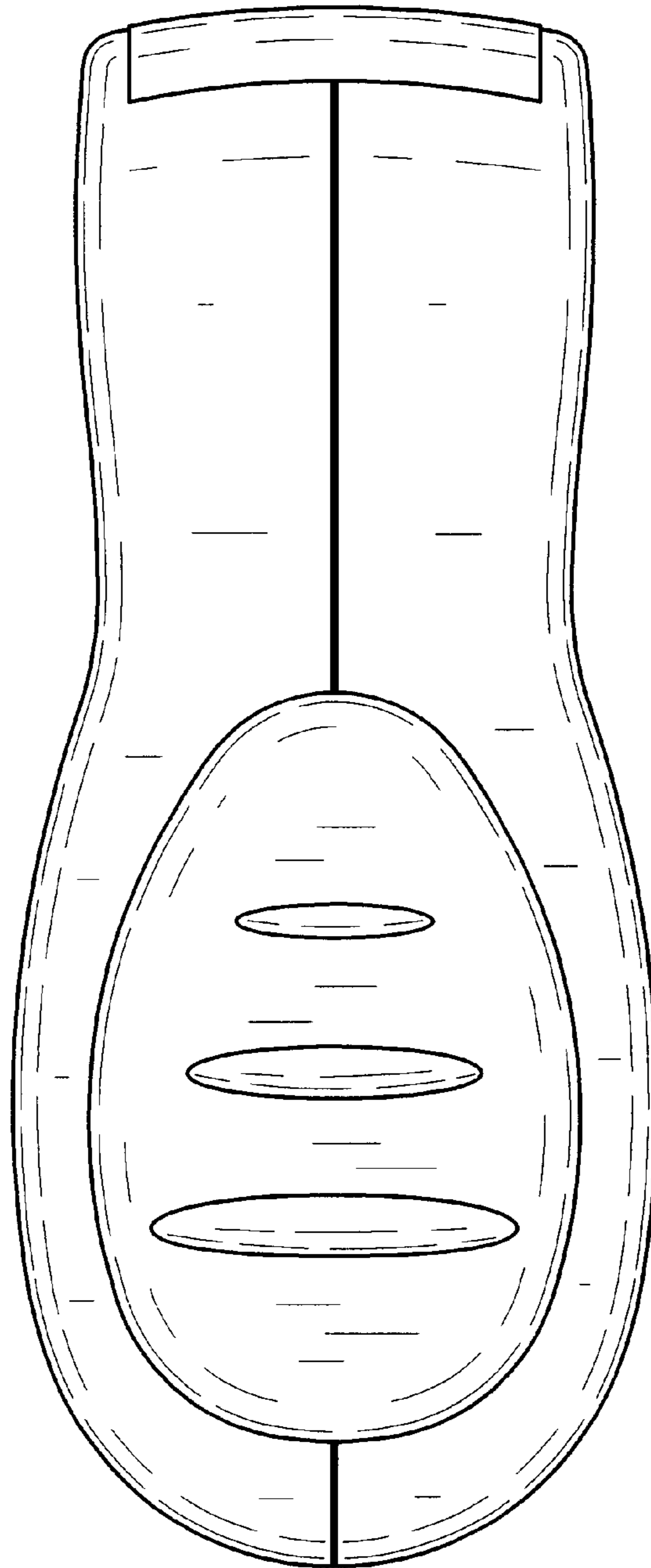


Fig.6

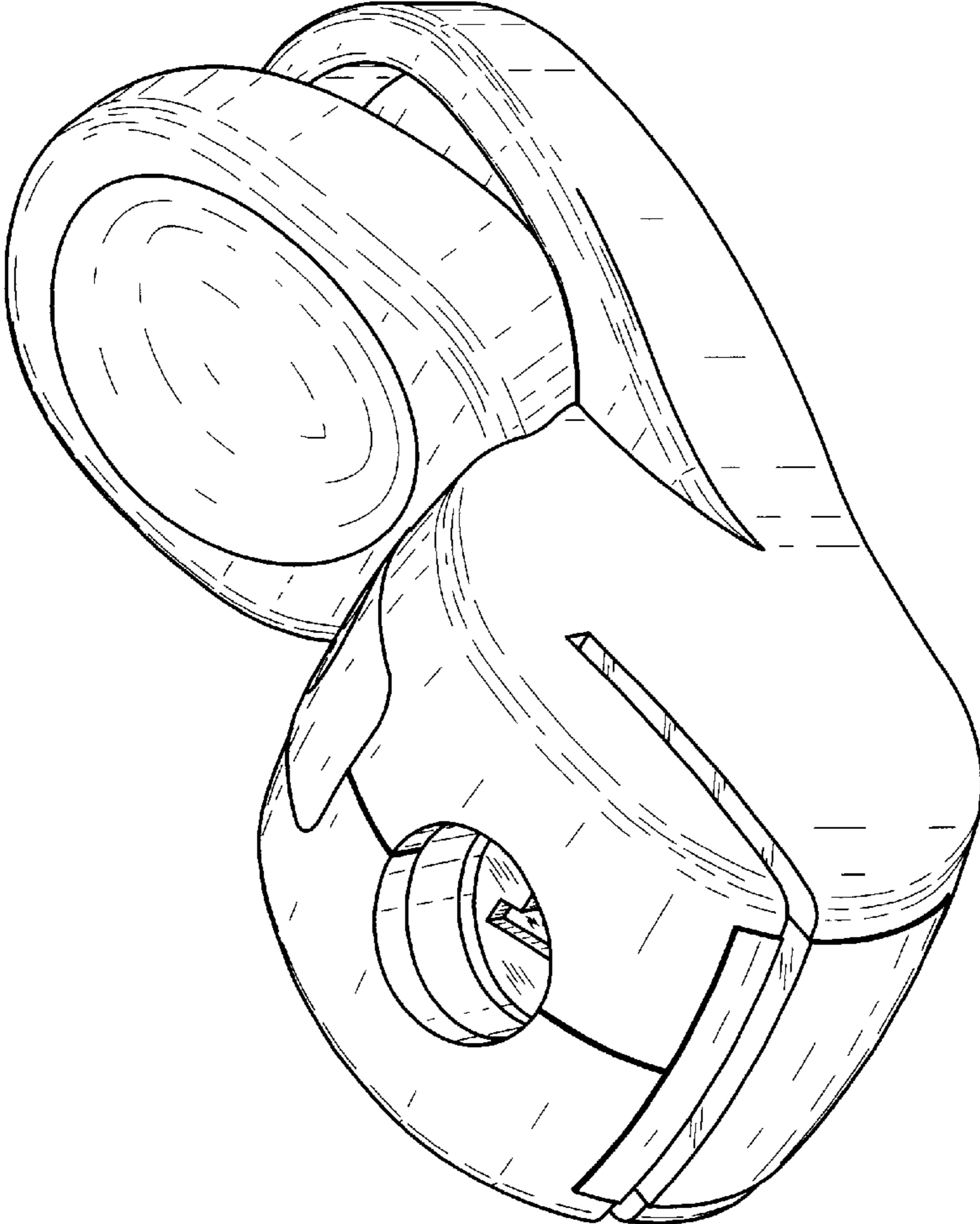


Fig.7

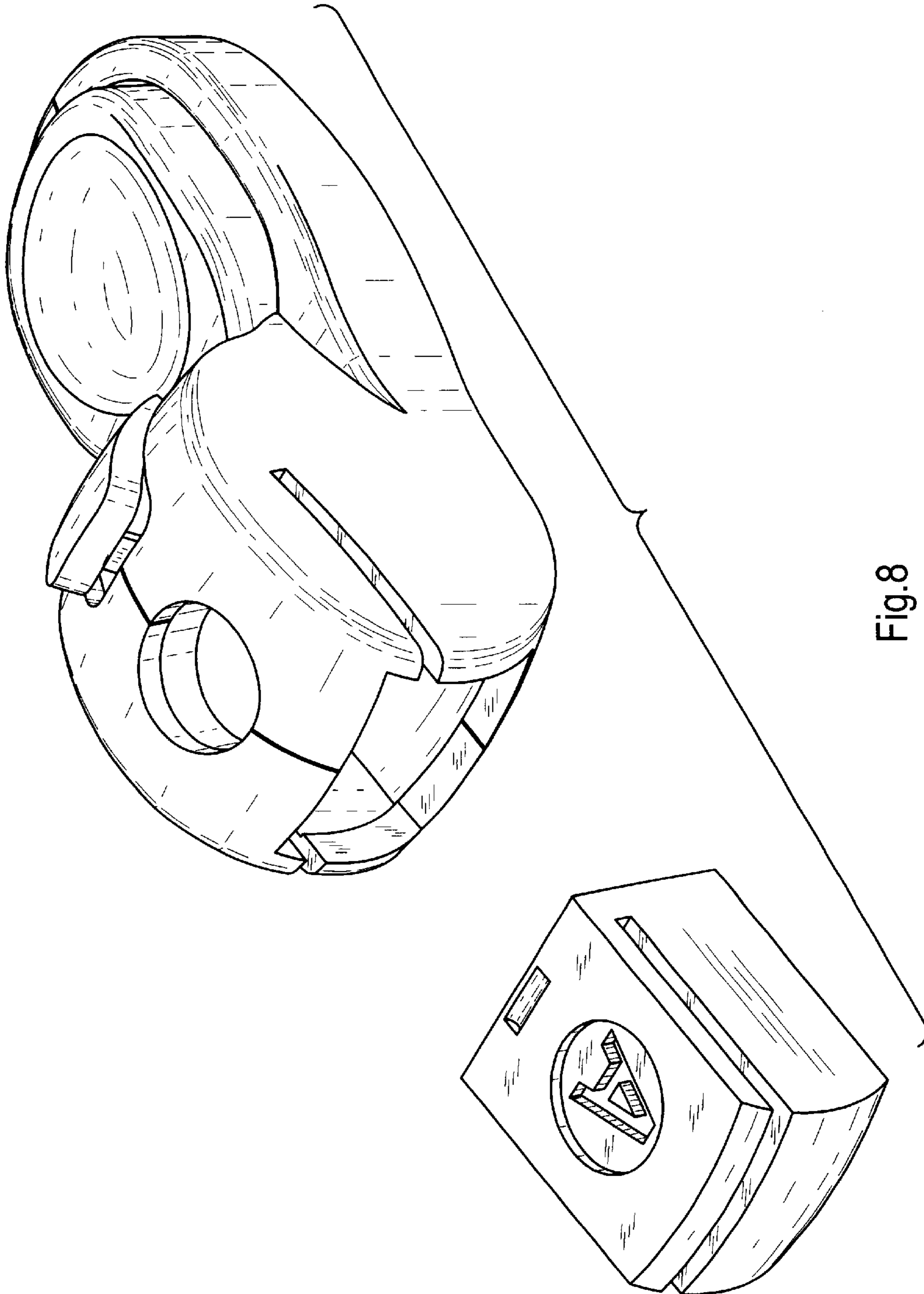


Fig.8