



US00D529553S

(12) **United States Design Patent** (10) **Patent No.:** **US D529,553 S**
Crawford et al. (45) **Date of Patent:** **** Oct. 3, 2006**

(54) **DESKTOP TAPE DISPENSER**

(75) Inventors: **Dennis L. Crawford**, Roberts, WI (US); **Mauro Porcini**, Bregano (IT); **Craig Thompson**, Inver Grove Heights, MN (US); **Carsten Astheimer**, Turin (IT); **Roberto Cini**, Turin (IT)

(73) Assignee: **3M Innovative Properties Company**, St. Paul, MN (US)

(**) Term: **14 Years**

(21) Appl. No.: **29/220,459**

(22) Filed: **Dec. 28, 2004**

(51) **LOC (8) Cl.** **19-02**

(52) **U.S. Cl.** **D19/69**

(58) **Field of Classification Search** D19/67, D19/68, 69, 70; 156/523, 527, 577; 206/411; 225/6, 11, 19, 25, 26, 39, 56, 77; 242/588.1, 242/588.2, 588.3, 588.6

See application file for complete search history.

(56) **References Cited**

U.S. PATENT DOCUMENTS

- 2,017,045 A * 10/1935 Granholm 34/95.4
- D120,743 S * 5/1940 Petzold D19/89
- 3,381,853 A * 5/1968 Ferris et al. 221/63
- 4,993,590 A 2/1991 Windorski
- 5,086,946 A 2/1992 Blackwell et al.
- 5,165,570 A 11/1992 Windorski et al.
- D348,484 S * 7/1994 Blackwell et al. D19/69
- D348,690 S * 7/1994 Samuelson D19/69

- 5,401,547 A 3/1995 Blackwell et al.
- D357,938 S 5/1995 Wolff
- D444,179 S * 6/2001 Dill D19/90
- D456,849 S 5/2002 Thompson et al.
- D478,226 S 8/2003 Peyker
- D502,740 S * 3/2005 Stoddard et al. D19/86

OTHER PUBLICATIONS

Seven pages from a portion of an IDECO International, Inc. catalogue, Taiwan, undated.

* cited by examiner

Primary Examiner—Caron D. Veynar

Assistant Examiner—Elizabeth Albert

(74) *Attorney, Agent, or Firm*—Trisha D. Adamson

(57) **CLAIM**

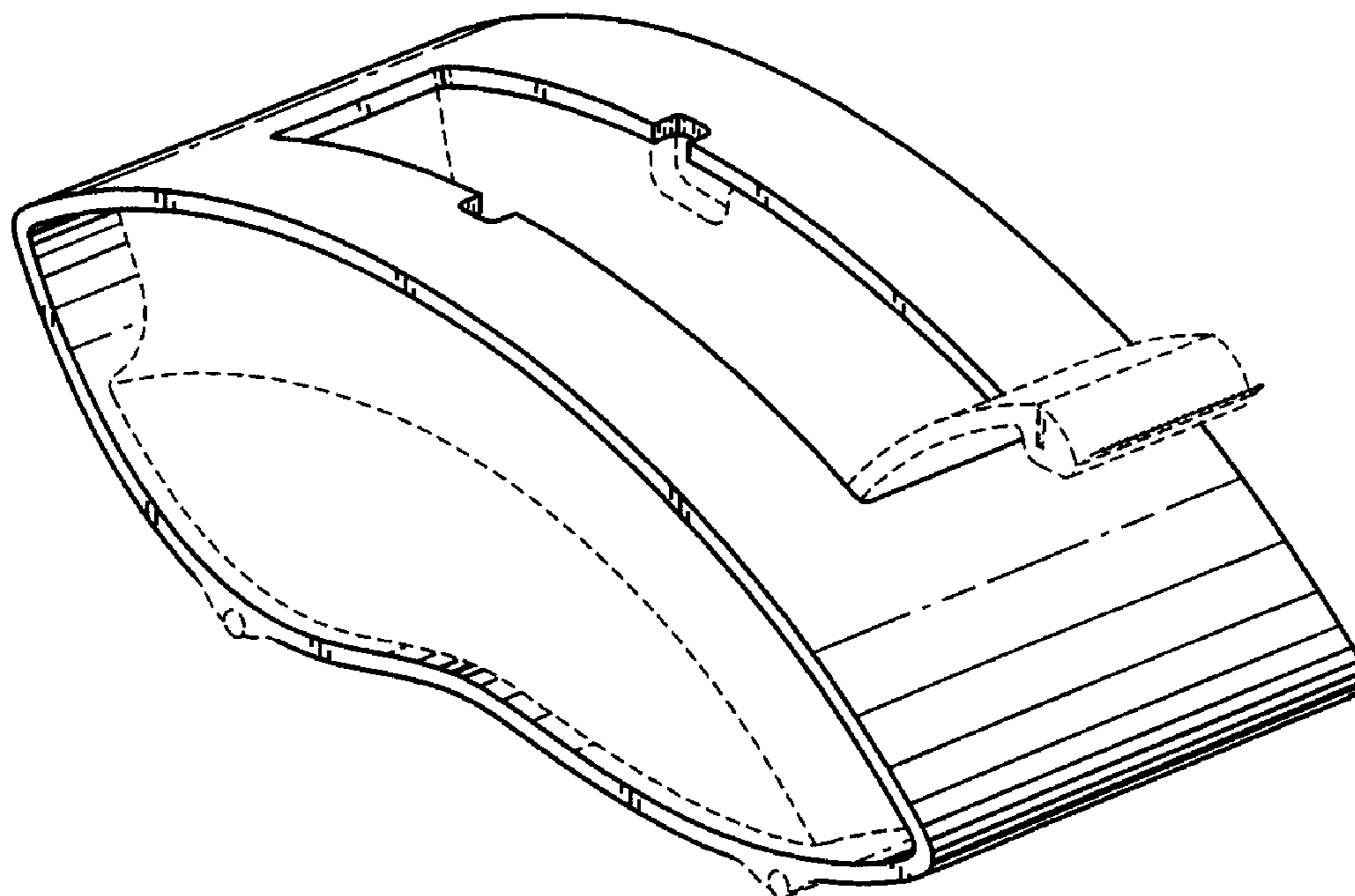
The ornamental design for a desktop tape dispenser, as shown and described.

DESCRIPTION

FIG. 1 is a perspective view of a desktop tape dispenser; FIG. 2 is a top plan view thereof; FIG. 3 is a left side plan view thereof, the right side plan view being a mirror image; FIG. 4 is a bottom plan view thereof; FIG. 5 is a front plan view thereof; and, FIG. 6 is a back plan view thereof.

The broken lines showing environment in the drawings are for information purposes only and form no part of the claimed design.

1 Claim, 3 Drawing Sheets



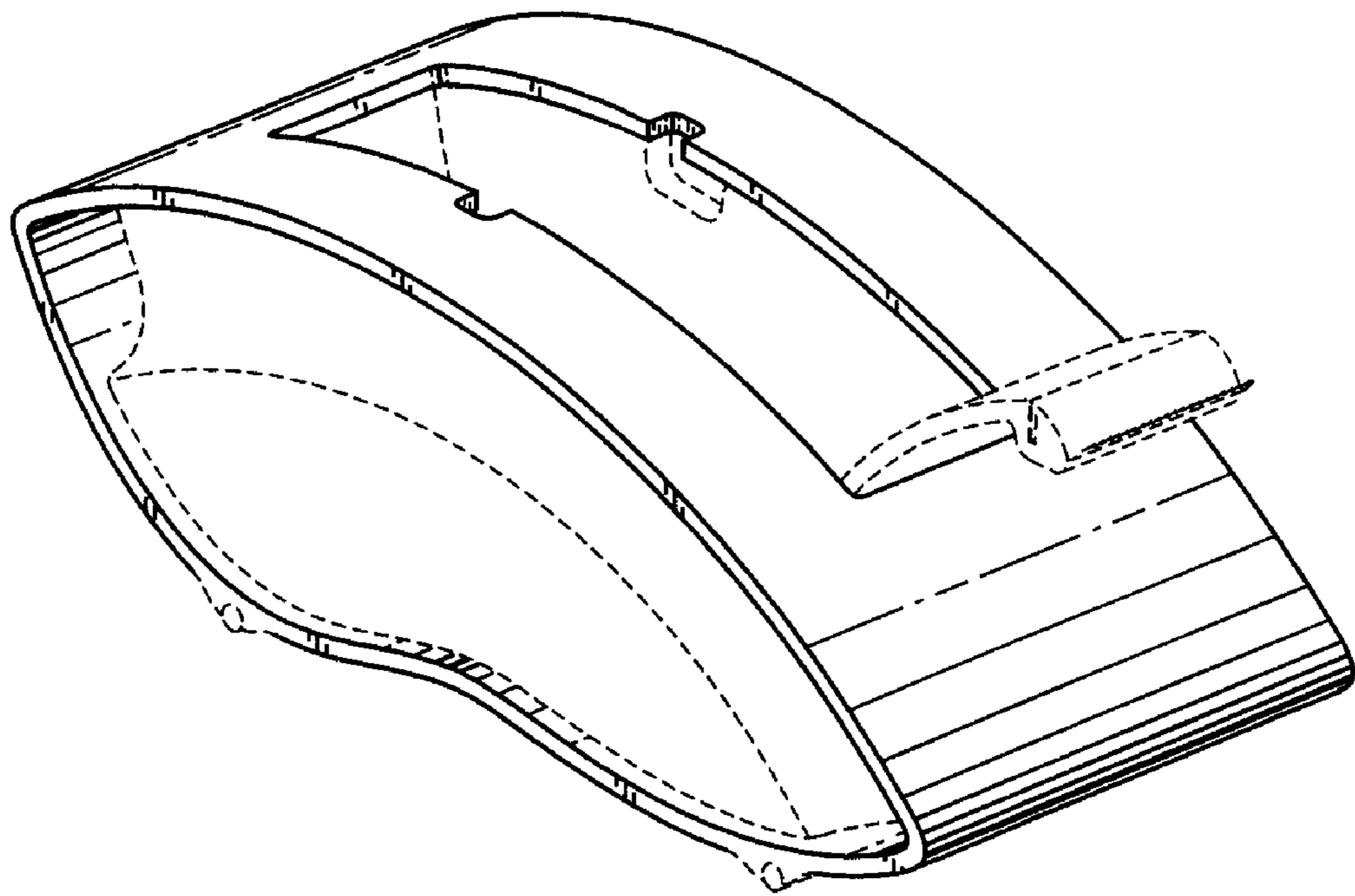


FIG. 1

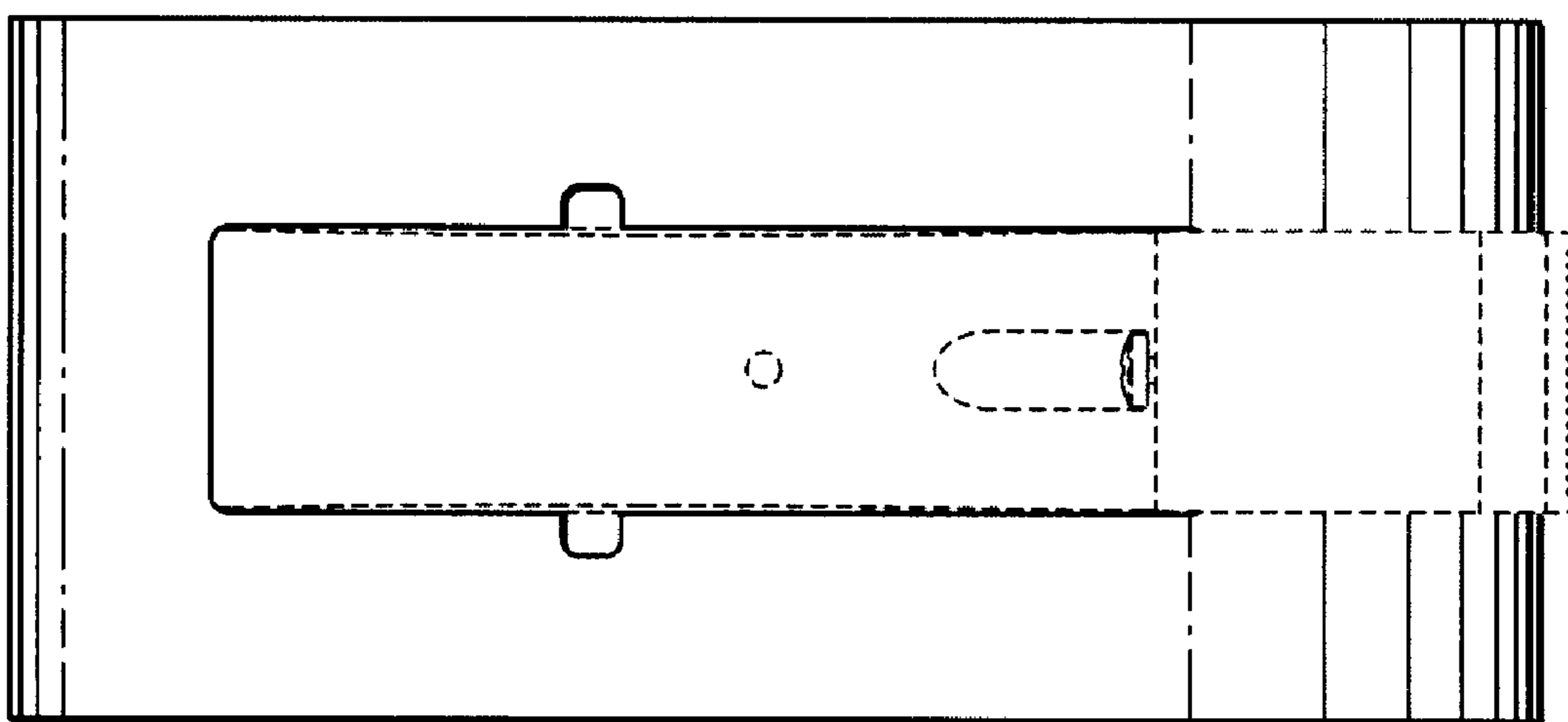


FIG. 2

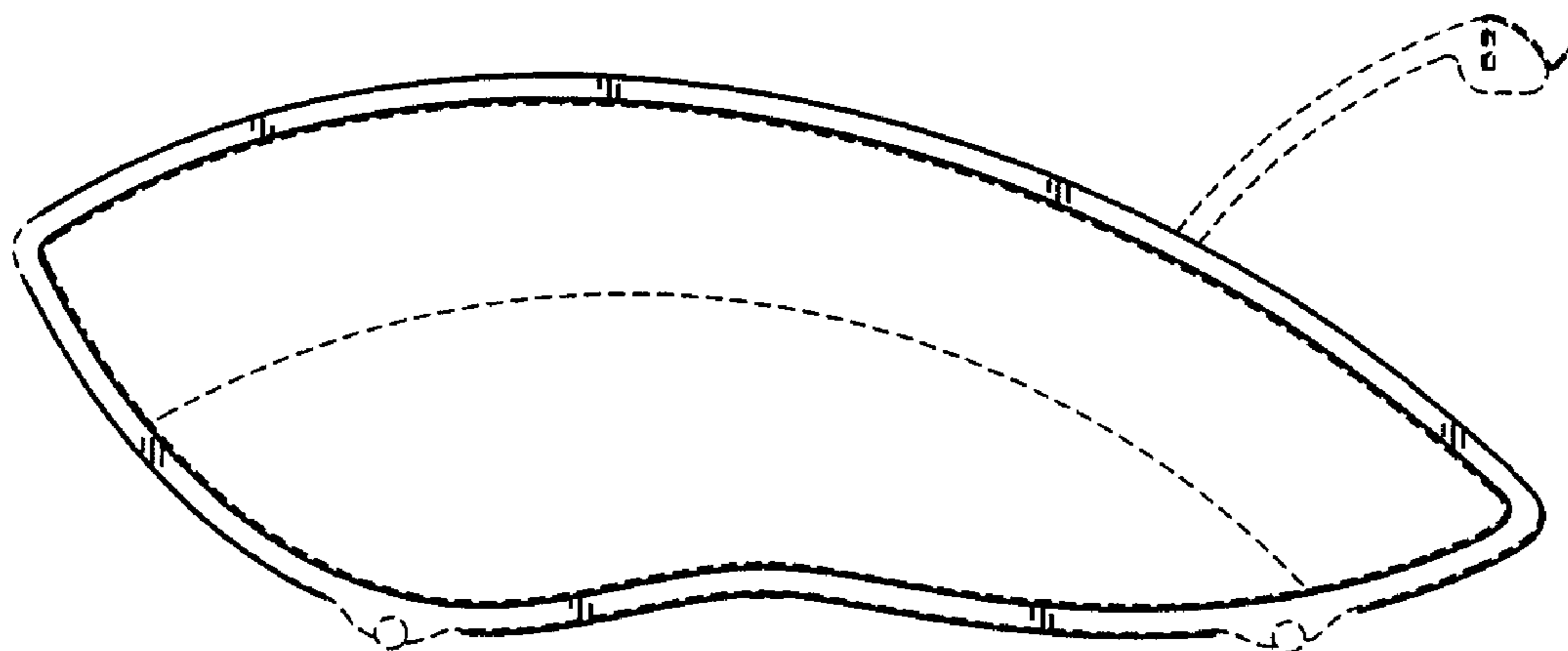


FIG. 3

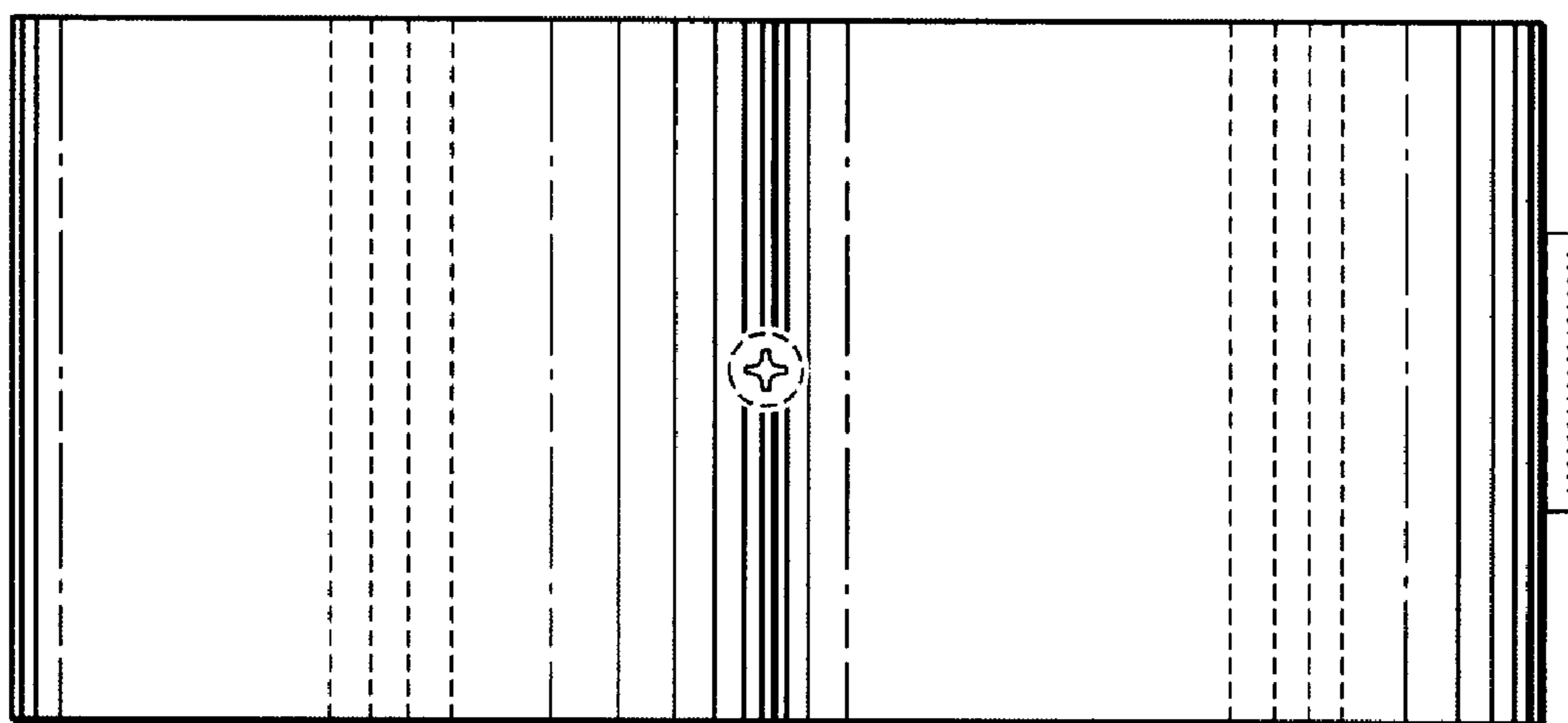


FIG. 4

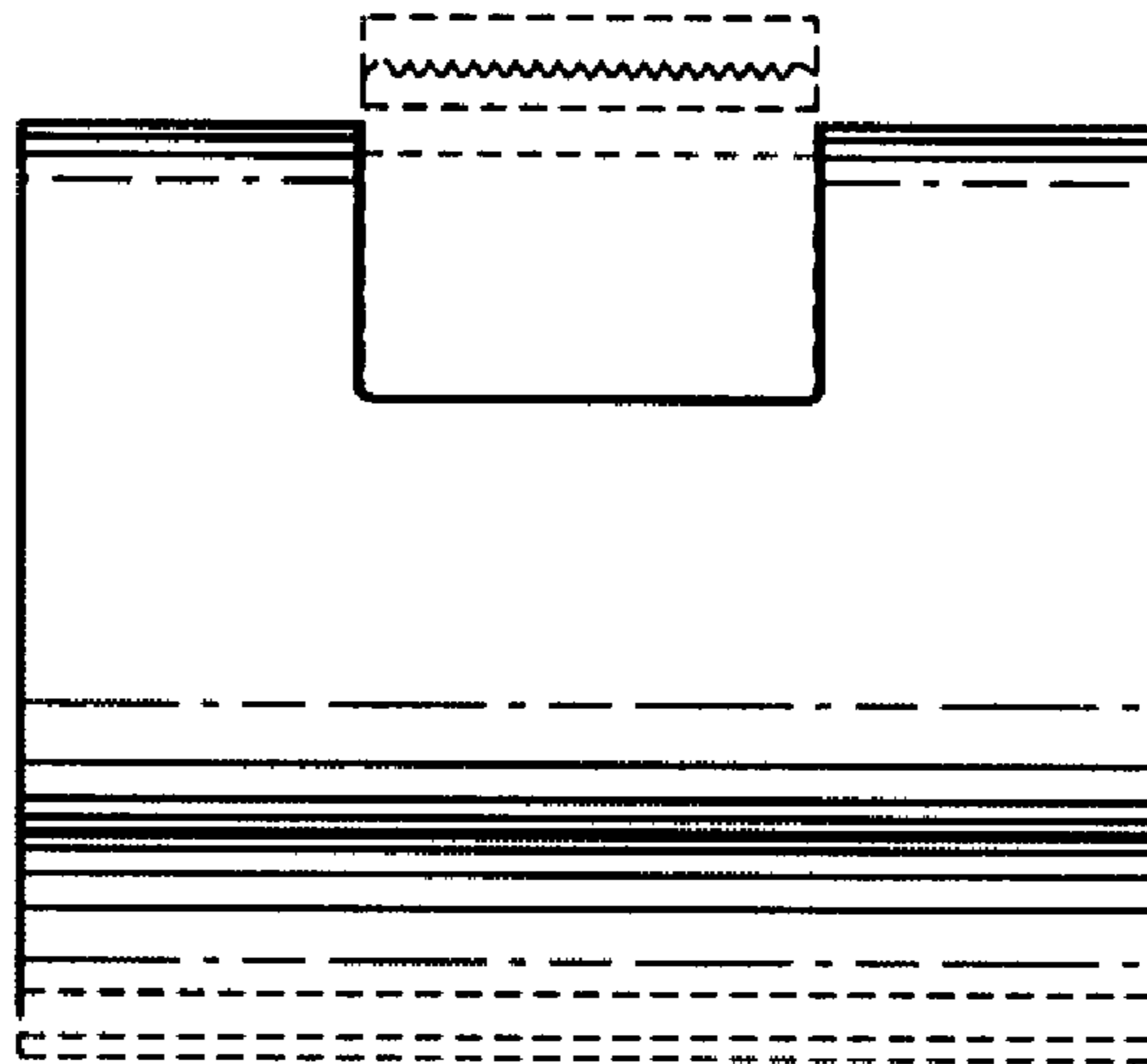


FIG. 5

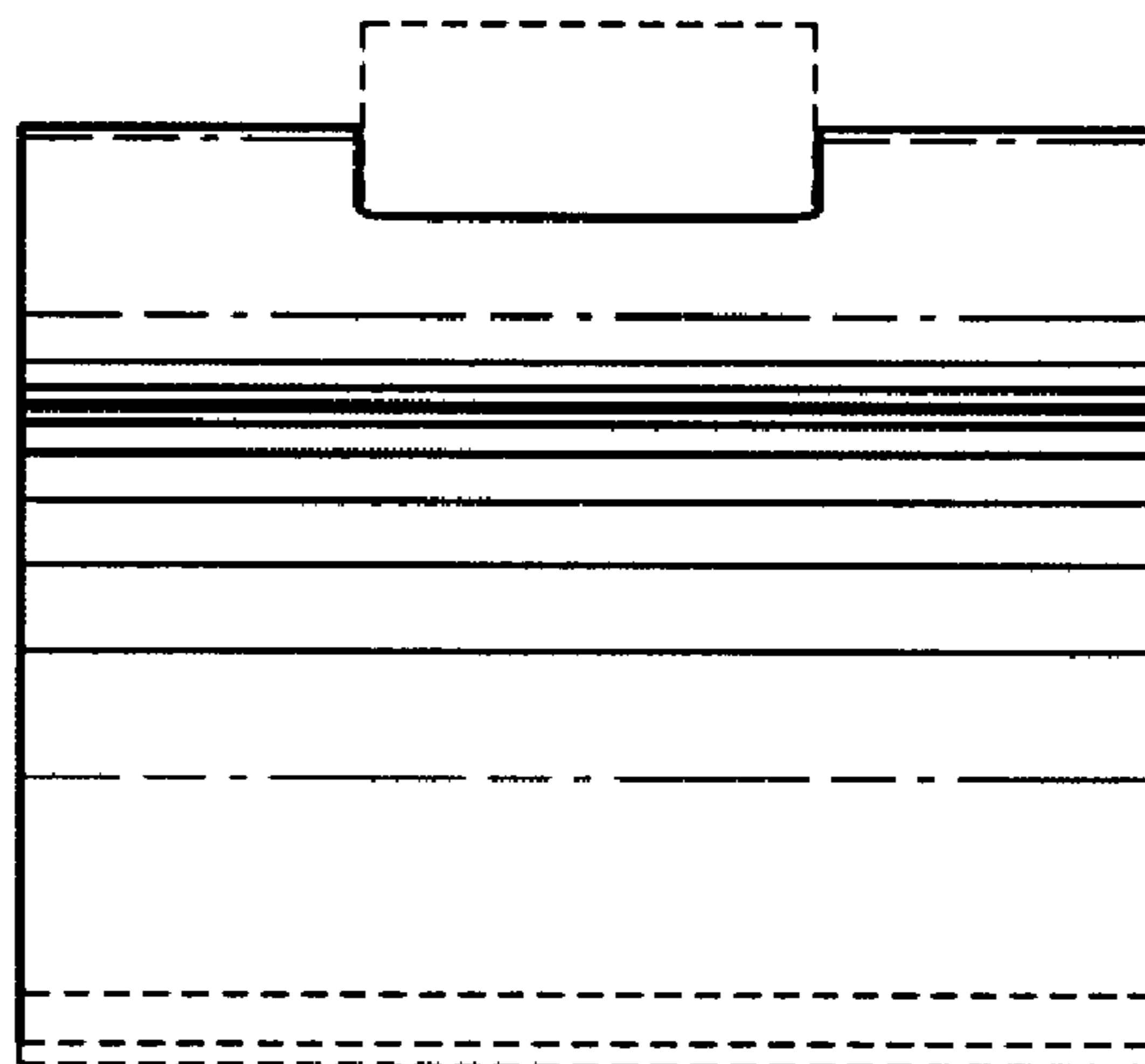


FIG. 6