



US00D529551S

(12) **United States Design Patent Rule**

(10) **Patent No.:** **US D529,551 S**

(45) **Date of Patent:** **\*\* Oct. 3, 2006**

(54) **COUNTING DEVICE**

(76) **Inventor:** **Scott Rule**, 1380 Langford Ct., Wheaton, IL (US) 60187

(\*\*) **Term:** **14 Years**

(21) **Appl. No.:** **29/253,953**

(22) **Filed:** **Feb. 15, 2006**

(51) **LOC (8) Cl.** ..... **19-07**

(52) **U.S. Cl.** ..... **D19/62**

(58) **Field of Classification Search** ..... D19/59-64; D10/46.1; D18/6; D21/385; 116/222-225; 235/1 B, 123; 434/189, 203, 205  
See application file for complete search history.

(56) **References Cited**

**U.S. PATENT DOCUMENTS**

447,454 A \* 8/1891 Velasco ..... 235/123  
1,028,227 A \* 6/1912 Bennet ..... 434/203

1,099,009 A \* 6/1914 Kruger ..... 434/203  
2,655,737 A \* 10/1953 Don Dero ..... 434/203  
D248,332 S \* 6/1978 Bailey et al. .... D10/46.1  
6,099,377 A \* 8/2000 Pridemore ..... 434/203

\* cited by examiner

*Primary Examiner*—Robert A Delehanty

*Assistant Examiner*—Mark Cavanna

(74) *Attorney, Agent, or Firm*—Pauley Petersen & Erickson

(57) **CLAIM**

The ornamental design for a counting device, as shown.

**DESCRIPTION**

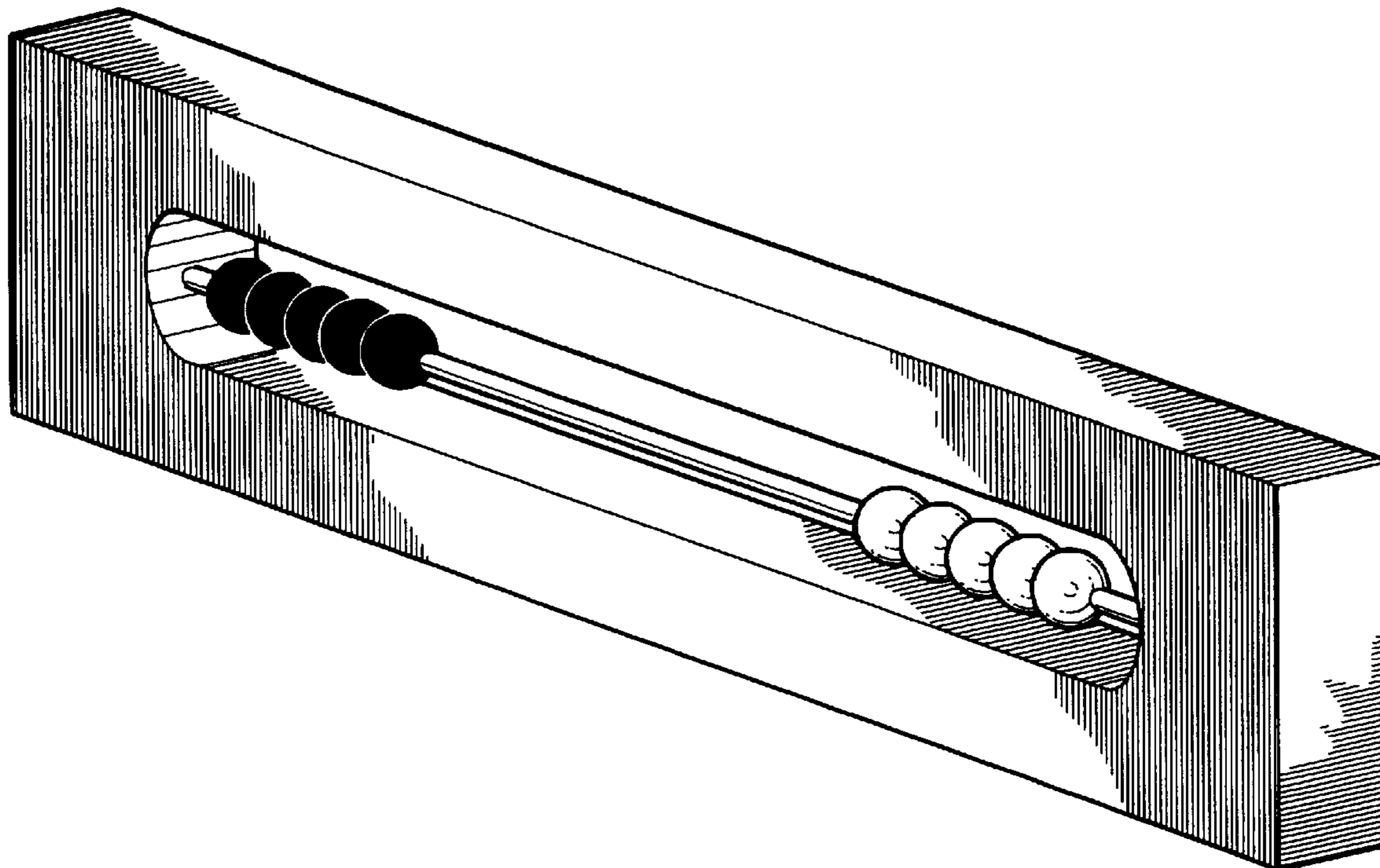
FIG. 1 is a front perspective view of a counting device showing my new design;

FIG. 2 is a front view thereof;

FIG. 3 is a side view thereof; and,

FIG. 4 is a top view thereof.

**1 Claim, 2 Drawing Sheets**



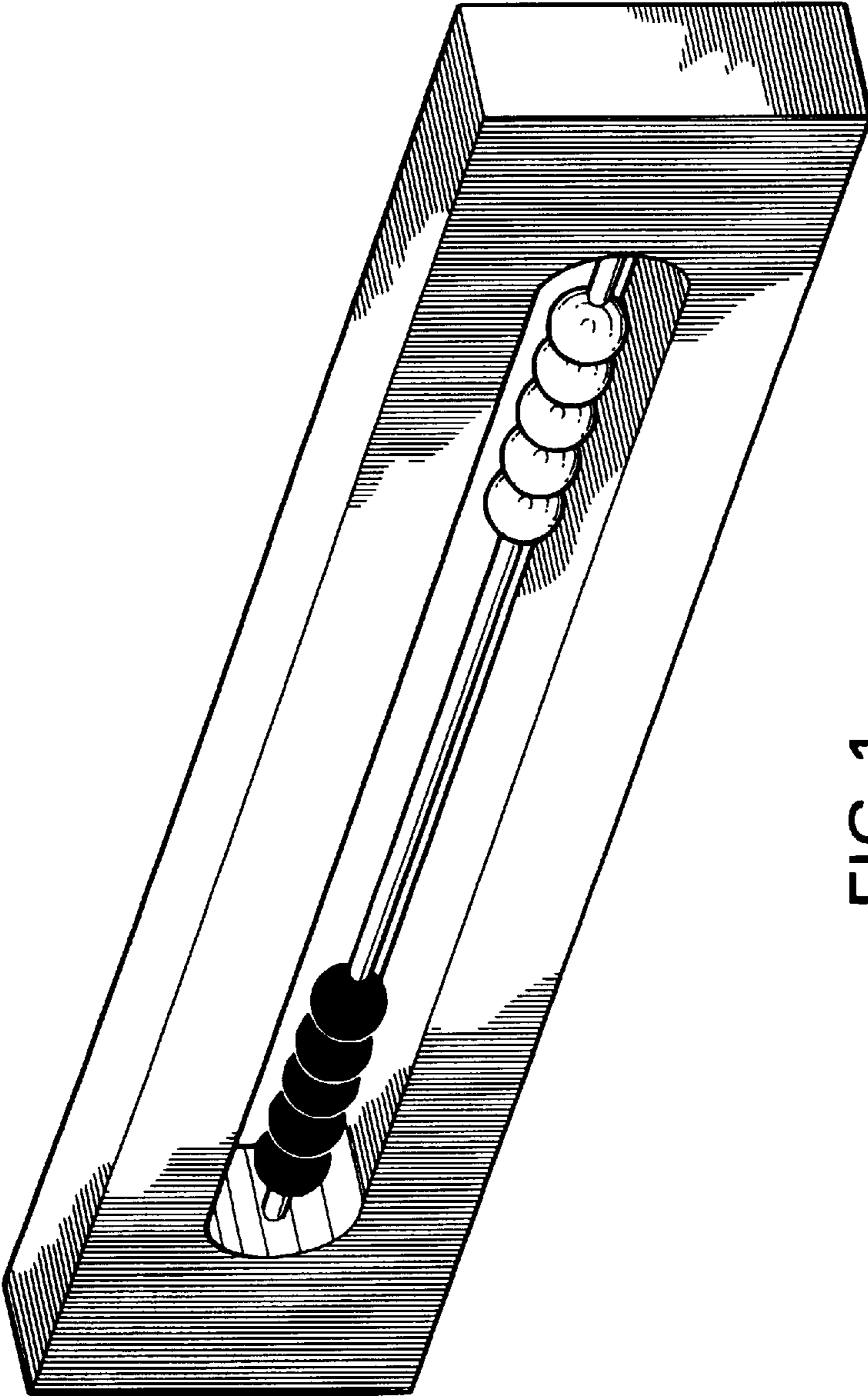


FIG. 1

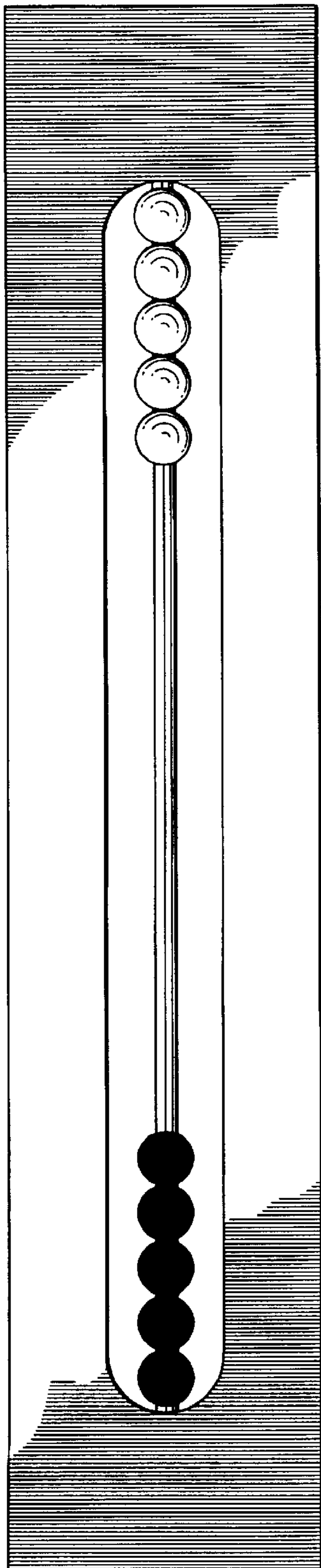


FIG. 2



FIG. 3

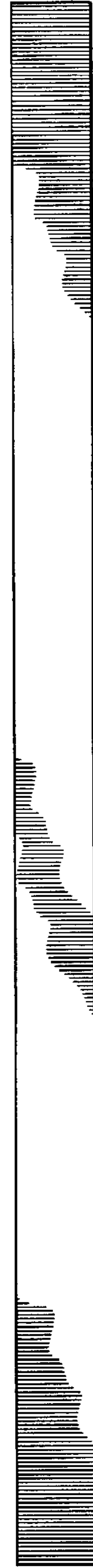


FIG. 4