



US00D529548S

(12) **United States Design Patent**
Kaneda

(10) **Patent No.:** **US D529,548 S**

(45) **Date of Patent:** **** Oct. 3, 2006**

(54) **RING BINDER**

JP 2001-010273 1/2001

(76) Inventor: **Kokki Kaneda**, 915, Chou 2-Chome,
Ota-ku, Tokyo (JP)

* cited by examiner

(**) Term: **14 Years**

Primary Examiner—Elizabeth A. Albert
(74) *Attorney, Agent, or Firm*—Drinker Biddle & Reath
LLP; Daniel A. Monaco

(21) Appl. No.: **29/217,497**

(57) **CLAIM**

(22) Filed: **Nov. 18, 2004**

The ornamental design for a “ring binder,” as shown and described.

(51) **LOC (8) Cl.** **19-04**

(52) **U.S. Cl.** **D19/32**

(58) **Field of Classification Search** D19/26,
D19/27, 28, 29, 30, 31, 32, 33; 281/2, 3.1,
281/15.1, 19.1, 21.1, 22, 29, 31, 38, 27.1,
281/27.2, 27.3; 402/4, 31, 34, 35, 36, 37,
402/38, 39, 40, 73–75, 80 R

See application file for complete search history.

DESCRIPTION

FIG. 1 is a top plan view of the ring binder showing my new design;
FIG. 2 is a front elevation view thereof;
FIG. 3 is a rear elevation view thereof;
FIG. 4 is a bottom plan view thereof;
FIG. 5 is a front elevation view thereof, with the slide plate pulled out and the rings opened;
FIG. 6 is an enlarged right side view thereof;
FIG. 7 is an enlarged left side view thereof;
FIG. 8 is an enlarged right side view thereof, with the rings opened;
FIG. 9 is an enlarged cross section view taken along the line 9—9 in FIG. 2;
FIG. 10 is an enlarged cross section view taken along the line 10—10 in FIG. 2;
FIG. 11 is an enlarged cross section view taken along the line 11—11 in FIG. 2; and,
FIG. 12 is an enlarged cross section view taken along the line 12—12 in FIG. 2.

(56) **References Cited**

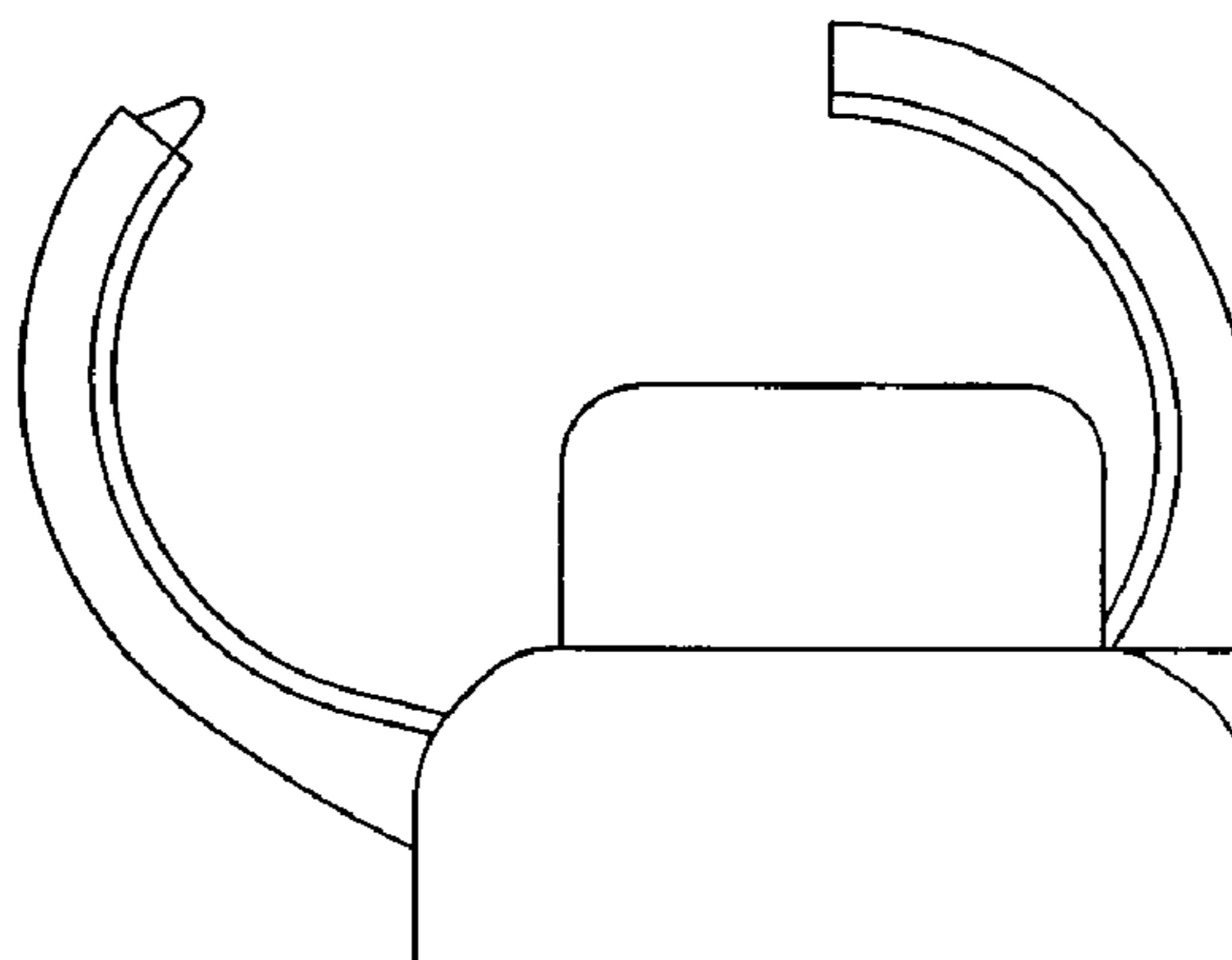
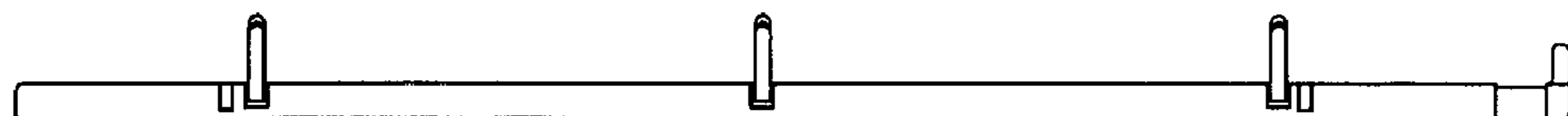
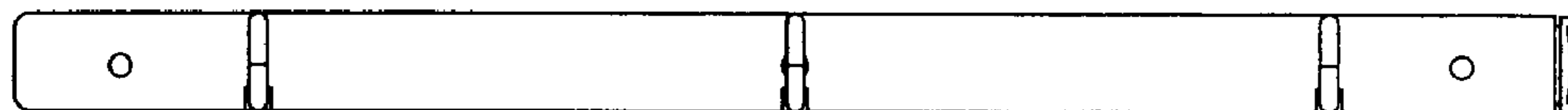
U.S. PATENT DOCUMENTS

3,827,111	A	*	8/1974	O’Connell	402/36
5,445,468	A	*	8/1995	Pacione	402/75
D389,182	S	*	1/1998	Law	D19/32
D450,085	S	*	11/2001	Kaneda	D19/32
D451,954	S	*	12/2001	Kaneda	D19/27
6,916,134	B1	*	7/2005	Wong	402/26
2004/0234328	A1	*	11/2004	Wong	402/19
2006/0056906	A1	*	3/2006	Horn	402/31

FOREIGN PATENT DOCUMENTS

JP	55-81076	6/1980
JP	55-94868	7/1980

1 Claim, 6 Drawing Sheets



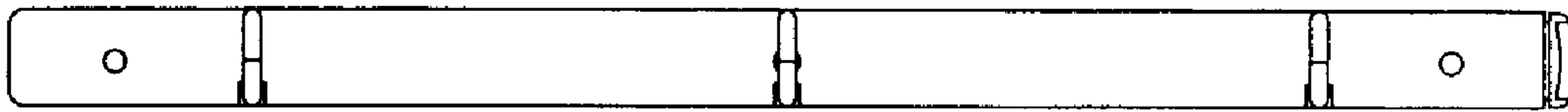


FIG. 1

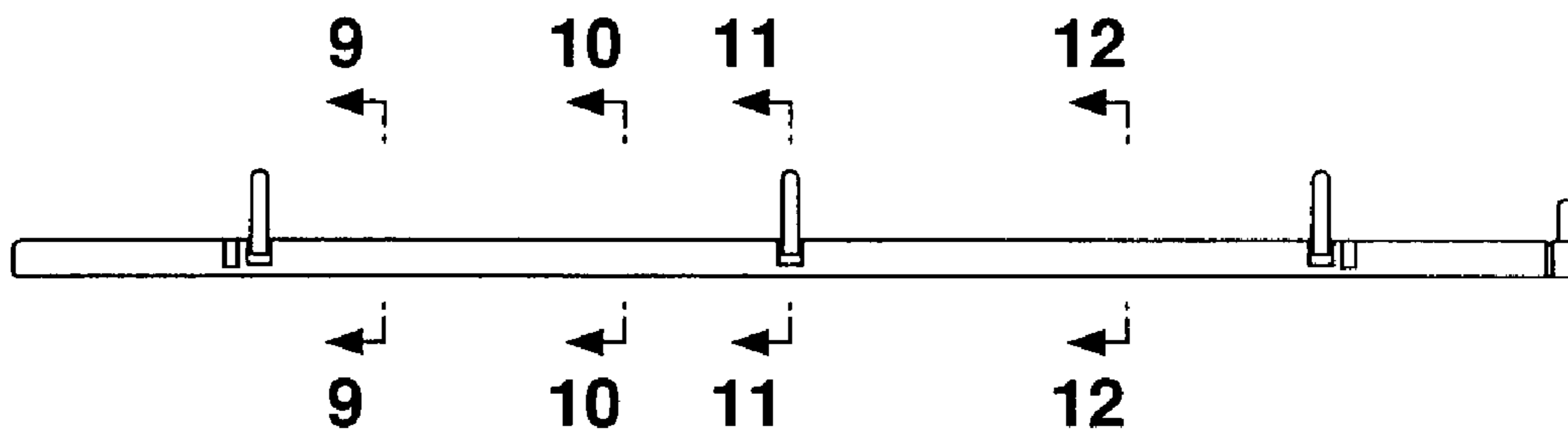


FIG. 2

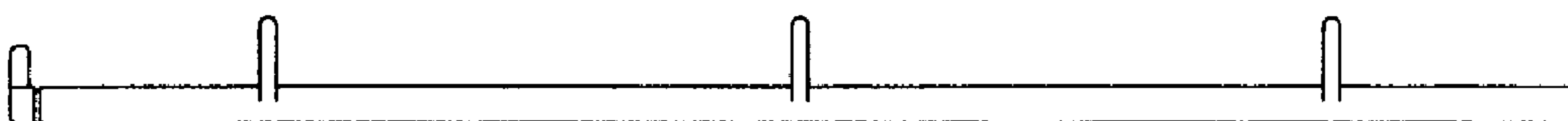


FIG. 3



FIG. 4

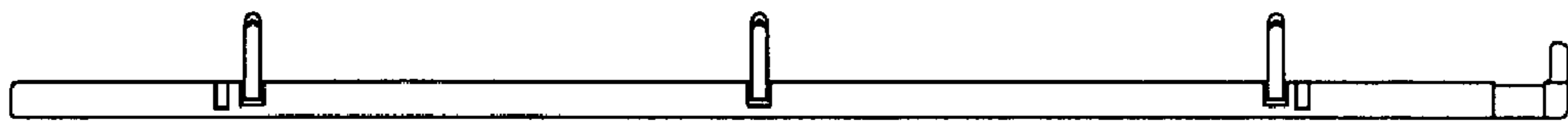


FIG. 5

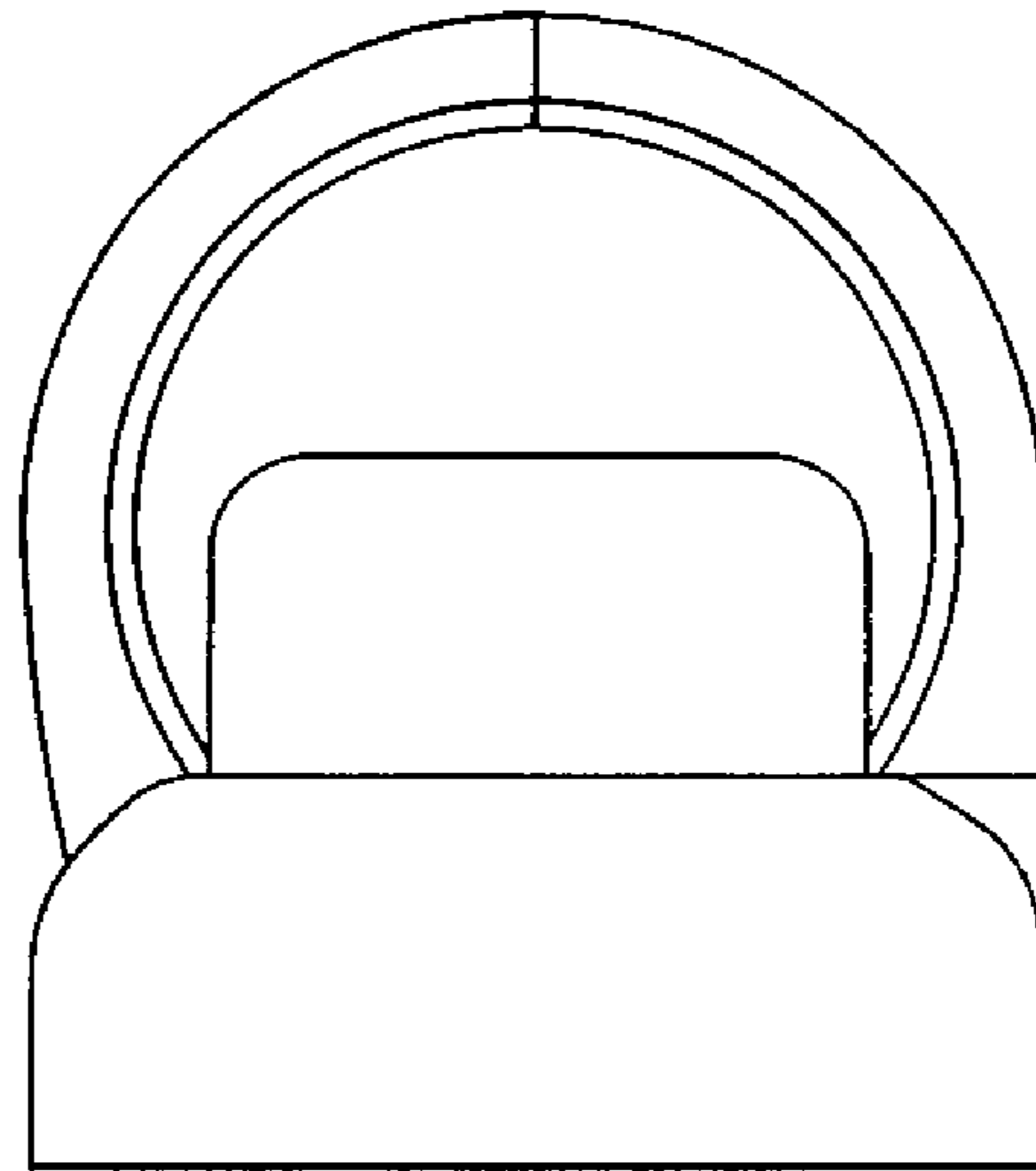


FIG. 6

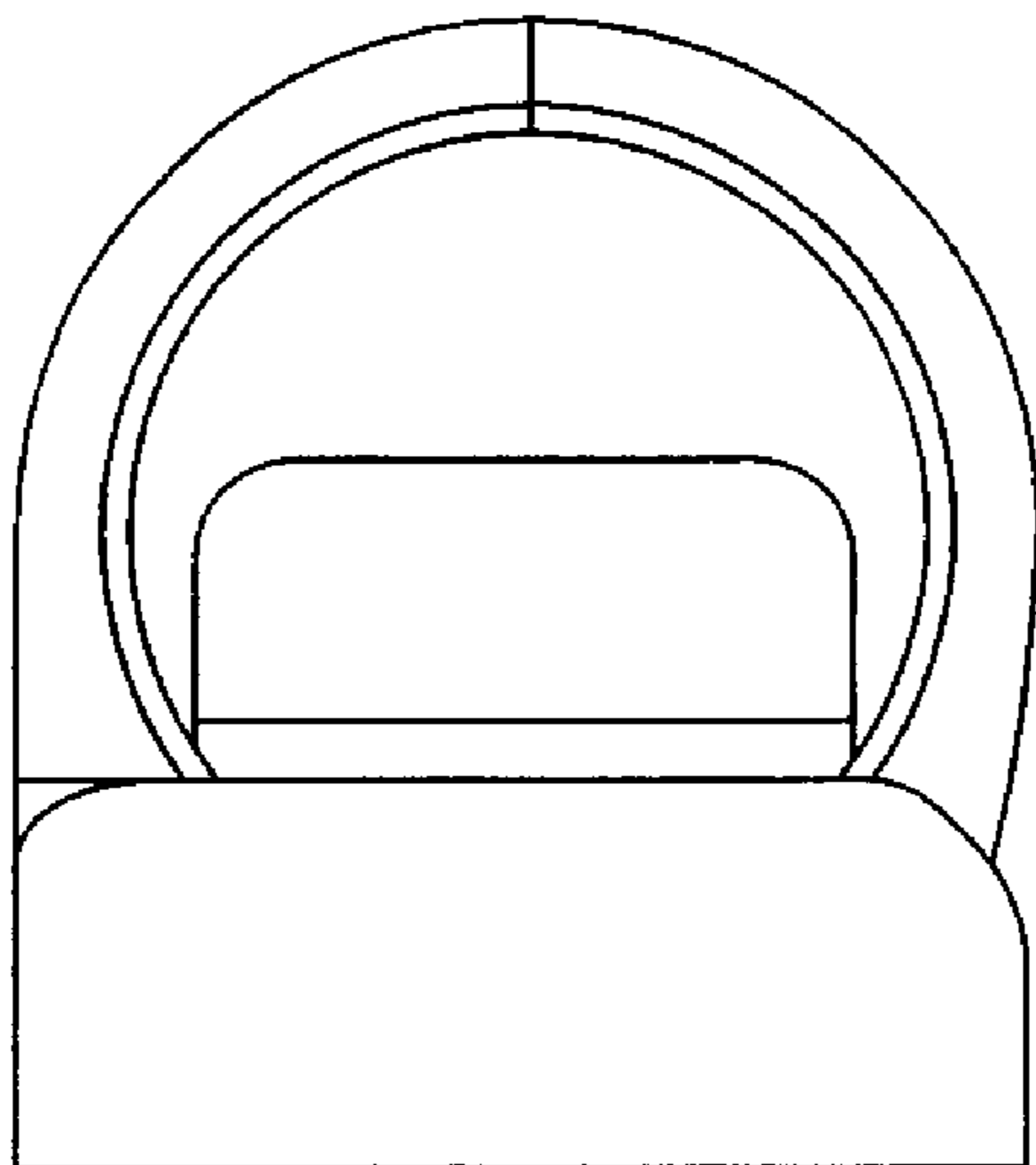


FIG. 7

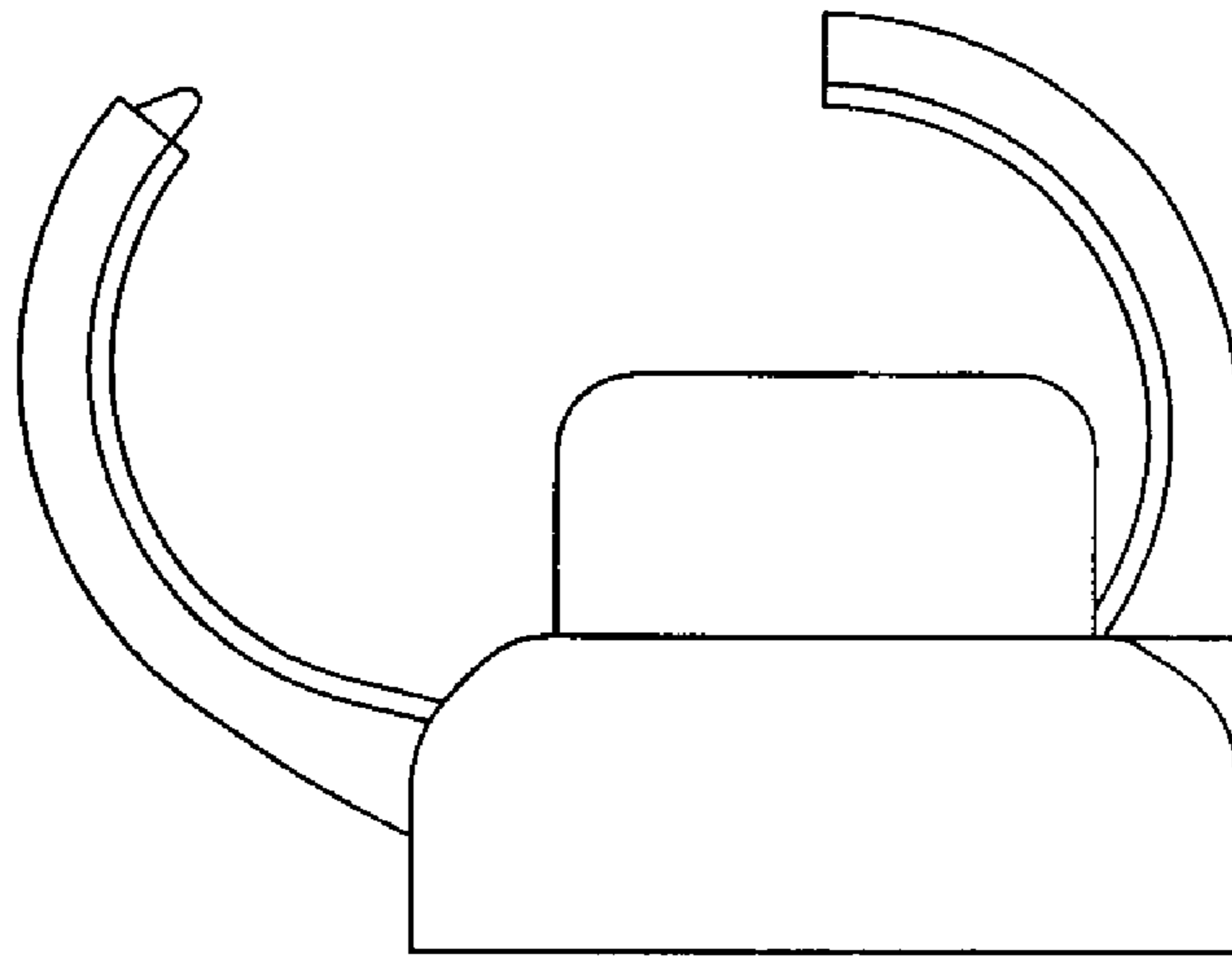


FIG. 8

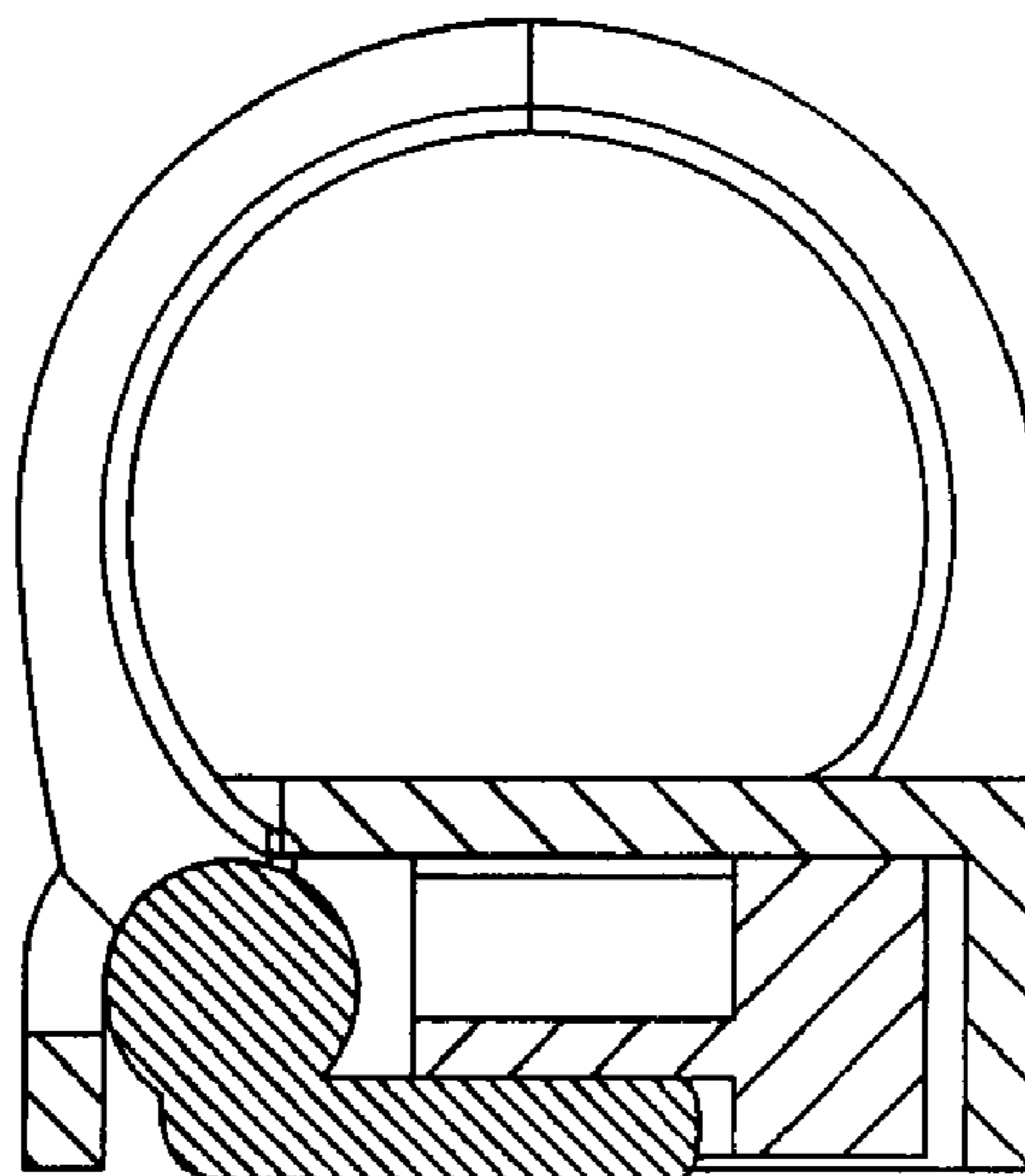


FIG. 9

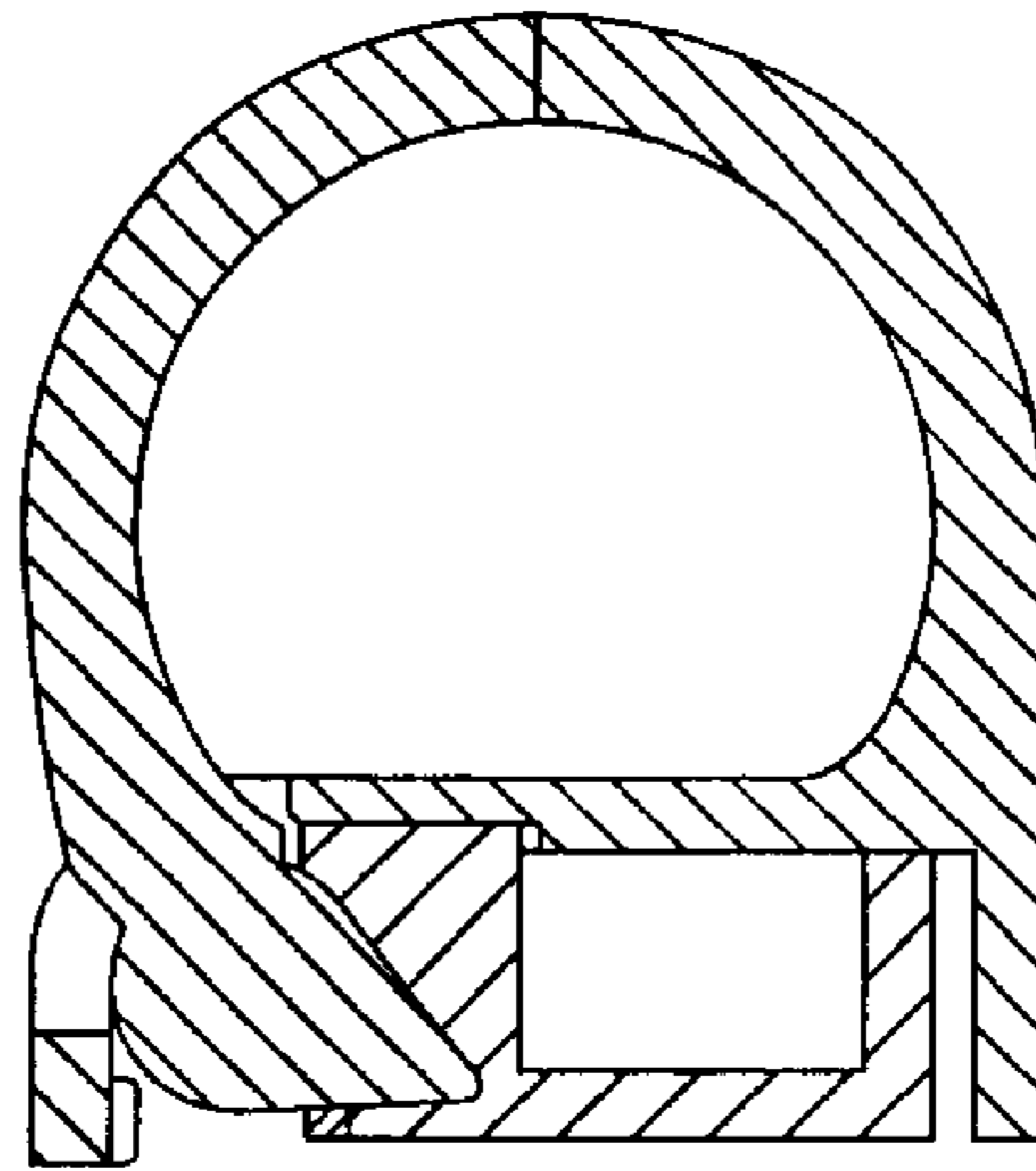


FIG. 10

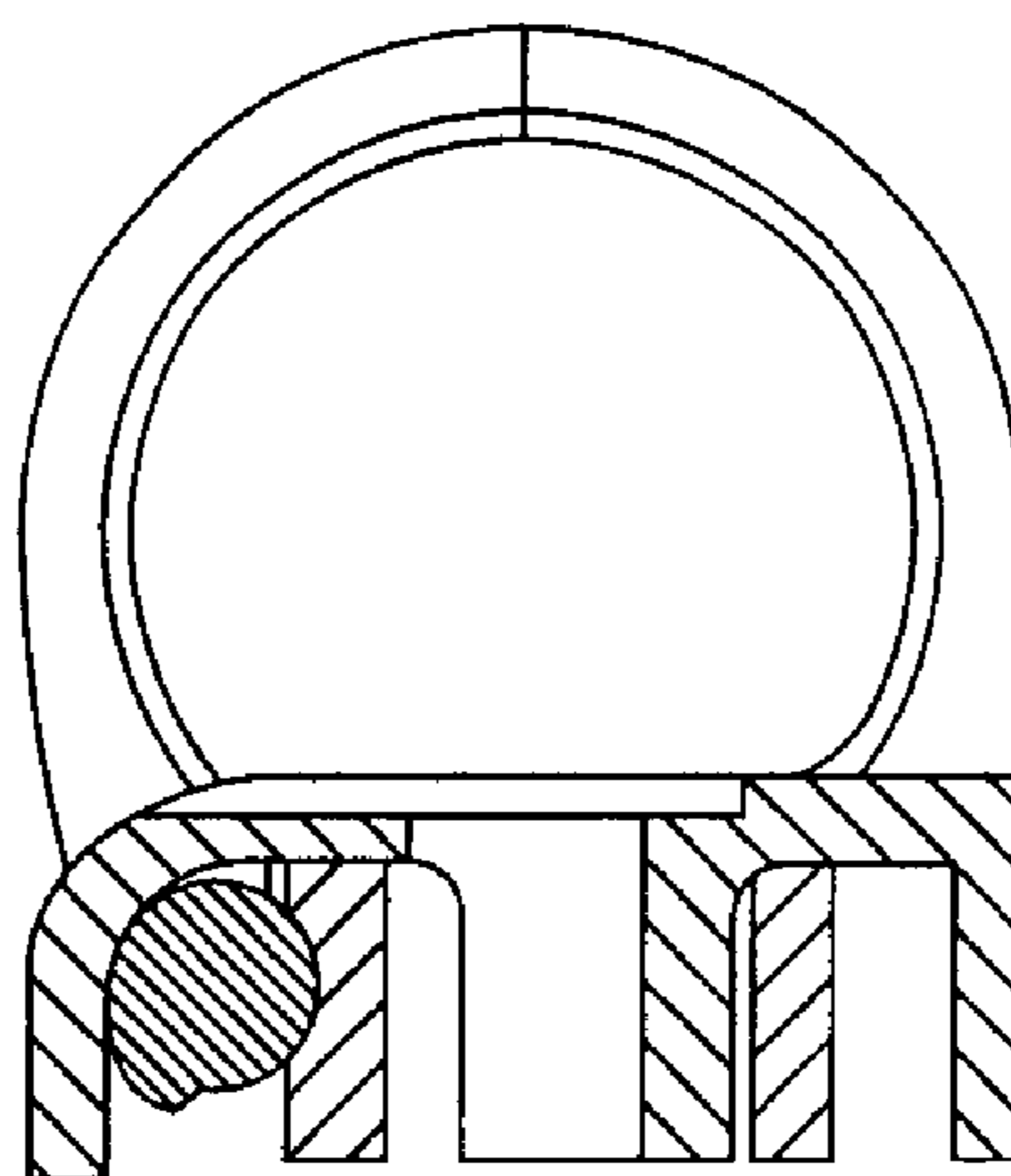


FIG. 11

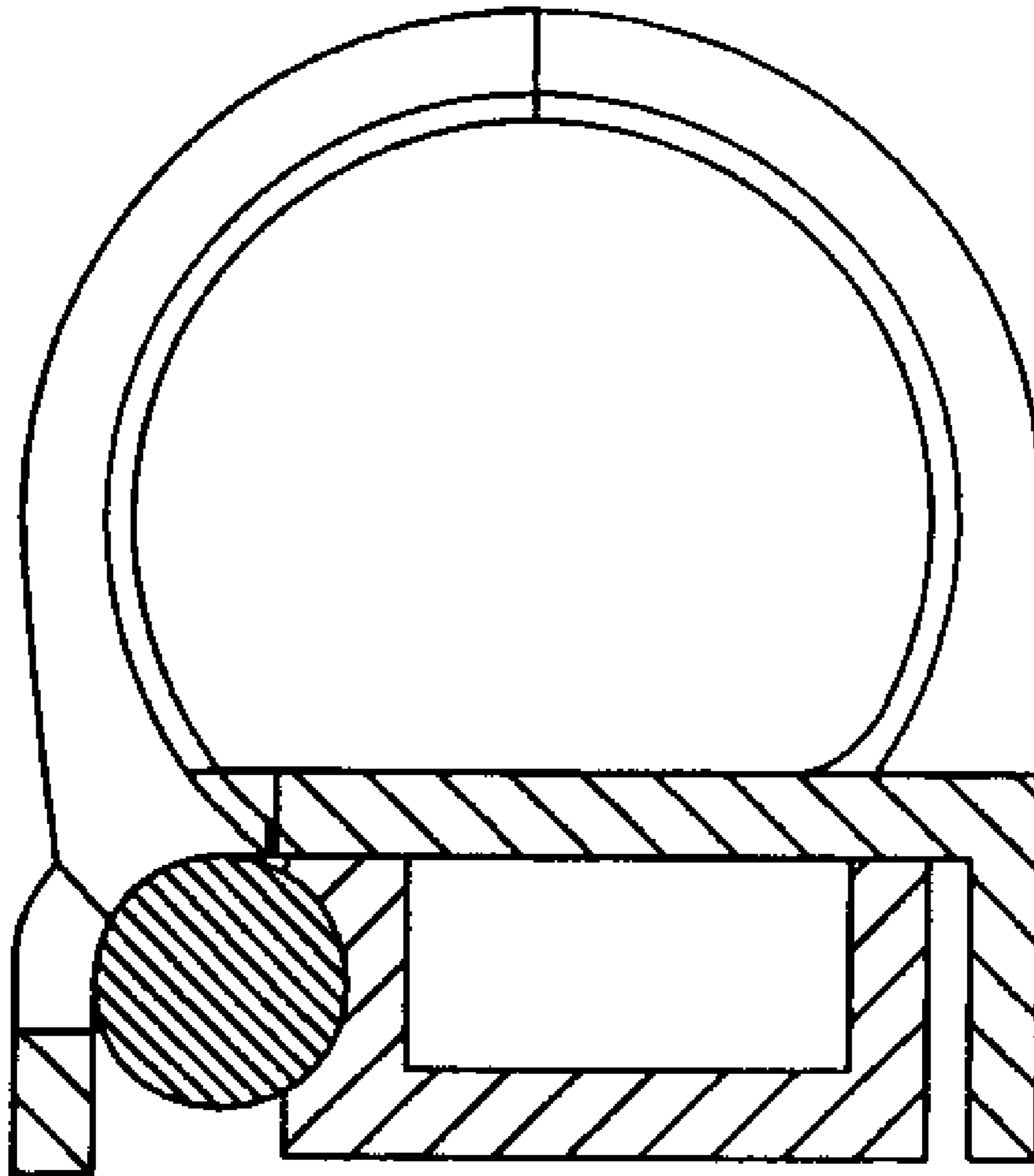


FIG. 12