

US00D529547S

(12) **United States Design Patent**
Sugimoto et al.

(10) **Patent No.:** **US D529,547 S**
(45) **Date of Patent:** **** Oct. 3, 2006**

(54) **TAPE CARTRIDGE RECEIVING PORTION
FOR A TAPE PRINTING MACHINE**

(75) Inventors: **Kiyoshi Sugimoto**, Kuwana (JP);
Shigeru Matsumoto, Toyokawa (JP)

(73) Assignee: **Brother Industries, Ltd.**, Nagoya (JP)

(**) Term: **14 Years**

(21) Appl. No.: **29/208,182**

(22) Filed: **Jun. 25, 2004**

(30) **Foreign Application Priority Data**

Dec. 25, 2003 (JP) 2003-038403

(51) **LOC (8) Cl.** **18-02**

(52) **U.S. Cl.** **D18/56**

(58) **Field of Classification Search** D18/50,
D18/54, 54.1, 56-59; 347/171, 108, 170,
347/220, 263; 400/625, 642, 680, 120.6;
D6/635, 499; D10/75-77, 81; D16/221-234;
D14/474, 168; D8/400, 366, 384, 499
See application file for complete search history.

(56) **References Cited**

U.S. PATENT DOCUMENTS

1,959,745 A * 5/1934 Stout D8/363

3,719,143 A * 3/1973 Labore 101/335
D338,233 S * 8/1993 Boleen et al. D18/56
D339,153 S * 9/1993 Troy et al. D18/44
6,991,331 B1 * 1/2006 Kagami et al. 347/104

* cited by examiner

Primary Examiner—Charles A. Rademaker

(74) *Attorney, Agent, or Firm*—Oliff & Berridge, PLC

(57) **CLAIM**

The ornamental design for a tape cartridge receiving portion for a tape printing machine, as shown and described.

DESCRIPTION

FIG. 1 is a top perspective view of a tape cartridge receiving portion for a tape printing machine showing our new design; FIG. 2 is a partial top perspective view thereof shown on an enlarged scale;

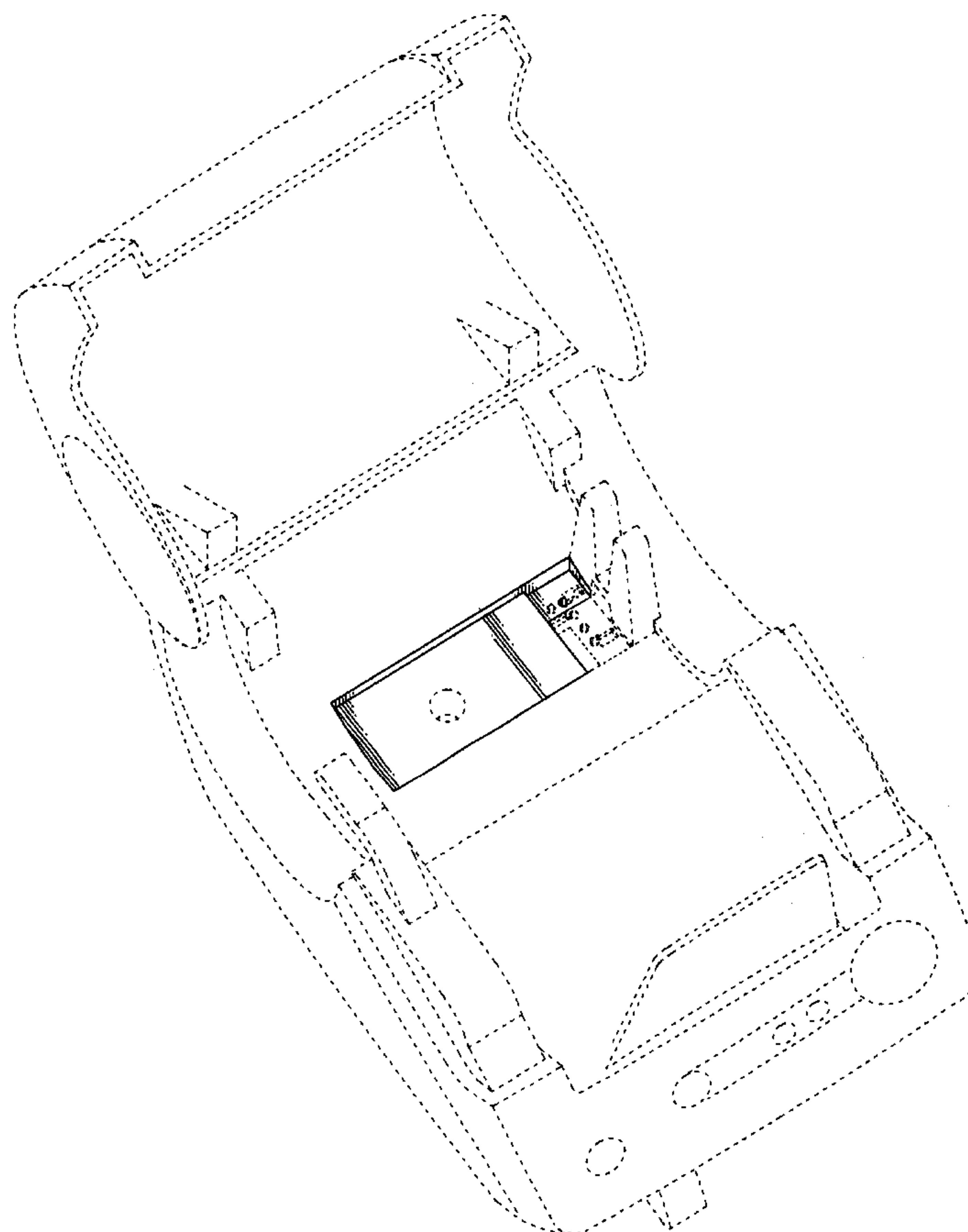
FIG. 3 is a top plan view thereof;

FIG. 4 is a top perspective view of the sensor member shown on an enlarged scale and partially in fragment; and,

FIG. 5 is a cross sectional view thereof taken along lines 5—5 in FIG. 3.

The broken line disclosure is for illustrative purposes only and forms no part of the claimed design.

1 Claim, 4 Drawing Sheets



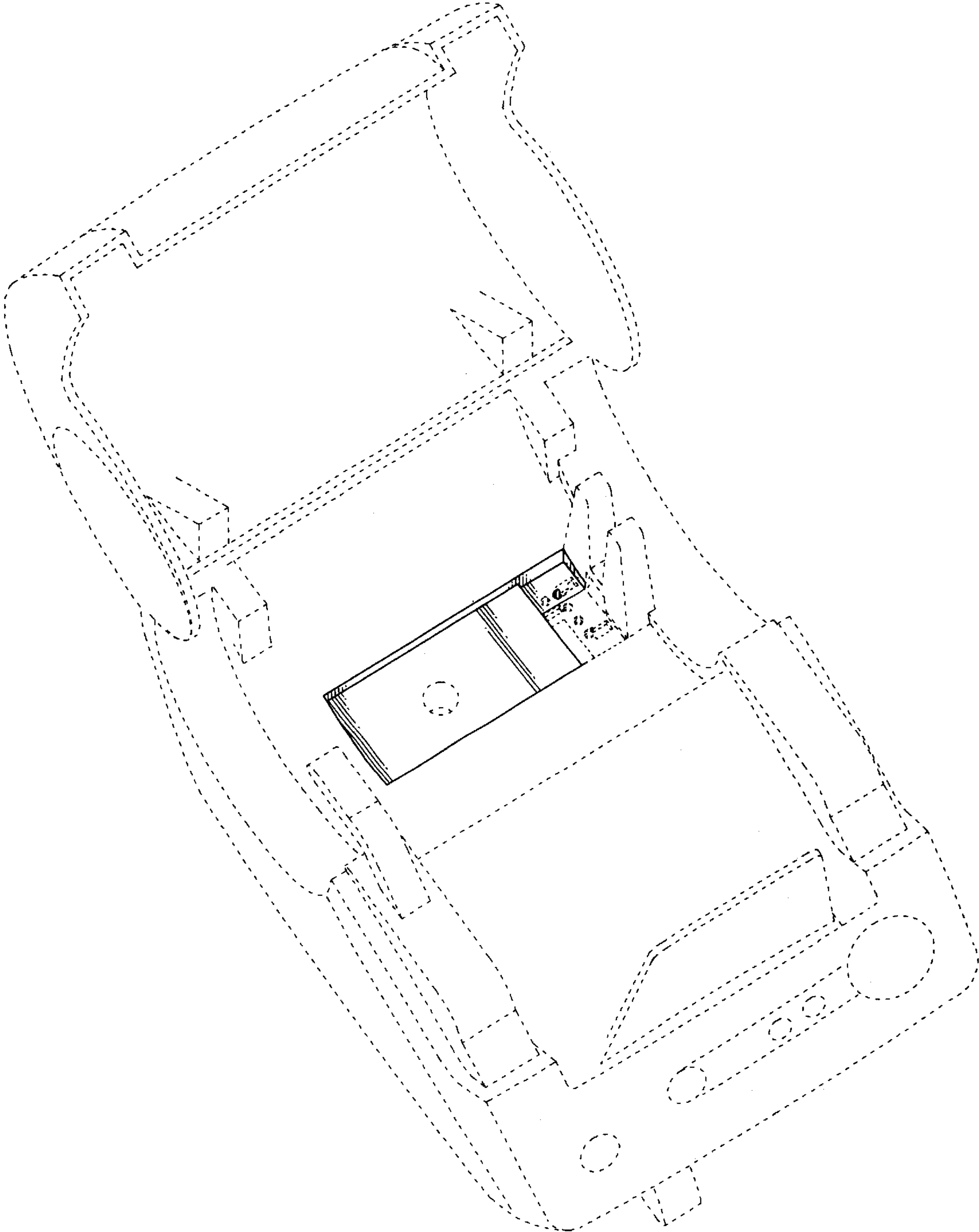


Fig. 1

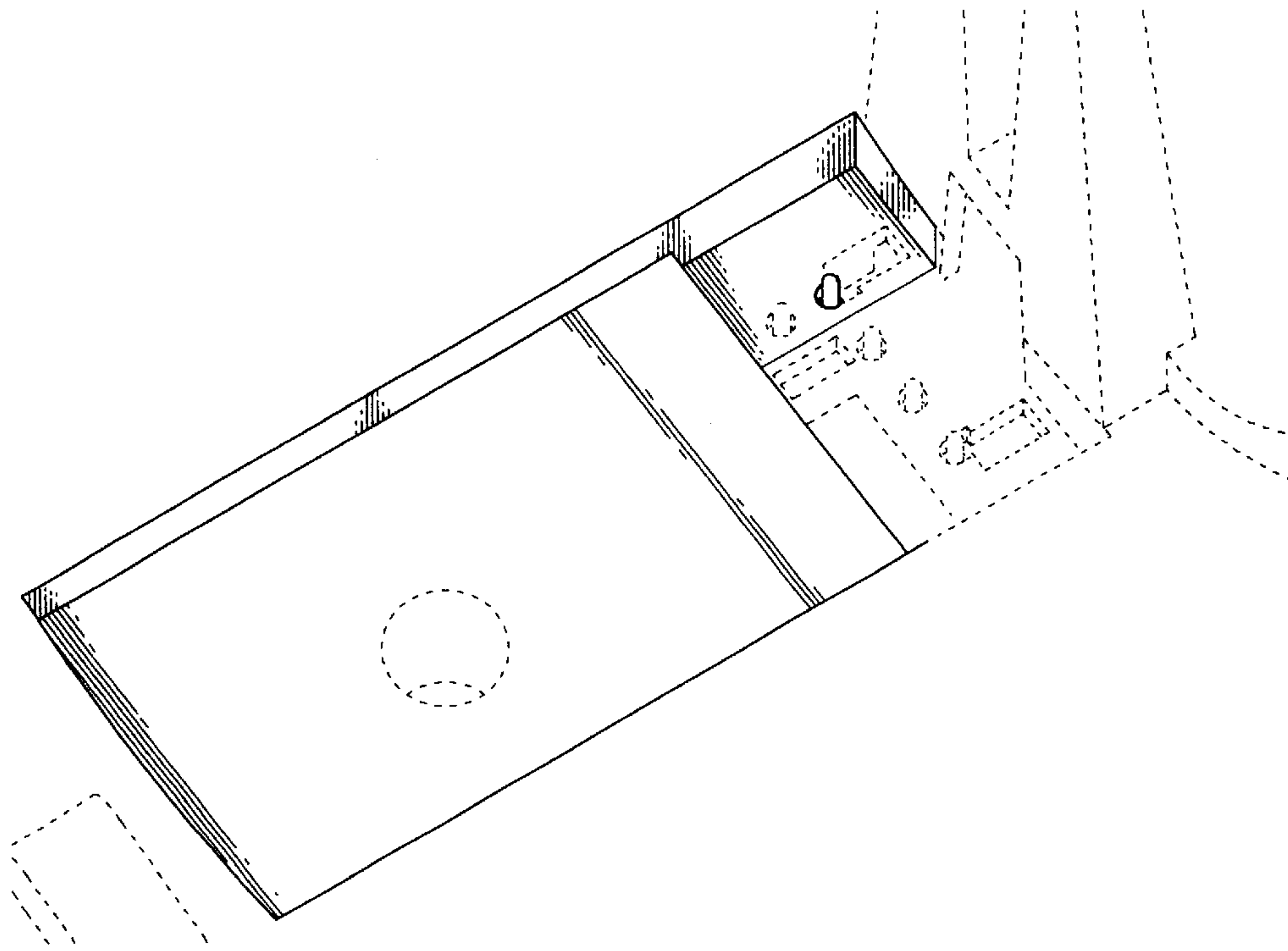


Fig. 2

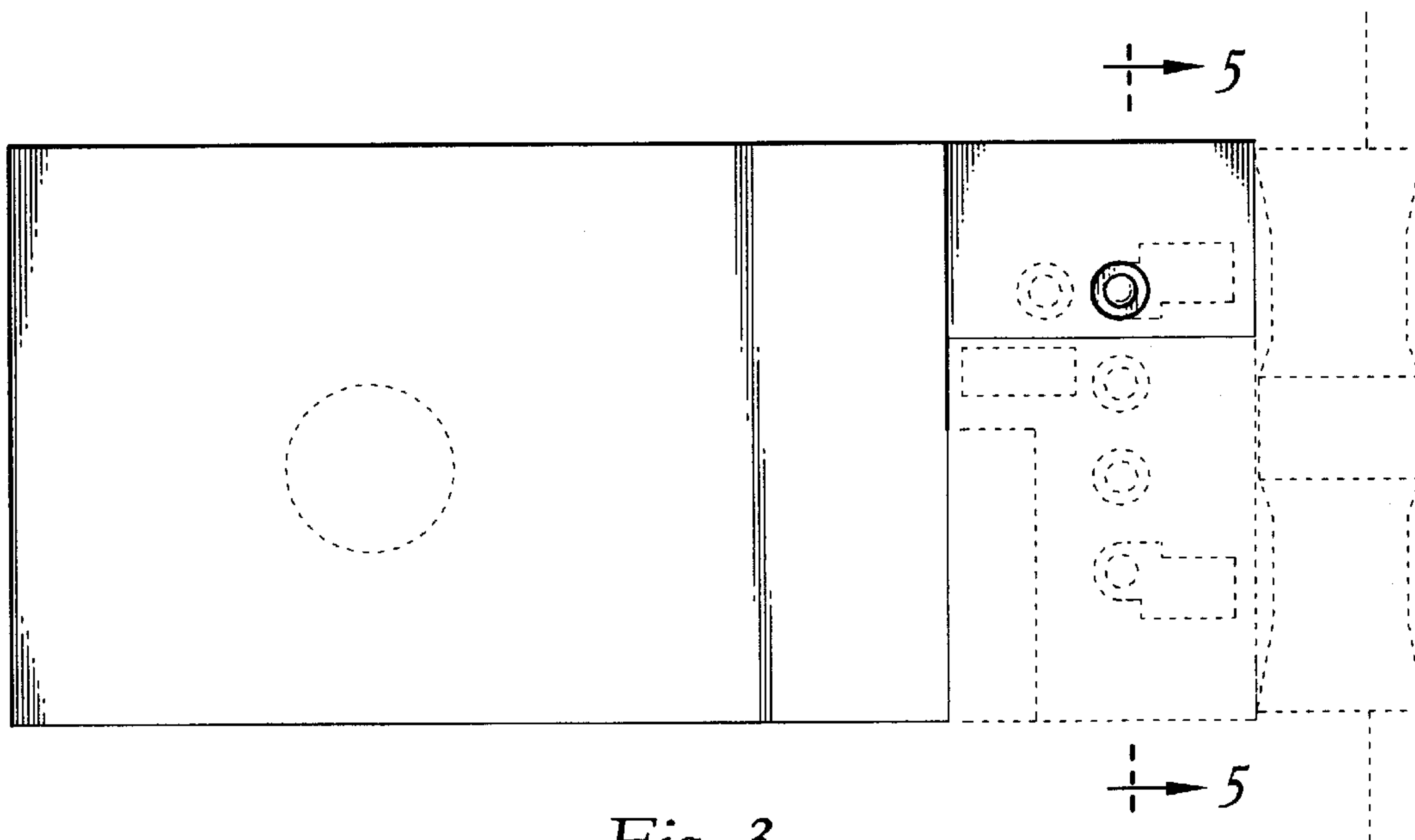


Fig. 3

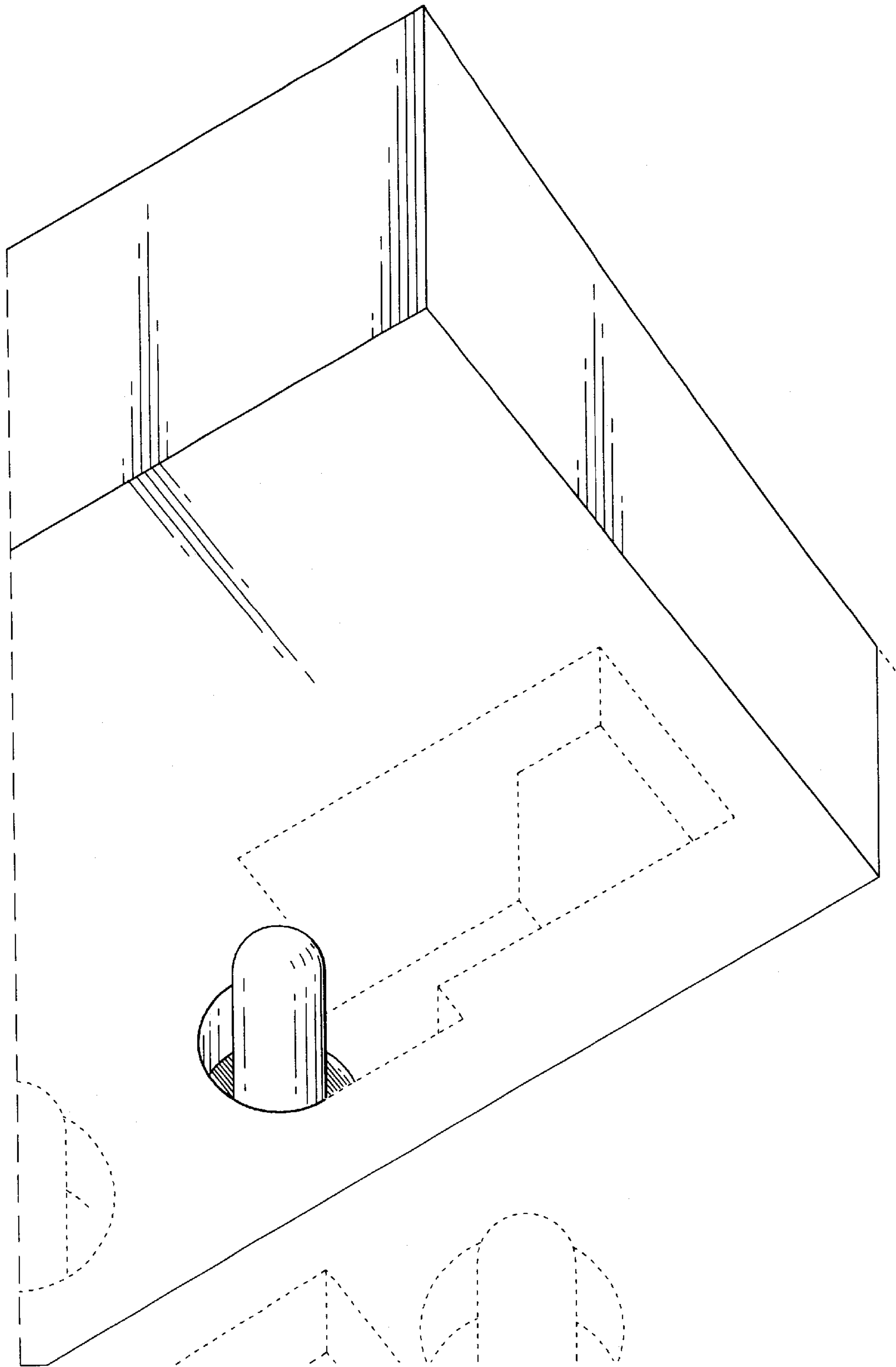


Fig. 4

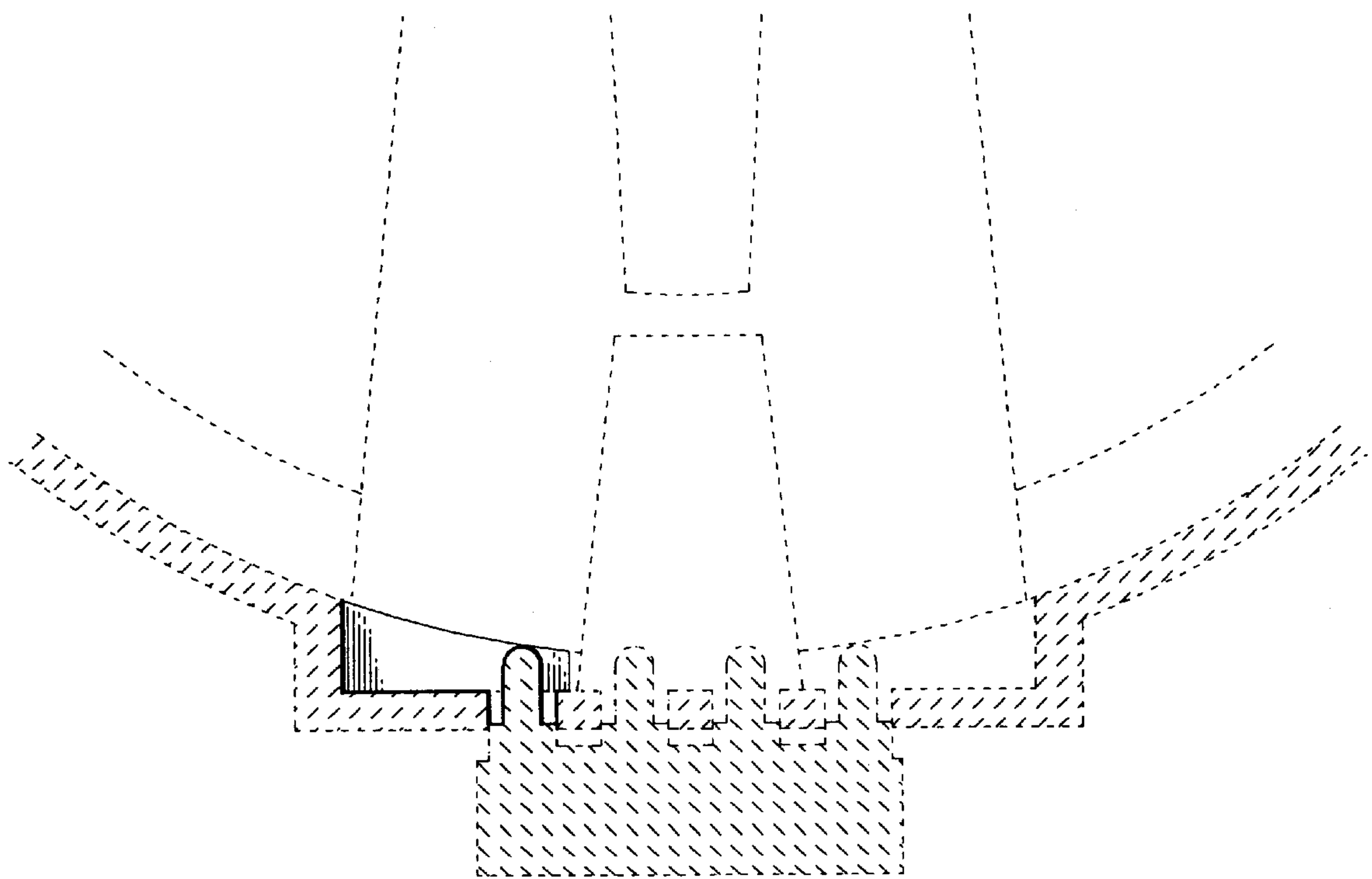


Fig. 5