



US00D529545S

(12) **United States Design Patent**
Kimura et al.

(10) **Patent No.:** **US D529,545 S**

(45) **Date of Patent:** **** Oct. 3, 2006**

(54) **PRINTER**

(75) Inventors: **Seiji Kimura**, Nagano-ken (JP);
Hirokazu Yamano, Nagano-ken (JP);
Kazuyoshi Honda, Nagano-ken (JP)

(73) Assignee: **Seiko Epson Corporation**, Tokyo (JP)

(**) Term: **14 Years**

(21) Appl. No.: **29/235,497**

(22) Filed: **Aug. 3, 2005**

(30) **Foreign Application Priority Data**

Feb. 9, 2005 (JP) 2005-003375

(51) **LOC (8) Cl.** **18-02**

(52) **U.S. Cl.** **D18/53**

(58) **Field of Classification Search** D18/53,
D18/50, 51, 38, 39; D14/463, 303; 355/78;
400/613.1-613.4, 691-694, 690.1-690.4

See application file for complete search history.

(56) **References Cited**

U.S. PATENT DOCUMENTS

- D228,152 S * 8/1973 Matwey D18/39
- D390,256 S * 2/1998 Shibata D18/39
- 5,775,825 A * 7/1998 Hong et al. 400/693
- D404,418 S * 1/1999 Takeuchi D18/39
- D413,140 S * 8/1999 Ishida et al. D18/53
- D350,973 S * 2/2000 Shibata et al. D18/39
- D423,558 S * 4/2000 Takimura D18/39

- D407,740 S * 1/2001 Sasaki et al. D18/39
- D442,988 S * 5/2001 Yoshida et al. D18/53
- D443,637 S * 6/2001 Kusanagi et al. D18/53
- D445,449 S * 7/2001 Takenouchi et al. D18/53
- D447,765 S * 9/2001 Hatanaka et al. D18/39
- D450,751 S * 11/2001 Shiozaki D18/39
- D456,444 S * 4/2002 Falk et al. D18/53
- D497,942 S * 11/2004 Yoshida et al. D18/53

FOREIGN PATENT DOCUMENTS

- GB 2068304 * 3/1997
- GB 2081551 * 6/1999
- GB 2102996 * 7/2001

* cited by examiner

Primary Examiner—Charles A. Rademaker
(74) *Attorney, Agent, or Firm*—Sughrue Mion, PLLC

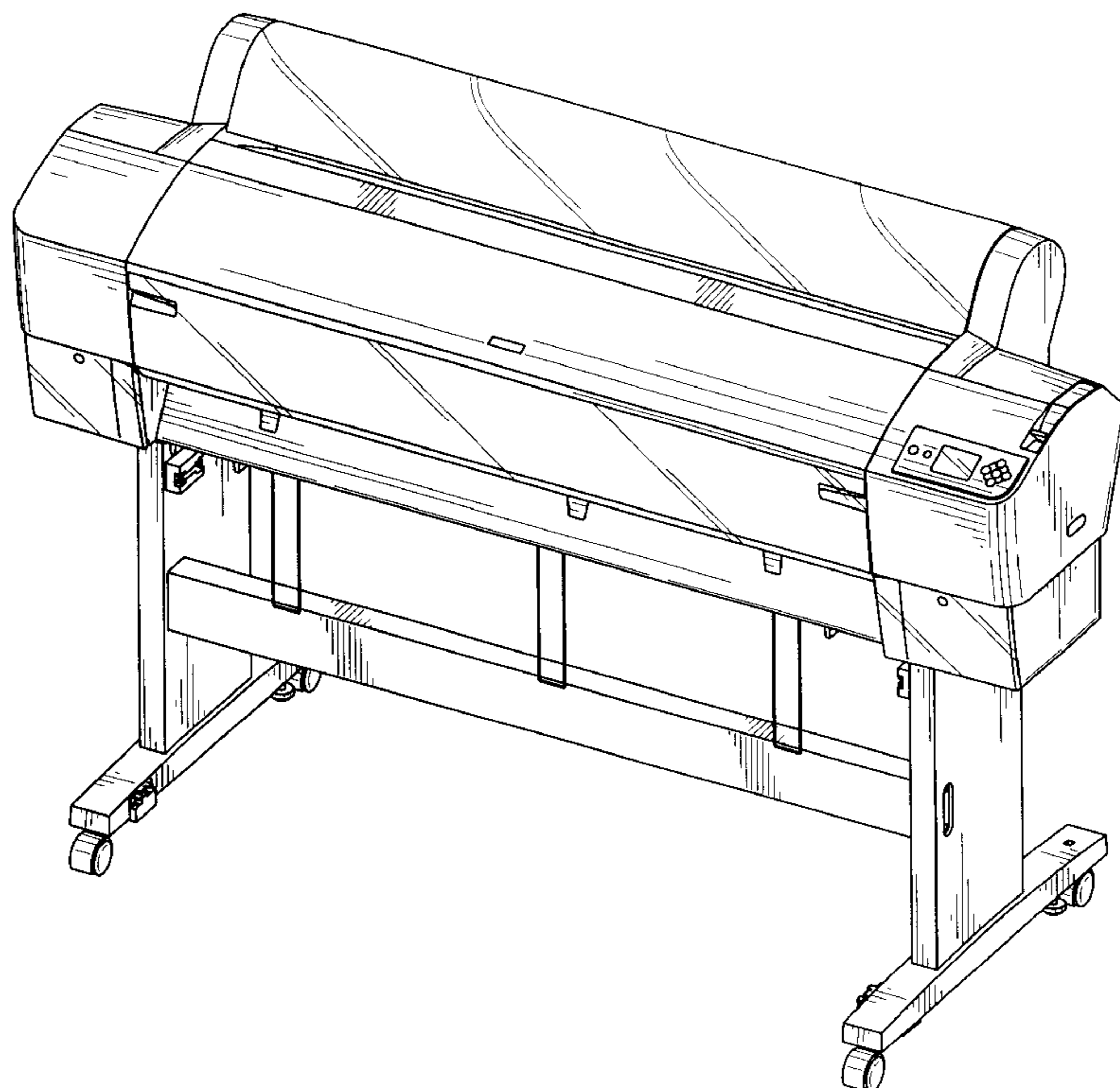
(57) **CLAIM**

The ornamental design for a printer, as shown.

DESCRIPTION

FIG. 1 is a perspective view of the top, front and right side of a printer showing our new design;
FIG. 2 is a top plan view thereof;
FIG. 3 is a front elevational view thereof;
FIG. 4 is a left side elevational view thereof;
FIG. 5 is a right side elevational view thereof;
FIG. 6 is a rear elevational view thereof; and,
FIG. 7 is a bottom plan view thereof.

1 Claim, 4 Drawing Sheets



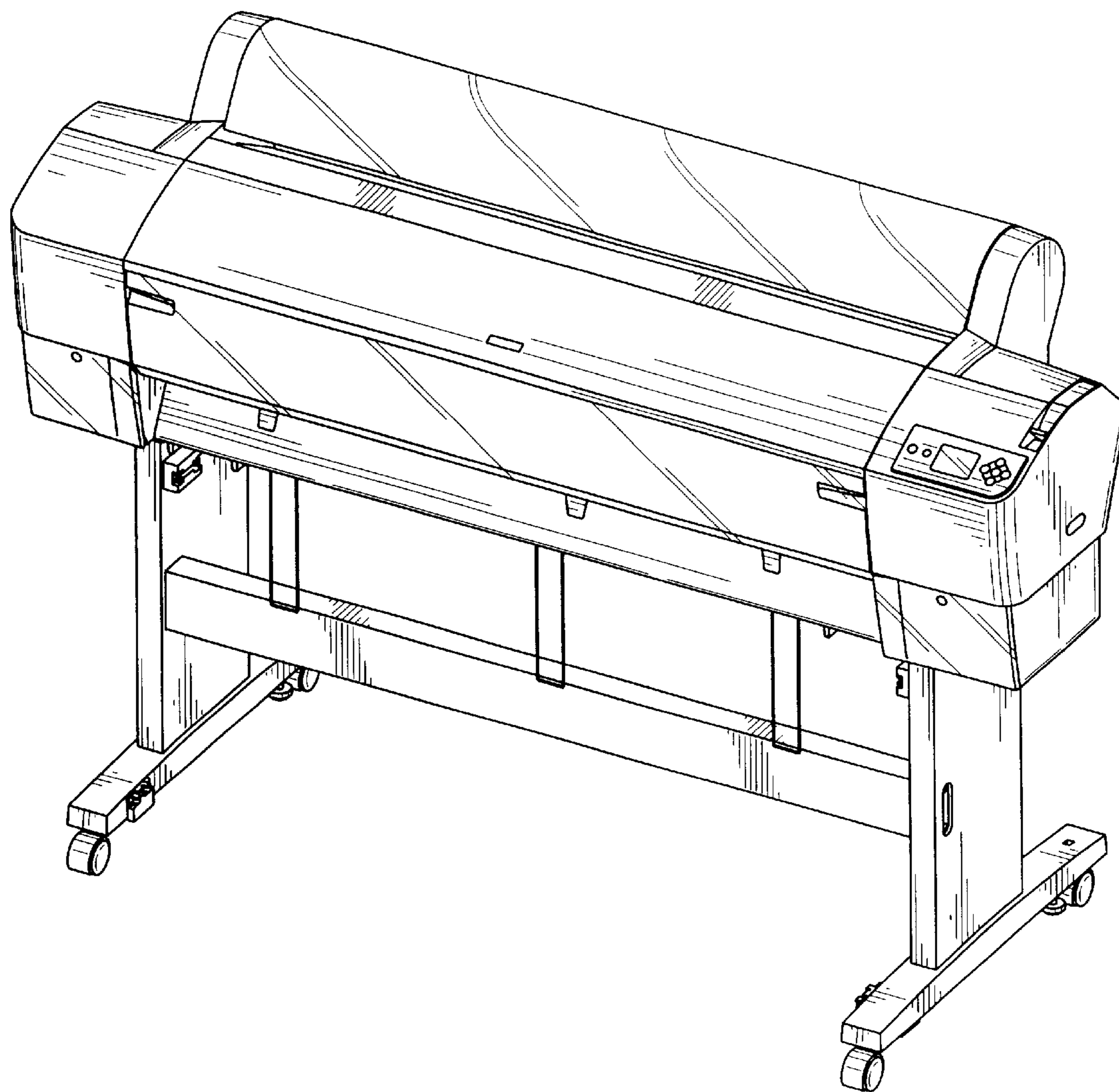


FIG. 1

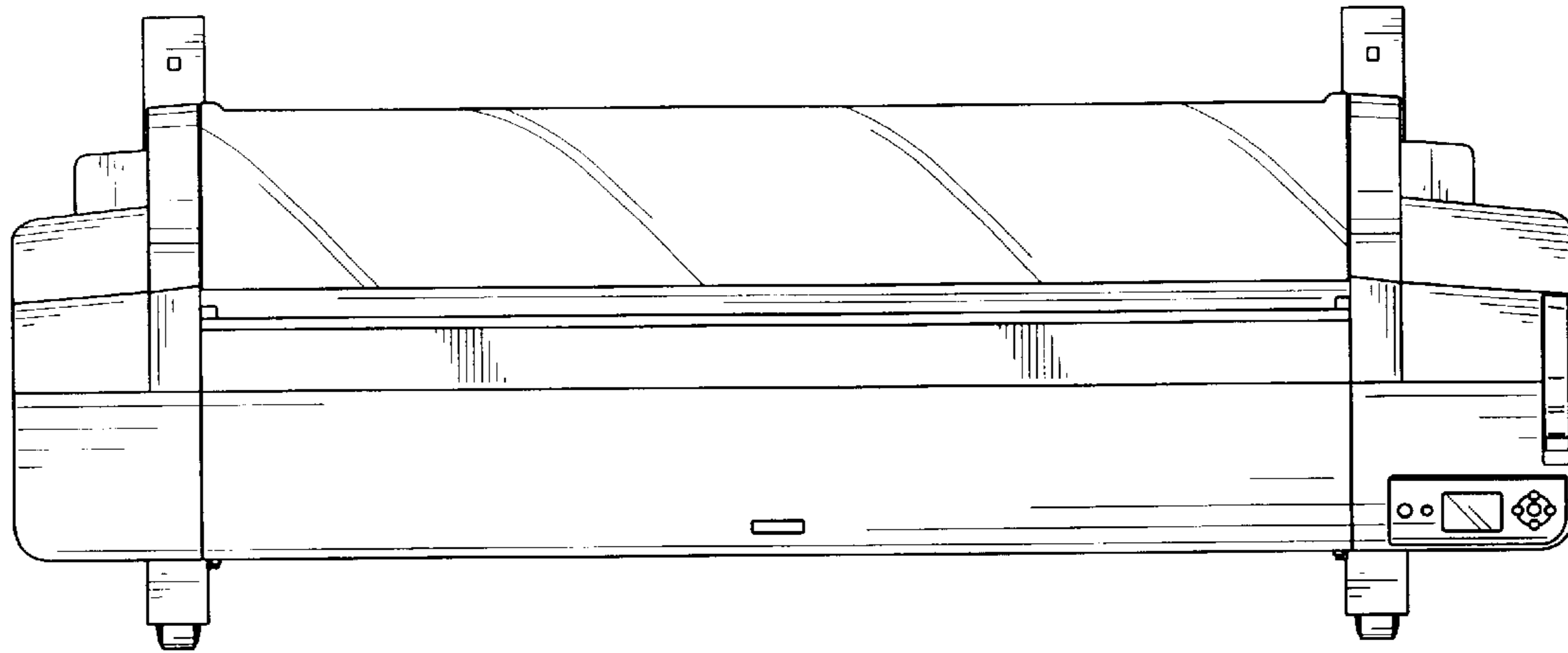


FIG. 2

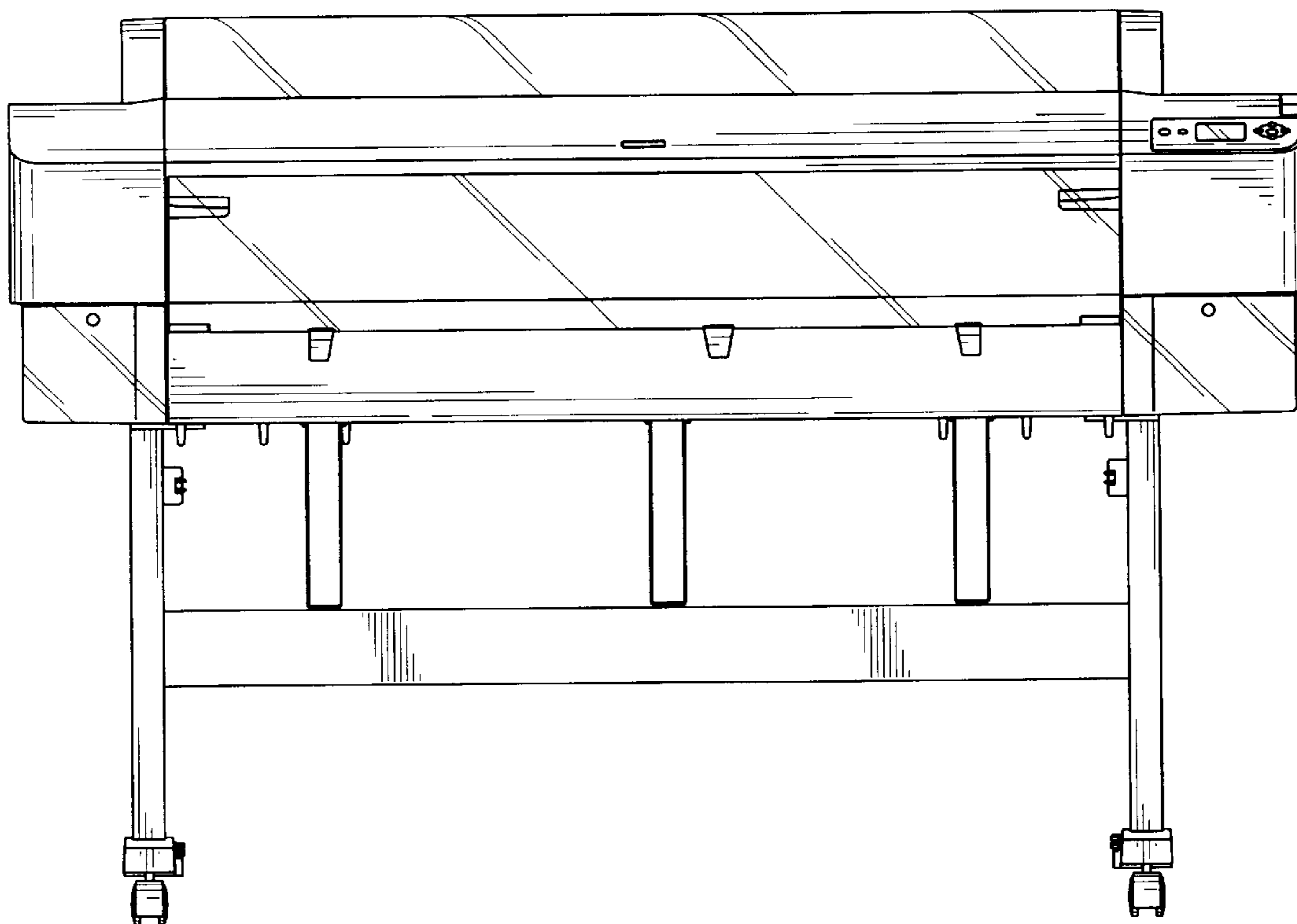


FIG. 3

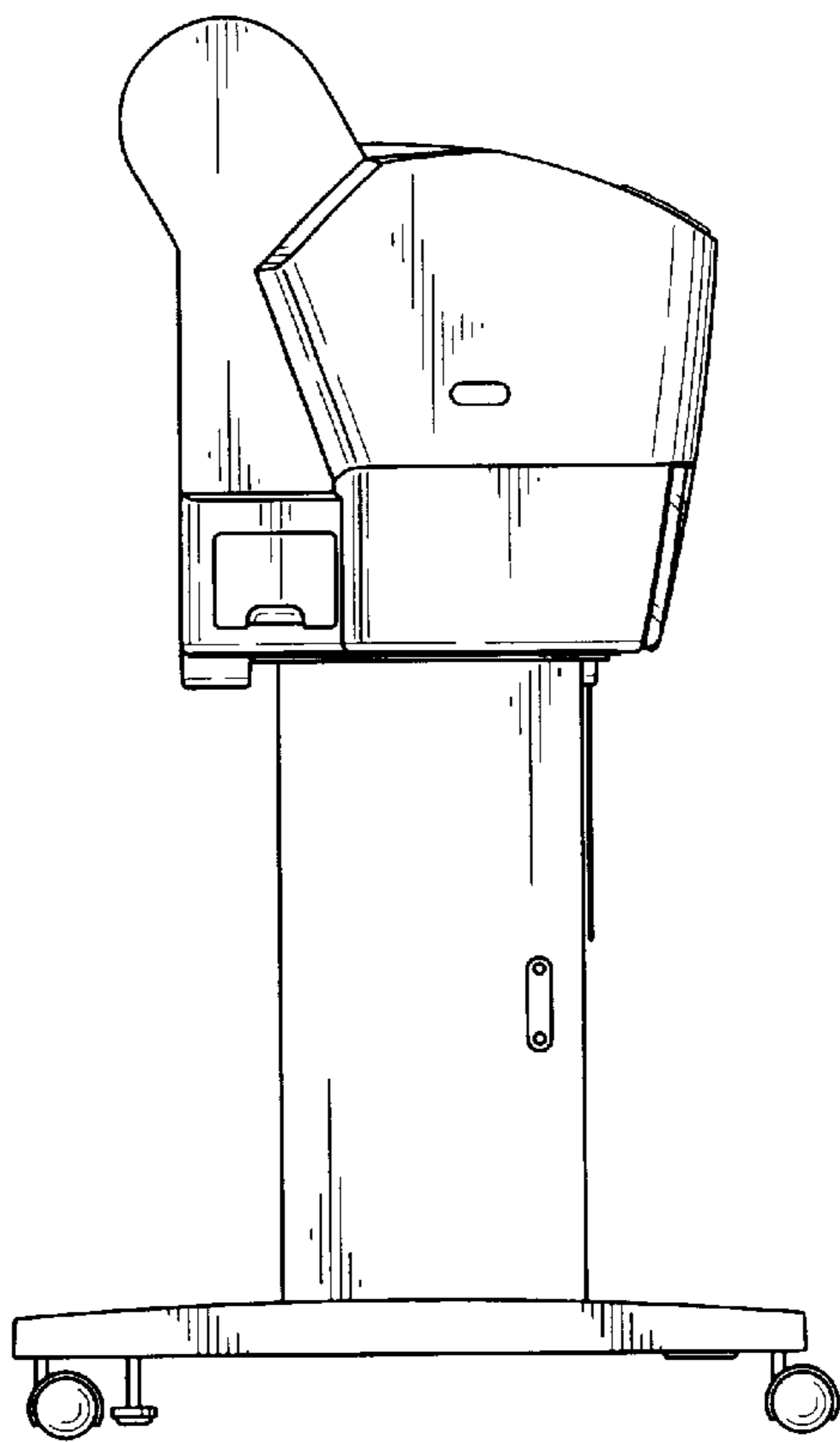


FIG. 4

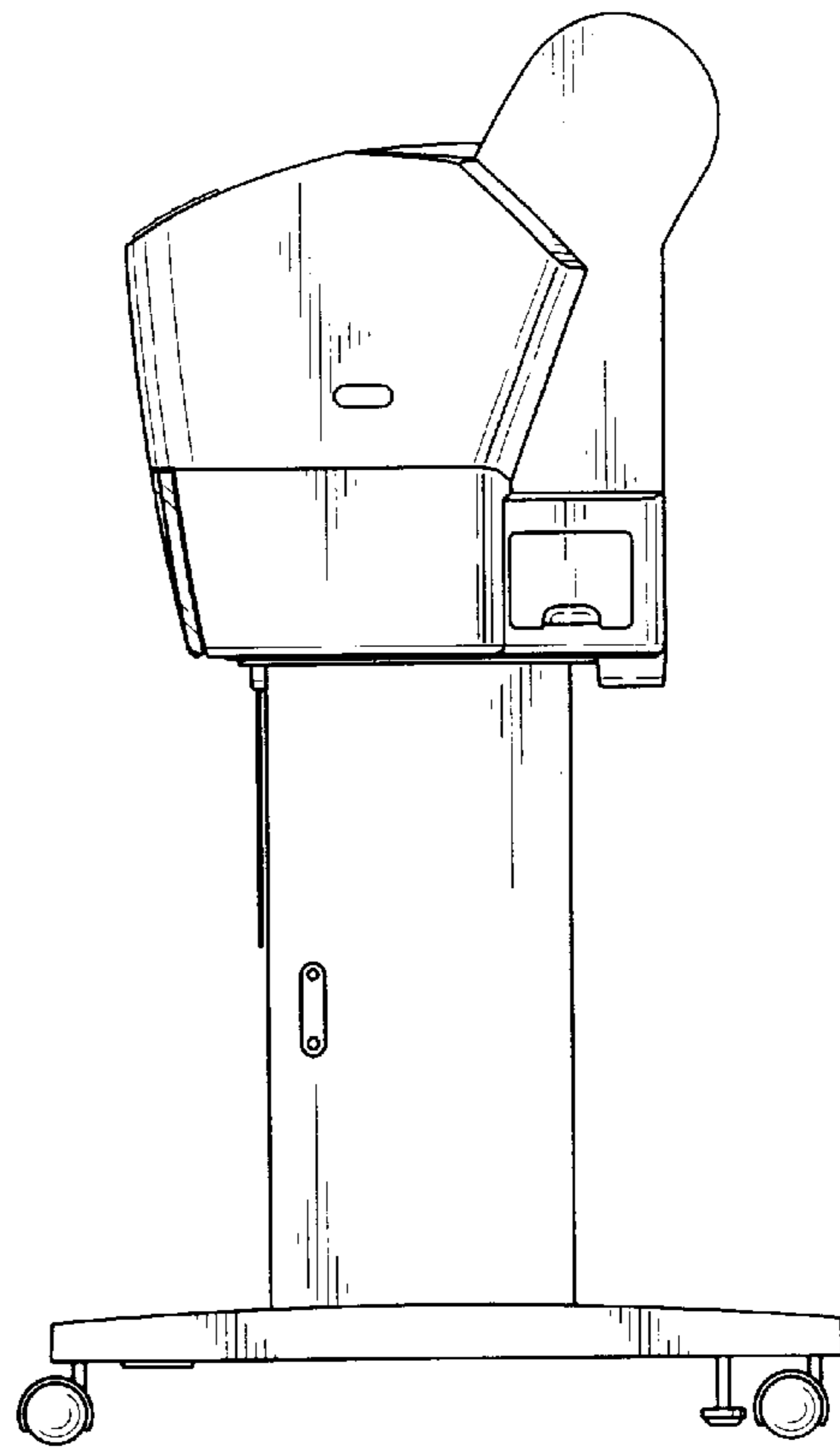


FIG. 5

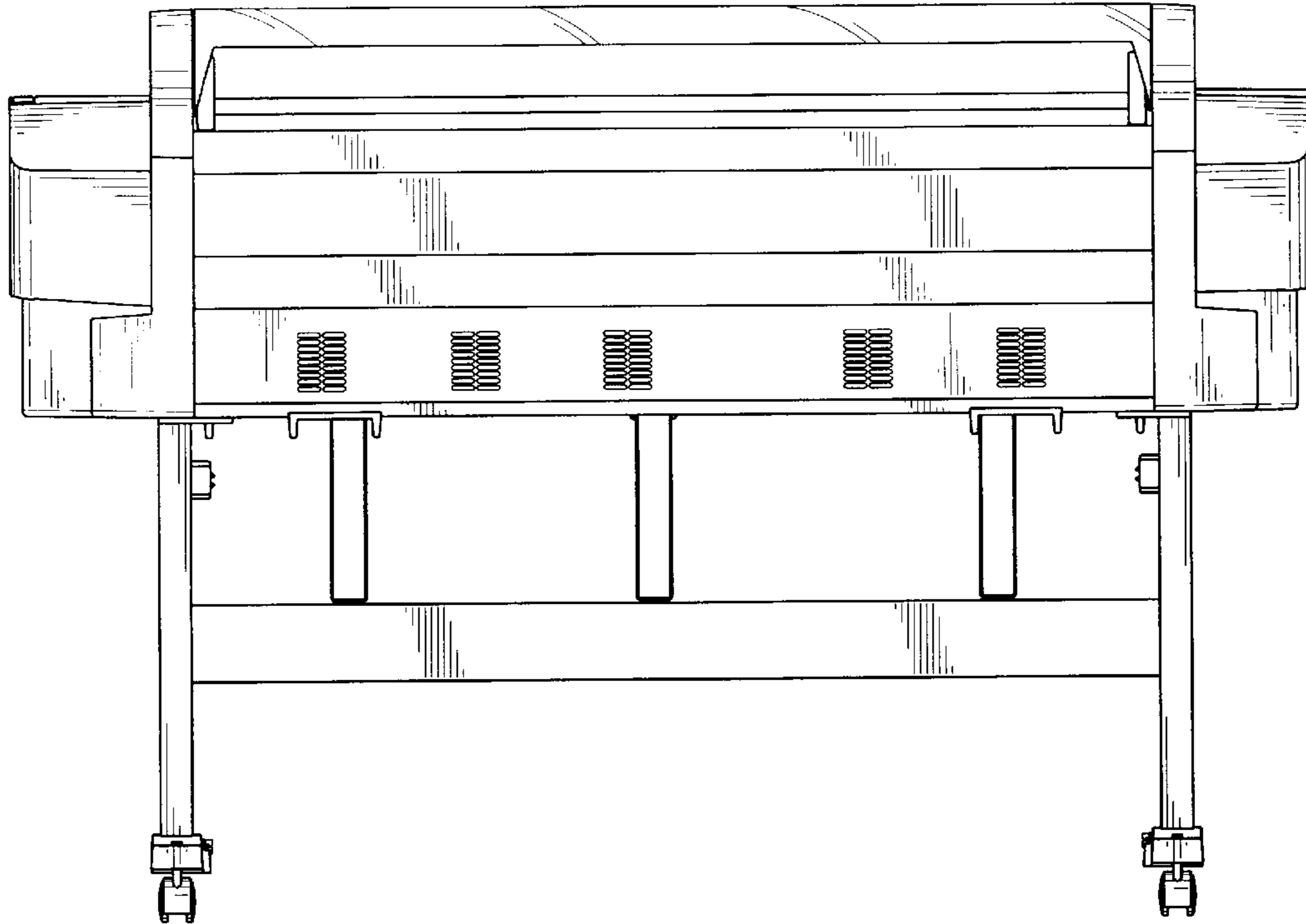


FIG. 6

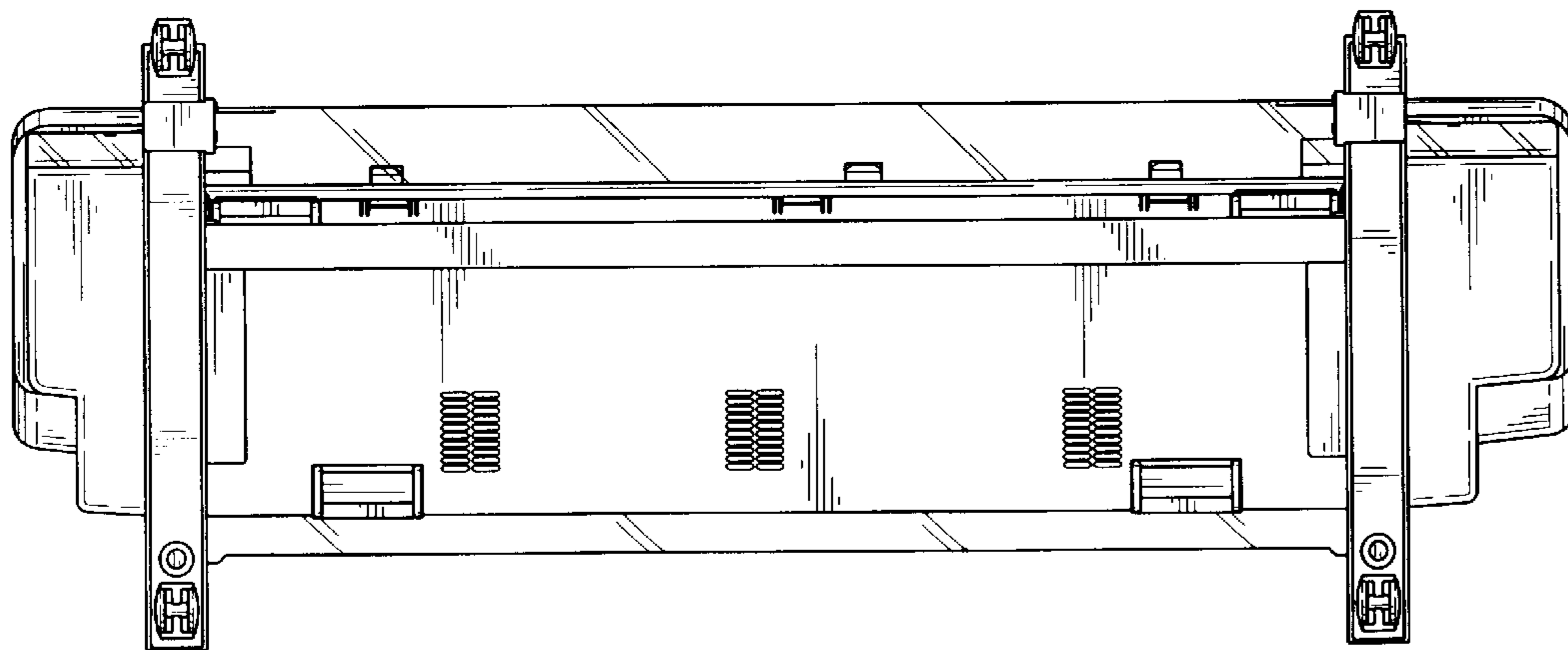


FIG. 7