



US00D529543S

(12) **United States Design Patent**
Fukunaga et al.

(10) **Patent No.:** **US D529,543 S**

(45) **Date of Patent:** **** Oct. 3, 2006**

(54) **PRINTER**

(75) Inventors: **Yuzo Fukunaga**, Nagoya (JP);
Hiroyuki Sakano, Nagoya (JP); **Kazuo**
Kawasaki, Nagoya (JP)

(73) Assignee: **Brother Industries, Ltd.**, Nagoya (JP)

(**) Term: **14 Years**

(21) Appl. No.: **29/226,196**

(22) Filed: **Mar. 25, 2005**

(30) **Foreign Application Priority Data**

Sep. 30, 2004 (JP) 2004-029836

(51) **LOC (8) Cl.** **14-02**

(52) **U.S. Cl.** **D18/50**

(58) **Field of Classification Search** D18/36-39,
D18/53-54, 54.1, 55; D14/420-425, 462-470;
399/107; 400/613, 613.1-613.4, 691.1-691.4,
400/691-694

See application file for complete search history.

(56) **References Cited**

U.S. PATENT DOCUMENTS

D276,342 S * 11/1984 Kitai D18/54
D280,211 S * 8/1985 Overman et al. D18/55
D297,642 S * 9/1988 Van der Tuuk D14/420

D298,136 S * 10/1988 Toth et al. D18/54
D302,812 S * 8/1989 Hiroki D14/422
4,956,665 A * 9/1990 Niles D18/50
D323,846 S * 2/1992 Yamamoto D18/50
D339,372 S * 9/1993 Kando D18/50
D360,567 S * 7/1995 Takahashi D18/50
D372,492 S * 8/1996 Stanton D18/54.1
D494,215 S * 8/2004 Evers D18/55
6,860,664 B1 * 3/2005 Silverbrook 400/613
2002/0090246 A1 * 7/2002 Baker et al. 400/693

* cited by examiner

Primary Examiner—Cathy Anne MacCormac

(74) *Attorney, Agent, or Firm*—Oliff & Berridge, PLC

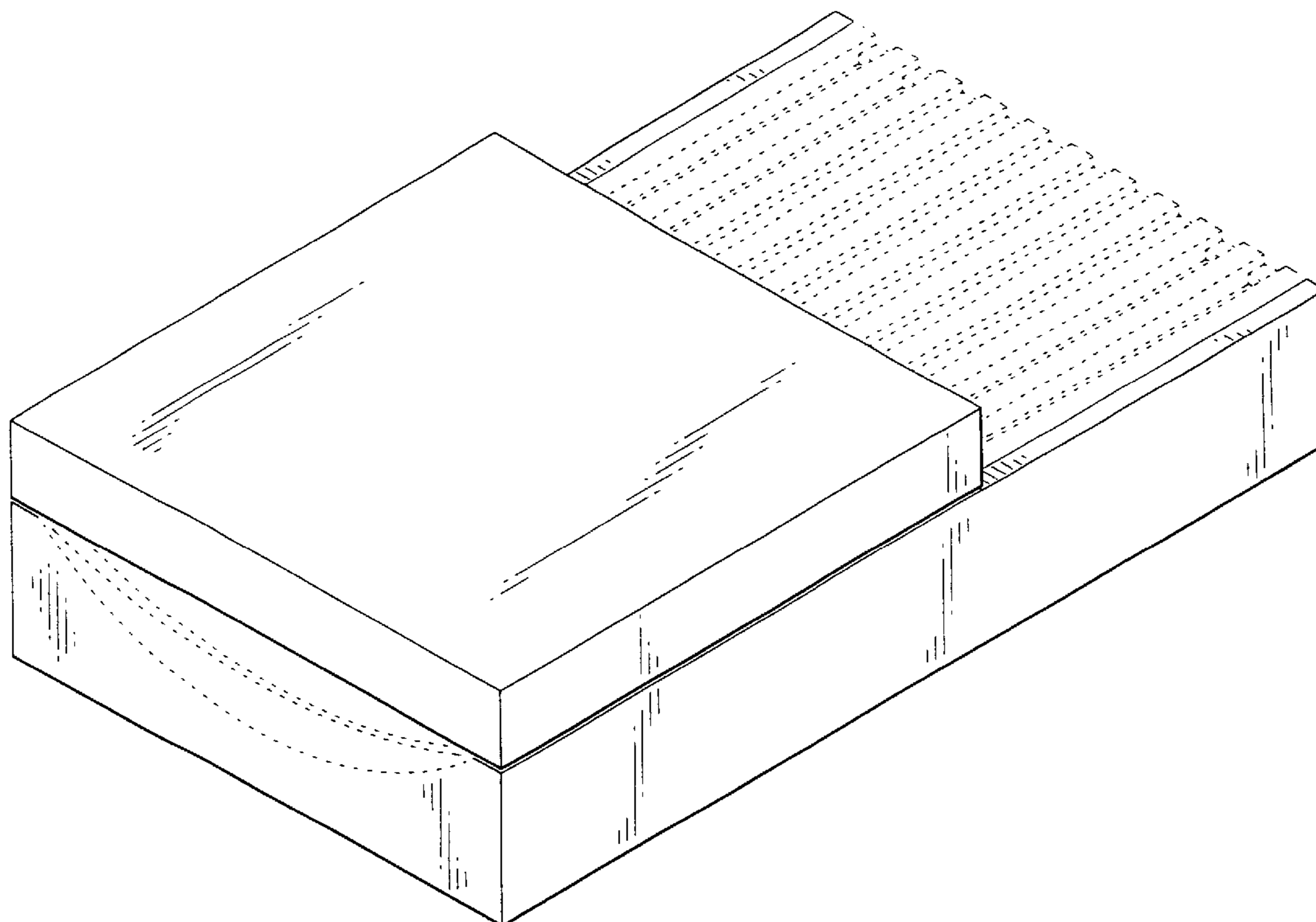
(57) **CLAIM**

The ornamental design for a printer, as shown and described.

DESCRIPTION

FIG. 1 is a perspective view of a printer;
FIG. 2 is a front view thereof;
FIG. 3 is a top view thereof;
FIG. 4 is a right view thereof;
FIG. 5 is a left view thereof;
FIG. 6 is a rear view thereof; and,
FIG. 7 is a bottom view thereof.
The broken lines are for illustrative purposes only and form
no part of the claimed design.

1 Claim, 4 Drawing Sheets



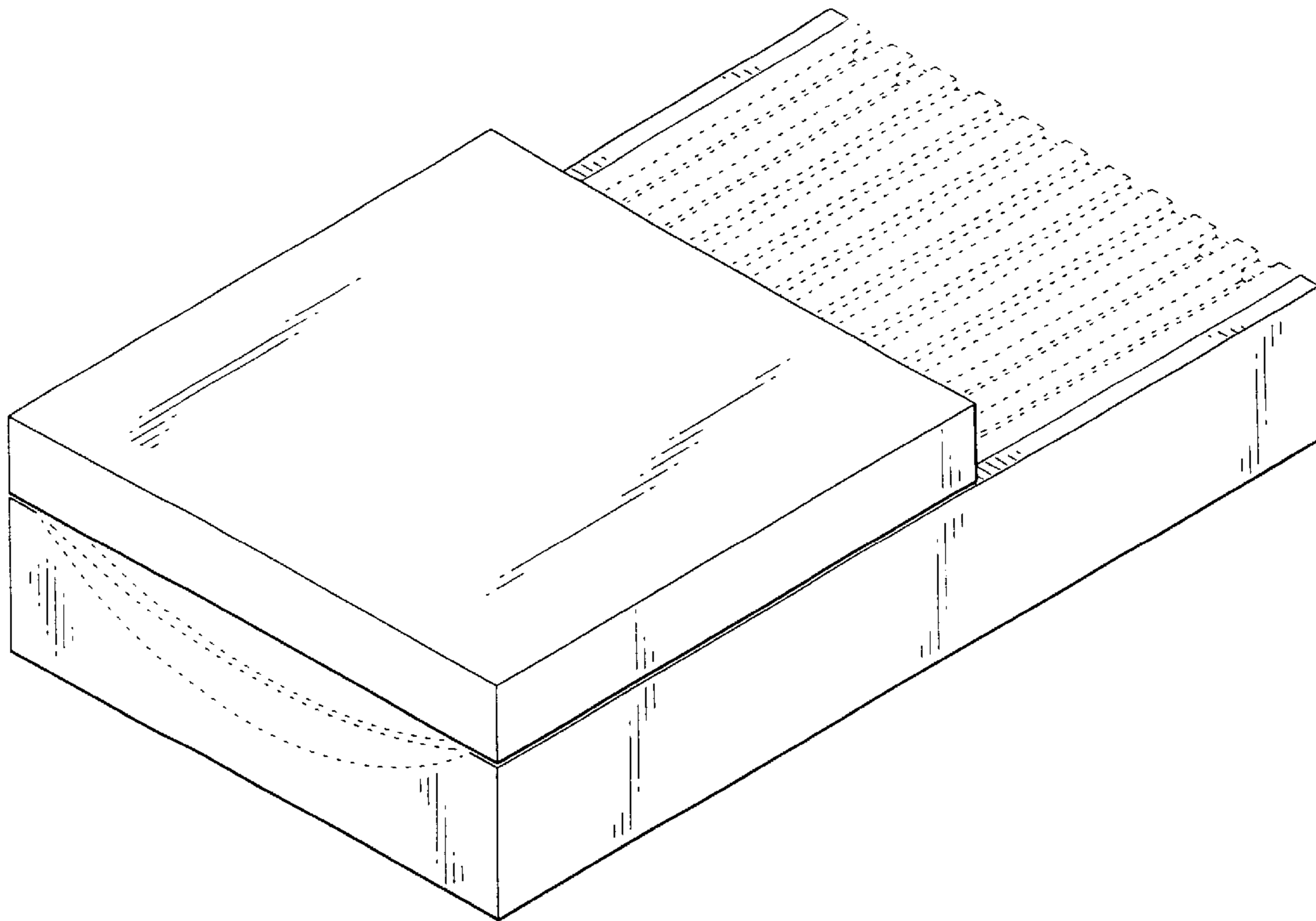


Fig. 1

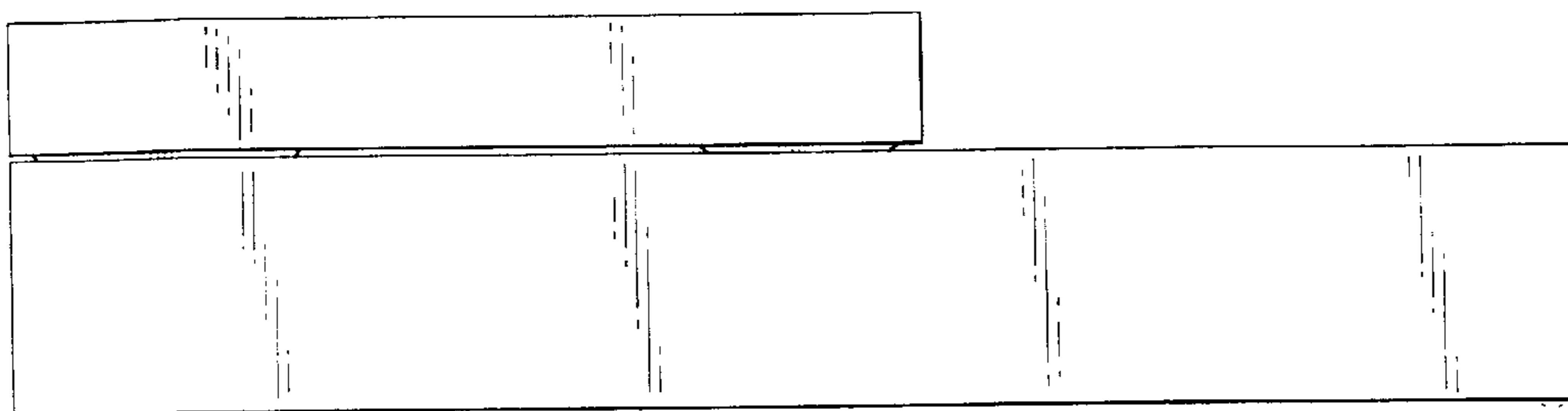


Fig. 2

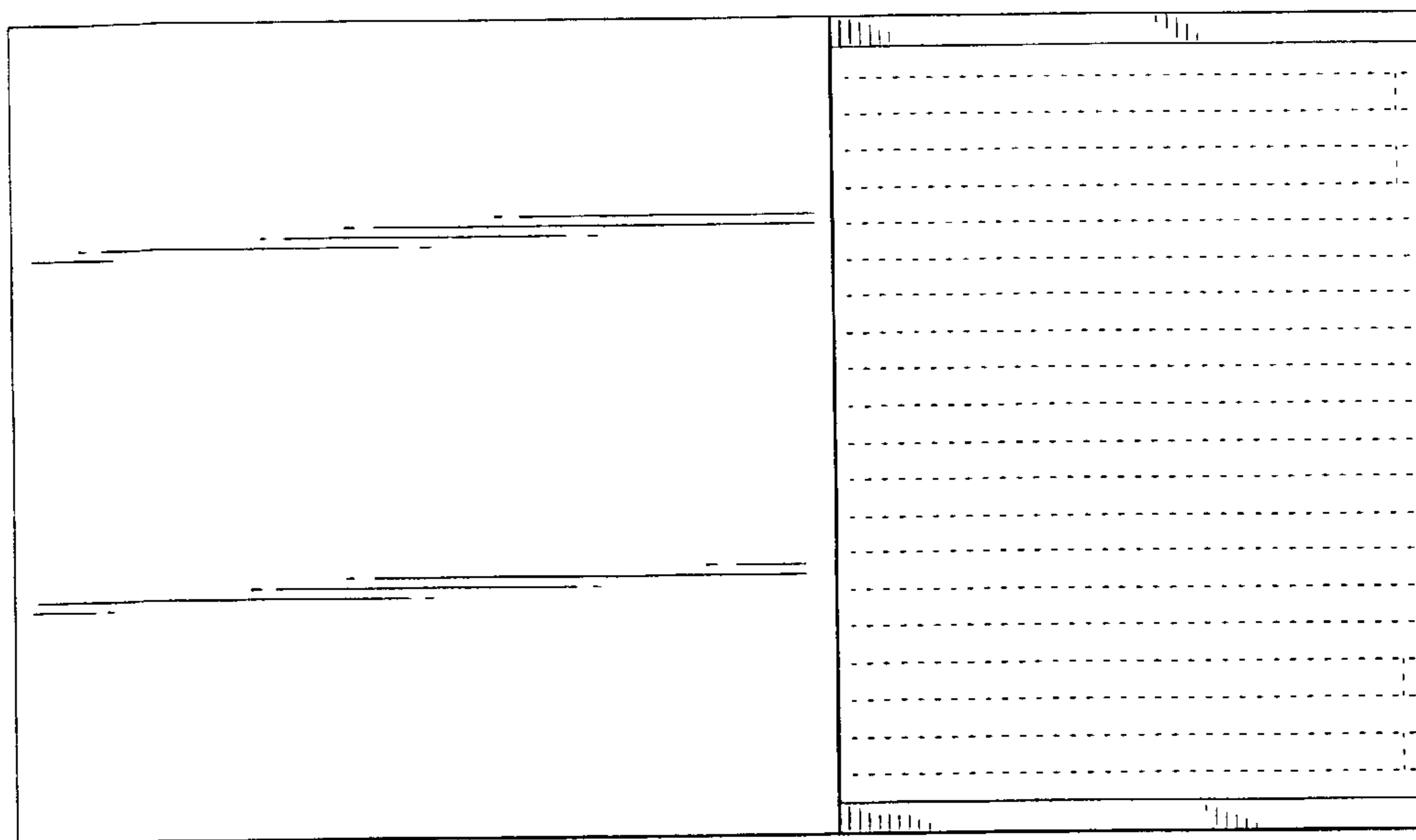


Fig. 3

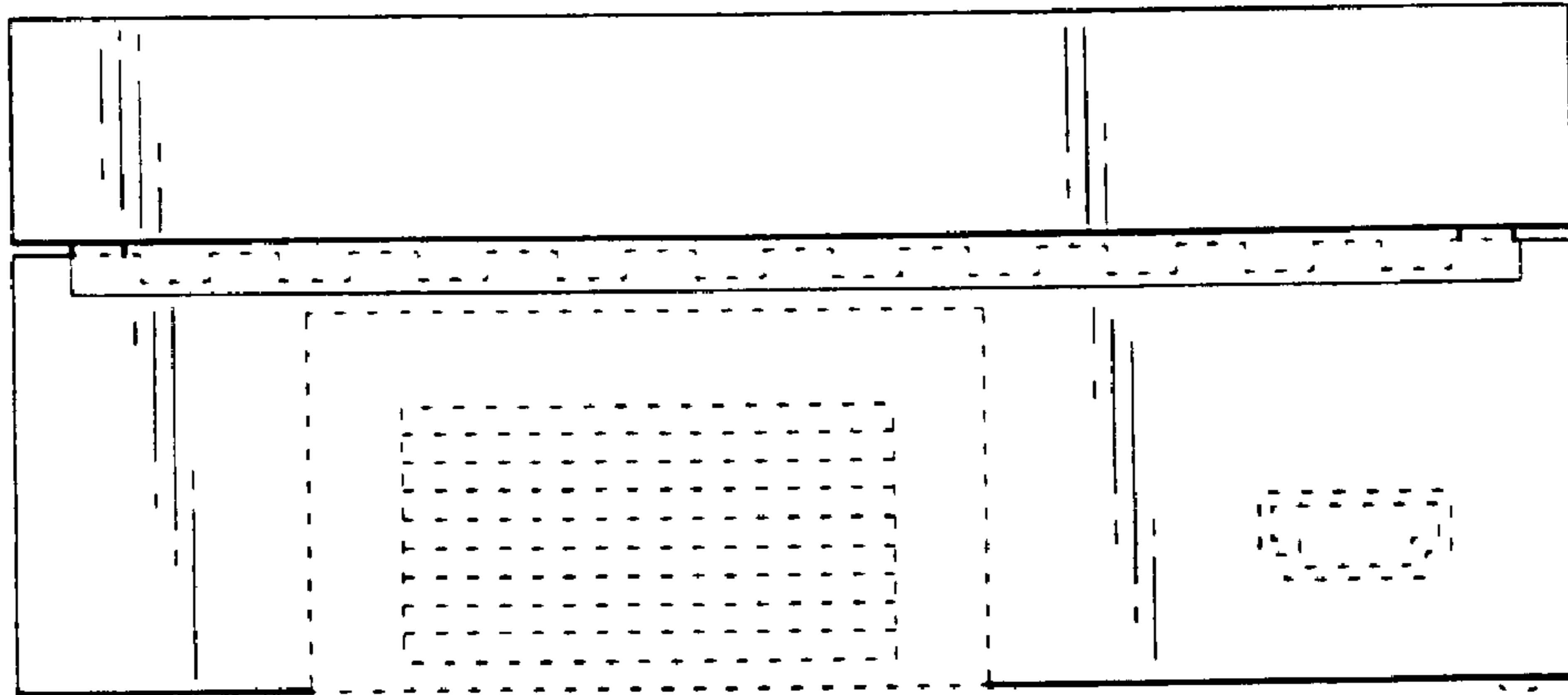


Fig. 4

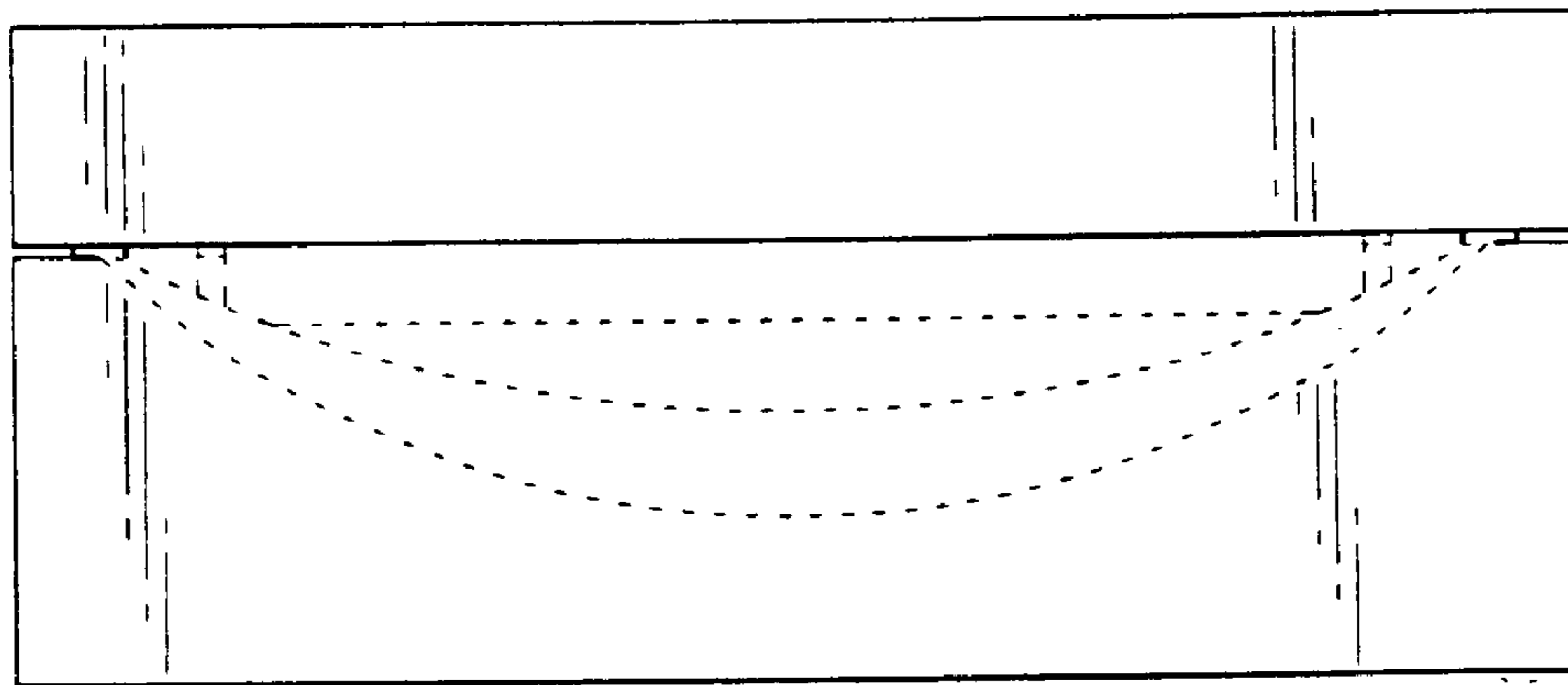


Fig. 5

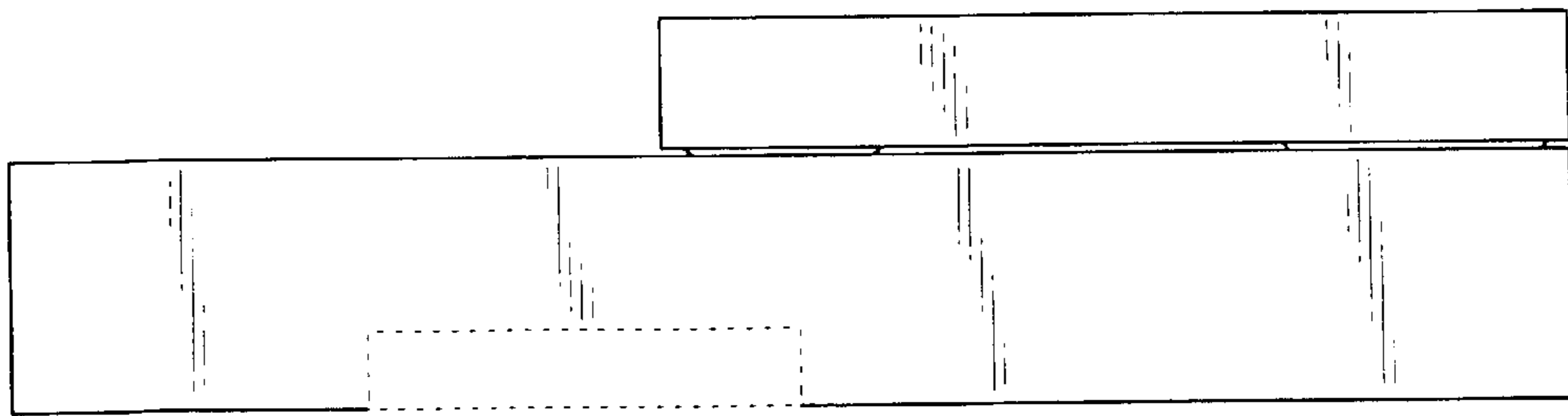


Fig. 6

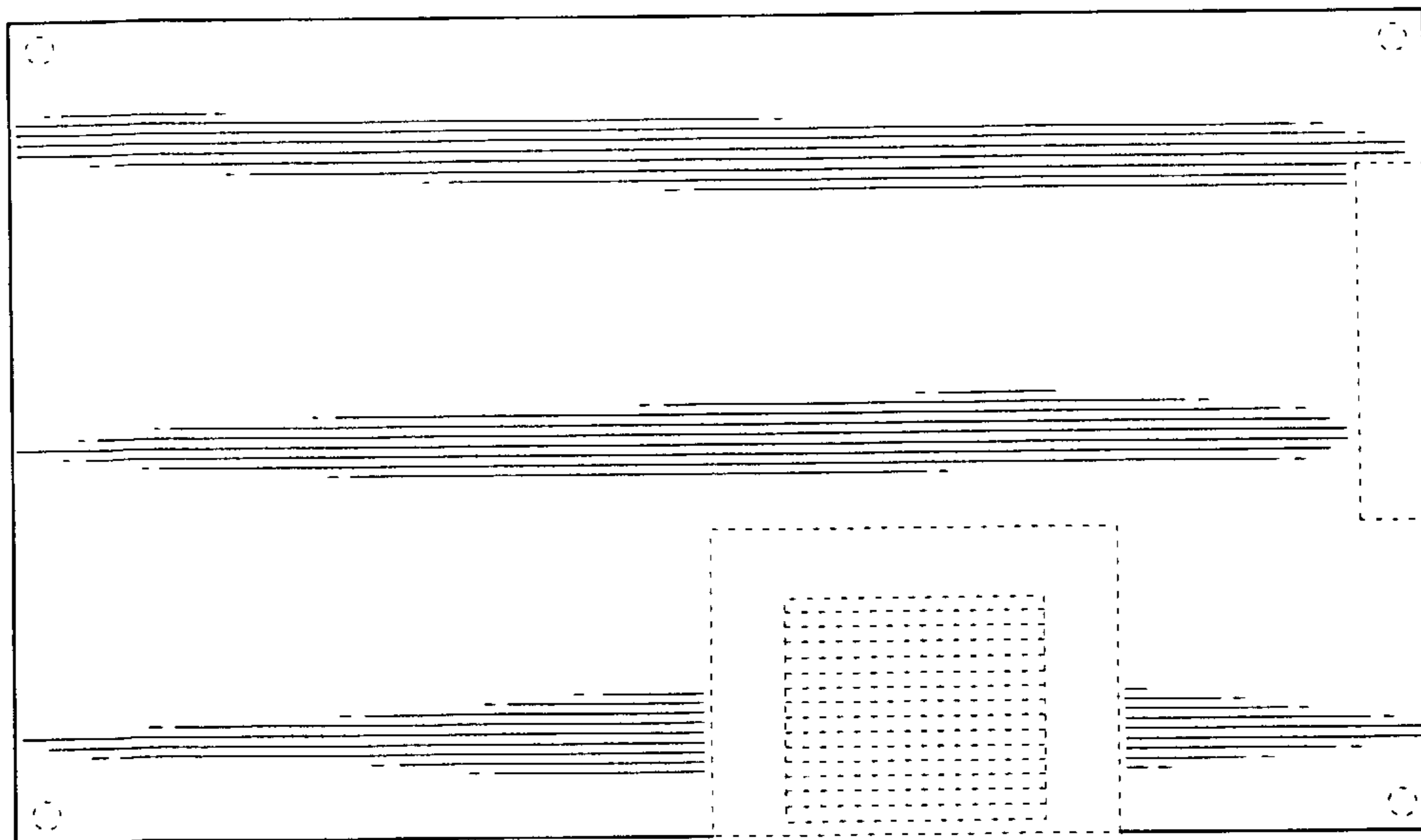


Fig. 7