

US00D529542S

(12) **United States Design Patent**  
**Tazawa**

(10) **Patent No.:** **US D529,542 S**

(45) **Date of Patent:** **\*\* Oct. 3, 2006**

(54) **TONER BOTTLE**

(75) **Inventor:** **Fumio Tazawa**, Kashiwa (JP)

(73) **Assignee:** **Canon Kabushiki Kaisha**, Tokyo (JP)

(\*\*) **Term:** **14 Years**

(21) **Appl. No.:** **29/223,834**

(22) **Filed:** **Feb. 22, 2005**

(30) **Foreign Application Priority Data**

Aug. 25, 2004 (JP) ..... 2004-025400

(51) **LOC (8) Cl.** ..... **16-03**

(52) **U.S. Cl.** ..... **D18/43**

(58) **Field of Classification Search** ..... D18/12,  
D18/36, 40, 43, 44, 56; D14/462, 469-471,  
D14/474-484; 222/DIG. 1; 347/49, 86, 87,  
347/197, 214, 222; 399/24-28, 107-112,  
399/119, 222-224; 400/194, 196, 207, 208

See application file for complete search history.

(56) **References Cited**

**U.S. PATENT DOCUMENTS**

3,338,410 A \* 8/1967 South ..... D18/43  
3,920,325 A \* 11/1975 Swift ..... 399/107  
4,386,839 A \* 6/1983 Kumagai et al. .... 399/116  
4,688,926 A \* 8/1987 Manno ..... 222/DIG. 1  
D330,215 S \* 10/1992 Saito et al. .... D18/43  
D337,259 S \* 7/1993 Curtis et al. .... D9/688  
D384,368 S \* 9/1997 Agata et al. .... D18/43

5,765,059 A \* 6/1998 Kosuge et al. .... 399/224  
D398,634 S \* 9/1998 Katayama et al. .... D18/43  
D399,870 S \* 10/1998 Okada et al. .... D18/43  
5,867,751 A \* 2/1999 Nomura et al. .... 399/111  
D414,507 S \* 9/1999 Nozawa et al. .... D18/43  
D478,118 S \* 8/2003 Neri ..... D18/40  
D490,843 S \* 6/2004 Minagawa et al. .... D18/43  
6,876,827 B1 \* 4/2005 Michlin ..... 399/111  
2001/0028811 A1 \* 10/2001 Kojima et al. .... 399/111  
2002/0028087 A1 \* 3/2002 Higeta et al. .... 399/109  
2004/0131389 A1 \* 7/2004 Tazawa et al. .... 399/258

\* cited by examiner

*Primary Examiner*—Caron Veynar

*Assistant Examiner*—Garth Rademaker

(74) *Attorney, Agent, or Firm*—Fitzpatrick, Cella, Harper & Scinto

(57) **CLAIM**

The ornamental design for a toner bottle, as shown.

**DESCRIPTION**

FIG. 1 is a front view of a toner bottle showing my new design;

FIG. 2 is a rear view thereof;

FIG. 3 is a top plan view thereof;

FIG. 4 is a bottom plan view thereof;

FIG. 5 is a left side view thereof;

FIG. 6 is a right side view thereof; and,

FIG. 7 is a perspective view thereof.

**1 Claim, 4 Drawing Sheets**

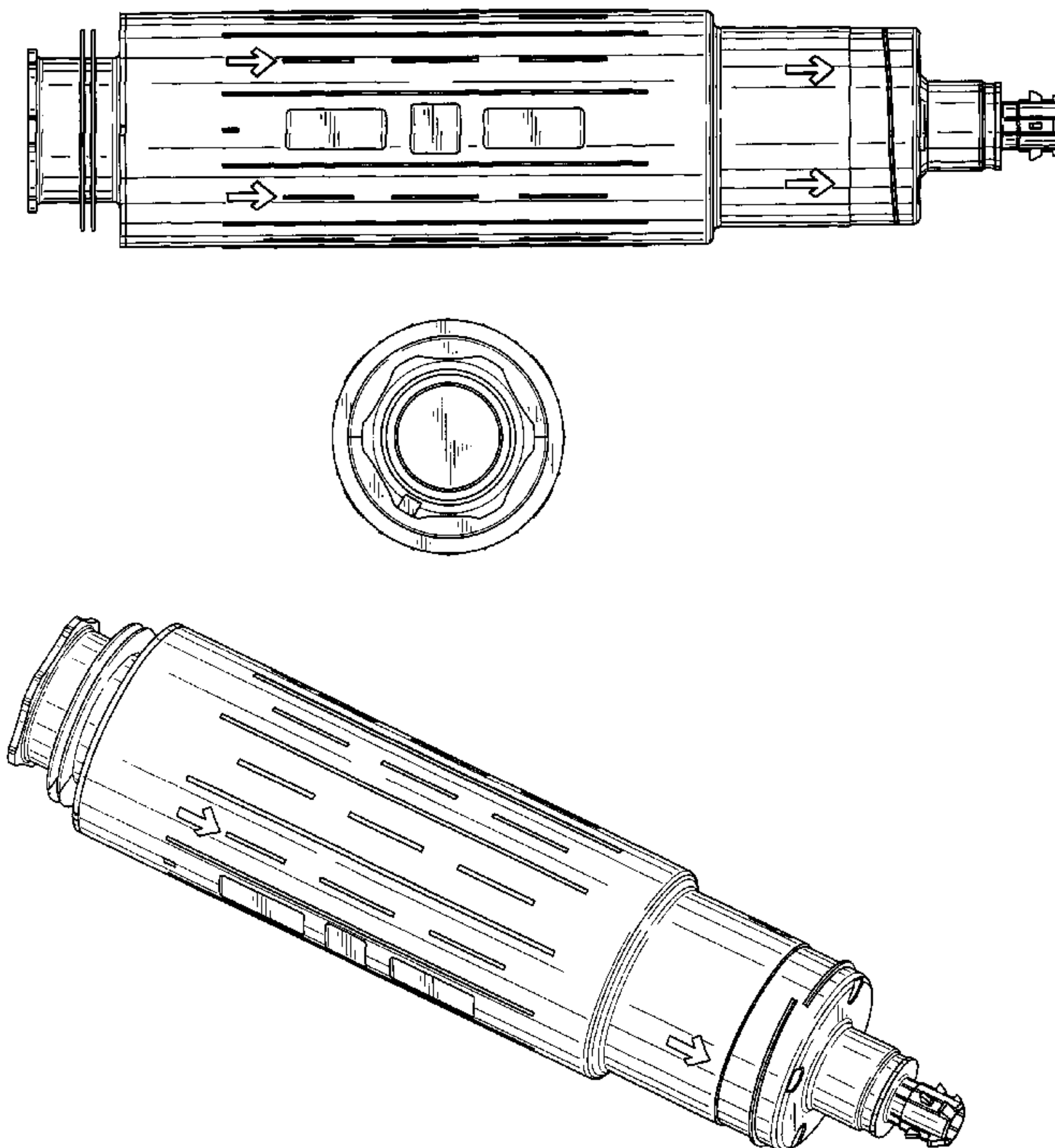


FIG. 1

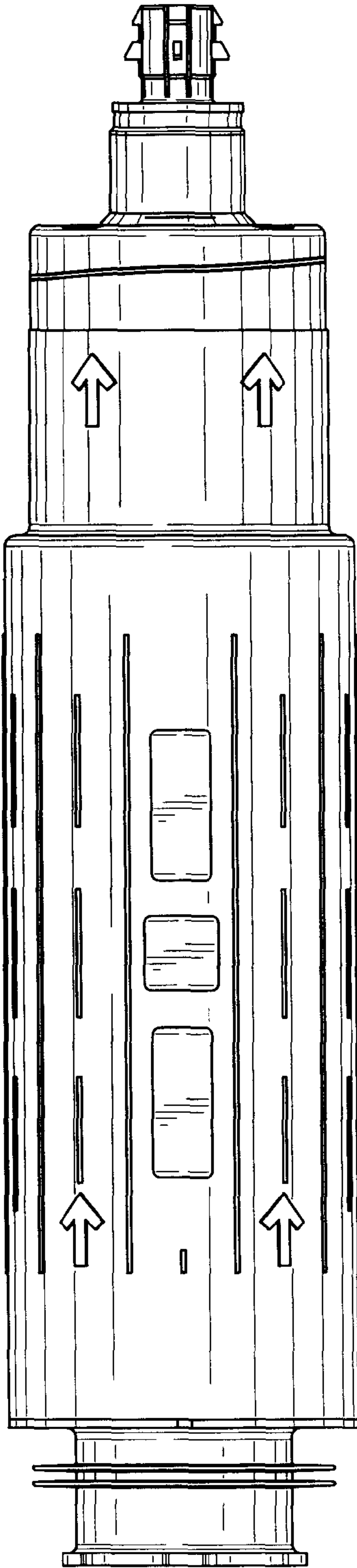


FIG. 2

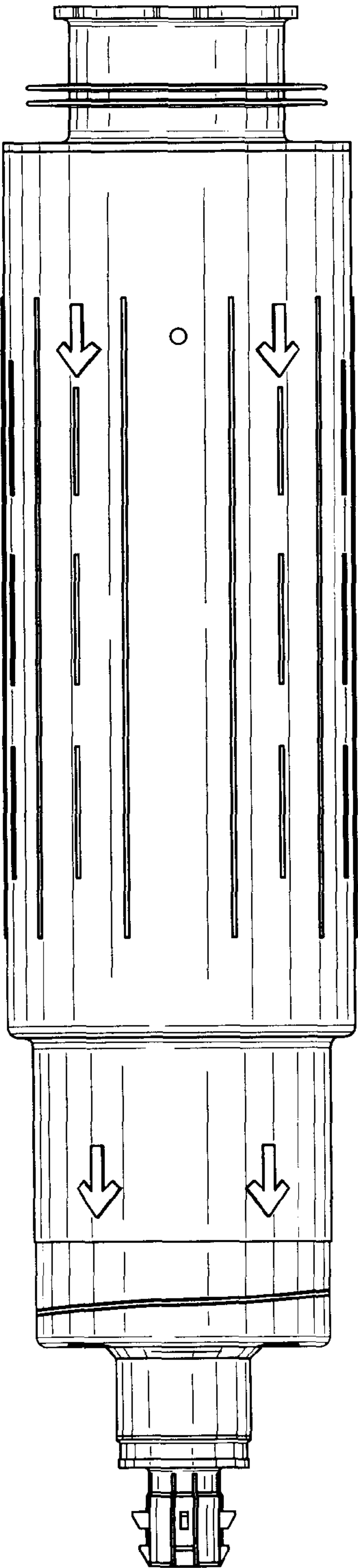


FIG. 3

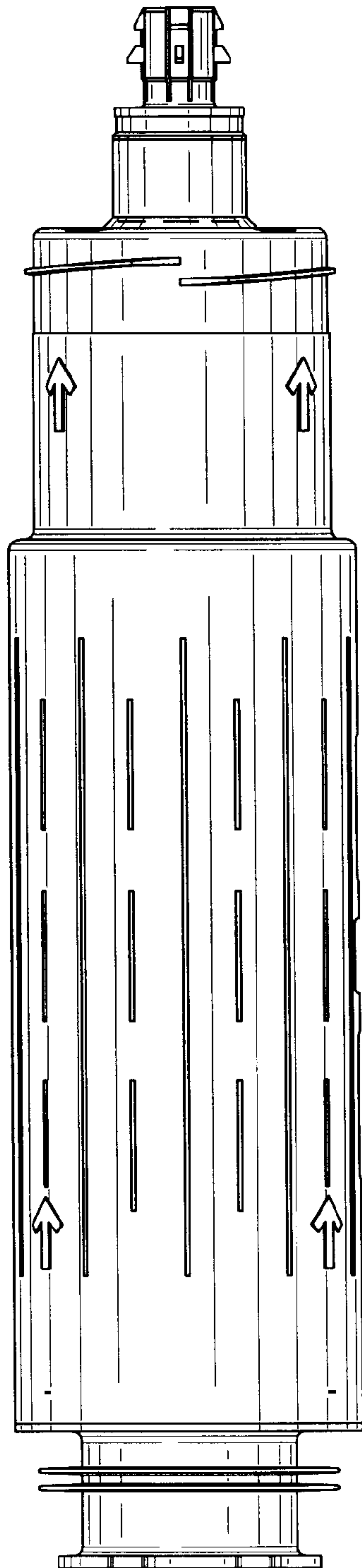
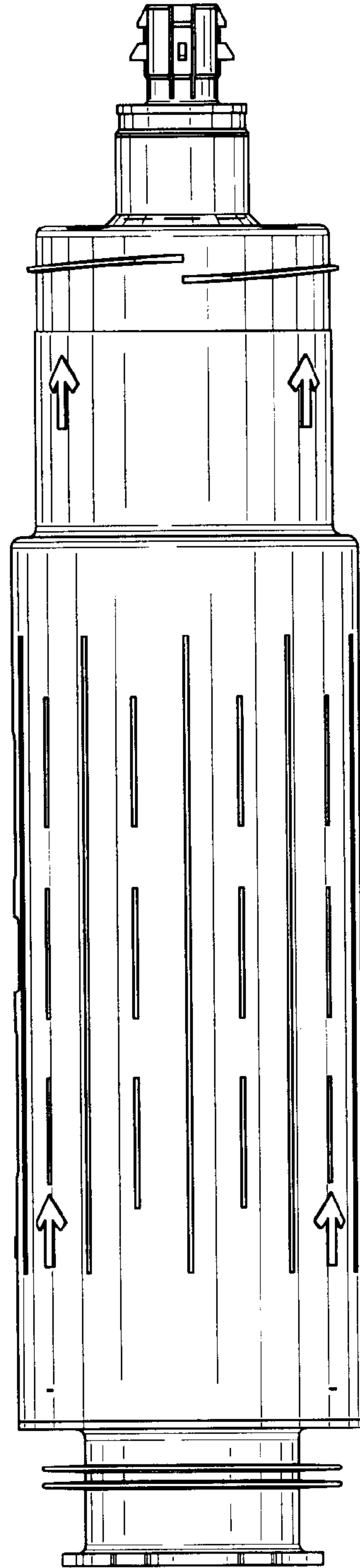
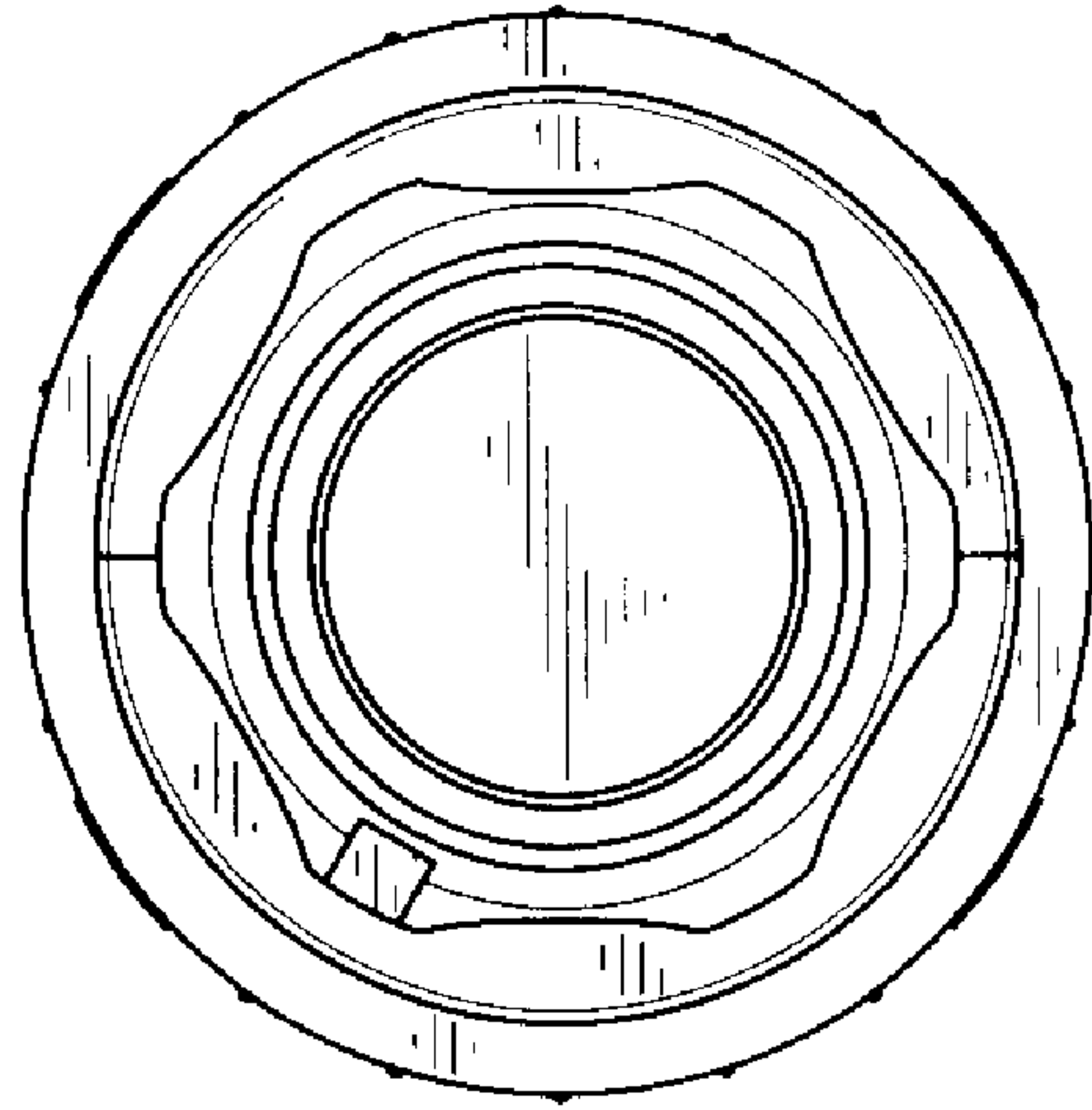


FIG. 4



*FIG. 5*



*FIG. 6*

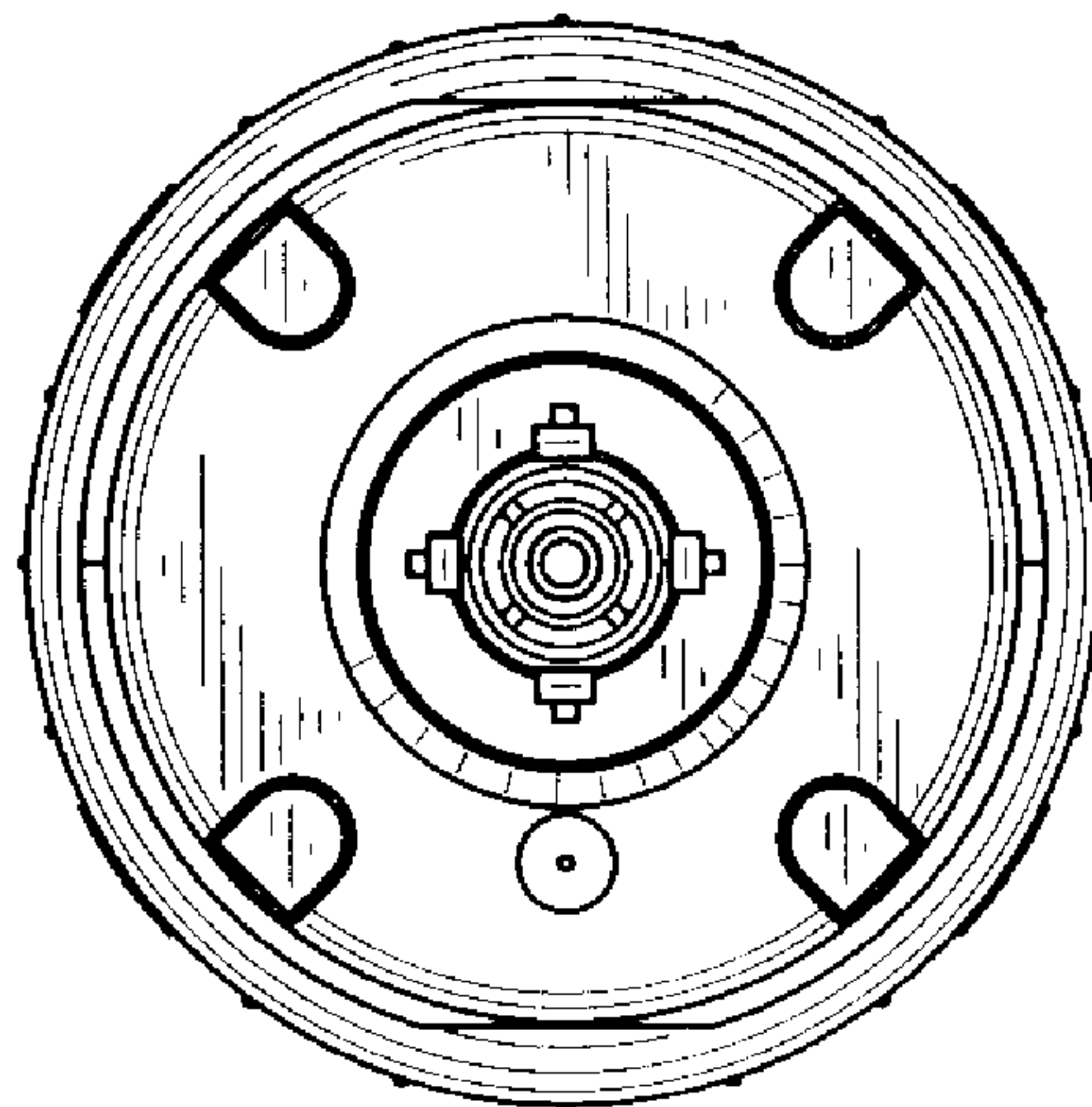




FIG. 7

