



US00D529541S

(12) **United States Design Patent**
Kawai

(10) **Patent No.:** **US D529,541 S**
(45) **Date of Patent:** **** Oct. 3, 2006**

(54) **DEVELOPMENT CARTRIDGE**

(75) Inventor: **Hideaki Kawai**, Kyoto (JP)

(73) Assignee: **Murata Kikai Kabushiki Kaisha**,
Kyoto (JP)

(**) Term: **14 Years**

(21) Appl. No.: **29/213,014**

(22) Filed: **Sep. 10, 2004**

(30) **Foreign Application Priority Data**

| | | | |
|---------------|------|-------|-------------|
| Mar. 15, 2004 | (JP) | | 2004-007621 |
| Mar. 15, 2004 | (JP) | | 2004-007622 |
| Mar. 15, 2004 | (JP) | | 2004-007623 |
| Mar. 15, 2004 | (JP) | | 2004-007624 |

(51) **LOC (8) Cl.** **16-03**

(52) **U.S. Cl.** **D18/43**

(58) **Field of Classification Search** D18/12,
D18/36, 40, 43, 44, 56; D14/462, 469-471;
222/DIG. 1; 347/197, 222; 339/24-28, 107-112,
339/119, 121, 122, 222-224; 400/207, 208
See application file for complete search history.

(56) **References Cited**

U.S. PATENT DOCUMENTS

| | | | | | | |
|-----------|----|---|---------|------------------|-------|---------|
| D319,842 | S | * | 9/1991 | Tanda | | D18/43 |
| 5,493,366 | A | * | 2/1996 | Satoh et al. | | 399/111 |
| D378,829 | S | * | 4/1997 | Aoyama et al. | | D18/40 |
| D443,636 | S | * | 6/2001 | Kurosawa et al. | | D18/43 |
| 6,272,299 | B1 | * | 8/2001 | Numagami et al. | | 399/111 |
| D451,127 | S | * | 11/2001 | Katou et al. | | D18/43 |
| D460,980 | S | * | 7/2002 | Matsuzaki et al. | | D18/40 |
| 6,975,822 | B1 | * | 12/2005 | Kunou et al. | | 399/109 |
| D518,851 | S | * | 4/2006 | Awano et al. | | D18/40 |

(Continued)

FOREIGN PATENT DOCUMENTS

| | | |
|----|----------|--------|
| JP | D1064657 | 3/2000 |
| JP | D1079578 | 7/2000 |
| JP | D1080075 | 7/2000 |

(Continued)

Primary Examiner—Caron D. Veynar
Assistant Examiner—Garth Rademaker

(74) *Attorney, Agent, or Firm*—Hogan & Hartson LLP

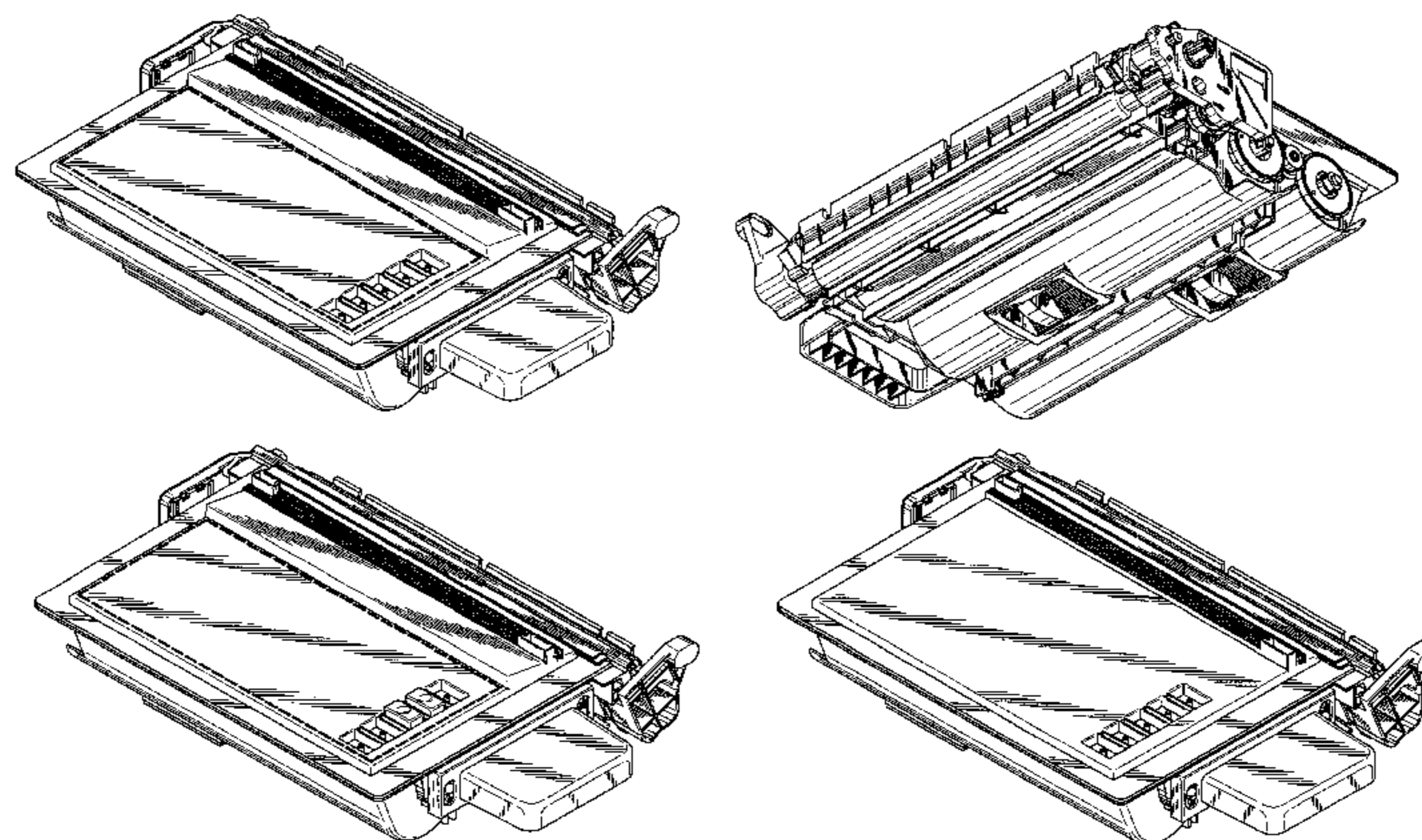
(57) **CLAIM**

The ornamental design for a development cartridge, as shown and described.

DESCRIPTION

FIG. 1 is a perspective view of a development cartridge of the present invention;
 FIG. 2 is another perspective view thereof;
 FIG. 3 is a front view thereof;
 FIG. 4 is a rear view thereof;
 FIG. 5 is a top plan view thereof;
 FIG. 6 is a bottom plan view thereof;
 FIG. 7 is a right side elevational view thereof;
 FIG. 8 is a left side elevational view thereof;
 FIG. 9 is a perspective view of a development cartridge according to a second embodiment of the present invention;
 FIG. 10 is another perspective view thereof;
 FIG. 11 is a front view thereof;
 FIG. 12 is a rear view thereof;
 FIG. 13 is a top plan view thereof;
 FIG. 14 is a bottom plan view thereof;
 FIG. 15 is a right side elevational view thereof;
 FIG. 16 is a left side elevational view thereof;
 FIG. 17 is a perspective view of a development cartridge according to a third embodiment of the present invention;
 FIG. 18 is another perspective view thereof;
 FIG. 19 is a front view thereof;
 FIG. 20 is a rear view thereof;
 FIG. 21 is a top plan view thereof;
 FIG. 22 is a bottom plan view thereof;
 FIG. 23 is a right side elevational view thereof;
 FIG. 24 is a left side elevational view thereof;
 FIG. 25 is a perspective view of a development cartridge according to a fourth embodiment of the present invention;
 FIG. 26 is another perspective view thereof;
 FIG. 27 is a front view thereof;
 FIG. 28 is a rear view thereof;
 FIG. 29 is a top plan view thereof;
 FIG. 30 is a bottom plan view thereof;
 FIG. 31 is a right side elevational view thereof; and,
 FIG. 32 is a left side elevational view thereof.

1 Claim, 16 Drawing Sheets



U.S. PATENT DOCUMENTS

| | | | | | | |
|--------------|------|---------|-------------------|----|----------|---------|
| | | | | JP | D1099881 | 2/2001 |
| | | | | JP | D1120834 | 9/2001 |
| 2001/0043814 | A1 * | 11/2001 | Abe | JP | D1134624 | 2/2002 |
| | | | 399/27 | JP | D1134625 | 2/2002 |
| 2002/0076235 | A1 * | 6/2002 | Matsuzaki | JP | D1137127 | 3/2002 |
| | | | 399/111 | JP | D1149603 | 8/2002 |
| 2002/0141767 | A1 * | 10/2002 | Abe | JP | D1153194 | 9/2002 |
| | | | 399/27 | JP | D1153207 | 9/2002 |
| 2002/0172558 | A1 * | 11/2002 | Sekine | JP | D1153694 | 9/2002 |
| | | | 399/109 | JP | D1153721 | 9/2002 |
| 2003/0031481 | A1 * | 2/2003 | Miho | JP | D1166763 | 3/2003 |
| | | | 399/222 | JP | D1192394 | 12/2003 |
| 2004/0096238 | A1 * | 5/2004 | Weiler | JP | D1200324 | 3/2004 |
| | | | 399/109 | JP | D1200502 | 3/2004 |
| 2005/0047828 | A1 * | 3/2005 | Kawai | JP | D1201650 | 4/2004 |
| | | | 399/126 | JP | D1201653 | 4/2004 |
| 2005/0053394 | A1 * | 3/2005 | Ishii et al. | | | |
| | | | 399/111 | | | |
| 2005/0158072 | A1 * | 7/2005 | Kawai | | | |
| | | | 399/119 | | | |
| 2005/0276631 | A1 * | 12/2005 | Mori | | | |
| | | | 399/111 | | | |
| 2006/0029416 | A1 * | 2/2006 | Oguma et al. | | | |
| | | | 399/111 | | | |

FOREIGN PATENT DOCUMENTS

| | | |
|----|------------|---------|
| JP | D1080075-1 | 7/2000 |
| JP | D1093357 | 12/2000 |
| JP | D1094127 | 12/2000 |

* cited by examiner

FIG. 1

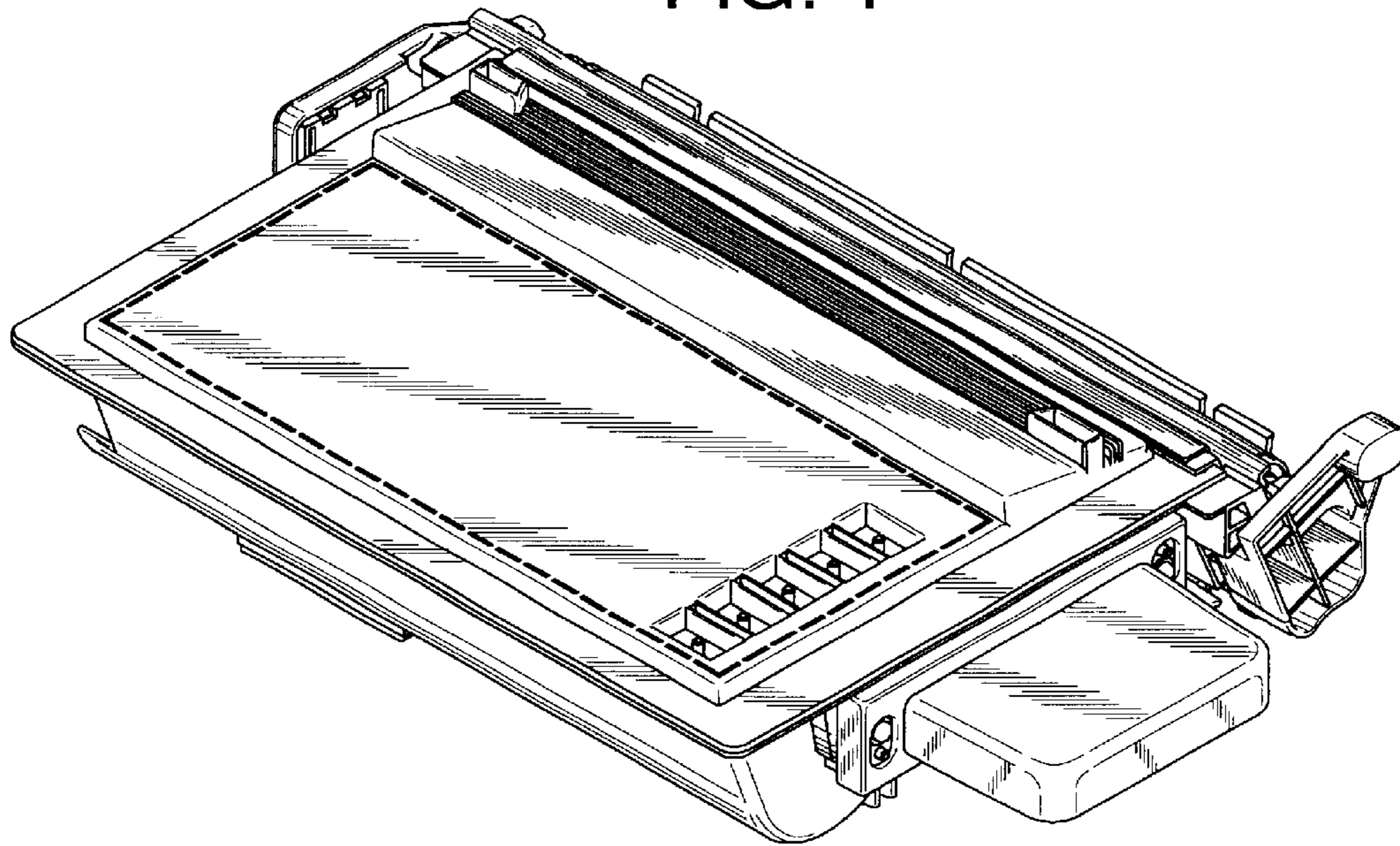


FIG. 2

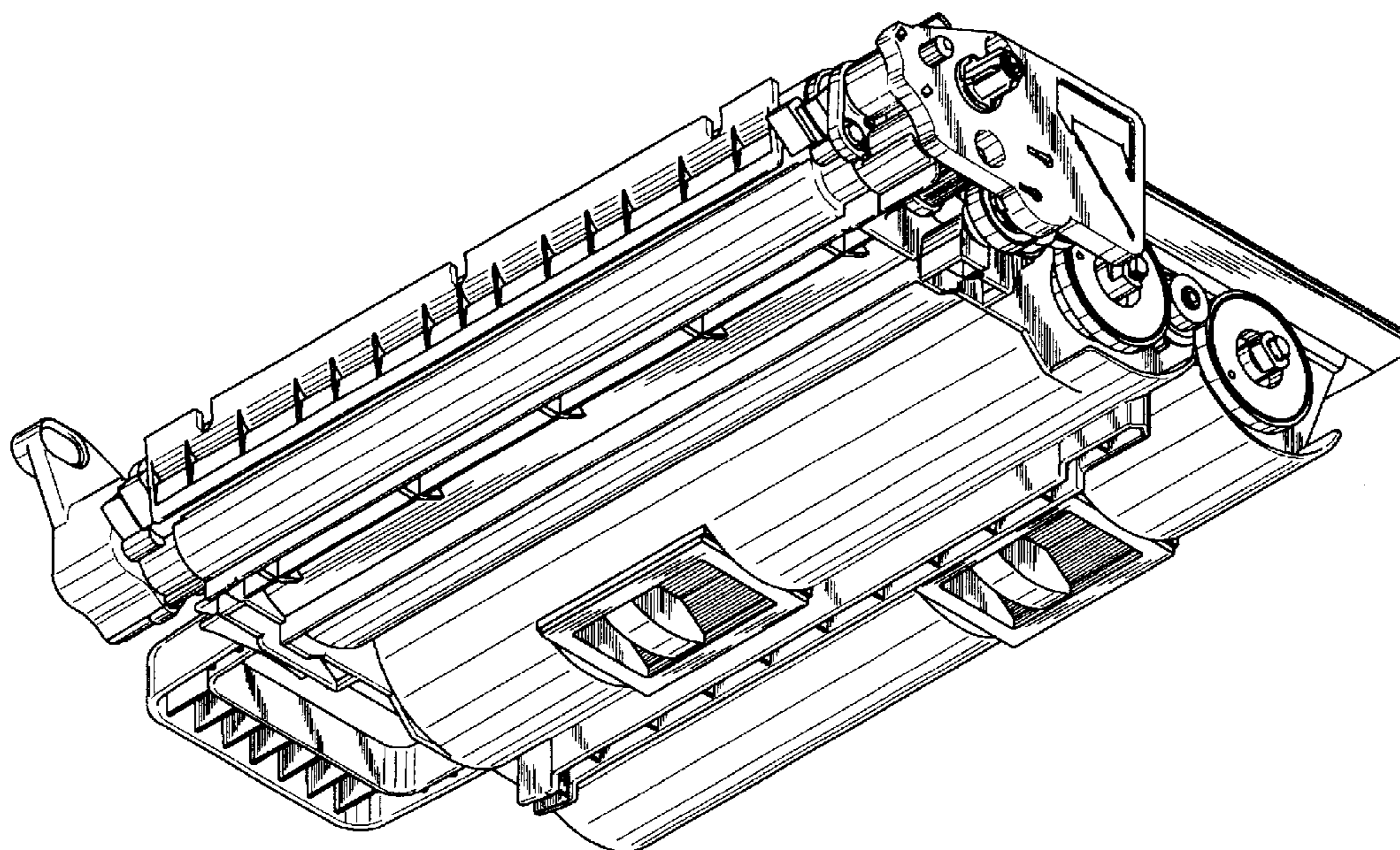


FIG. 3

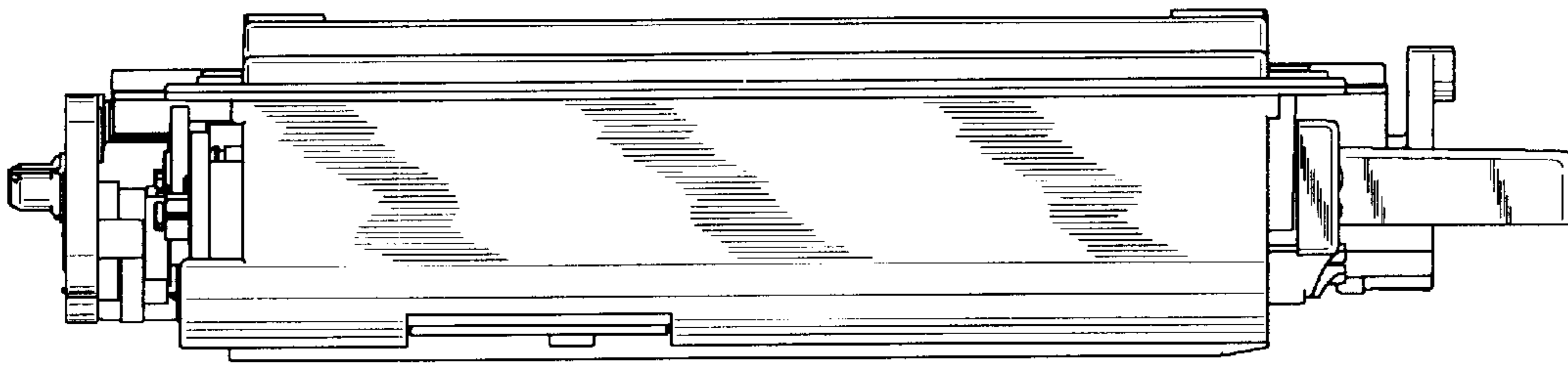


FIG. 4

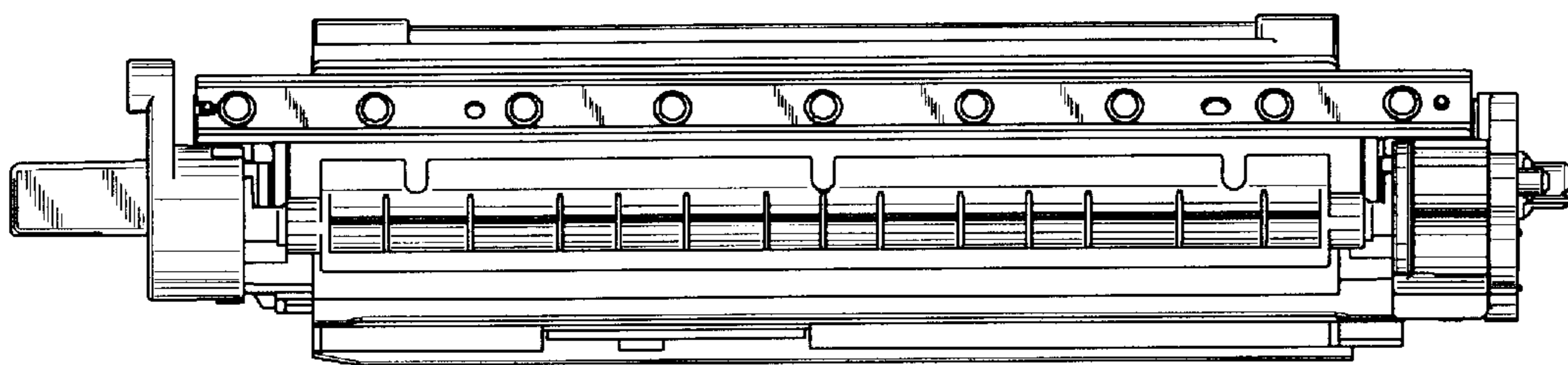


FIG. 5

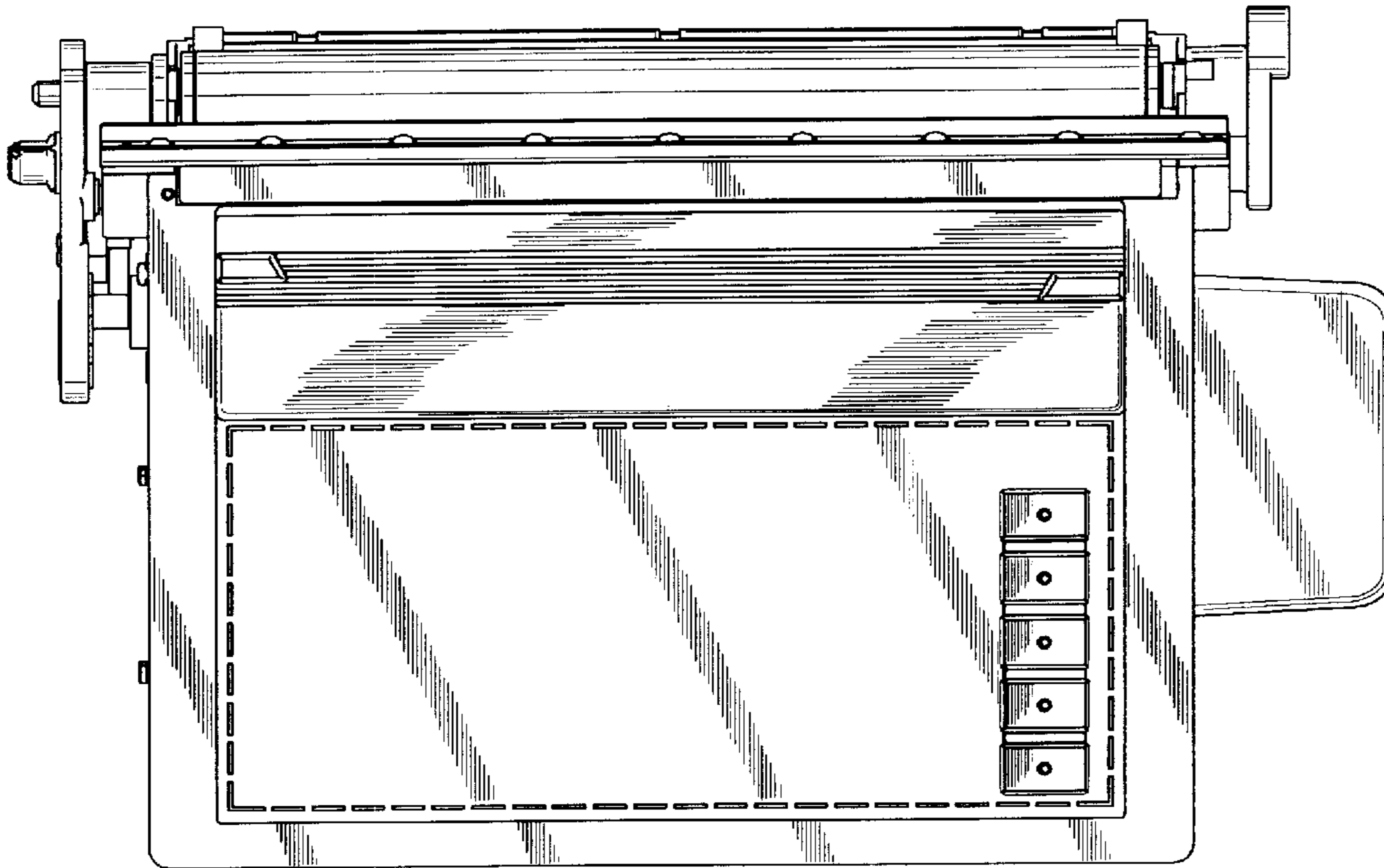


FIG. 6

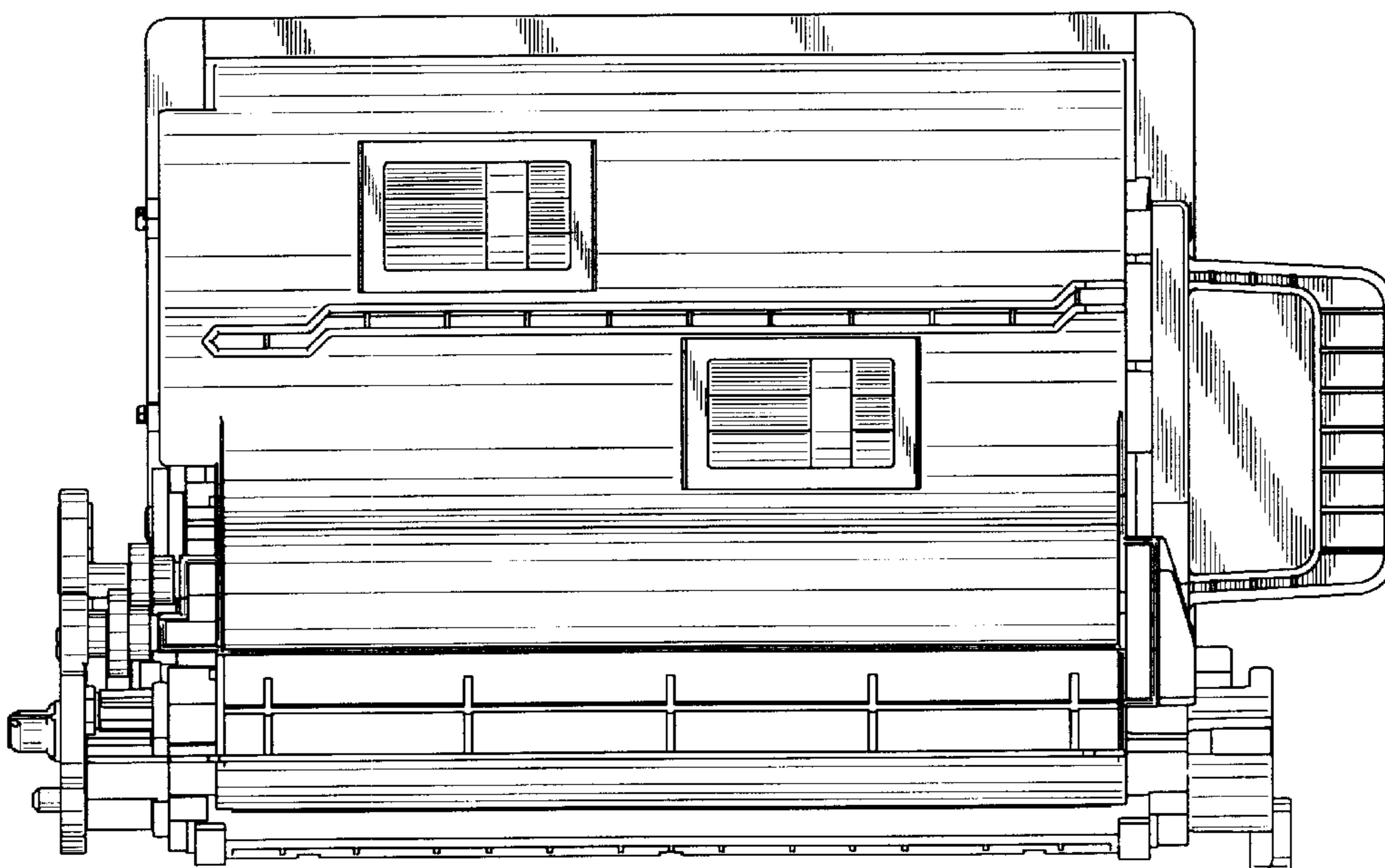


FIG. 7

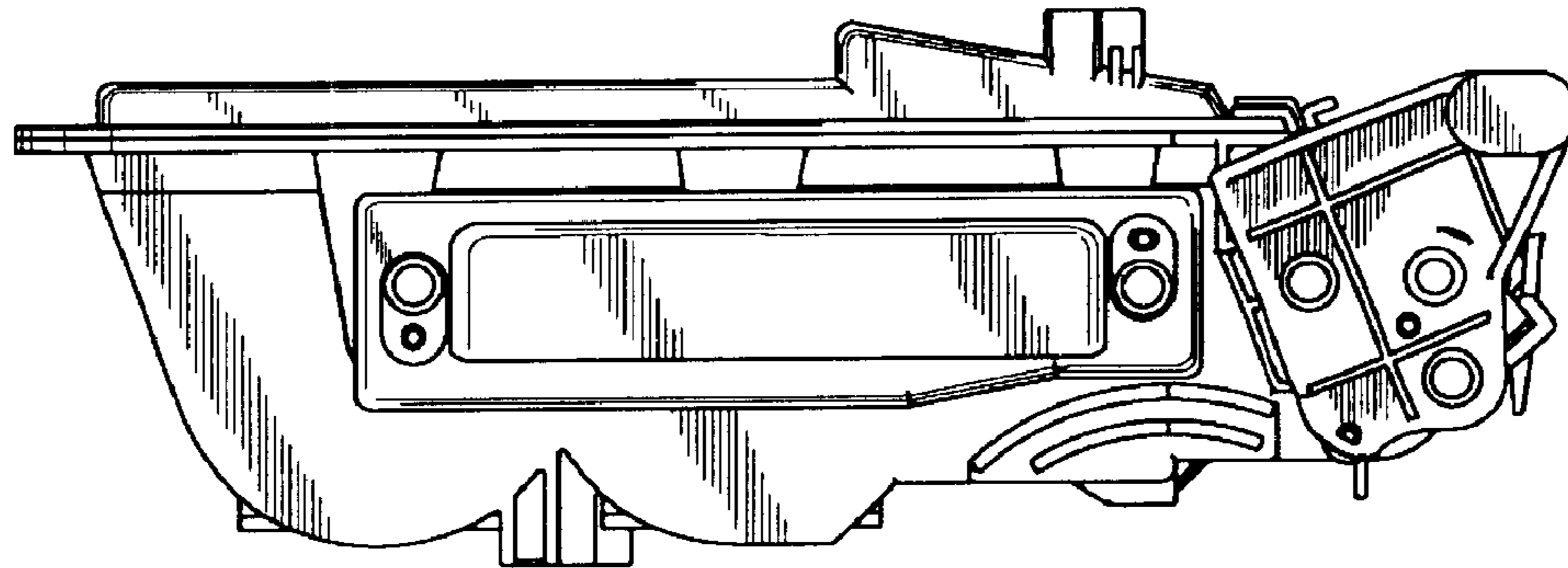


FIG. 8

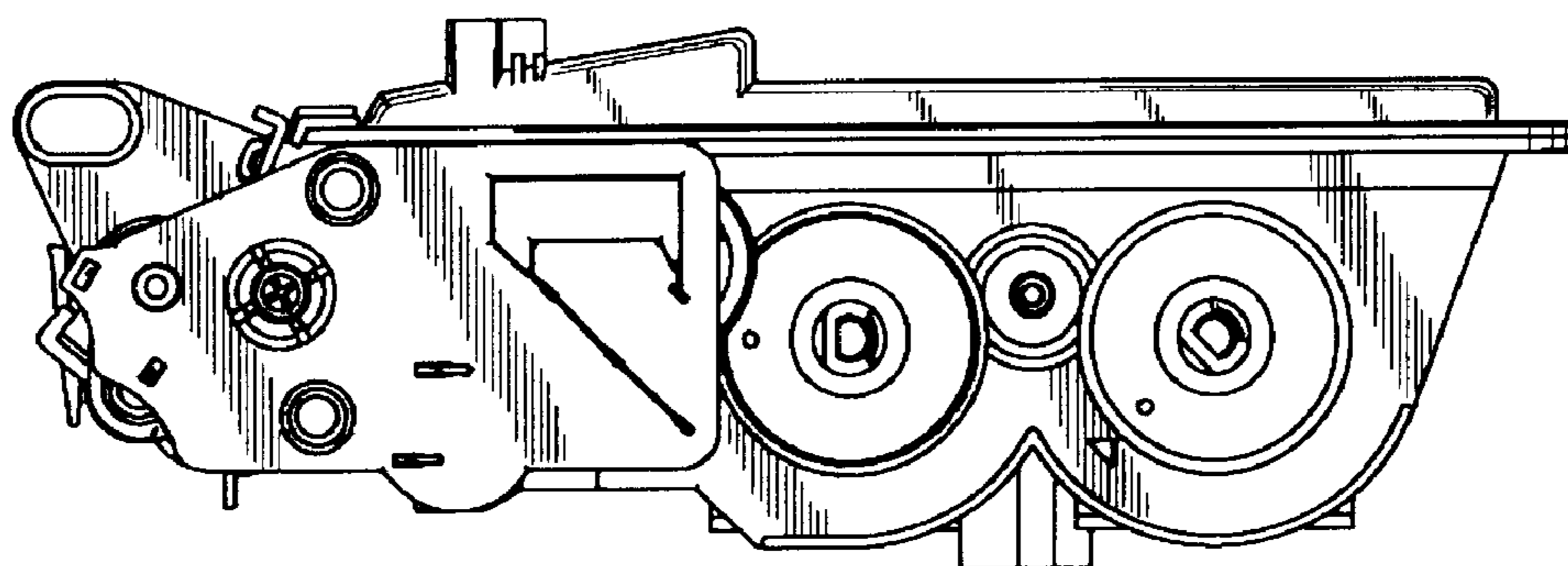


FIG. 9

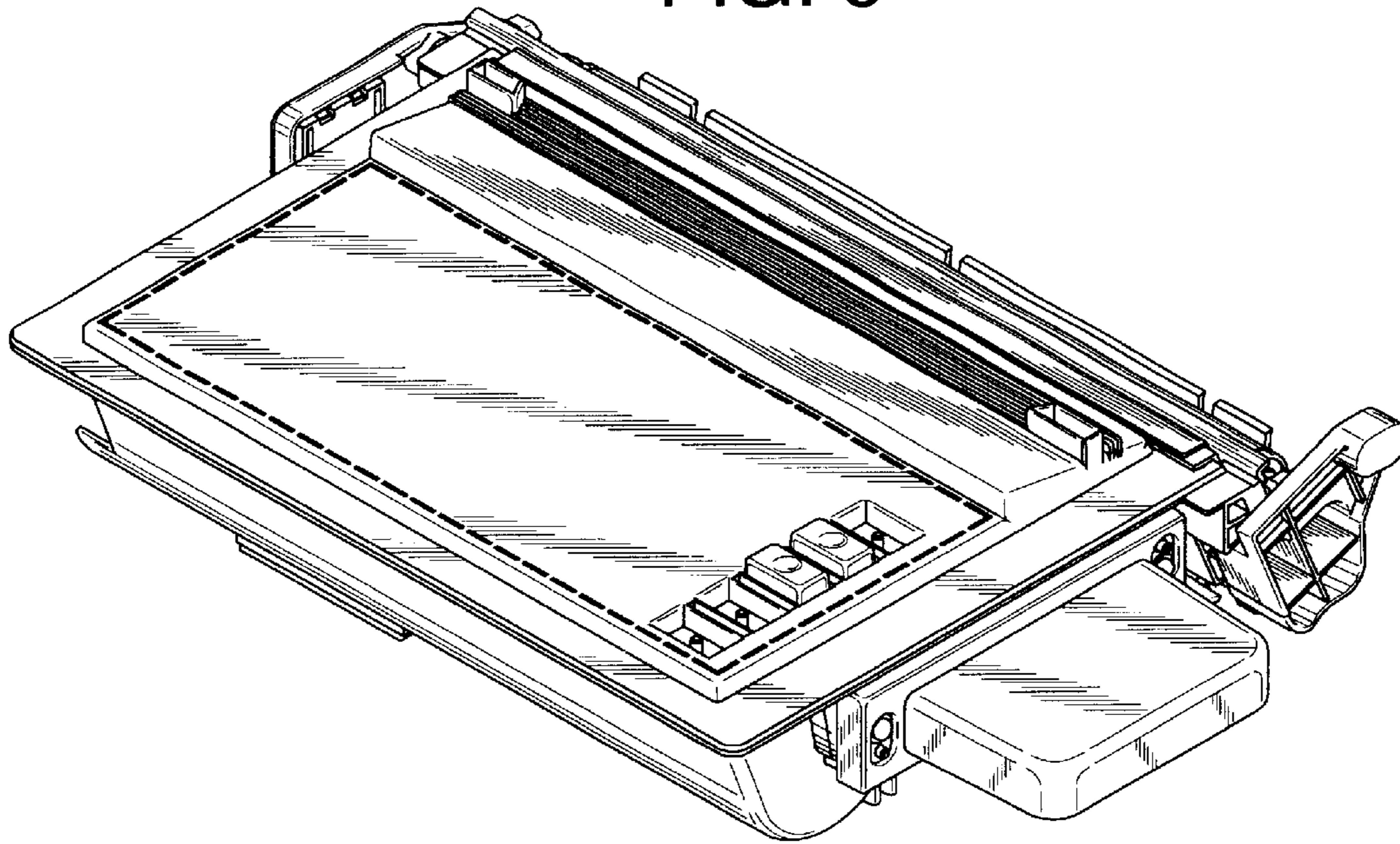


FIG. 10

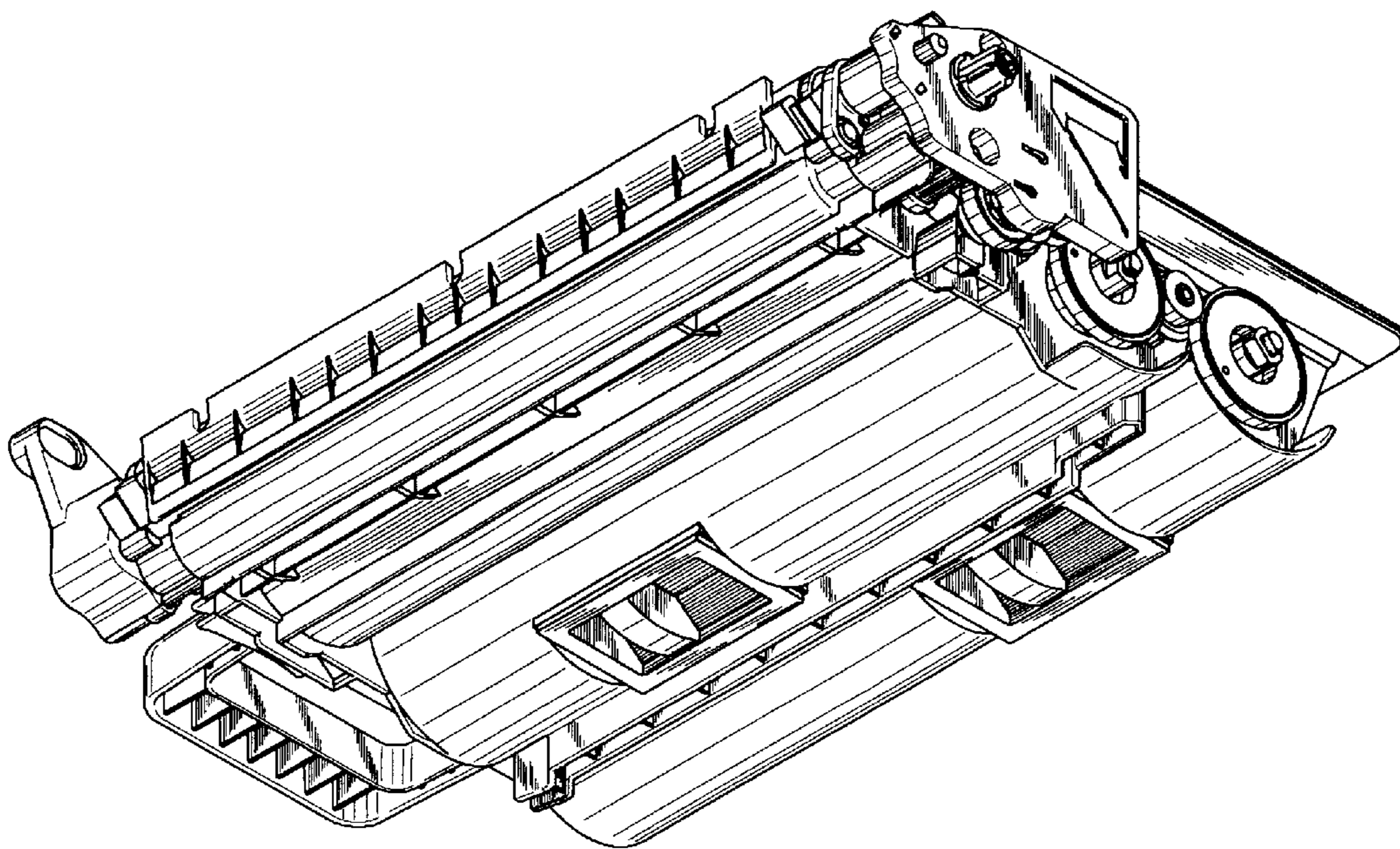


FIG. 11

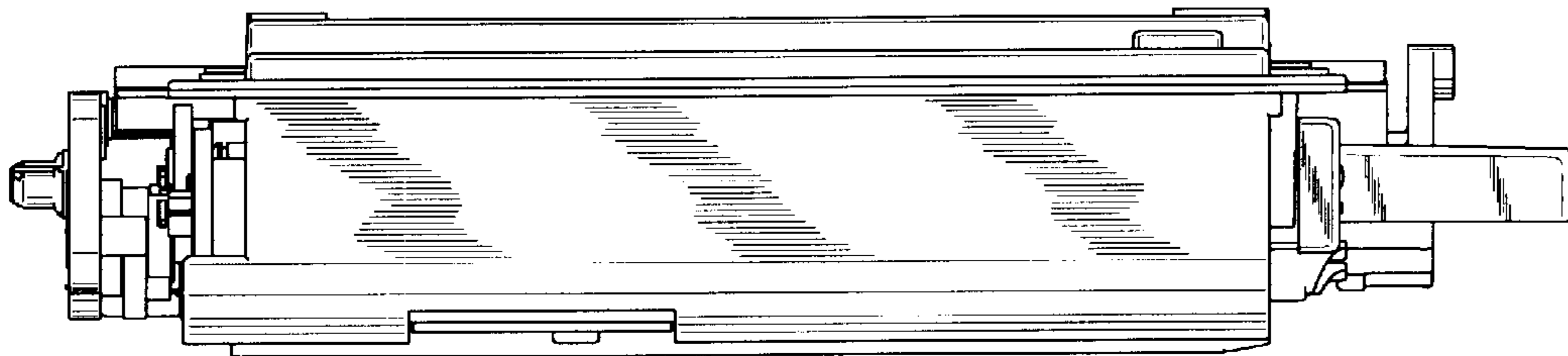


FIG. 12

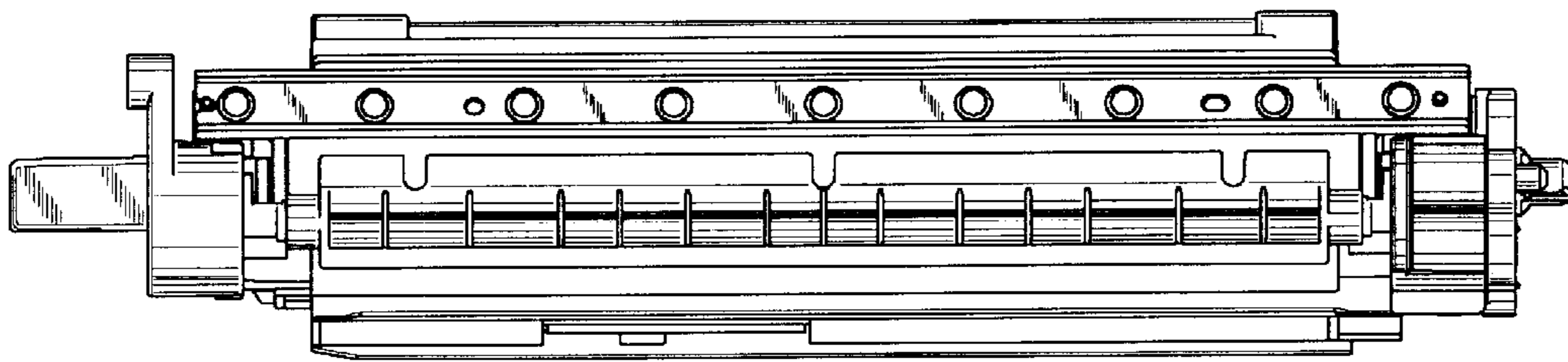


FIG. 13

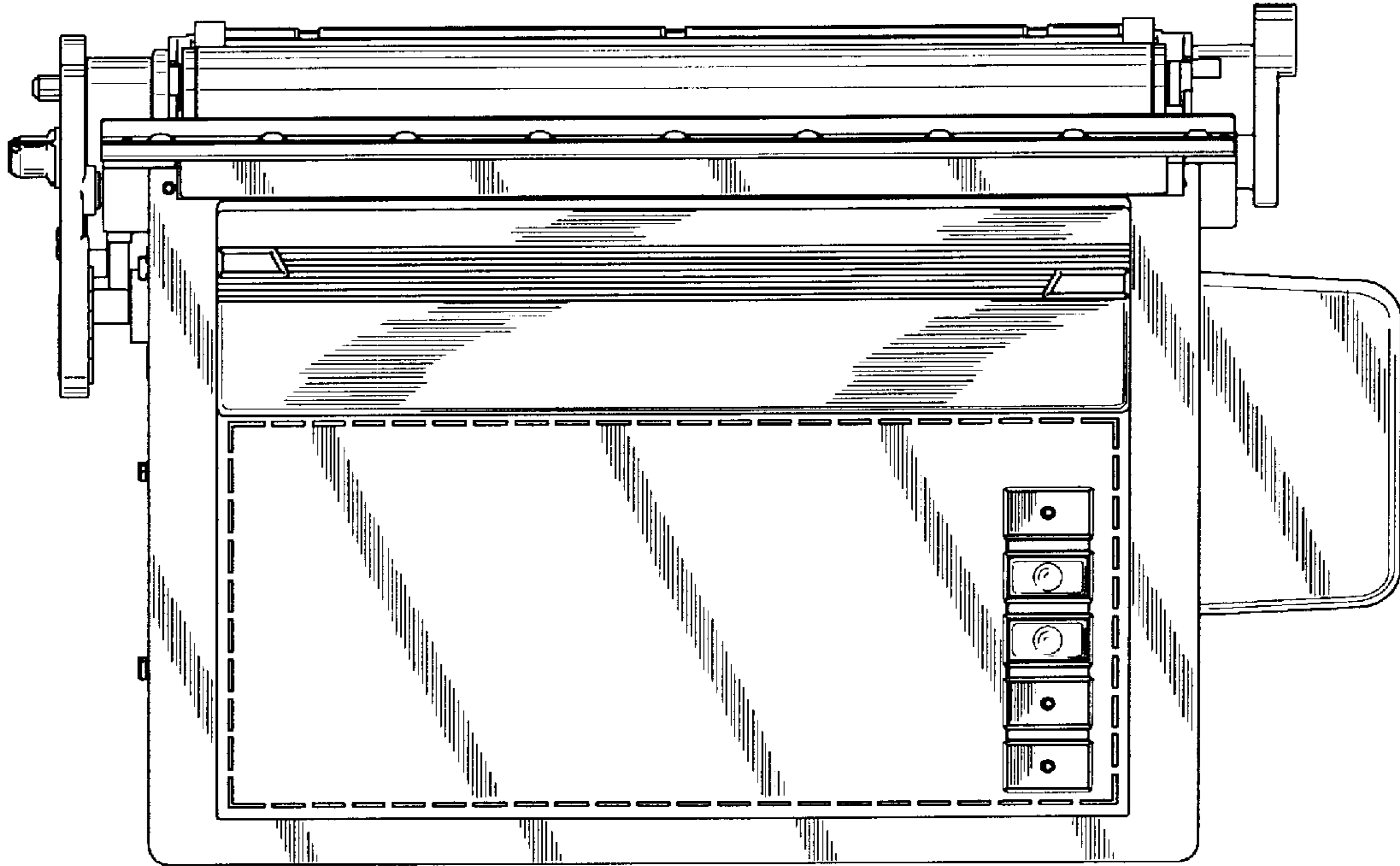


FIG. 14

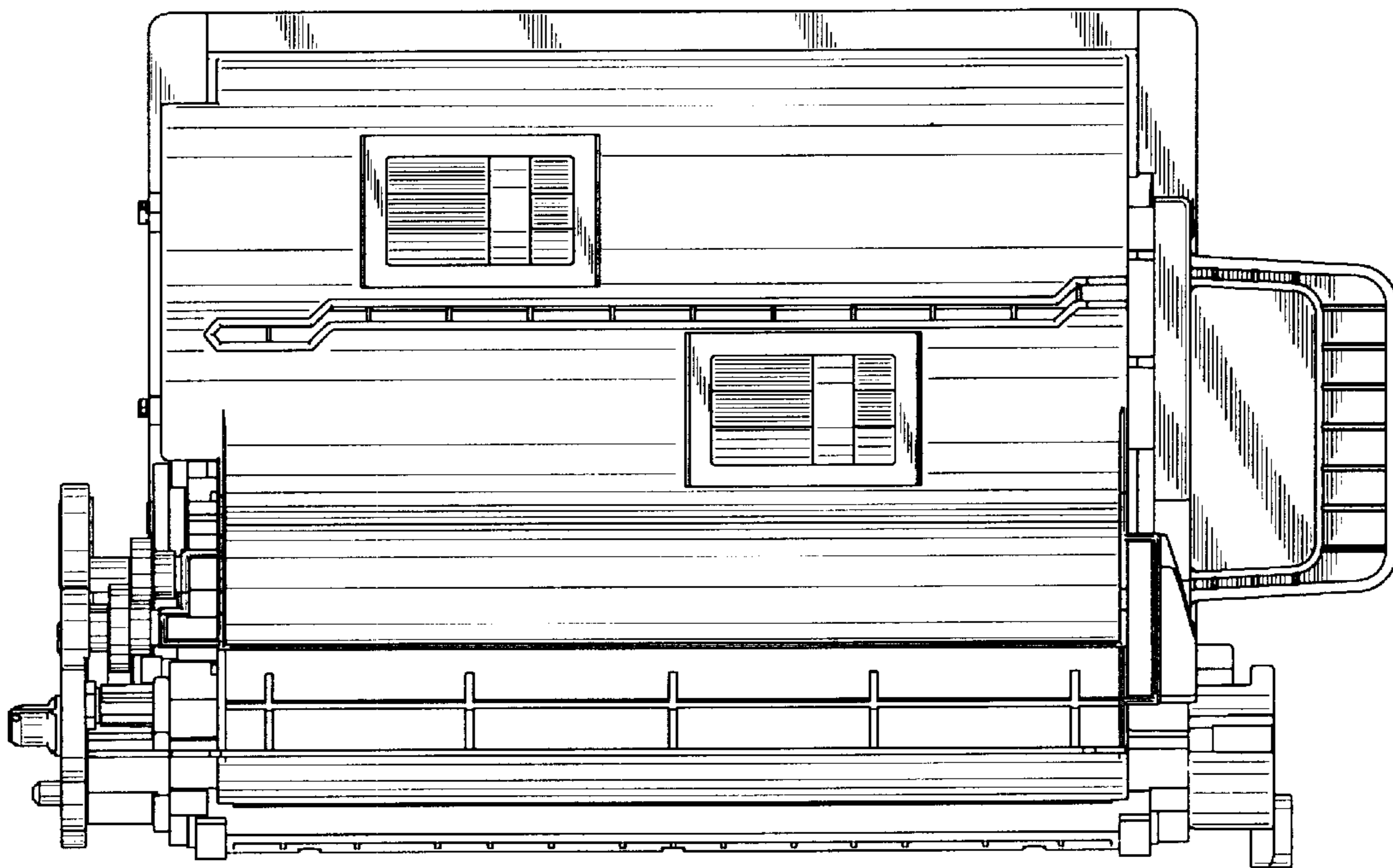


FIG. 15

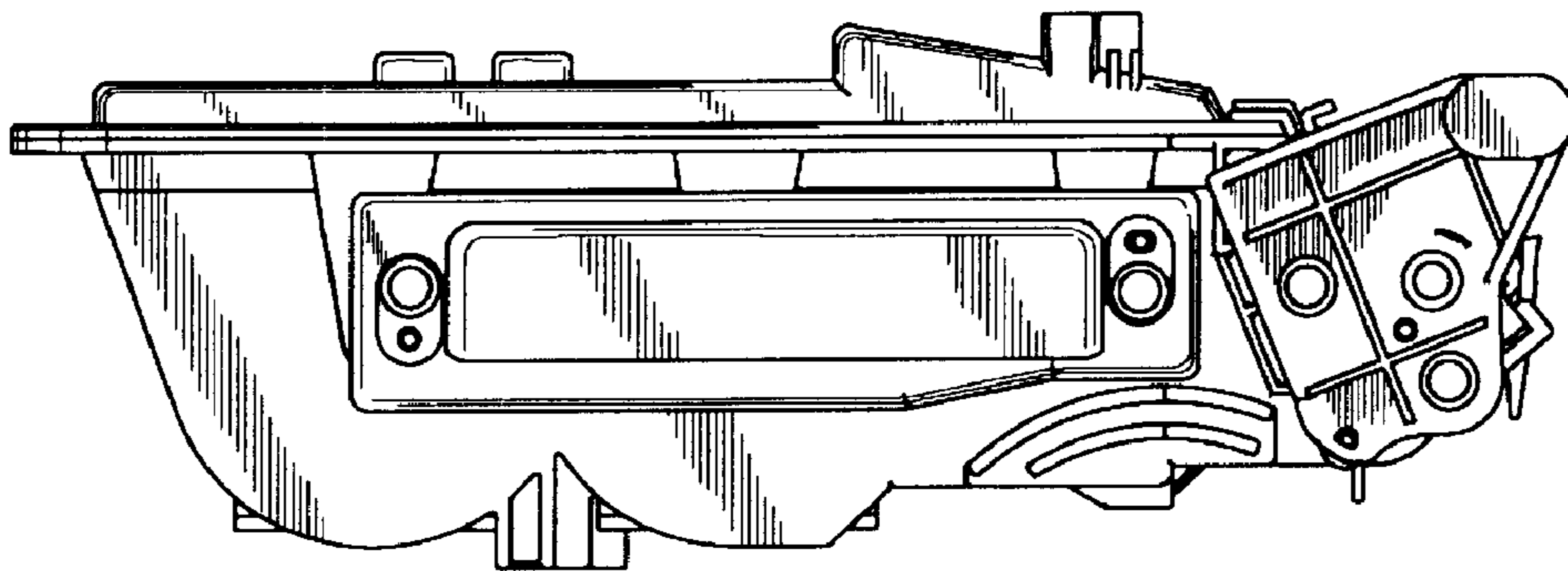


FIG. 16

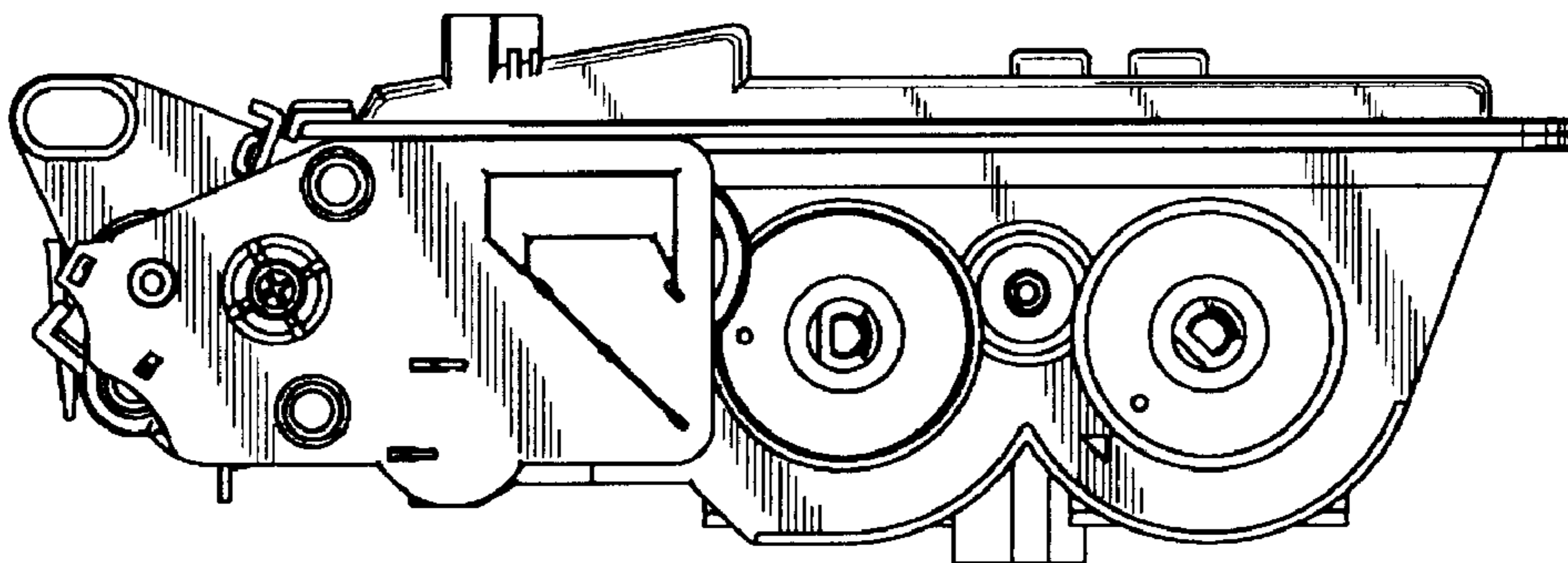


FIG. 17

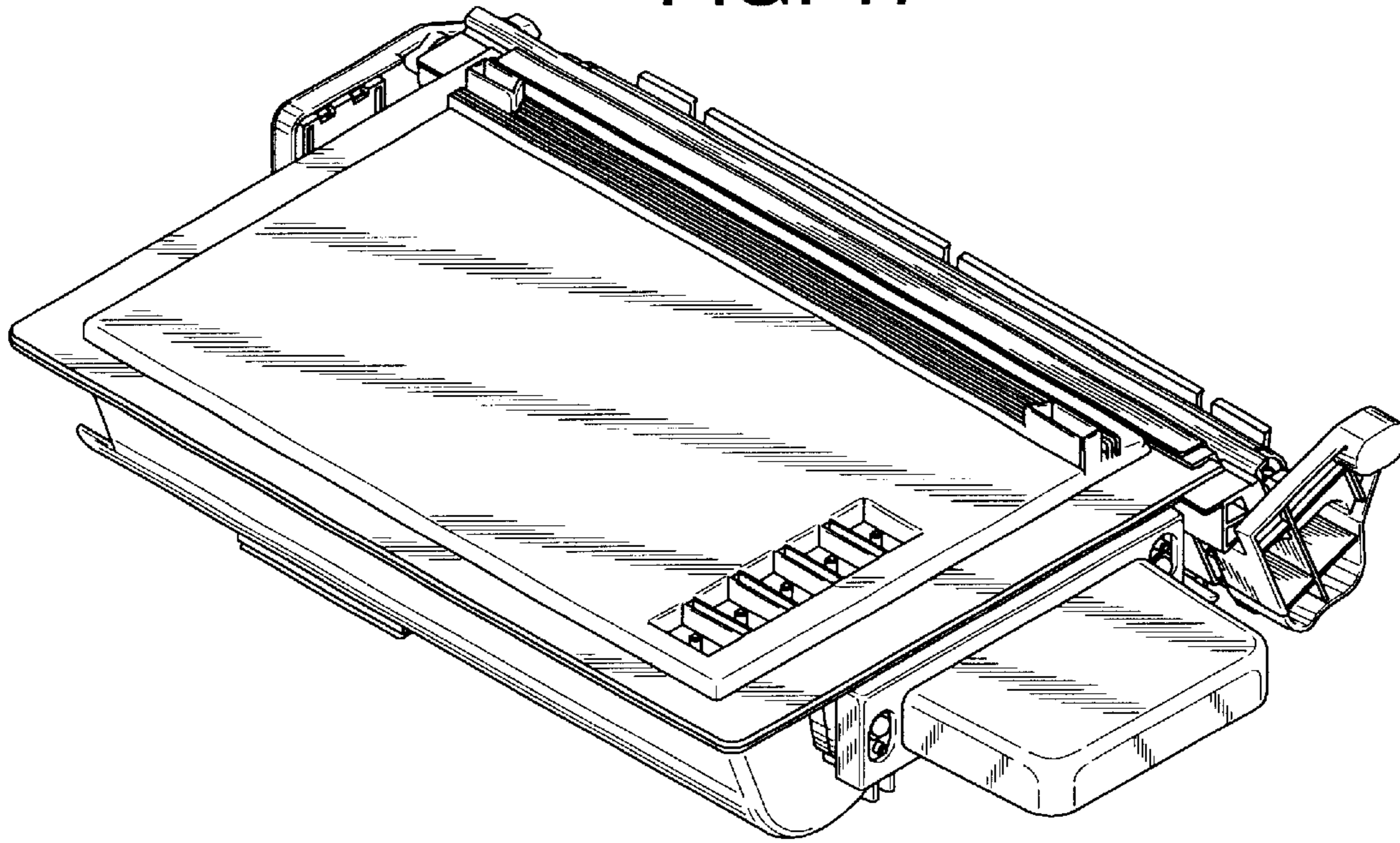


FIG. 18

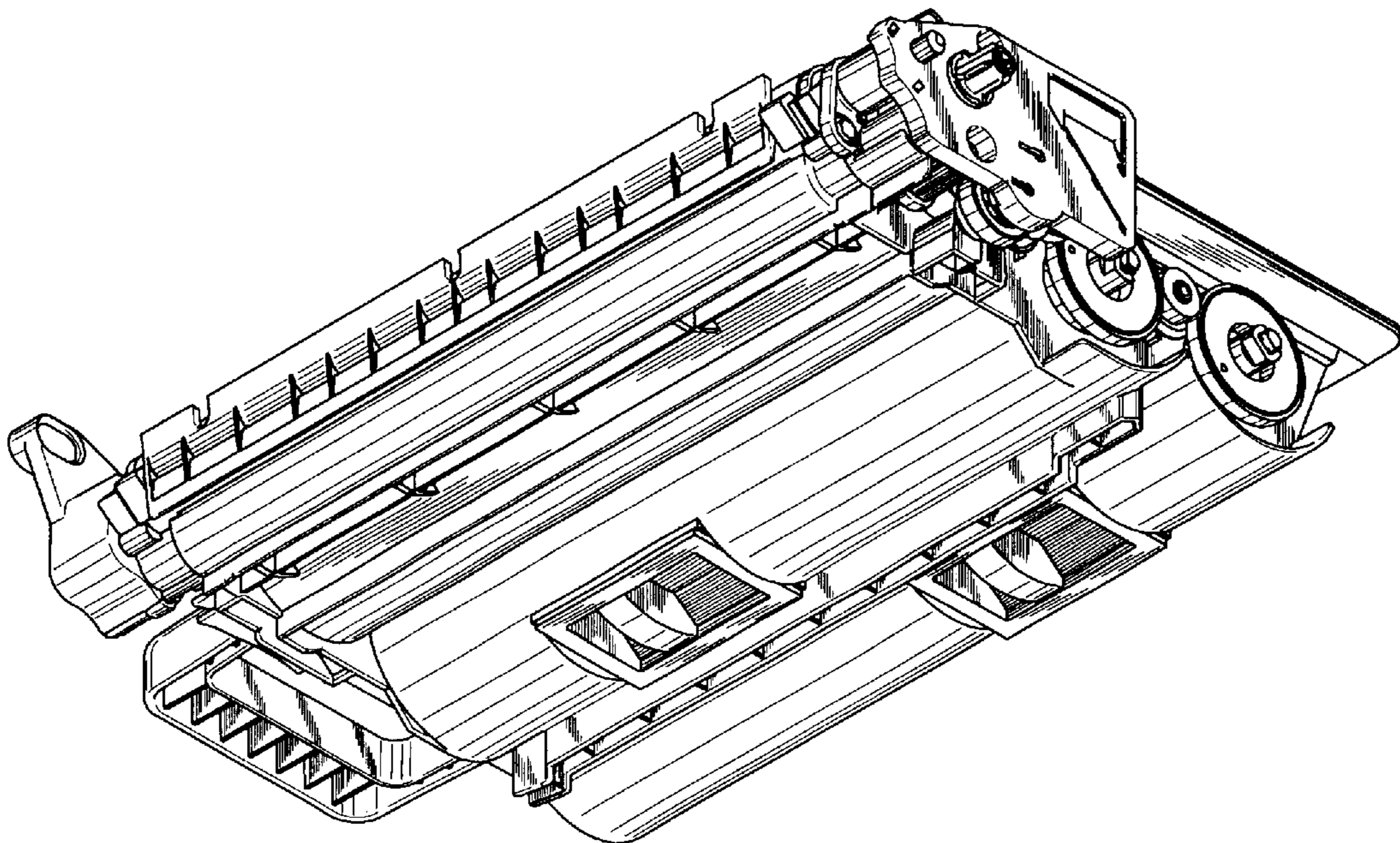


FIG. 19

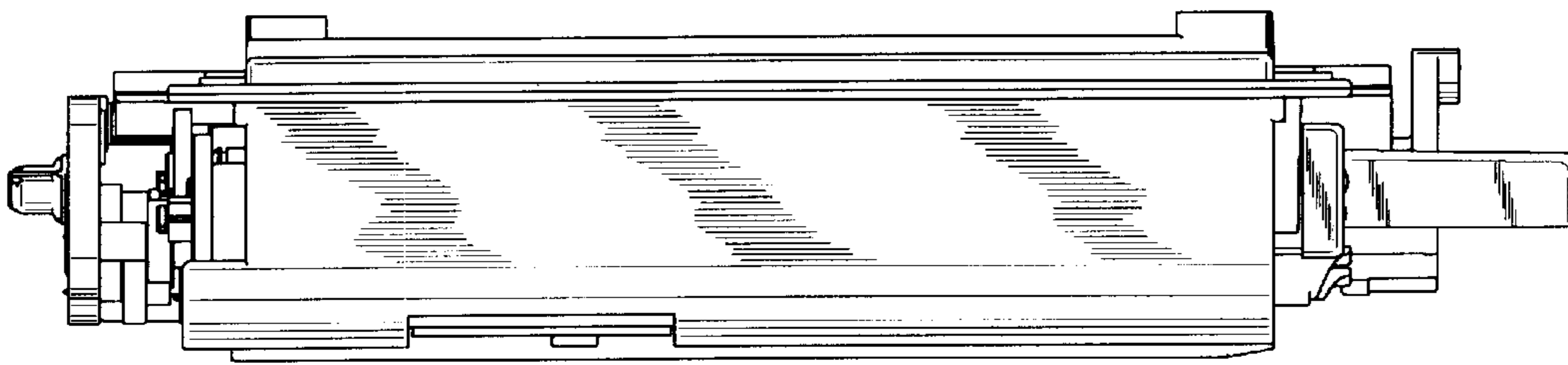


FIG. 20

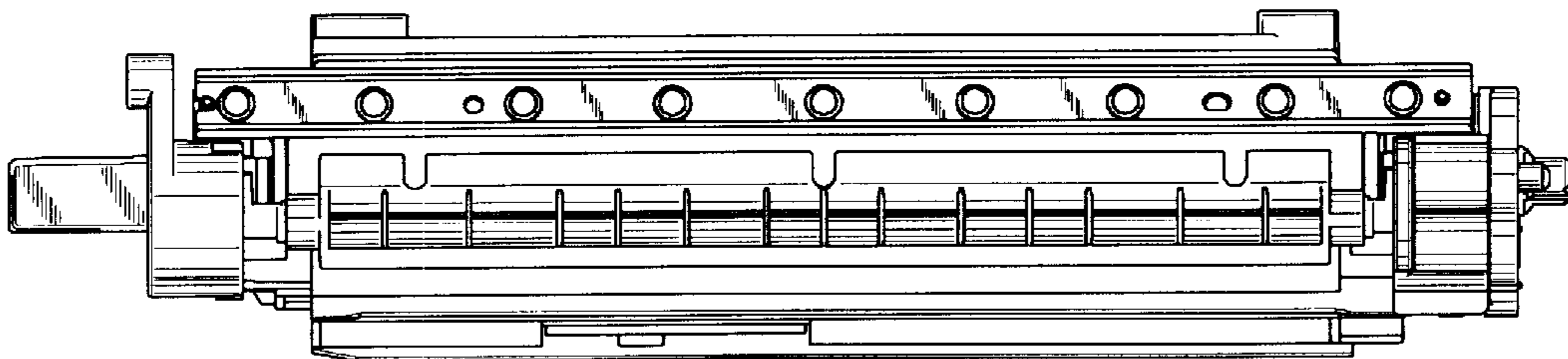


FIG. 21

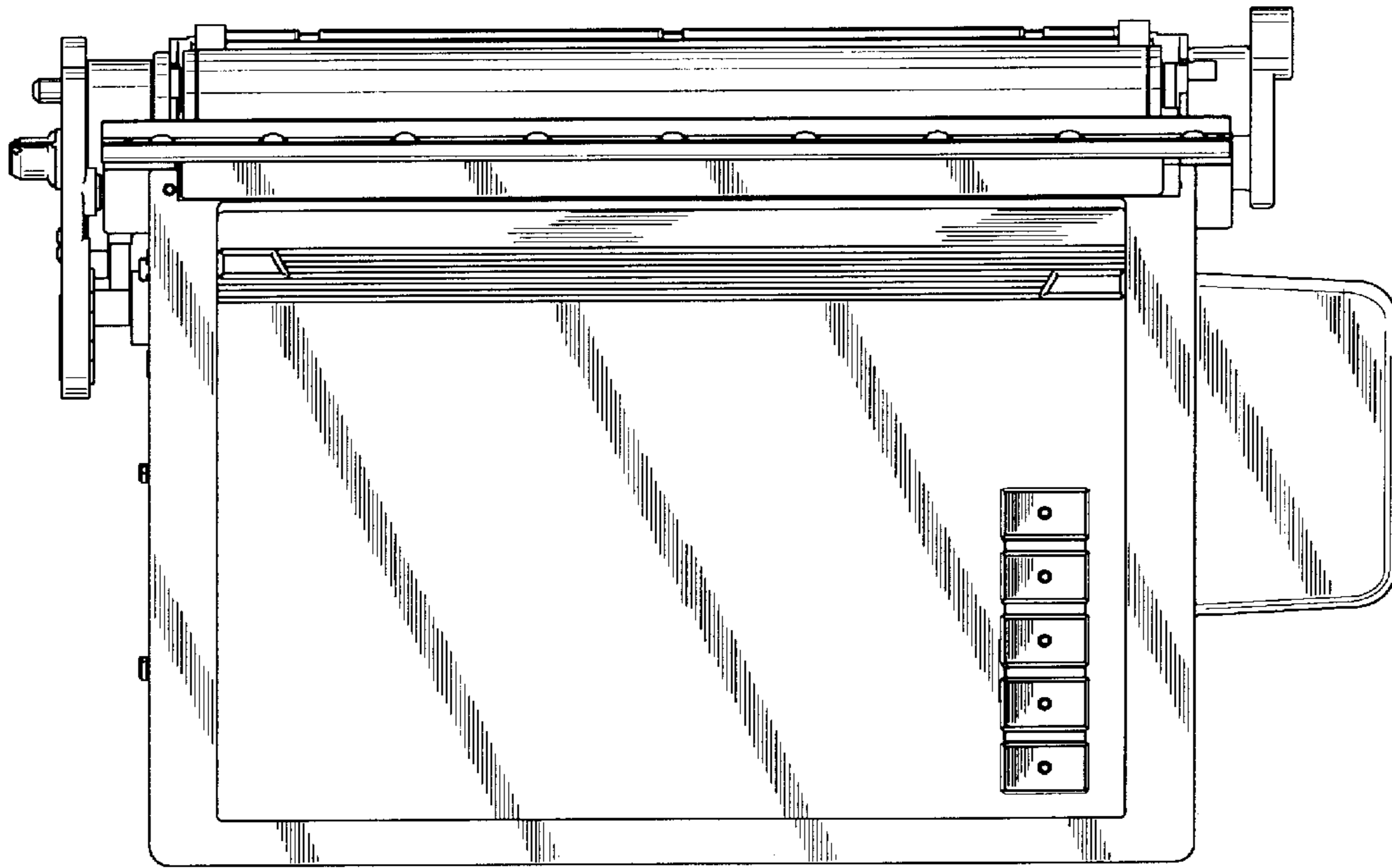


FIG. 22

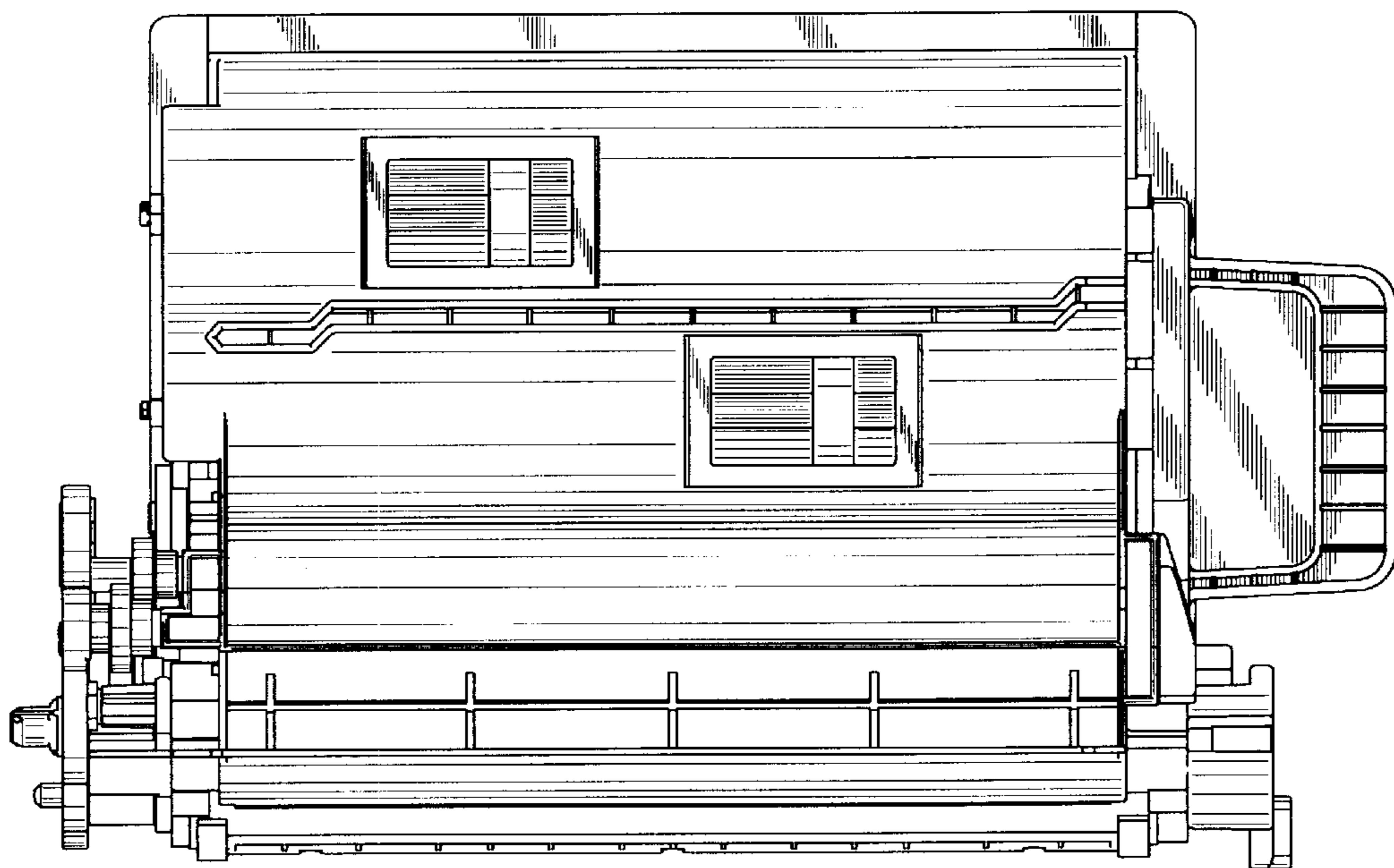


FIG. 23

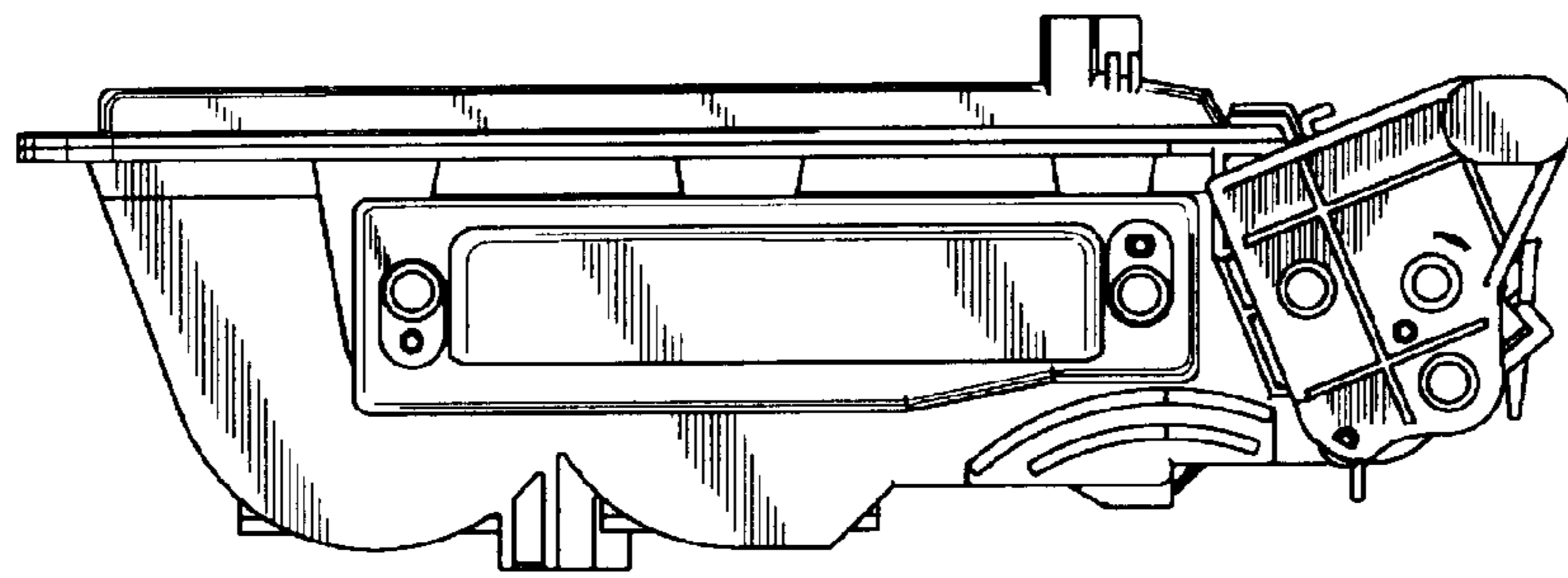


FIG. 24

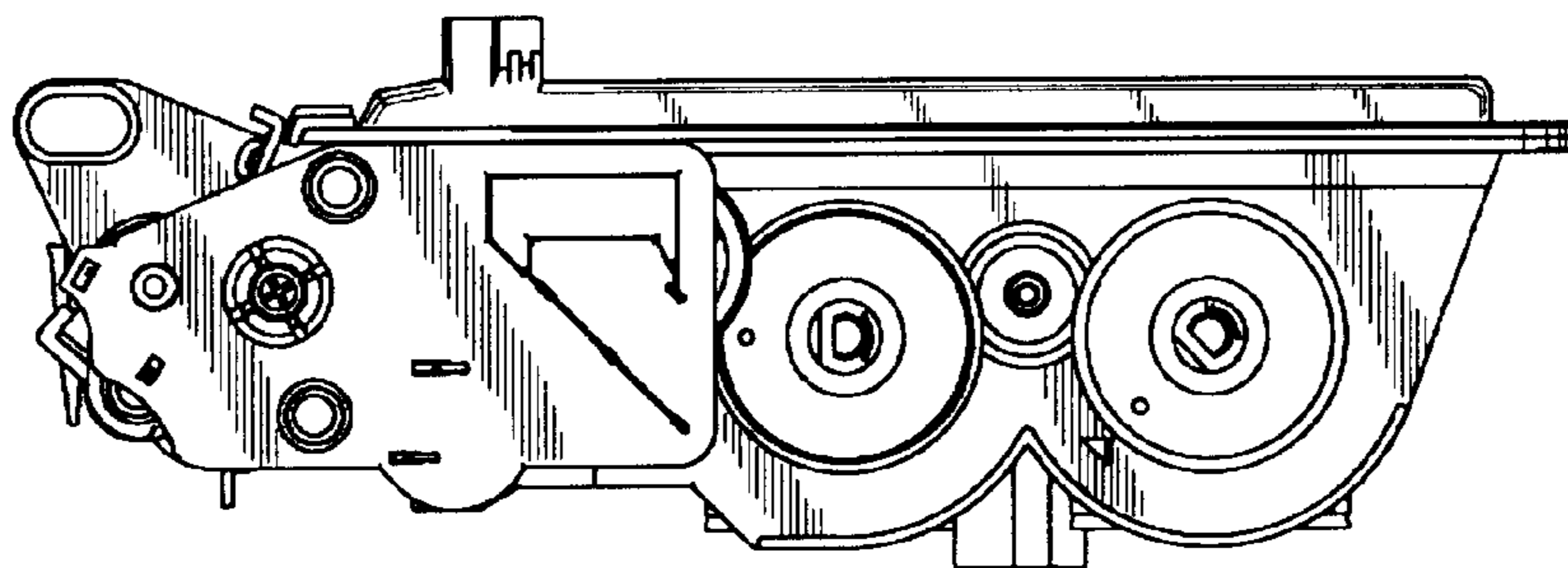


FIG. 25

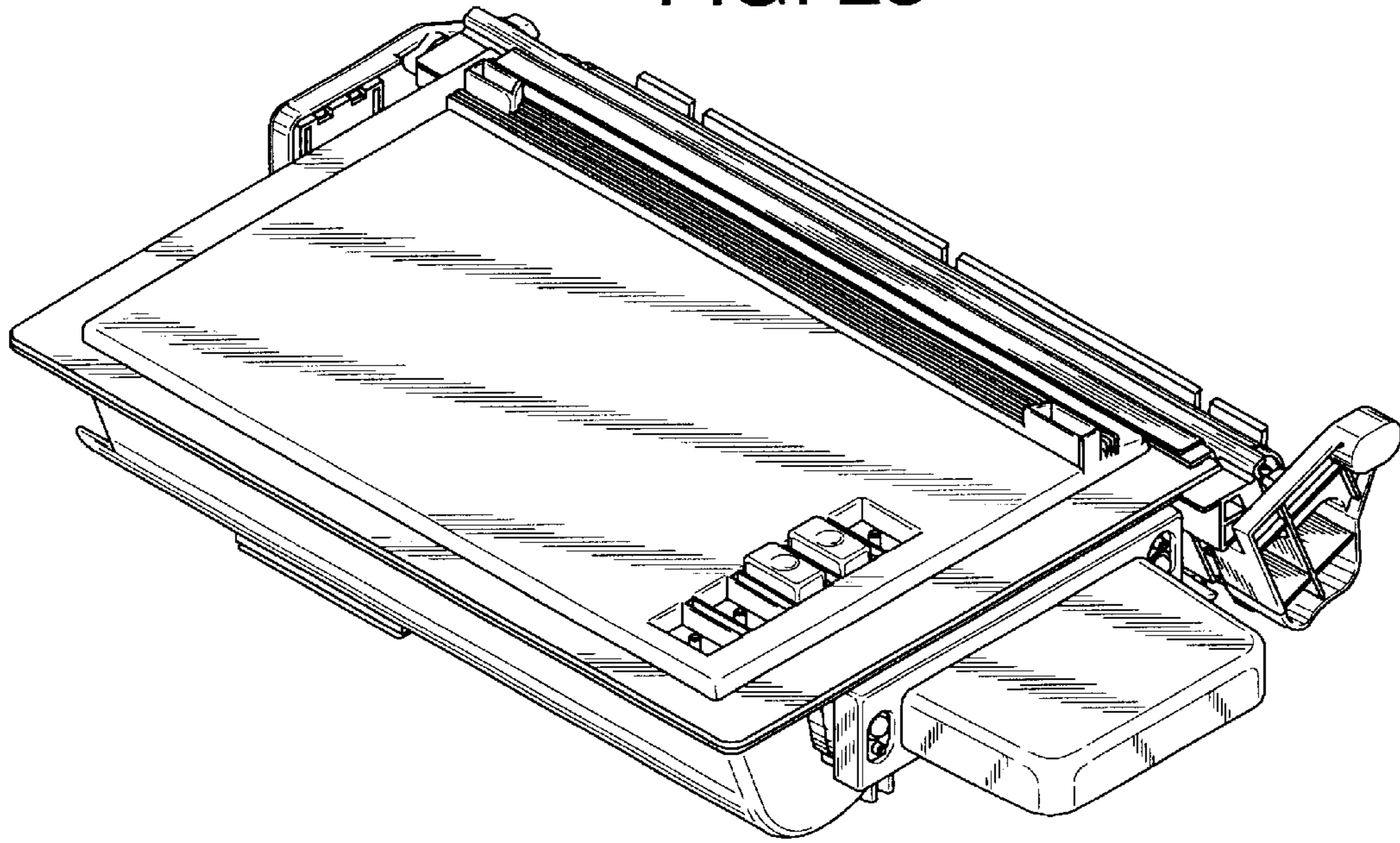


FIG. 26

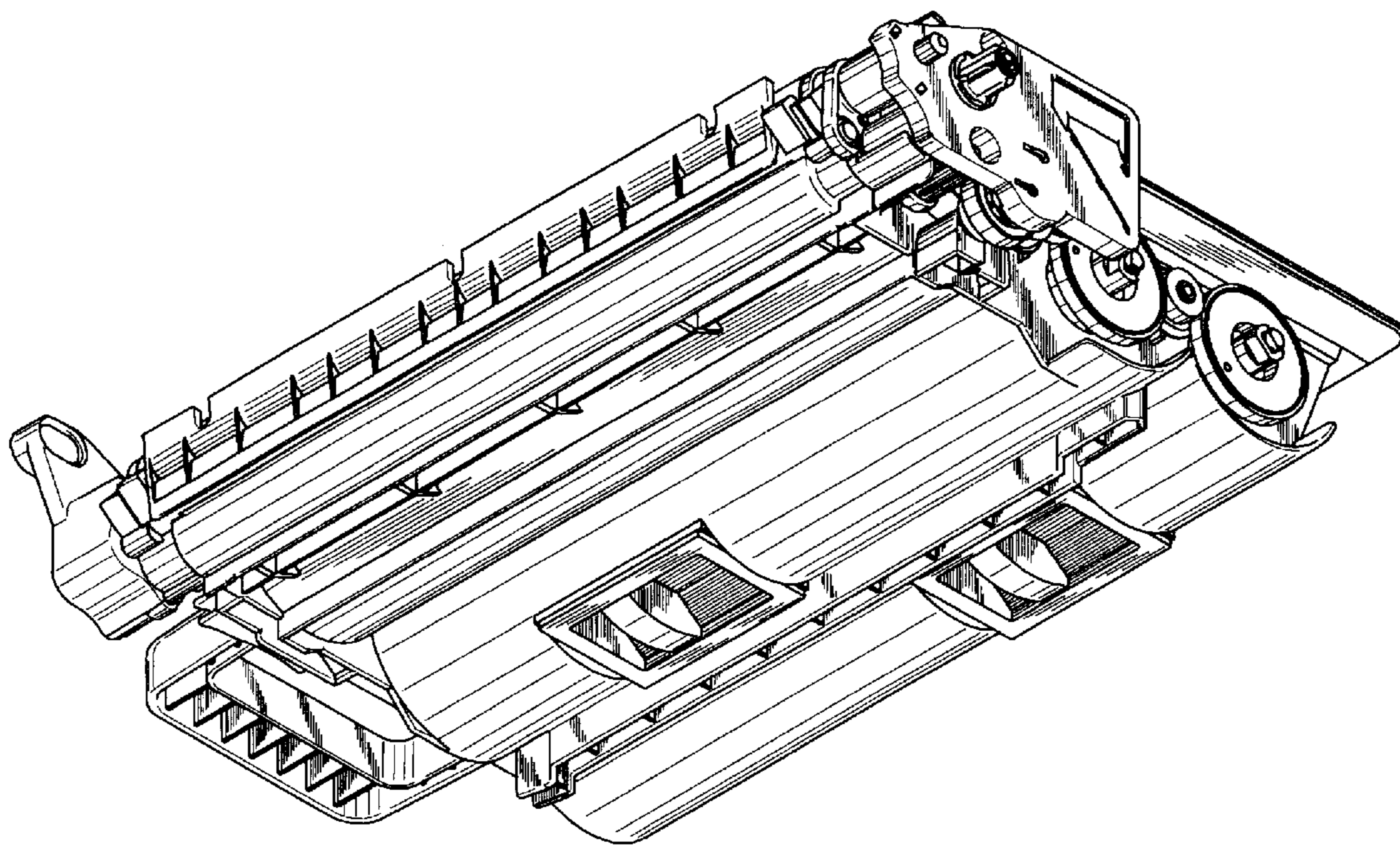


FIG. 27

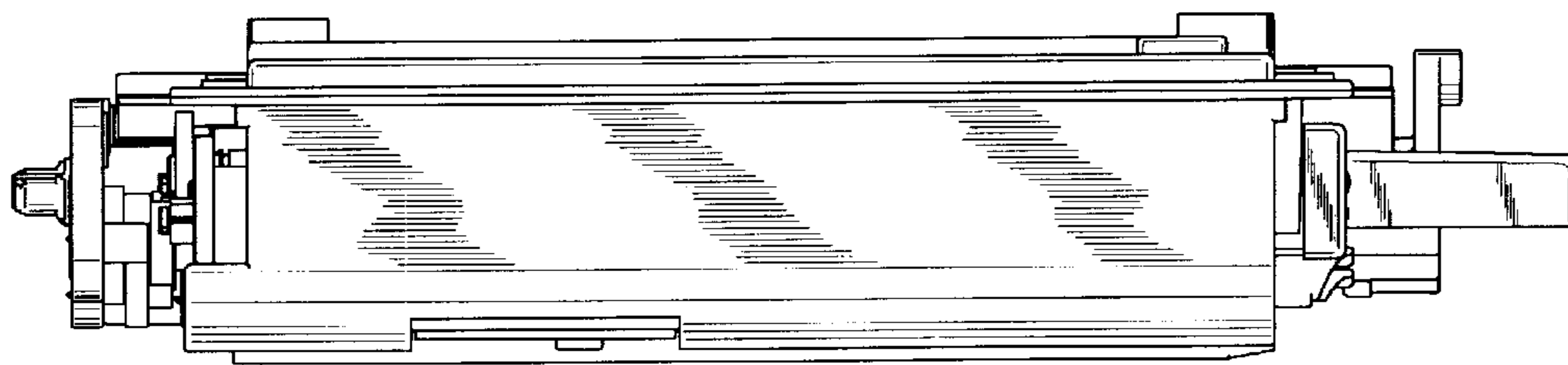


FIG. 28

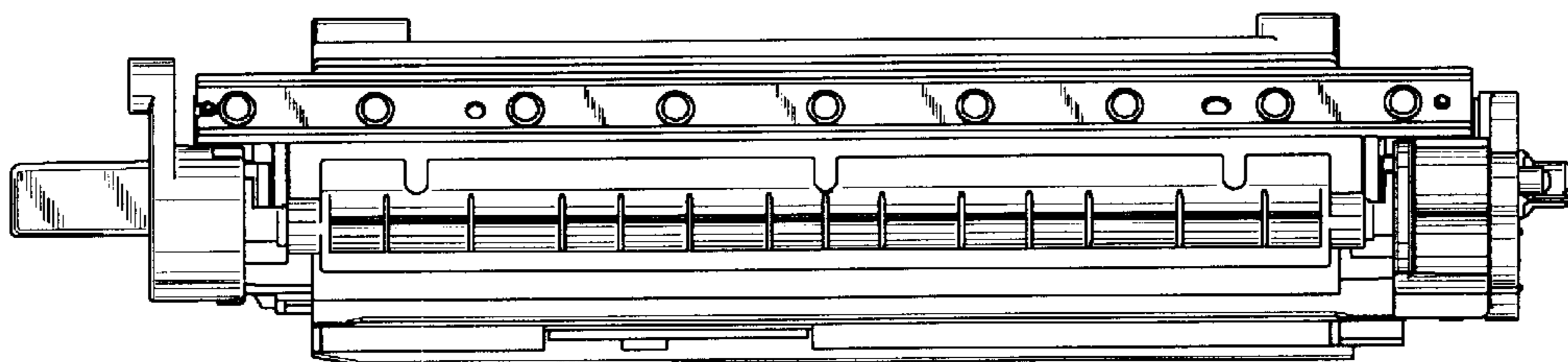


FIG. 29

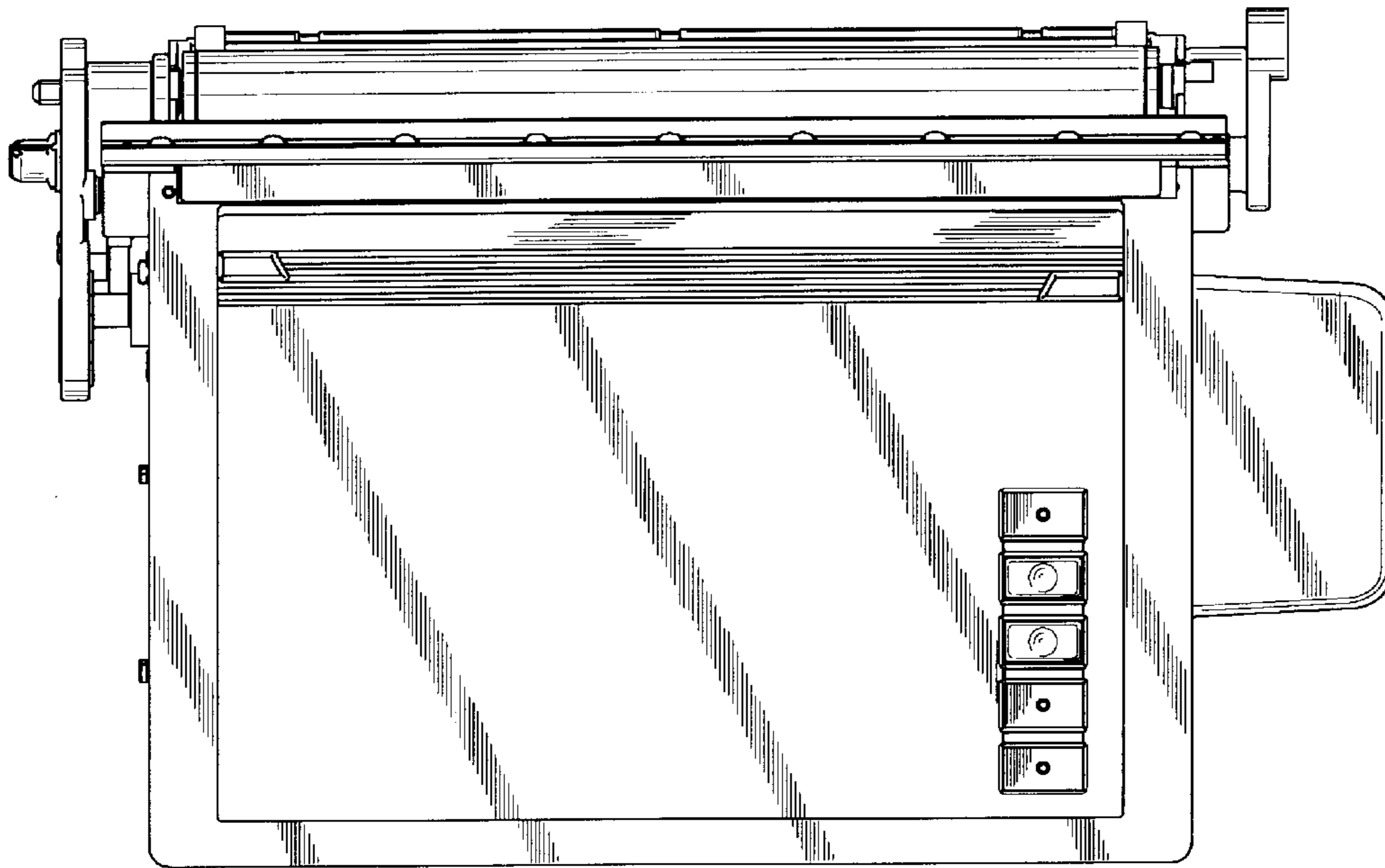


FIG. 30

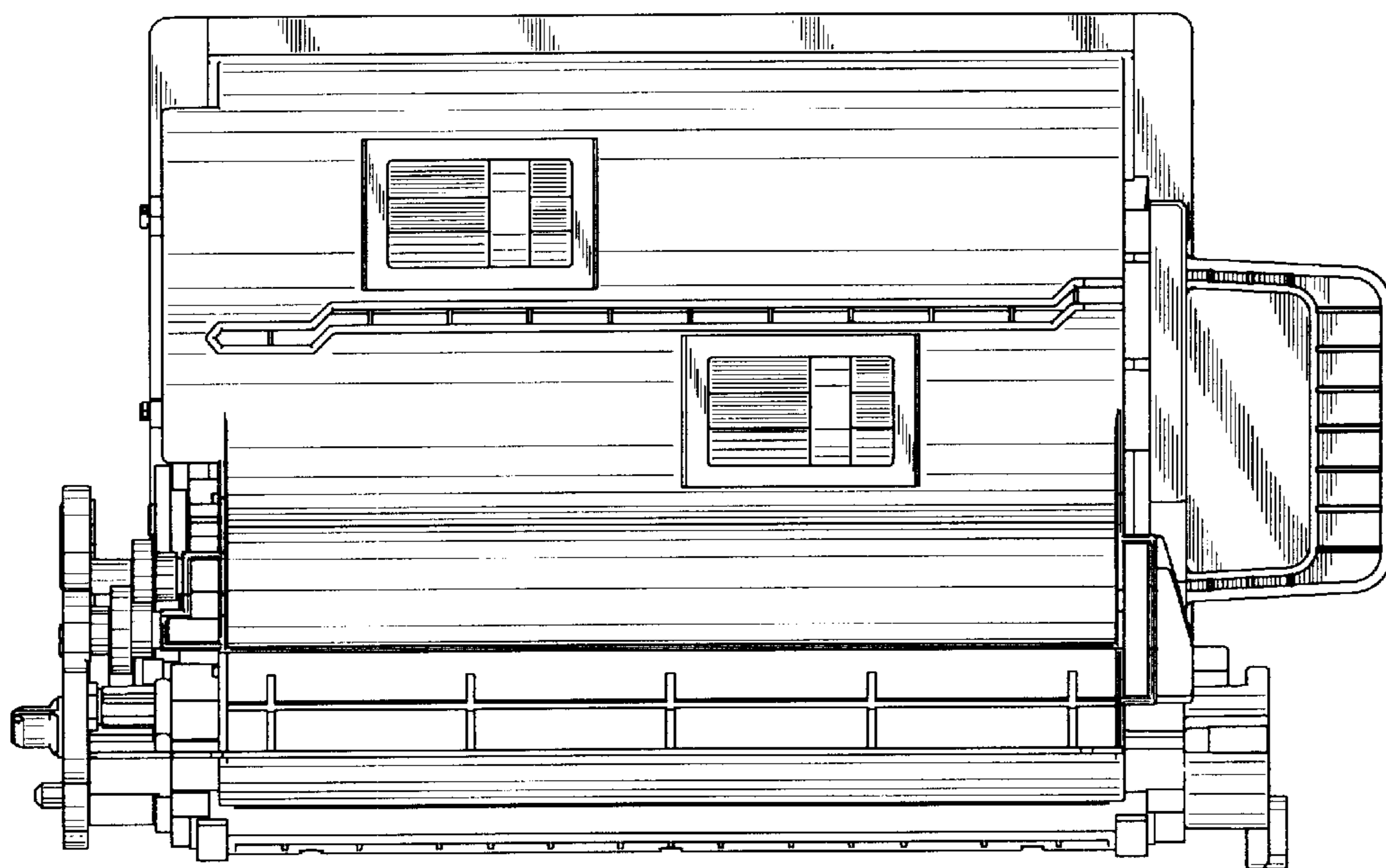


FIG. 31

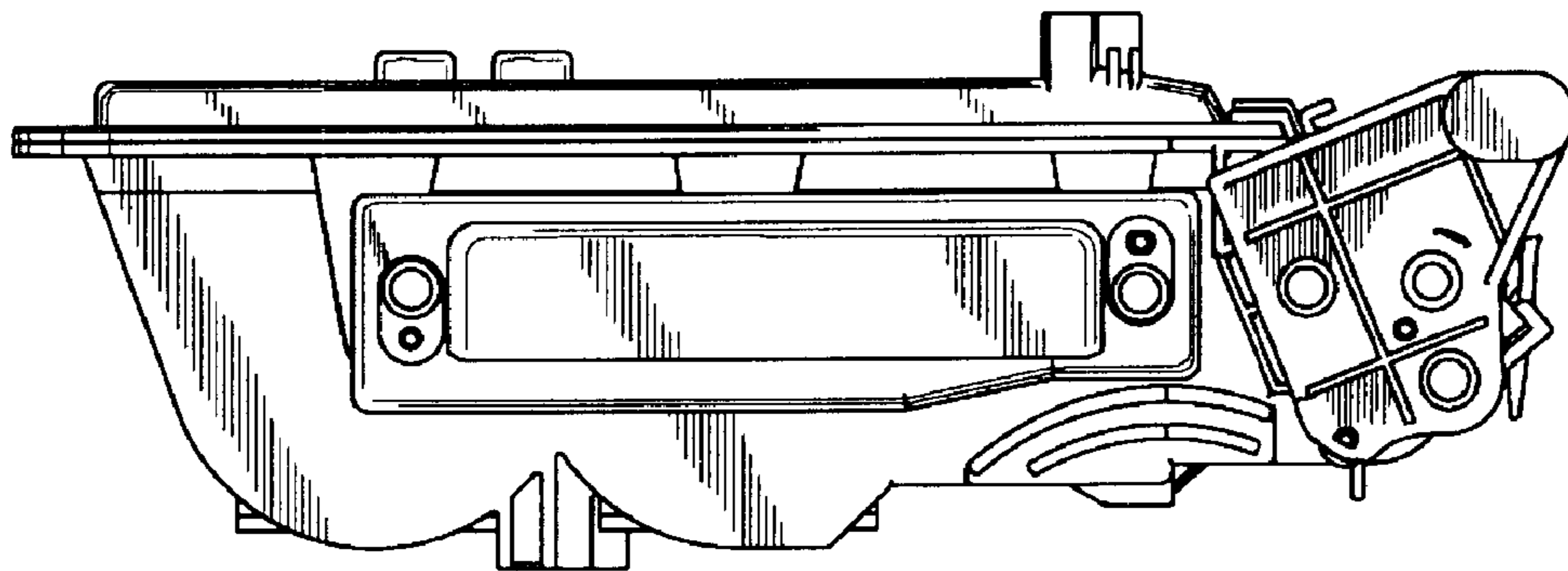


FIG. 32

