



US00D529540S

(12) **United States Design Patent**  
**Nakamura**

(10) **Patent No.:** **US D529,540 S**

(45) **Date of Patent:** **\*\* Oct. 3, 2006**

(54) **COVER FOR SLIDER ON A PAPER CUTTER**

(75) Inventor: **Tomoyoshi Nakamura**, Kamagaya (JP)

(73) Assignee: **Carl Manufacturing Co., Ltd.** (JP)

(\*\*) Term: **14 Years**

(21) Appl. No.: **29/217,663**

(22) Filed: **Nov. 19, 2004**

(51) **LOC (8) Cl.** ..... **18-04**

(52) **U.S. Cl.** ..... **D18/34.9; 18/4**

(58) **Field of Classification Search** ..... D18/34.3,  
D18/34.7, 34.8, 34.9; 83/167, 745, 544, 565,  
83/614, 485, 588; 30/151, 292, 294, 319;  
D10/64, 65; 297/452.42; D15/89; D12/174,  
D12/177; 241/836.1

See application file for complete search history.

(56) **References Cited**

U.S. PATENT DOCUMENTS

D48,341	S	*	12/1915	Winkler	.....	D12/174
D208,403	S	*	8/1967	Bisanar	.....	D12/174
D319,840	S	*	9/1991	Hatsumi et al.	.....	D18/34.8
5,069,097	A	*	12/1991	Mori	.....	83/56
D322,974	S	*	1/1992	Mori	.....	D18/34.8
D360,891	S	*	8/1995	Birkholz et al.	.....	D18/34.9
D360,892	S	*	8/1995	Birkholz et al.	.....	D18/34.9
D381,359	S	*	7/1997	Mori	.....	D18/34.8
D387,377	S	*	12/1997	Daley, Jr.	.....	D18/34.8
D415,519	S	*	10/1999	Mori	.....	D18/34.8
6,675,689	B1	*	1/2004	Nunez et al.	.....	83/745
6,786,123	B1	*	9/2004	Chen	.....	83/485

2002/0096931	A1	*	7/2002	White et al.	.....	297/452.42
2003/0154835	A1	*	8/2003	Nunez et al.	.....	83/614
2005/0172774	A1	*	8/2005	Tseng	.....	83/614

\* cited by examiner

*Primary Examiner*—Charles A. Rademaker

(74) *Attorney, Agent, or Firm*—Wood, Phillips, Katz, Clark & Mortimer

(57) **CLAIM**

The ornamental design for a cover for slider on a paper cutter, as shown and described.

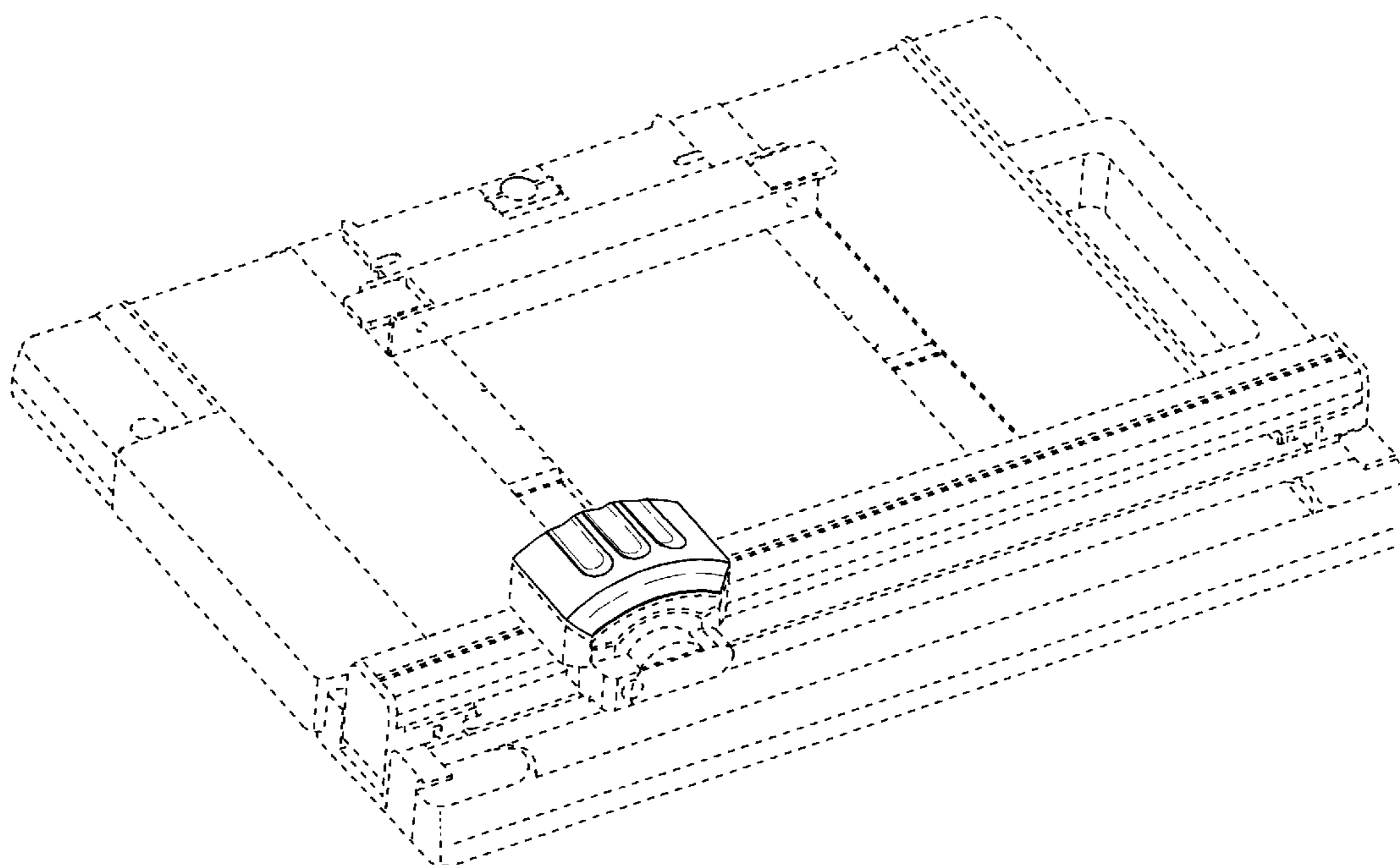
**DESCRIPTION**

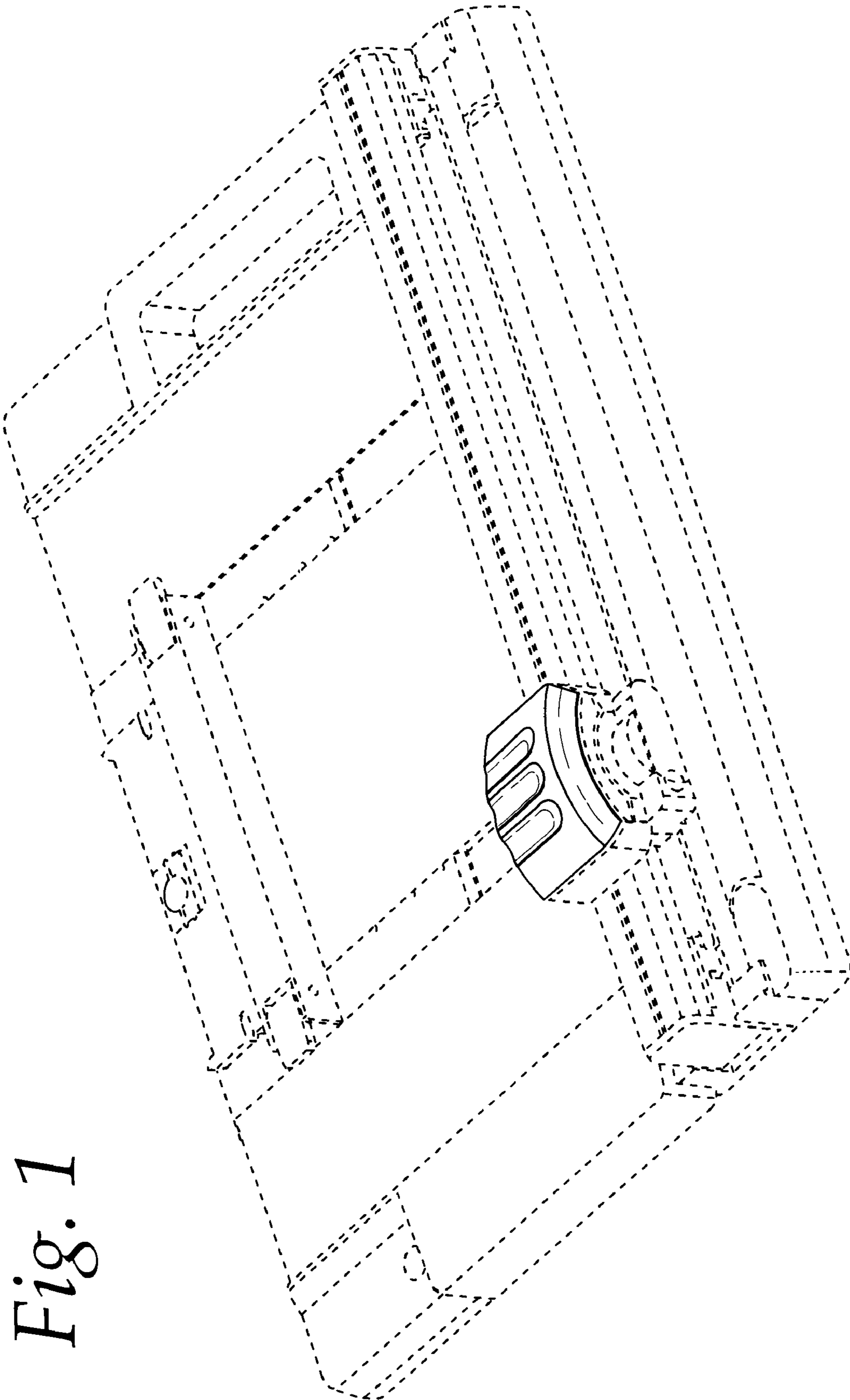
FIG. 1 is front, top and side perspective view of a cover for a slider on a paper cutter showing my new design; FIG. 2 is a front, top, and side perspective view thereof; FIG. 3 is a top view thereof; FIG. 4 is a bottom view thereof; FIG. 5 is a rear elevation view thereof; FIG. 6 is a front elevation view thereof; FIG. 7 is a side view thereof from the same side as in FIG. 1; and, FIG. 8 is an elevation view thereof from the side opposite that in FIG. 1.

The structure shown in dotted lines is included for environmental purposes and does not form a part of the claimed design.

The broken line showing of environment in FIG. 1 is for illustrative purposes only and forms no part of the claimed design.

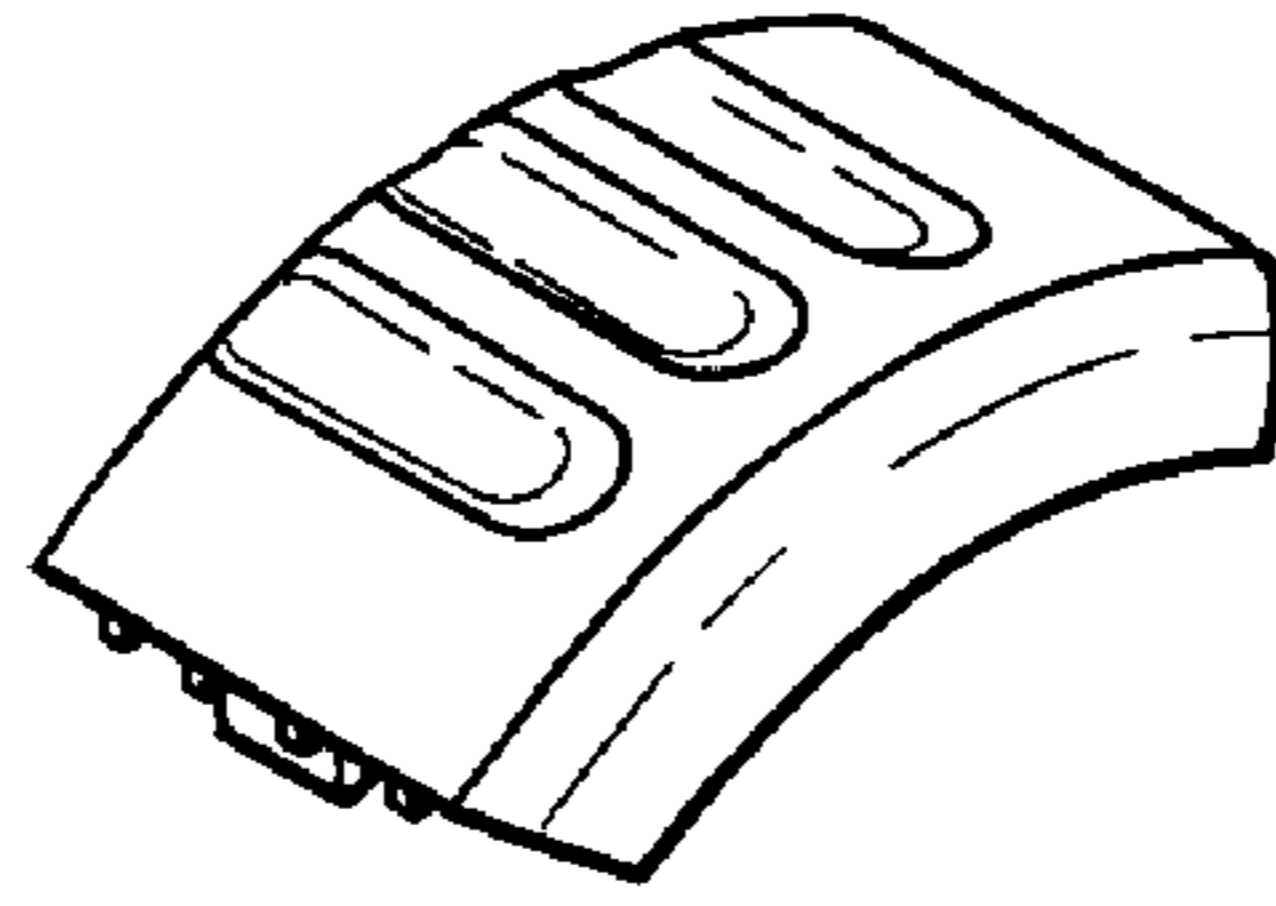
**1 Claim, 3 Drawing Sheets**



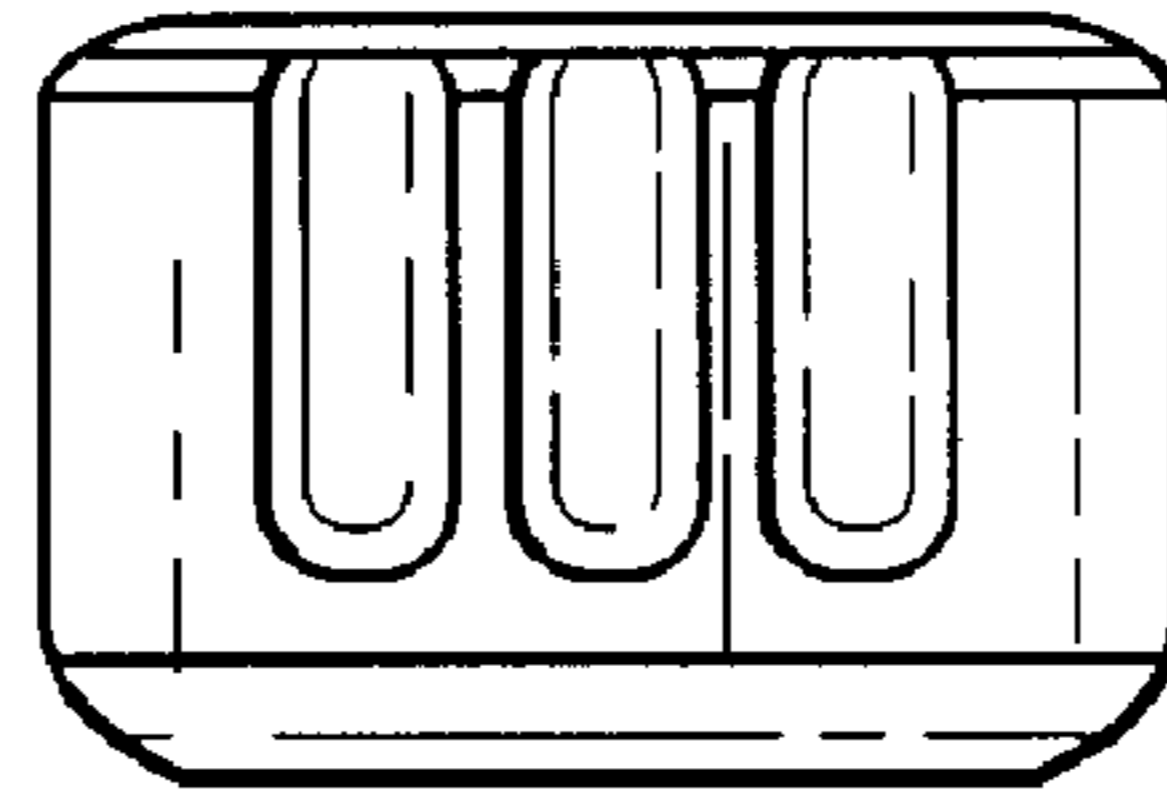


*Fig. 1*

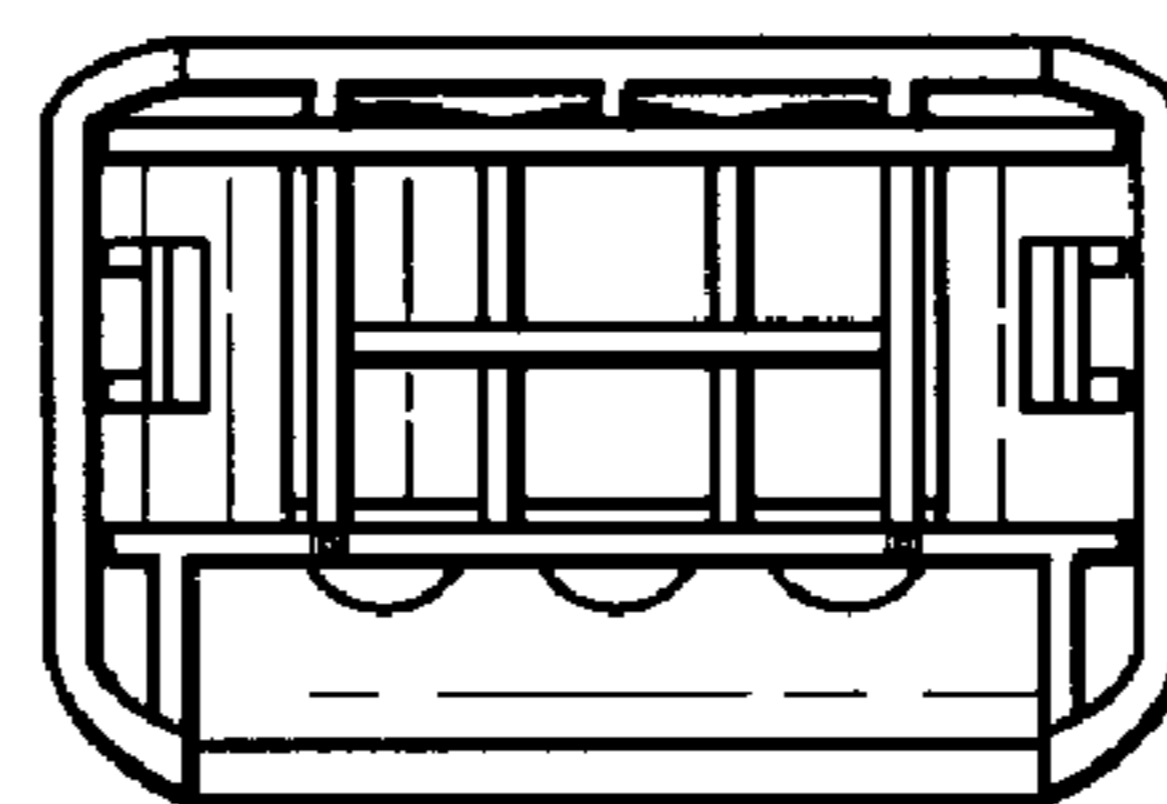
*Fig. 2*



*Fig. 3*



*Fig. 4*



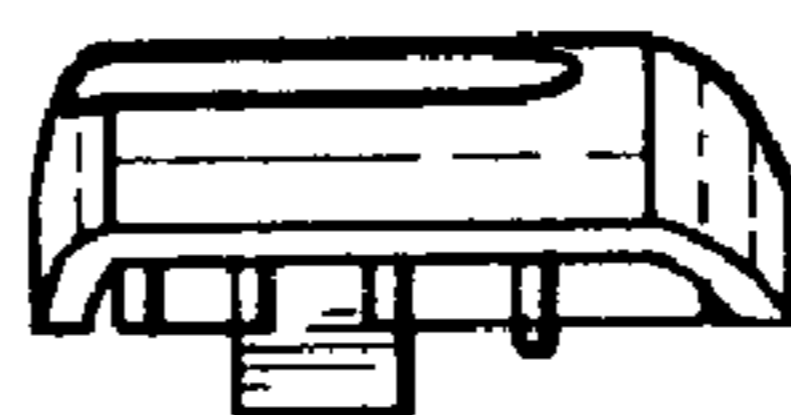
*Fig. 5*



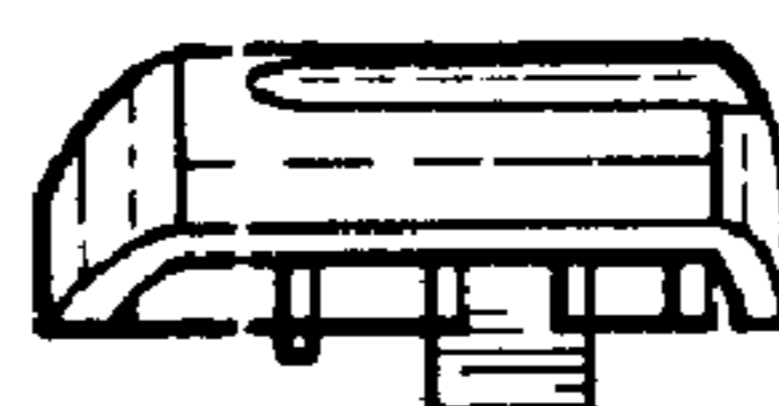
*Fig. 6*



*Fig. 7*



*Fig. 8*



UNITED STATES PATENT AND TRADEMARK OFFICE  
**CERTIFICATE OF CORRECTION**

PATENT NO. : Des. 529,540 S  
APPLICATION NO. : 29/217663  
DATED : October 3, 2006  
INVENTOR(S) : Tomoyoshi Nakamura

Page 1 of 1

It is certified that error appears in the above-identified patent and that said Letters Patent is hereby corrected as shown below:

The priority information is missing from the cover page (30) of the application.  
The priority information is as follows:

Japanese Application No. 2004-01779 filed June 15, 2004.

Signed and Sealed this

Twentieth Day of February, 2007

A handwritten signature in black ink on a light gray dotted background. The signature reads "Jon W. Dudas" in a cursive style.

JON W. DUDAS

*Director of the United States Patent and Trademark Office*