

US00D529536S

(12) **United States Design Patent**
Oas

(10) **Patent No.:** **US D529,536 S**

(45) **Date of Patent:** **** Oct. 3, 2006**

(54) **CALCULATOR**

(76) **Inventor:** **Daniel R. Oas**, 6250 N. Irwindale Ave.,
Irwindale, CA (US) 91702

(**) **Term:** **14 Years**

(21) **Appl. No.:** **29/254,543**

(22) **Filed:** **Feb. 24, 2006**

(51) **LOC (8) Cl.** **18-01**

(52) **U.S. Cl.** **D18/7; D14/346**

(58) **Field of Classification Search** D18/1,
D18/2, 6, 7, 11, 12, 12.1, 12.2, 12.3; D14/138,
D14/147, 191, 193, 196-198, 341-346, 383,
D14/388, 391-399; D21/512; D10/2, 31,
D10/104; D3/208; D8/34, 356, 367; D26/37,
D26/38; 24/599.1; 235/58 R, 59 R, 59 A,
235/59 BC, 59 BD, 59 BE, 59 BF, 59 CP,
235/59 BG, 59 TP, 60.22; 455/550.1; 708/100,
708/105, 130

See application file for complete search history.

(56) **References Cited**

U.S. PATENT DOCUMENTS

D243,535 S	*	3/1977	Ikeda	D18/7
D408,743 S	*	4/1999	Bedol	D10/2
D410,672 S	*	6/1999	Chu	D18/2
D432,027 S	*	10/2000	Fox et al.	D10/31
D459,338 S	*	6/2002	Sterzick	D14/196
D461,839 S	*	8/2002	Hsu	D18/7
D462,377 S	*	9/2002	Hsu	D18/7
D466,147 S	*	11/2002	Chan	D18/7
D467,819 S	*	12/2002	Tang	D10/30

D469,023 S	*	1/2003	Mah	D10/2
6,527,434 B1	*	3/2003	Fox et al.	D10/31
D479,221 S	*	9/2003	Wong	D14/192
6,625,469 B1	*	9/2003	Hwang et al.	455/550.1
D488,830 S	*	4/2004	Joachim	D18/7
D492,310 S	*	6/2004	Chien	D14/398
D494,613 S	*	8/2004	Hsu	D18/7
D501,843 S	*	2/2005	Oas	D14/188
D501,869 S	*	2/2005	Hsu	D18/7
D502,497 S	*	3/2005	Tien	D18/7
D505,938 S	*	6/2005	Tse	D14/196
D515,129 S	*	2/2006	Robinson	D18/7
D515,948 S	*	2/2006	Hsu	D10/40

* cited by examiner

Primary Examiner—Caron Veynar

Assistant Examiner—Garth Rademaker

(74) *Attorney, Agent, or Firm*—Edgar W. Averill, Jr.;
Kenneth L. Green

(57) **CLAIM**

The ornamental design for a calculator, as shown.

DESCRIPTION

FIG. 1 is a top, front, left side perspective of a calculator, showing my new design.

FIG. 2 is a top view thereof.

FIG. 3 is a front view thereof.

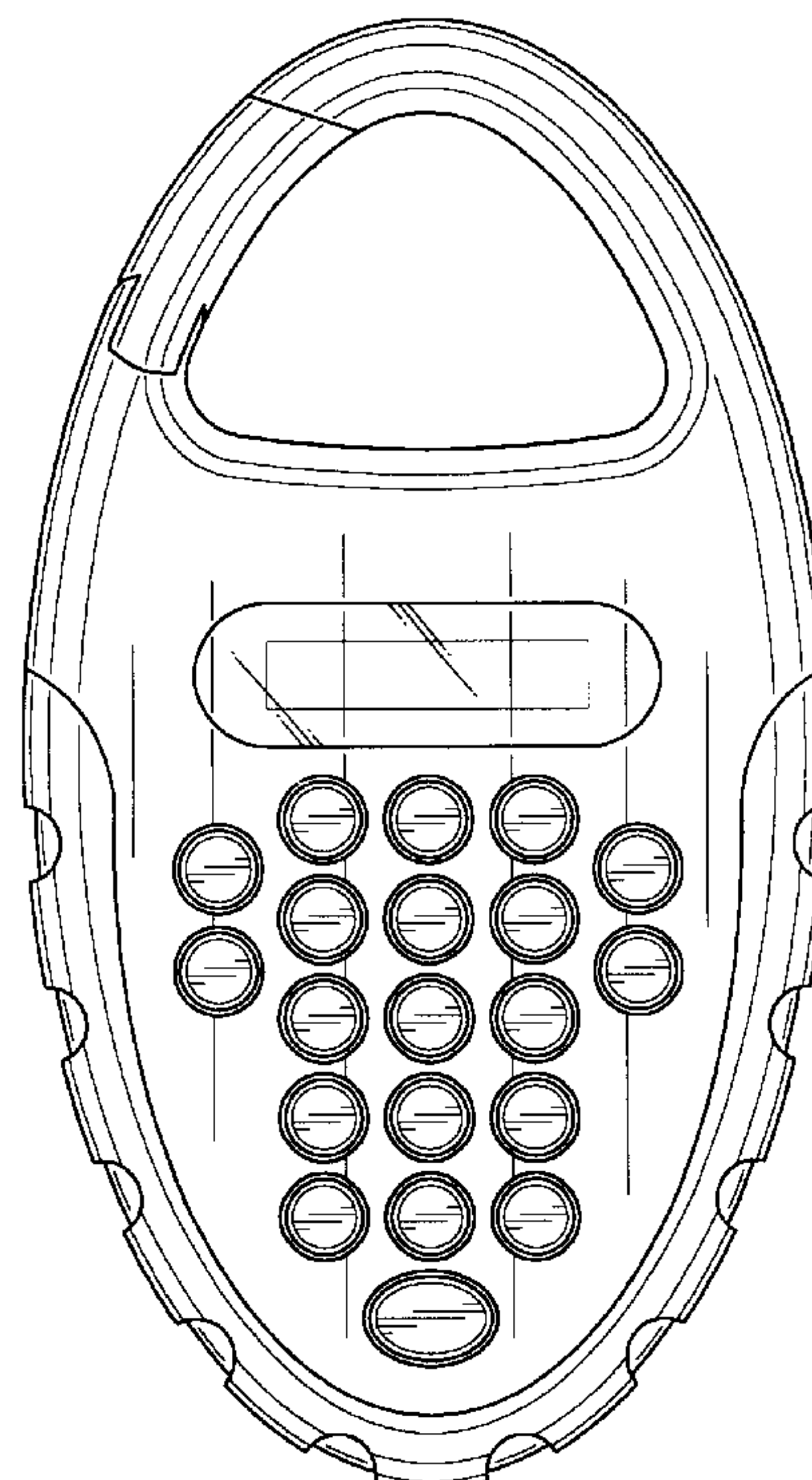
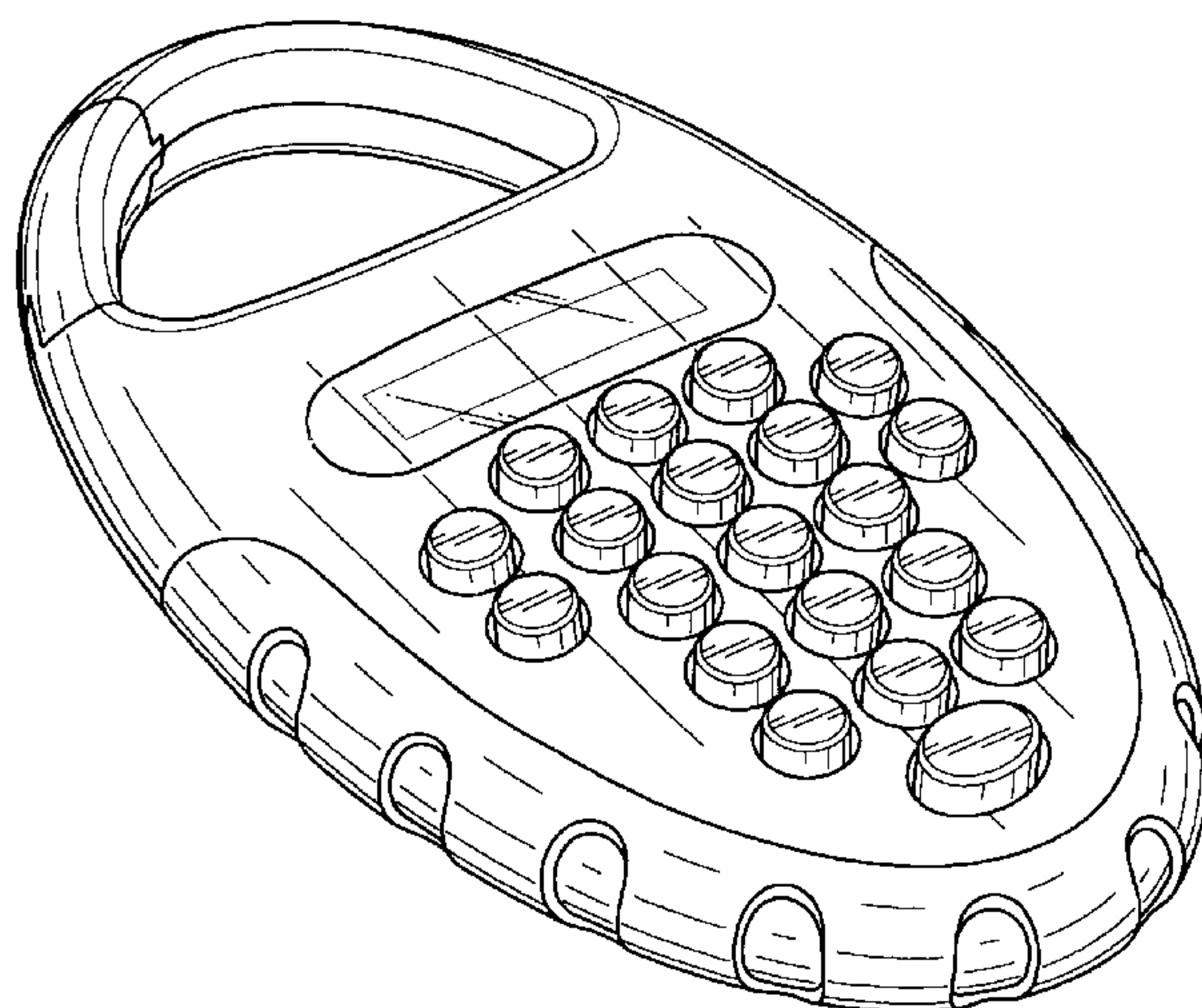
FIG. 4 is a left side view thereof.

FIG. 5 is a right side view thereof.

FIG. 6 is a rear view thereof; and,

FIG. 7 is a bottom view thereof.

1 Claim, 3 Drawing Sheets



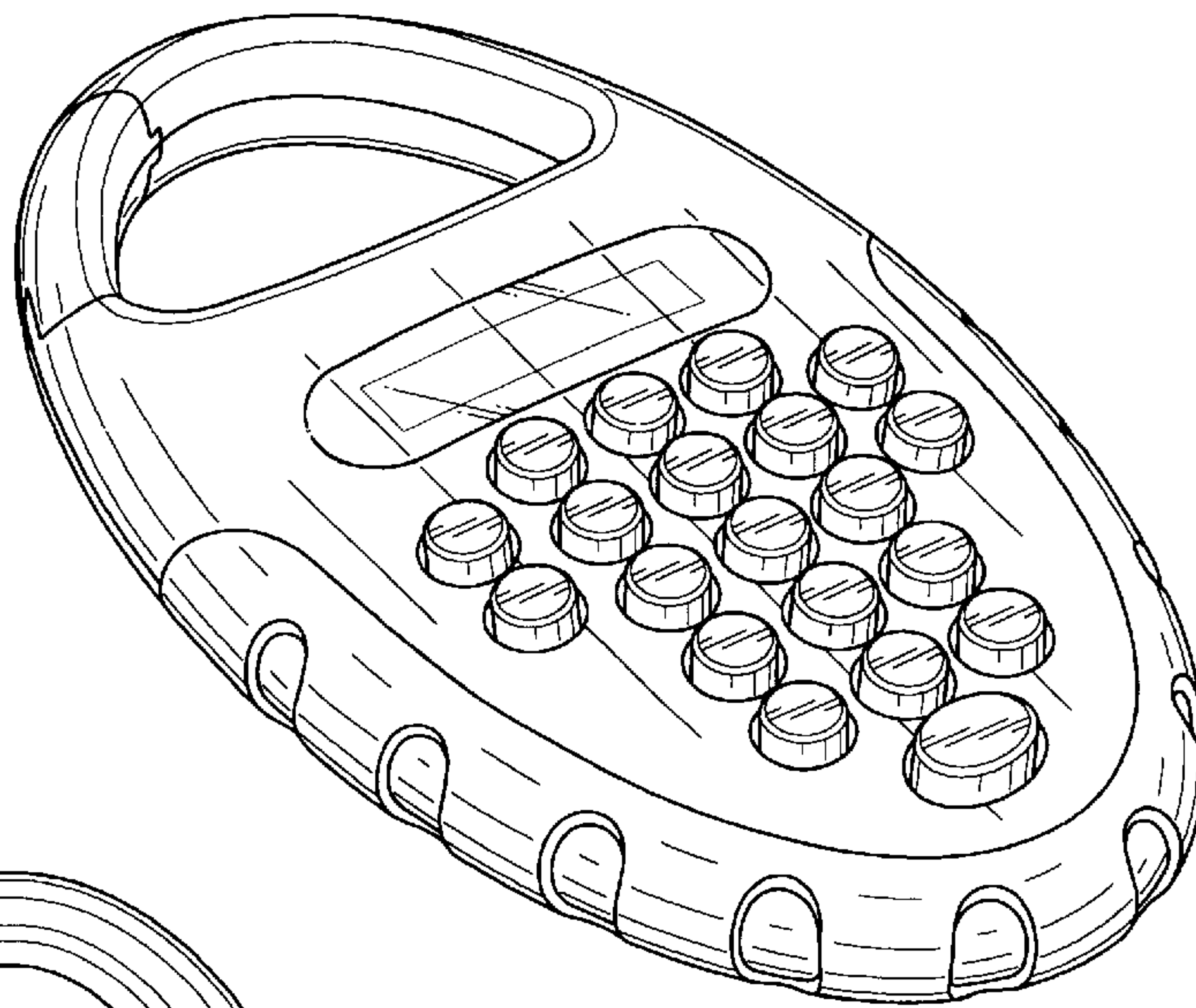


FIG. 1

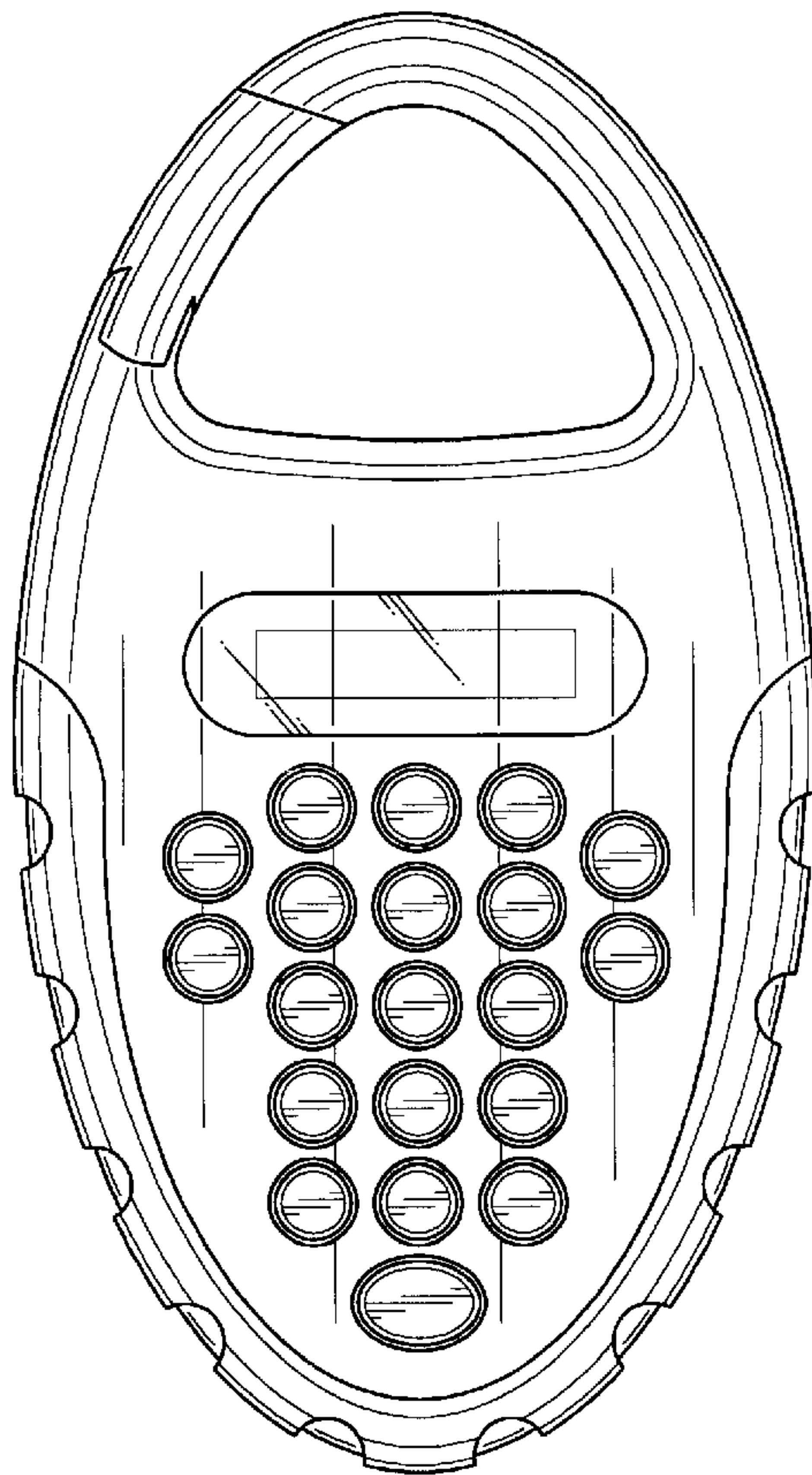


FIG. 2

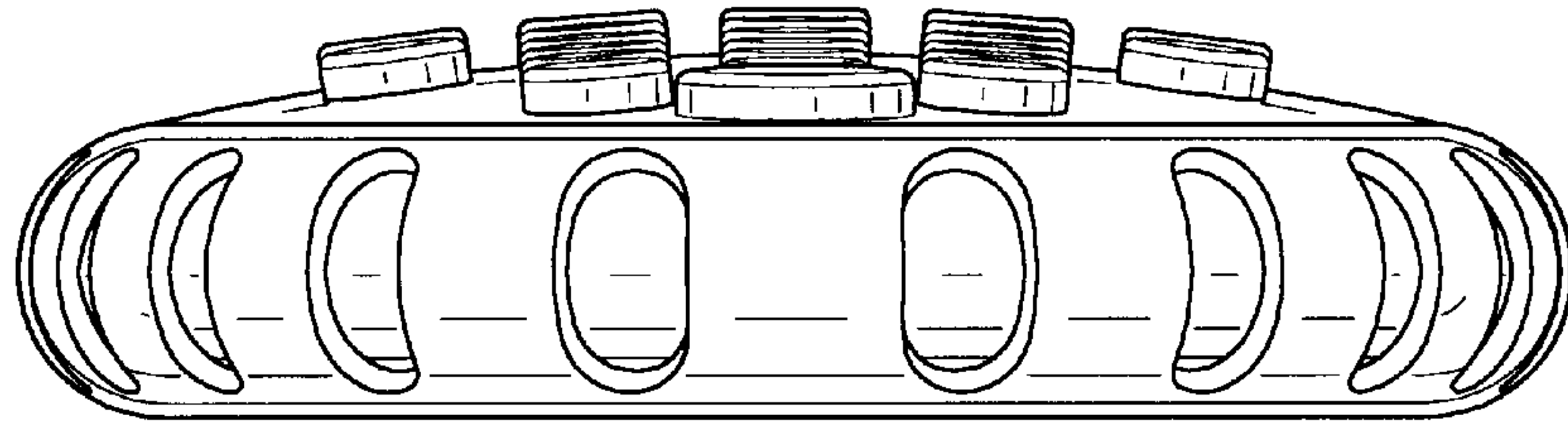


FIG. 3

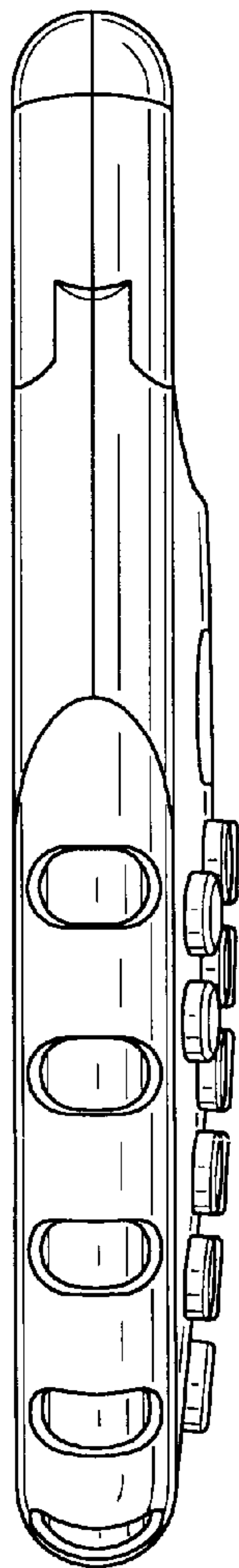


FIG. 4

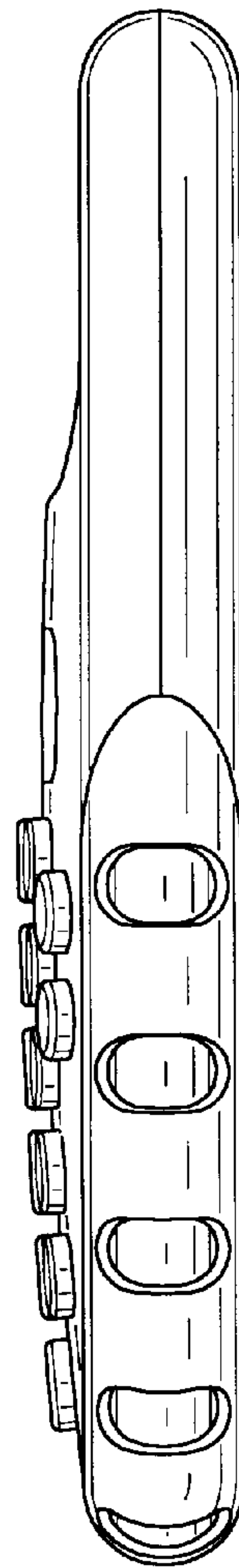


FIG. 5

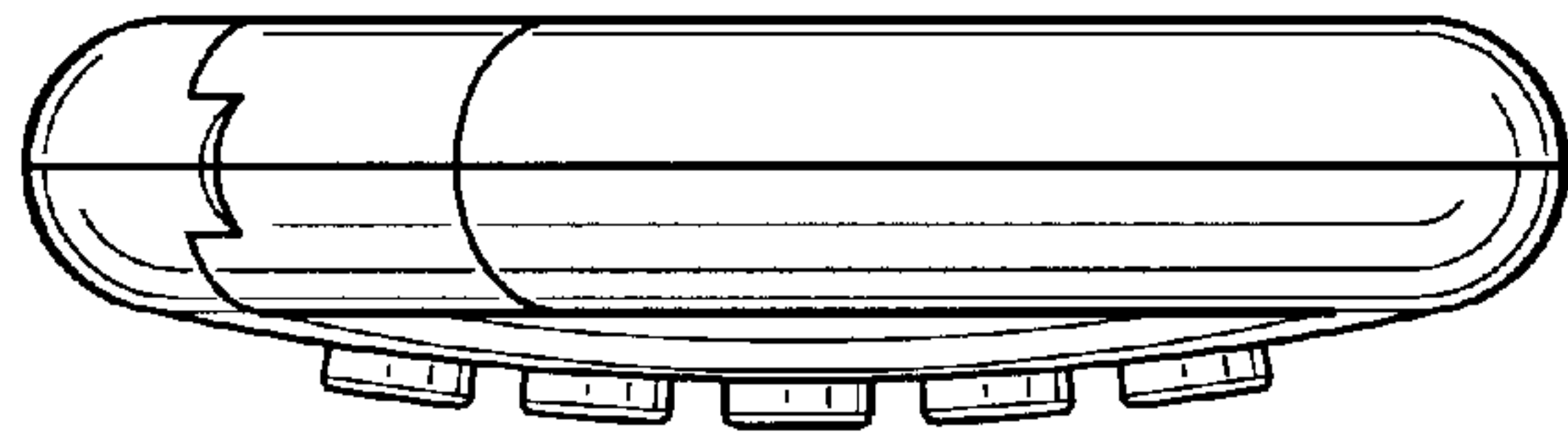


FIG. 6

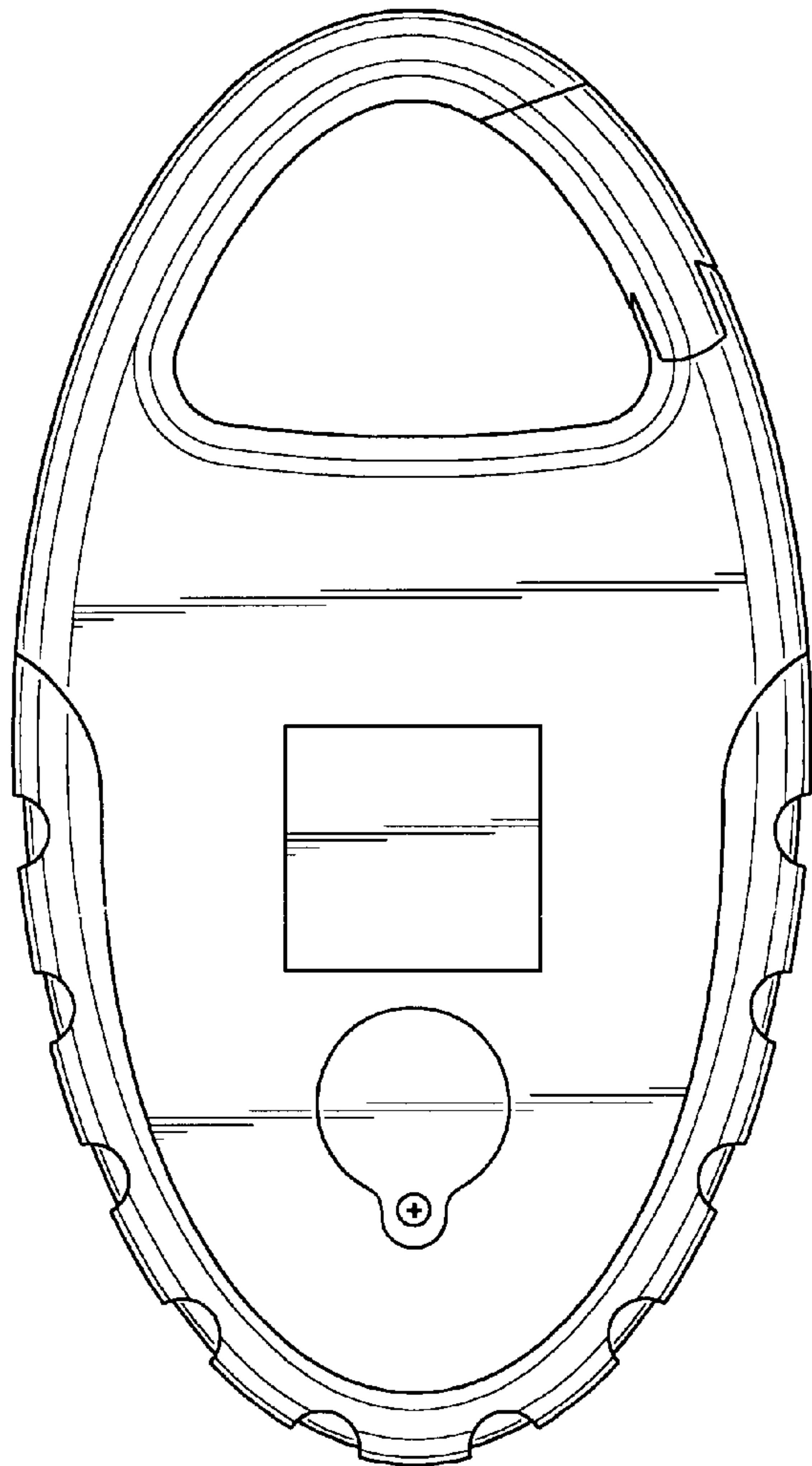


FIG. 7