

US00D529535S

(12) **United States Design Patent** (10) **Patent No.:** **US D529,535 S**
Suzuki (45) **Date of Patent:** **** Oct. 3, 2006**

(54) **CALCULATOR WITH CLOCK**

(74) *Attorney, Agent, or Firm*—Robert M. Downey, PA

(75) **Inventor:** **Hitoshi Suzuki**, Hachioji (JP)

(57) **CLAIM**

(73) **Assignee:** **Kabushiki Kaisha Hiromori**, Tokyo (JP)

The ornamental design for a calculator with clock, as shown and described.

(**) **Term:** **14 Years**

DESCRIPTION

(21) **Appl. No.:** **29/207,032**

FIG. 1 is a top front perspective view of a calculator with clock in a lowered position, showing my new design;

(22) **Filed:** **Jun. 7, 2004**

FIG. 2 is a top plan view thereof;

(51) **LOC (8) Cl.** **18-01**

FIG. 3 is a front elevational view thereof;

(52) **U.S. Cl.** **D18/7**

FIG. 4 is a bottom plan view thereof;

(58) **Field of Classification Search** D18/1, D18/2, 4, 5, 6, 7, 11; D10/2-4; D19/21, 25; D21/512; D14/341-346, 371, 391-399; 235/61 R, 235/60.22; 364/706-710; 708/100, 105, 130
See application file for complete search history.

FIG. 5 is a rear end elevational view thereof;

FIG. 6 is a right side elevational thereof, the left side elevational view being identical thereto; and

FIG. 7 is a front elevational view showing the calculator with clock in a raised position;

(56) **References Cited**

U.S. PATENT DOCUMENTS

D251,434 S	*	3/1979	Di Benedetto	D18/7
D297,714 S	*	9/1988	Tamada et al.	D18/7
D389,813 S	*	1/1998	Itoh	D18/4.5
D427,629 S	*	7/2000	Chu et al.	D19/21
D442,210 S	*	5/2001	Chan	D18/2
D444,072 S	*	6/2001	Chan	D10/3
D451,122 S	*	11/2001	Tian	D18/2
D459,383 S	*	6/2002	Li	D18/2

FIG. 8 is a right side elevational view of the calculator with clock of FIG. 7, the left side elevational view being identical thereto;

FIG. 9 is a top plan view of the calculator with clock in the raised position;

FIG. 10 is a rear elevational view of a calculator with clock in the raised position;

FIG. 11 is a bottom plan view of the calculator with clock in the raised position; and,

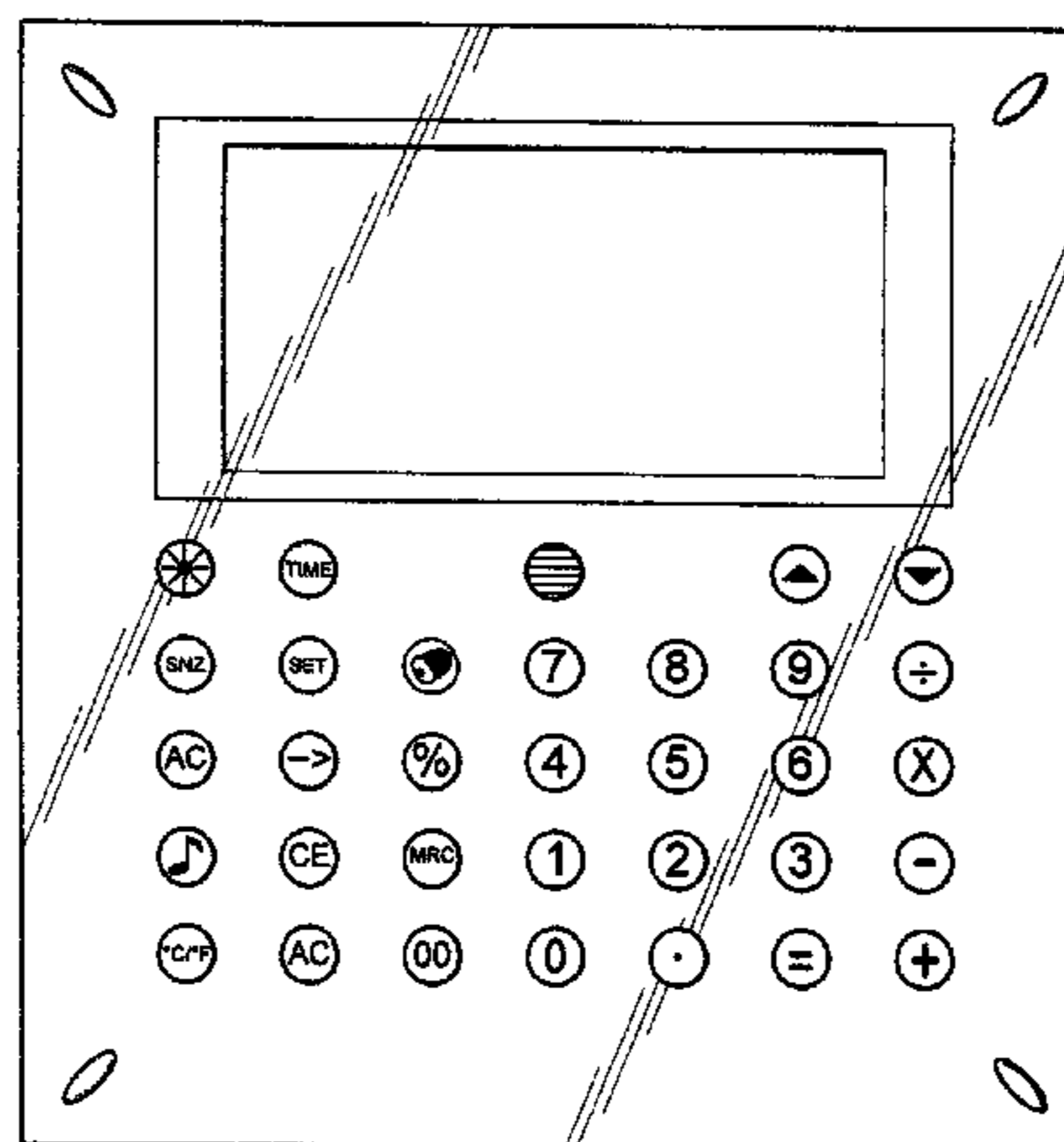
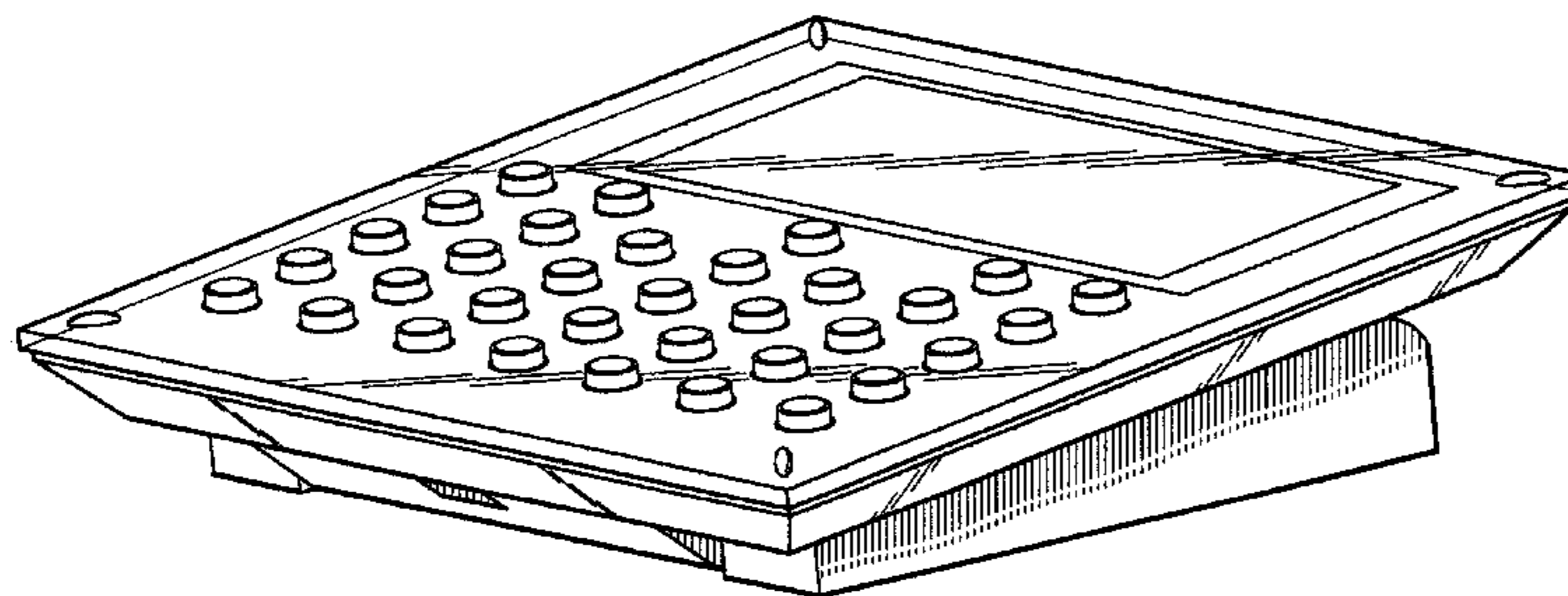
FIG. 12 is a front perspective view of the calculator with clock in a raised position.

* cited by examiner

The broken line showing in FIGS. 2 and 7 is for illustrative purposes only and forms no part of the claimed design.

Primary Examiner—Caron Veynar
Assistant Examiner—Garth Rademaker

1 Claim, 7 Drawing Sheets



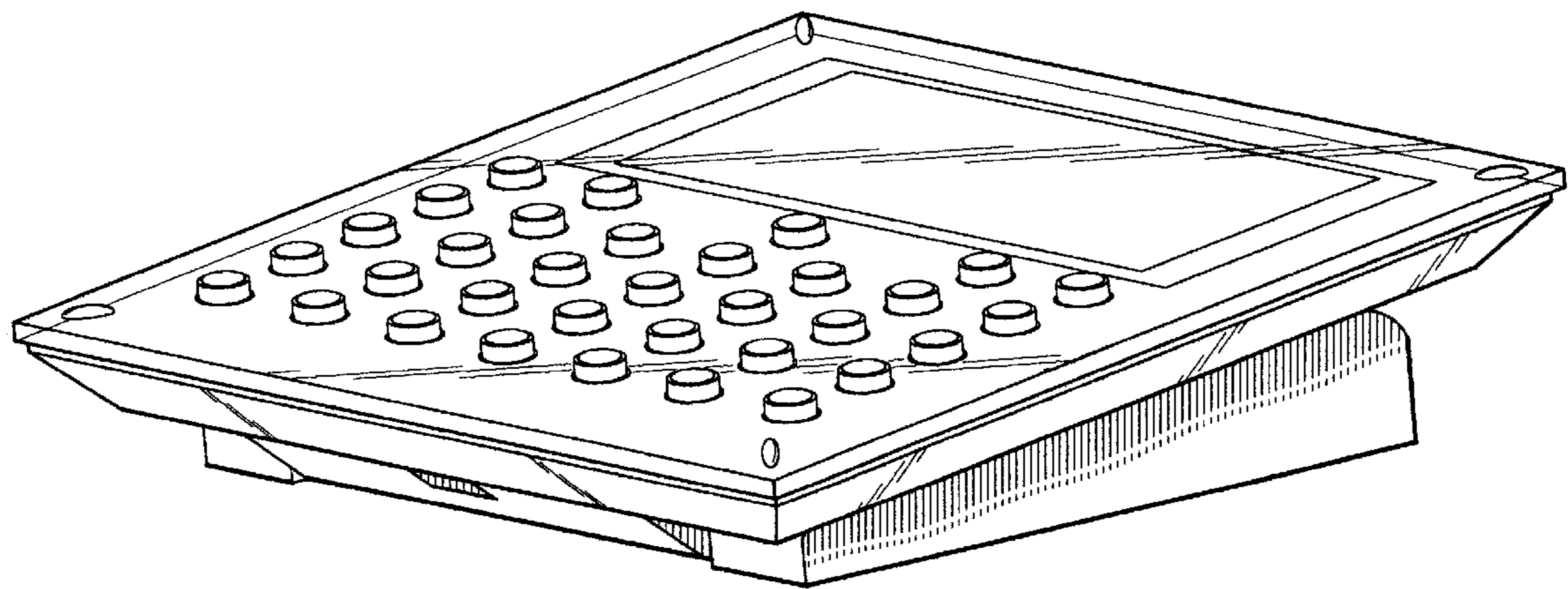


FIG. 1

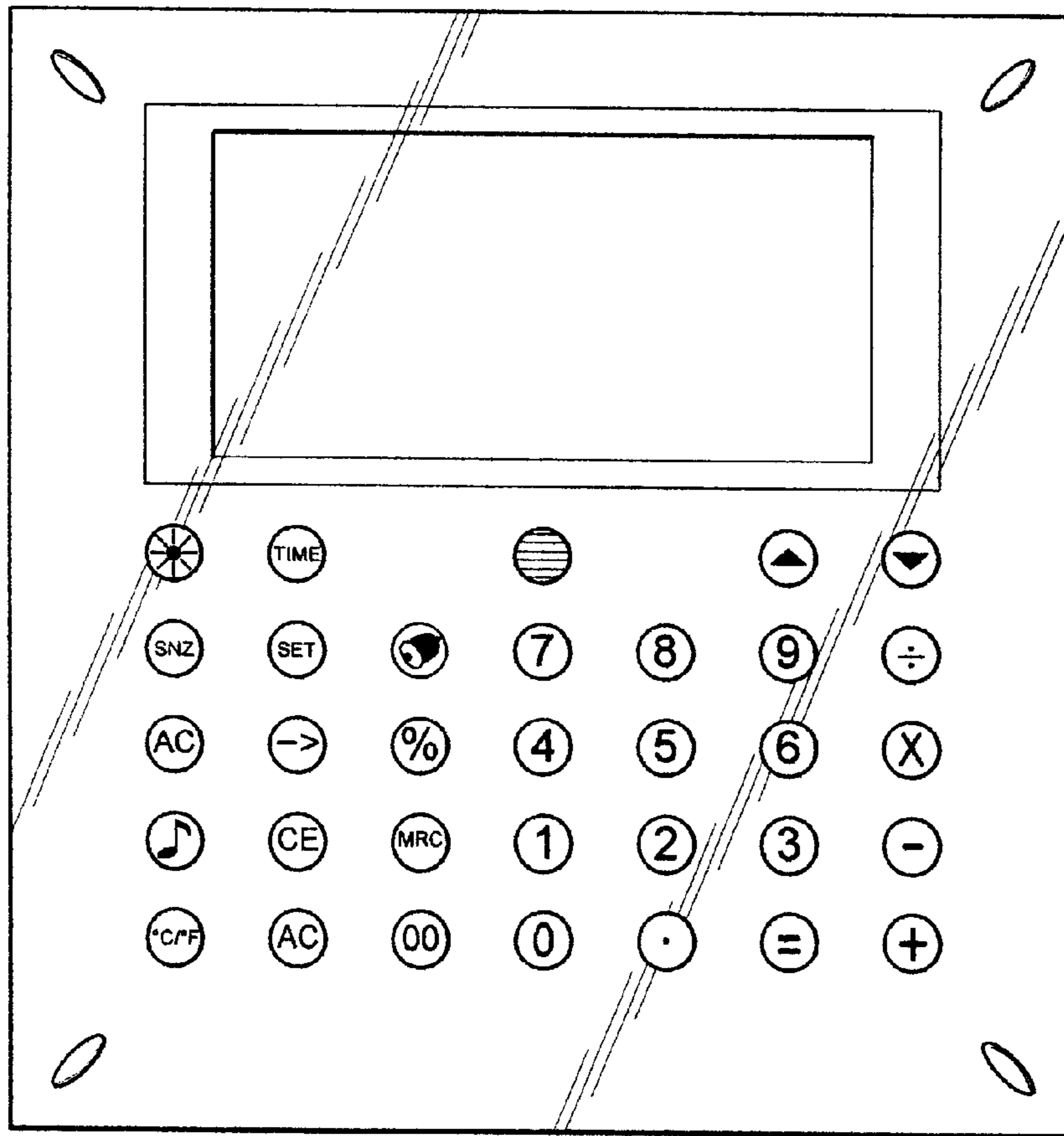


FIG. 2

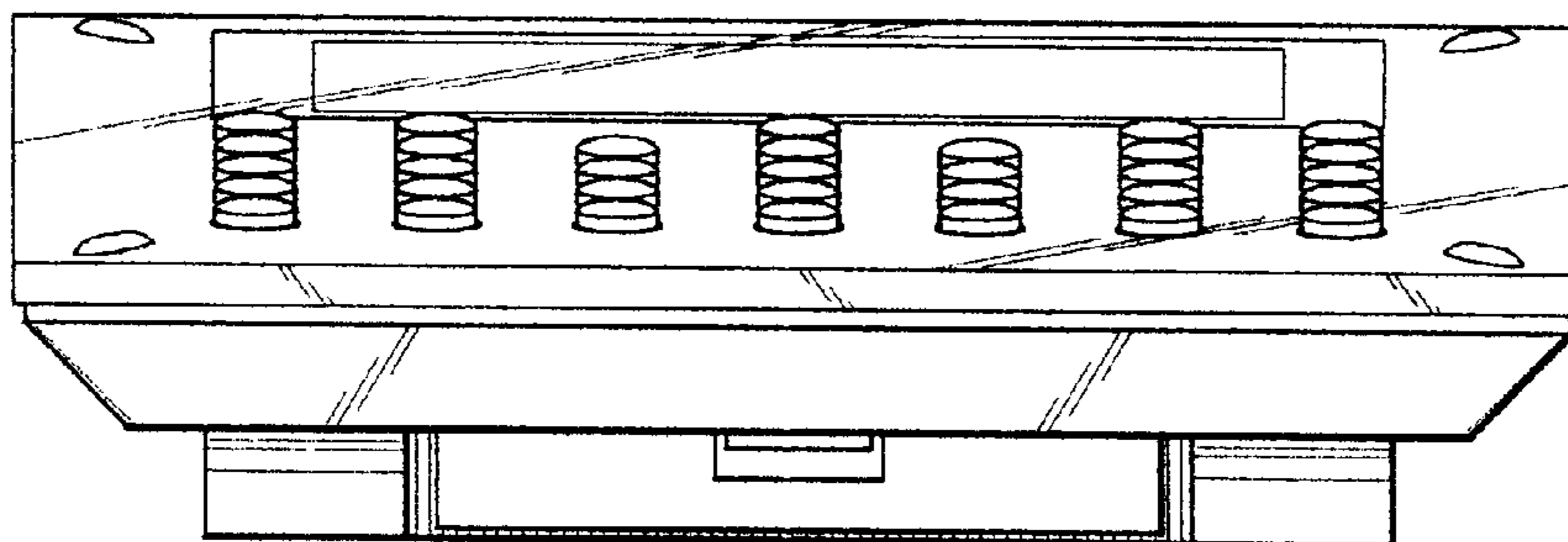


FIG. 3

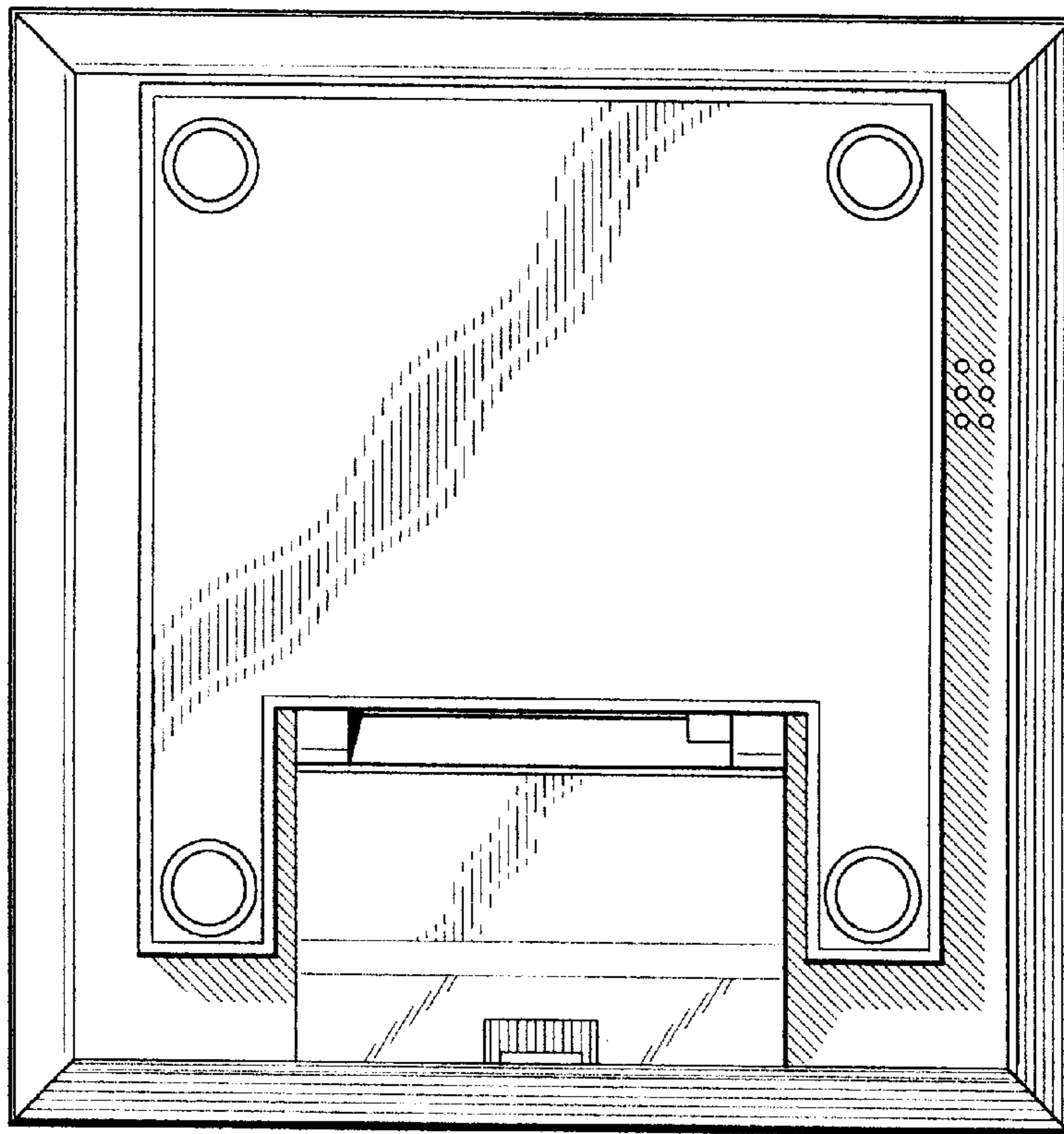


FIG. 4

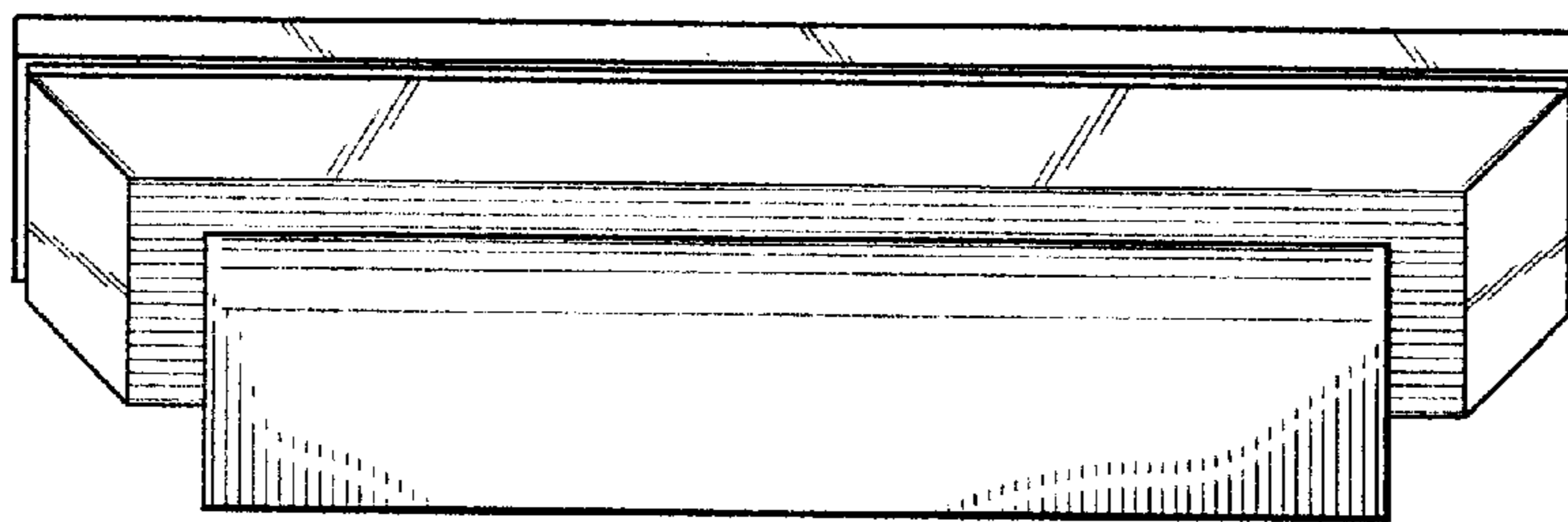


FIG. 5

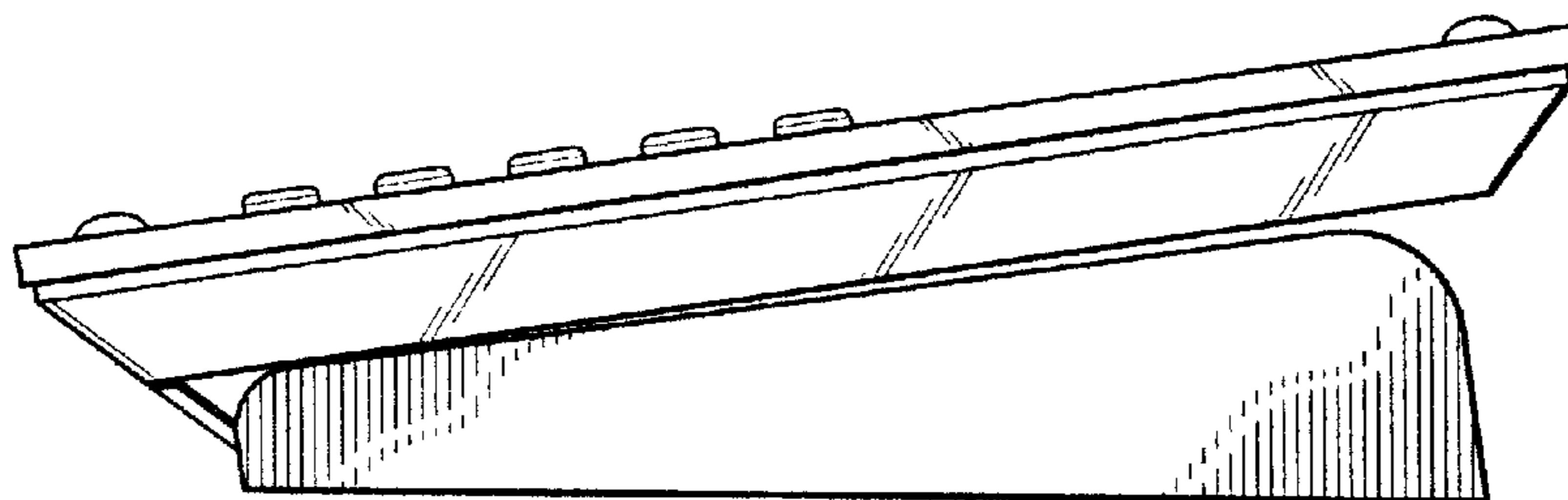


FIG. 6

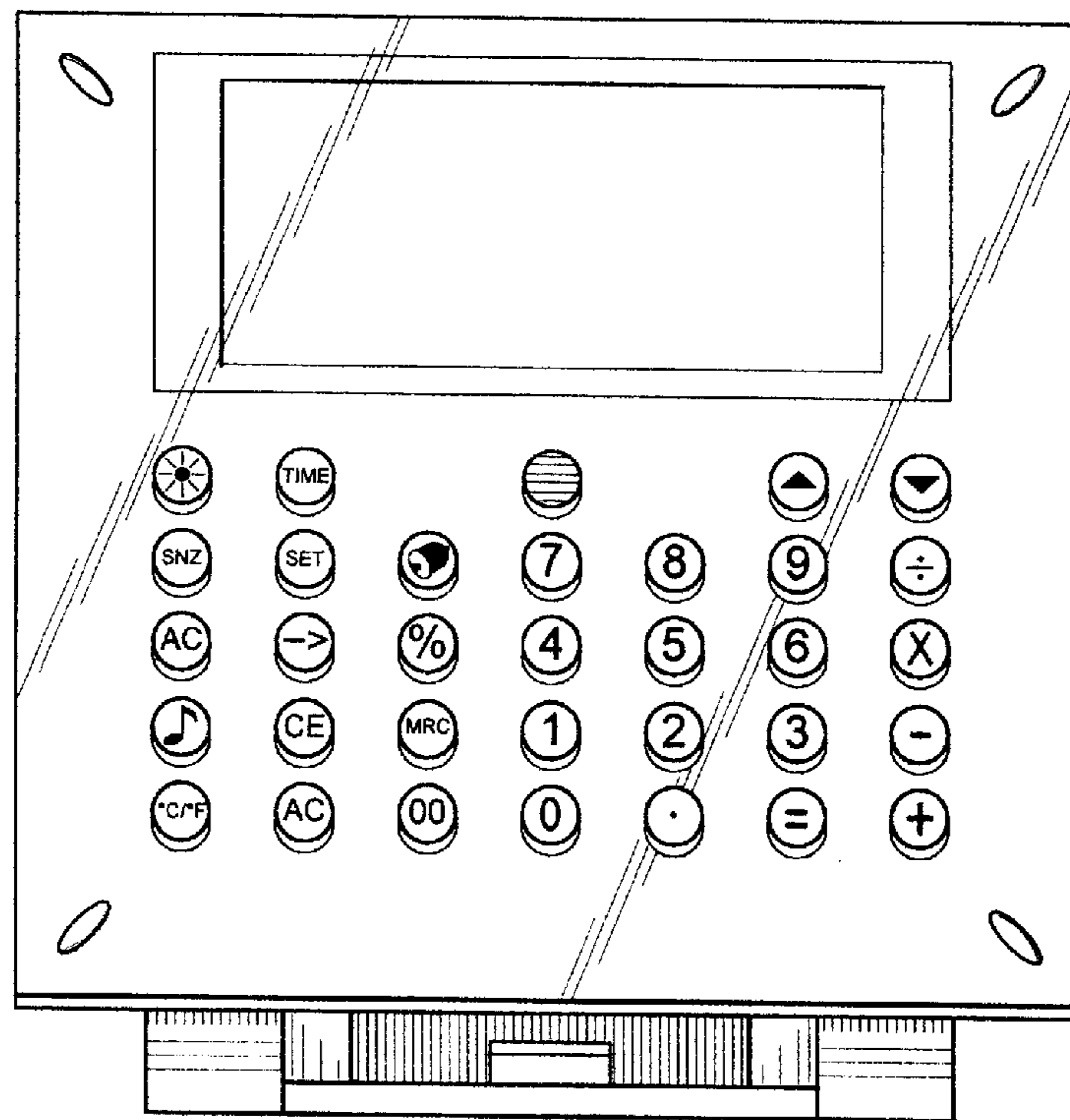


FIG. 7

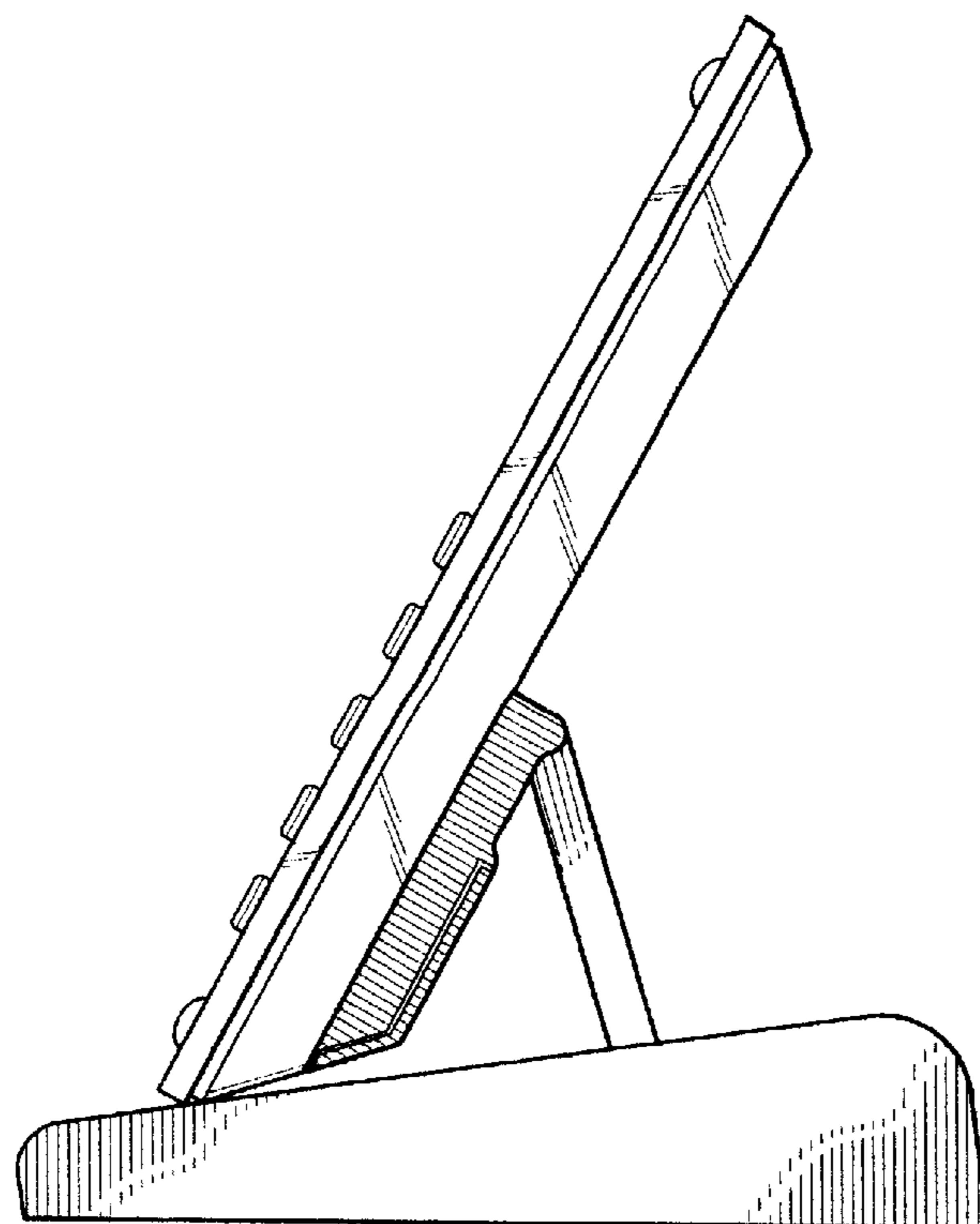


FIG. 8

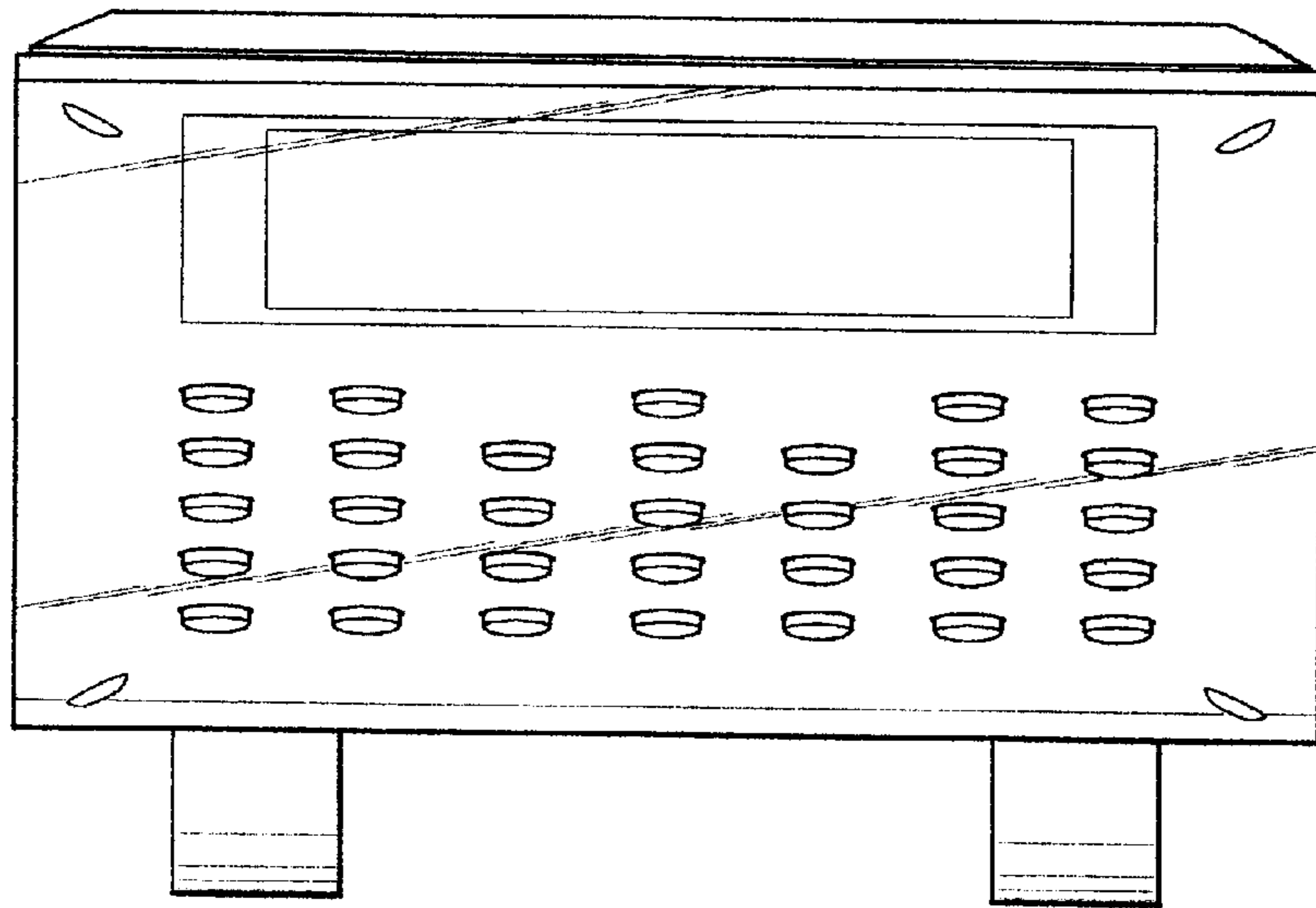


FIG. 9

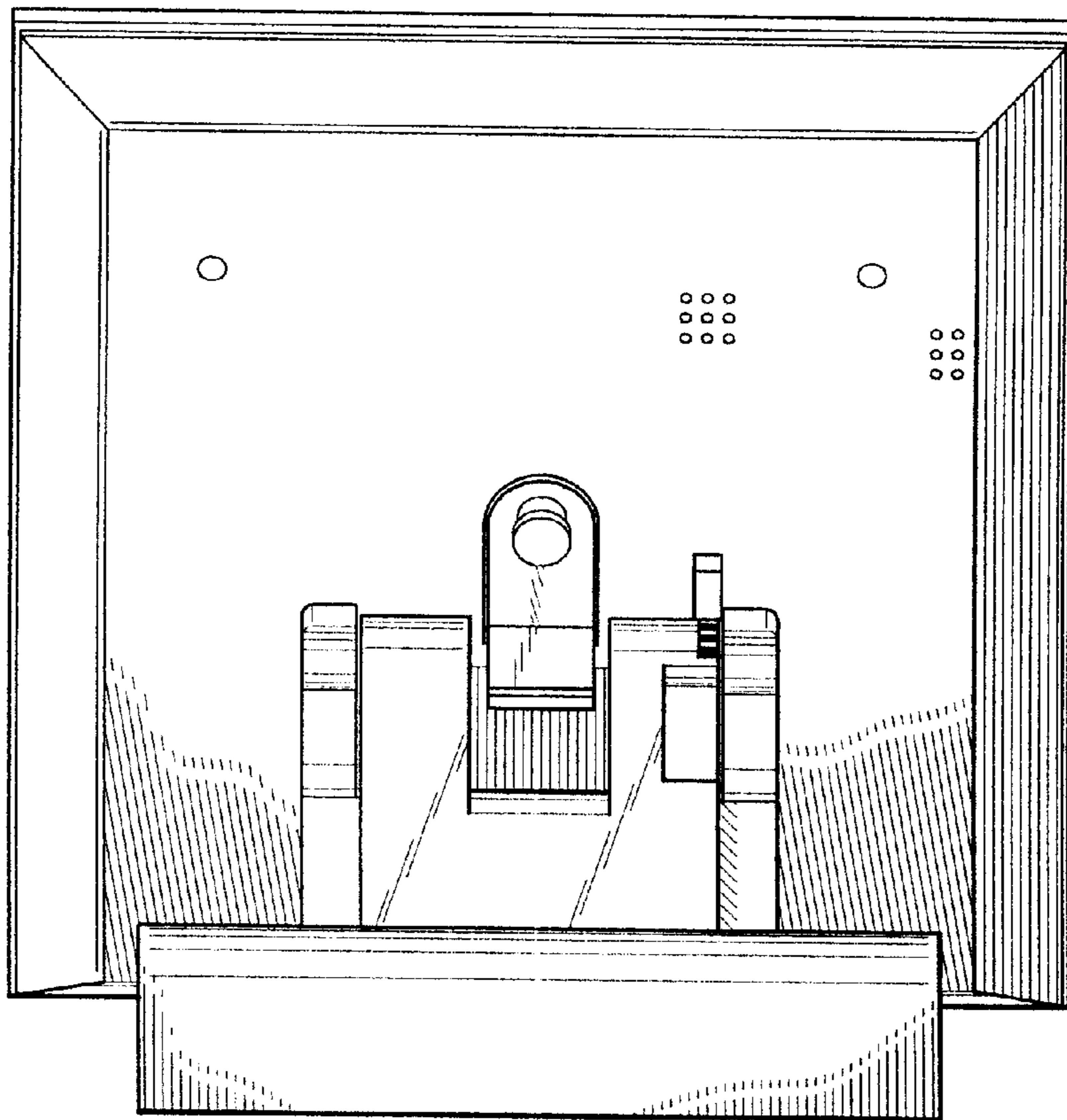


FIG. 10

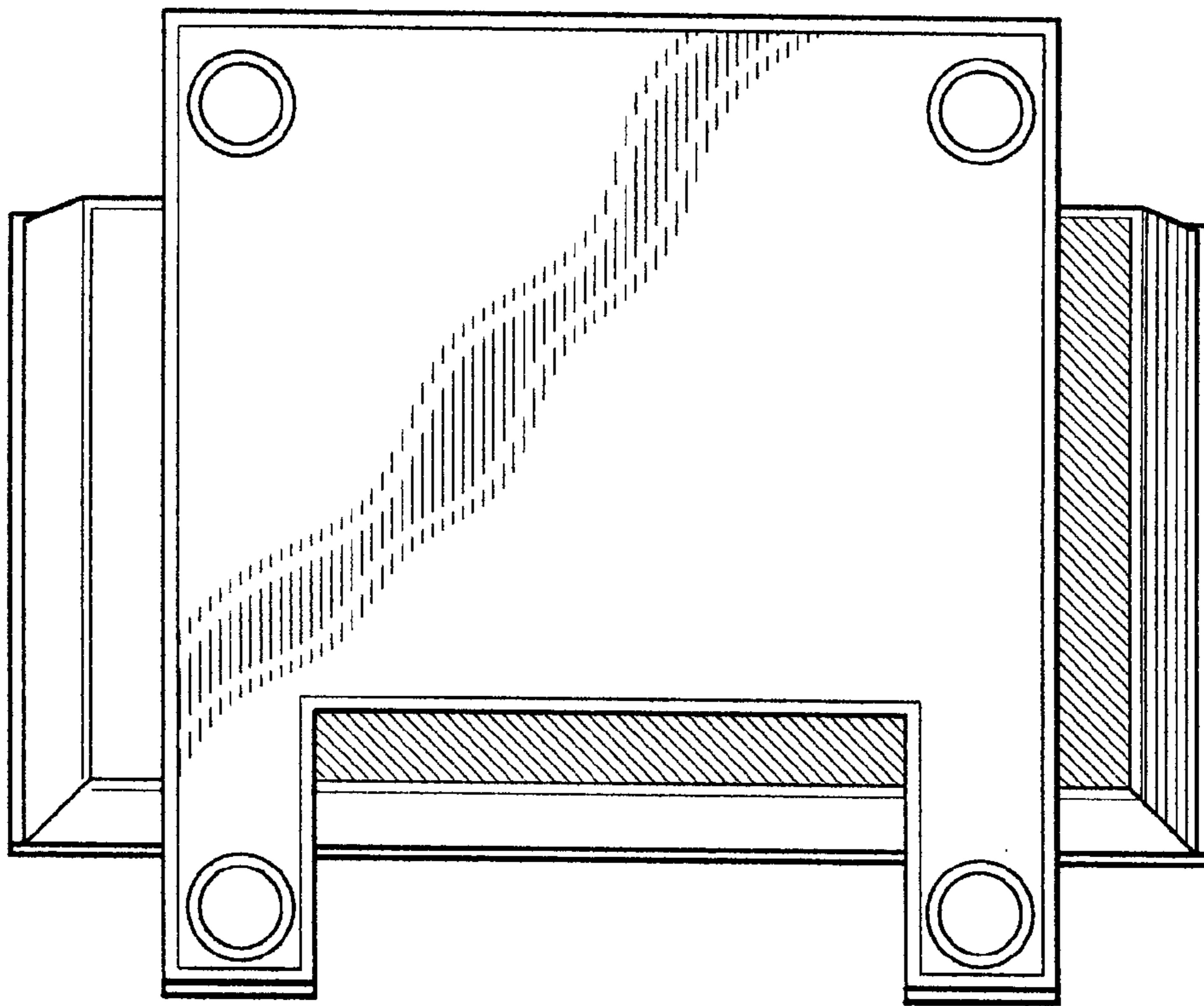


FIG. 11

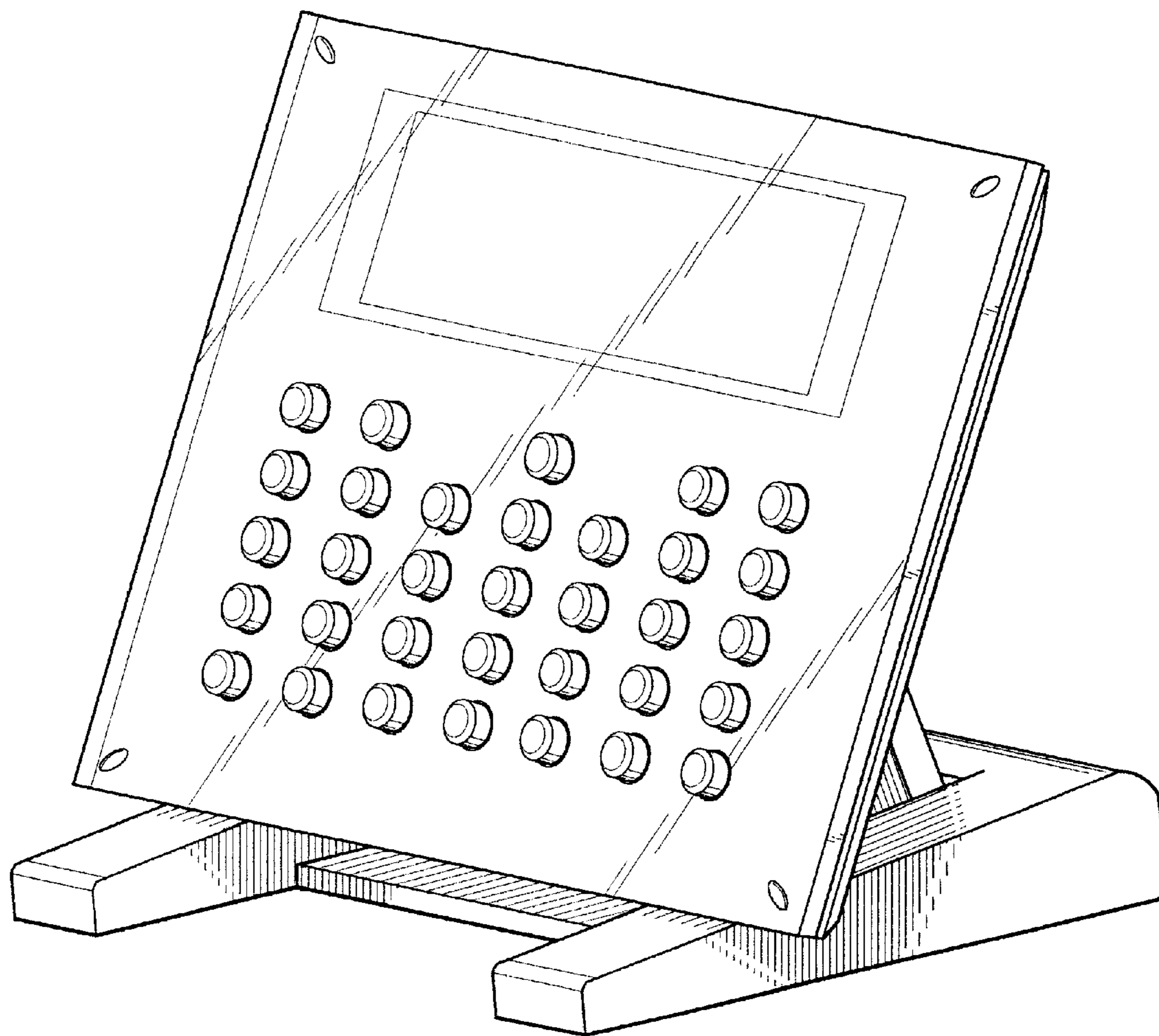


FIG. 12