



US00D529533S

(12) **United States Design Patent**
Oh et al.

(10) **Patent No.: US D529,533 S**

(45) **Date of Patent: ** Oct. 3, 2006**

(54) **CAMERA STAND**

(75) Inventors: **Kok Chong Anthony Oh**, Singapore (SG); **Kittichai Reawsanguanwong**, Singapore (SG); **Kin Fui Chong**, Singapore (SG)

(73) Assignee: **Creative Technology Ltd**, Singapore (SG)

(**) Term: **14 Years**

(21) Appl. No.: **29/254,409**

(22) Filed: **Feb. 23, 2006**

Related U.S. Application Data

(62) Division of application No. 29/251,070, filed on Jan. 3, 2006.

(51) **LOC (8) Cl.** **16-05**

(52) **U.S. Cl.** **D16/242; D16/202**

(58) **Field of Classification Search** D16/200–205, D16/208, 218, 219, 242; 248/121, 126, 918; 348/14.08, 14.09, 14.1, 373–376; 358/909.1; 396/419, 427, 535–541
See application file for complete search history.

(56) **References Cited**

U.S. PATENT DOCUMENTS

- D389,166 S * 1/1998 Swayze et al. D16/242
- D390,244 S * 2/1998 Yamakawa et al. D16/202
- D394,274 S * 5/1998 Suzuki D16/202
- D399,860 S * 10/1998 Huang D16/202
- D430,587 S * 9/2000 Summit D16/202
- D458,623 S * 6/2002 Backs et al. D16/242

- D468,336 S * 1/2003 Kampf et al. D16/242
- 6,705,774 B1 * 3/2004 Tashiro et al. 396/427

OTHER PUBLICATIONS

AMAZON.COM web site featuring Ezonic 3 in 1 PC Camera (E&306) 5 pages, Aug. 23, 2004. Date first available for sale on Amazon: Sep. 29, 2003.*

* cited by examiner

Primary Examiner—Adir Aronovich

(74) *Attorney, Agent, or Firm*—P. Francois de Villiers

(57) **CLAIM**

The ornamental design for a camera stand, substantially as shown and described.

DESCRIPTION

FIG. 1 is a perspective view of a camera stand in accordance with the present design;

FIG. 2 is a rear perspective view of the camera stand shown in FIG. 1;

FIG. 3 is a front view of the camera stand shown in FIG. 1;

FIG. 4 is a rear view of the camera stand shown in FIG. 1;

FIG. 5 is a left side view of the camera stand shown in FIG. 1;

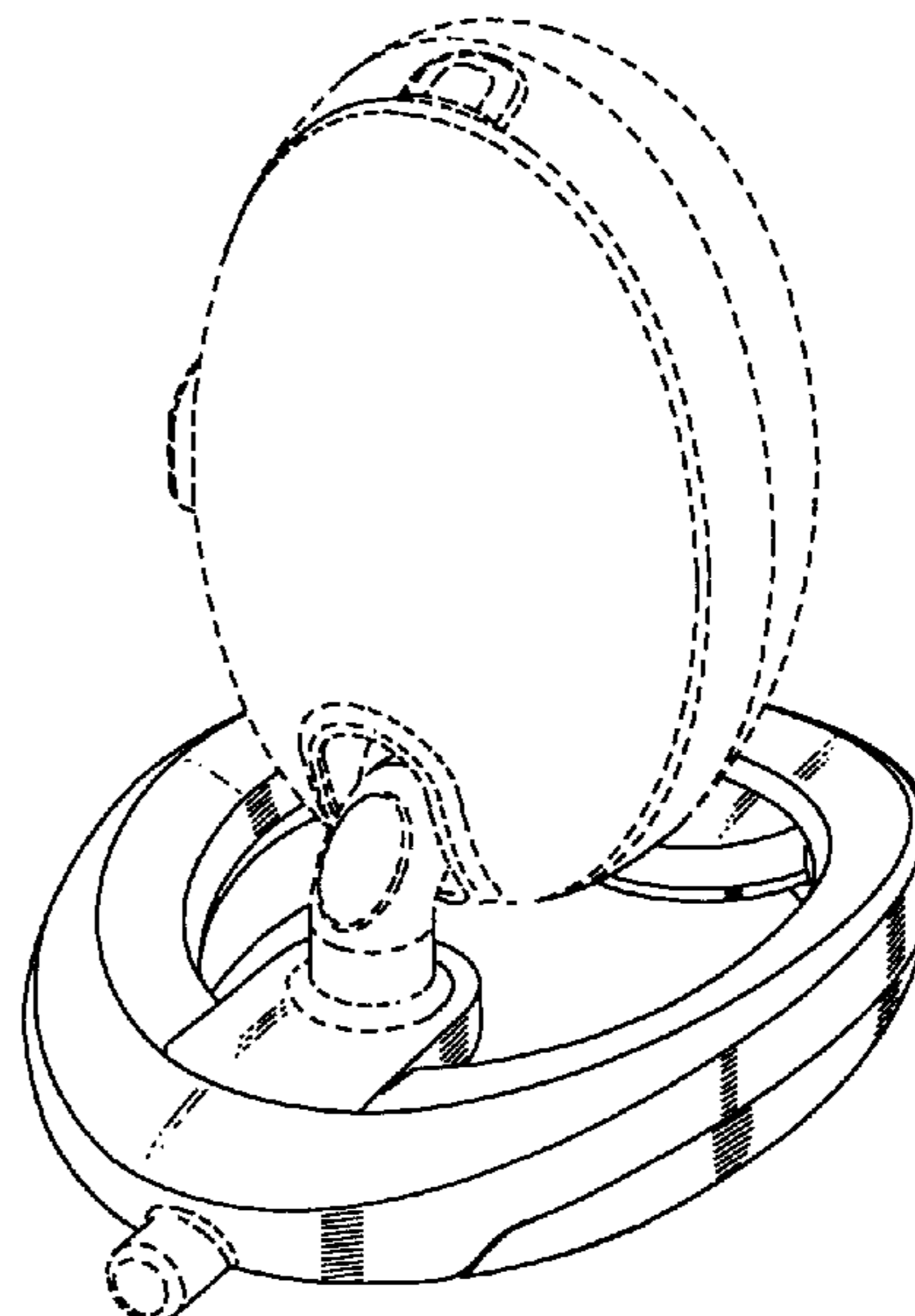
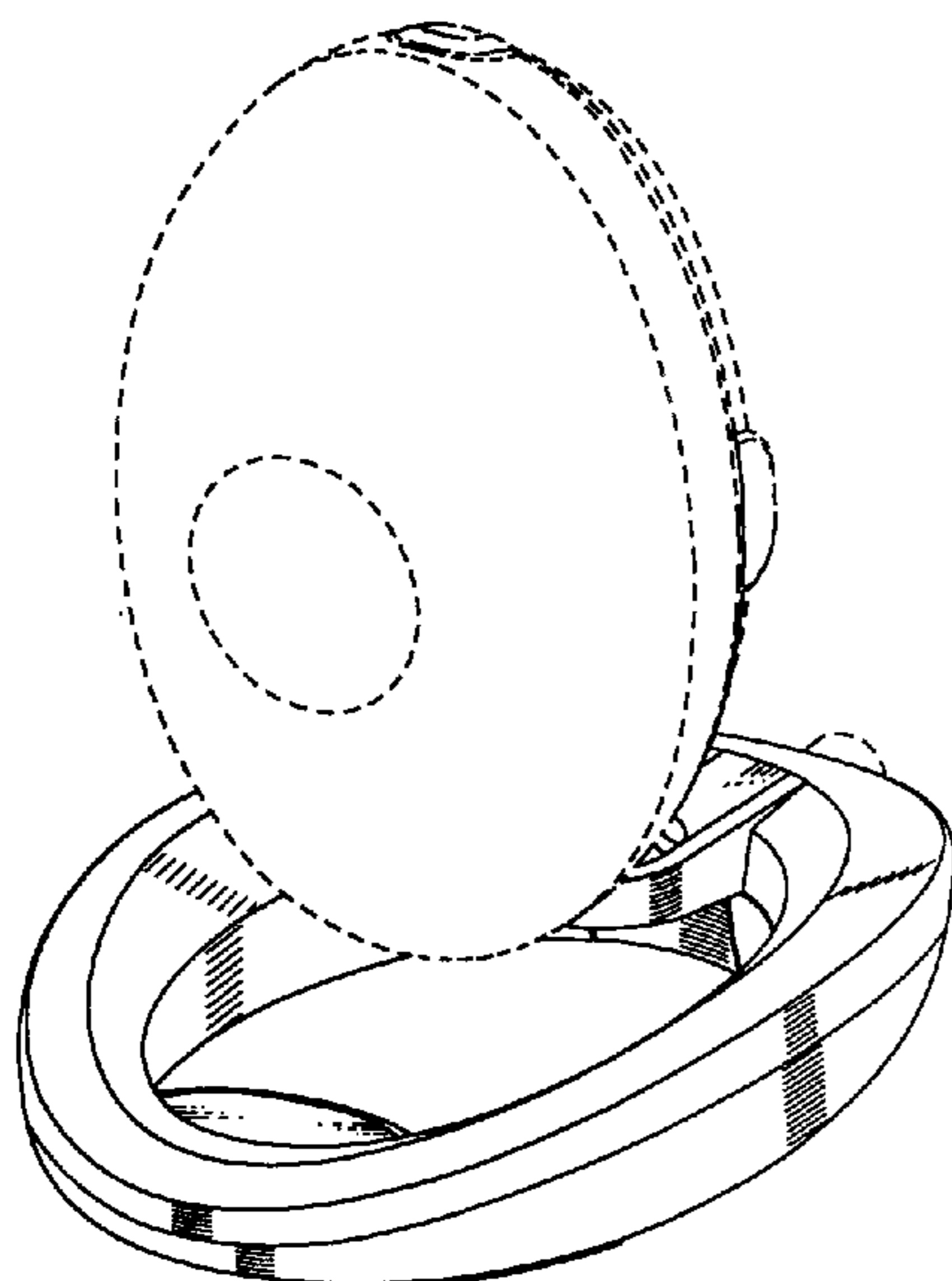
FIG. 6 is a right side view of the camera stand shown in FIG. 1;

FIG. 7 is a top view of the camera stand shown in FIG. 1; and,

FIG. 8 is a bottom view of the camera stand shown in FIG. 1.

Features illustrated in phantom using dashed lines (broken lines) are shown for exemplary purposes only and form no part of the claimed design.

1 Claim, 4 Drawing Sheets



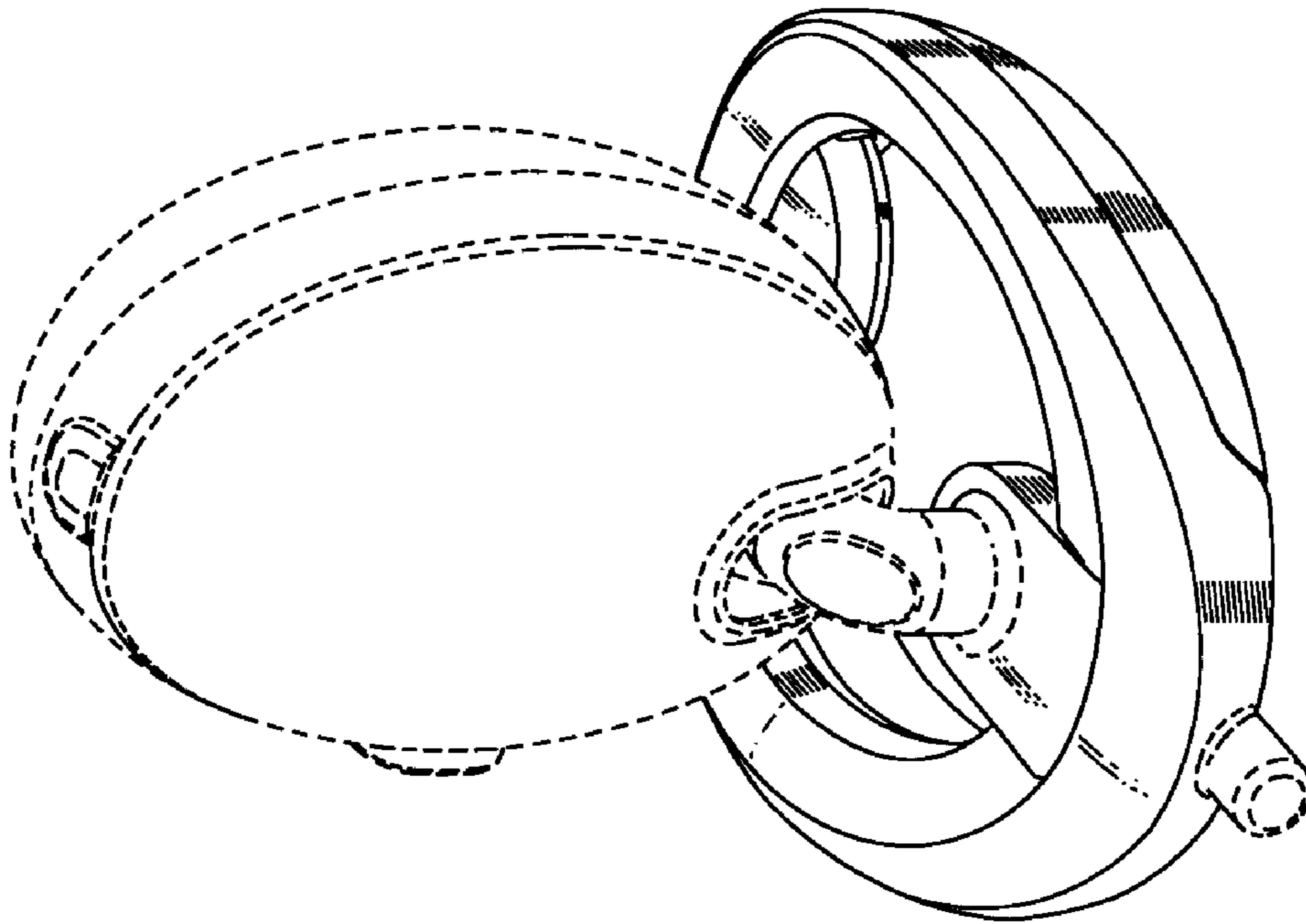


FIG. 2

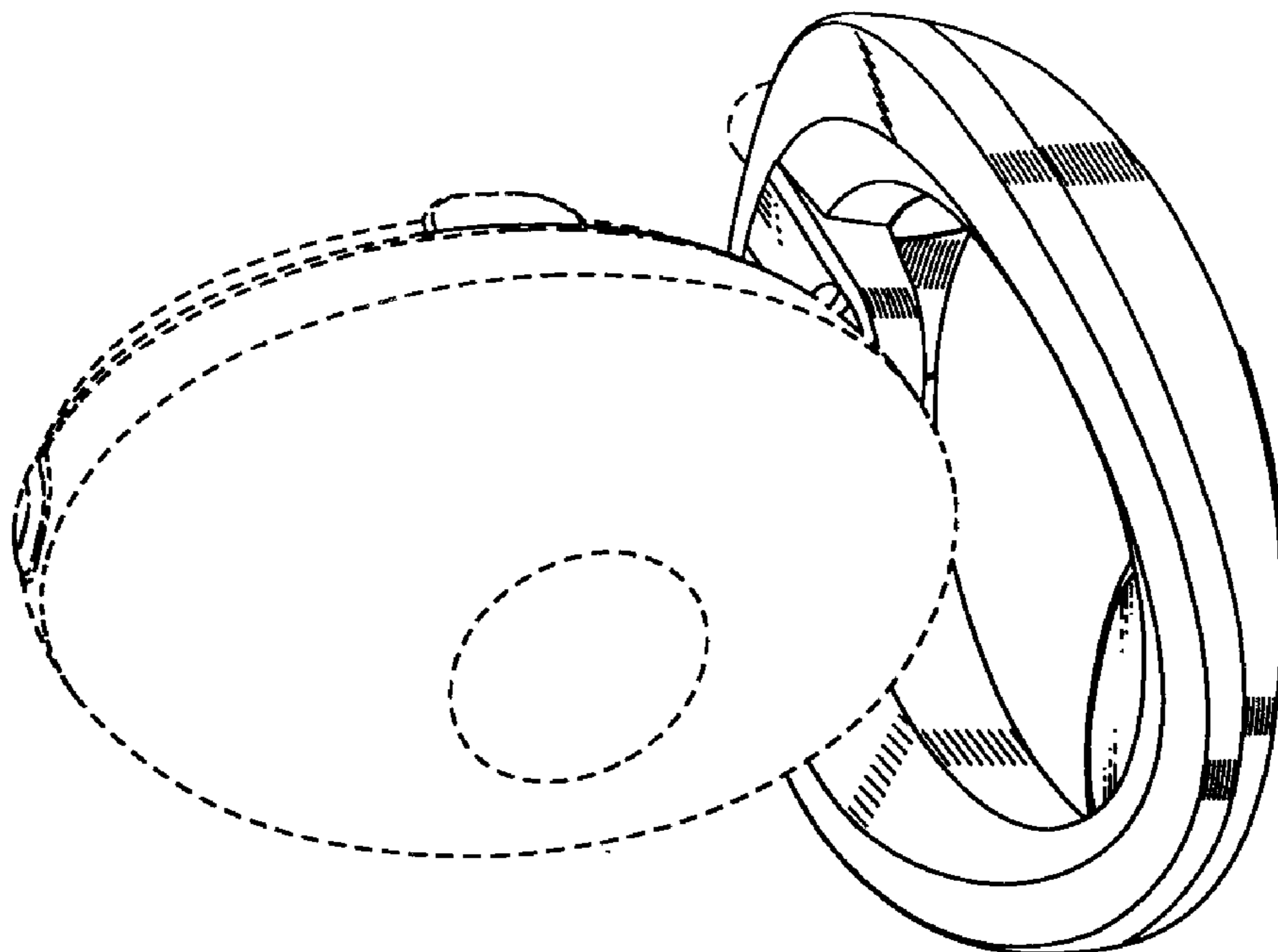


FIG. 1

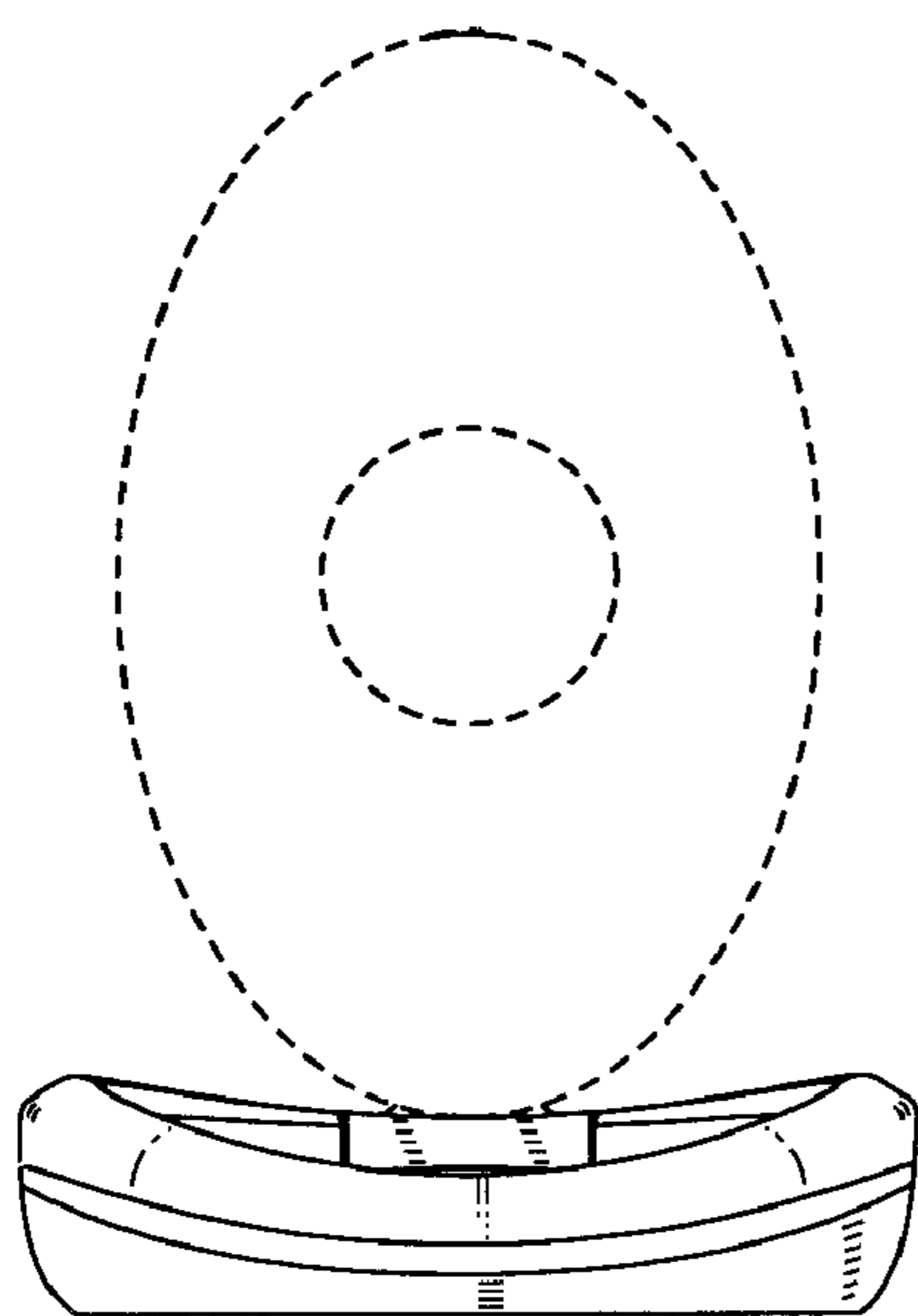


FIG. 3

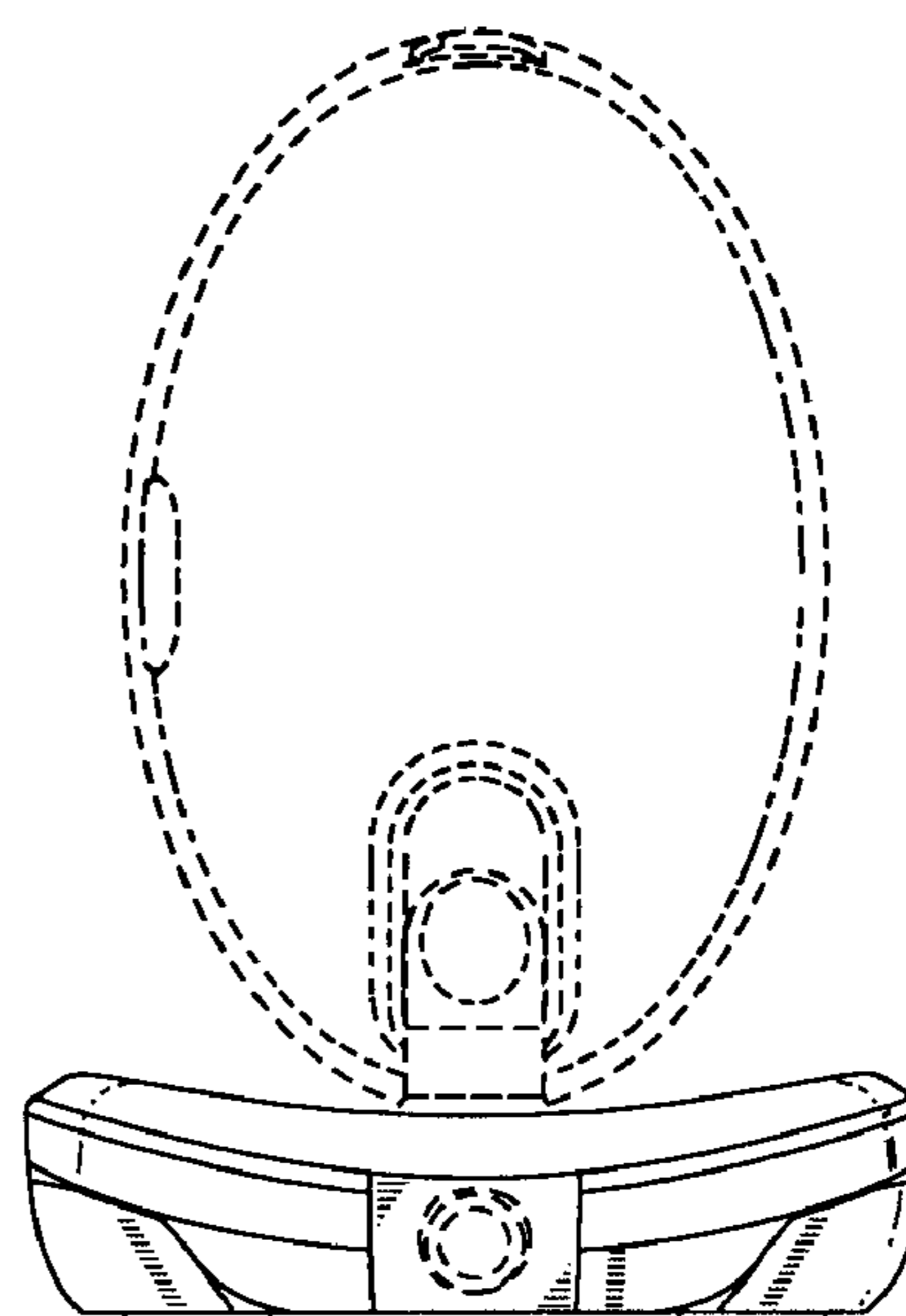


FIG. 4

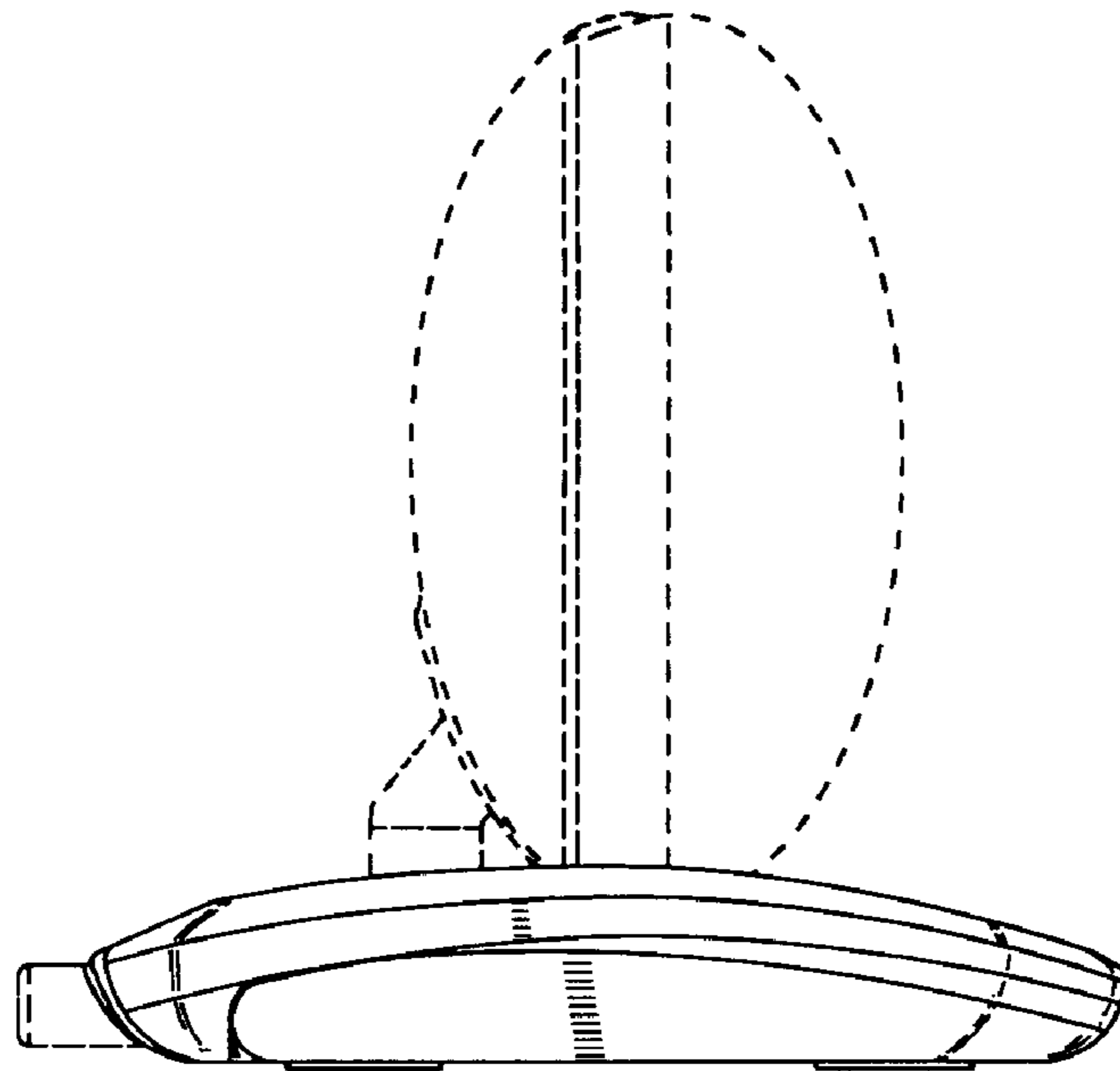


FIG. 5

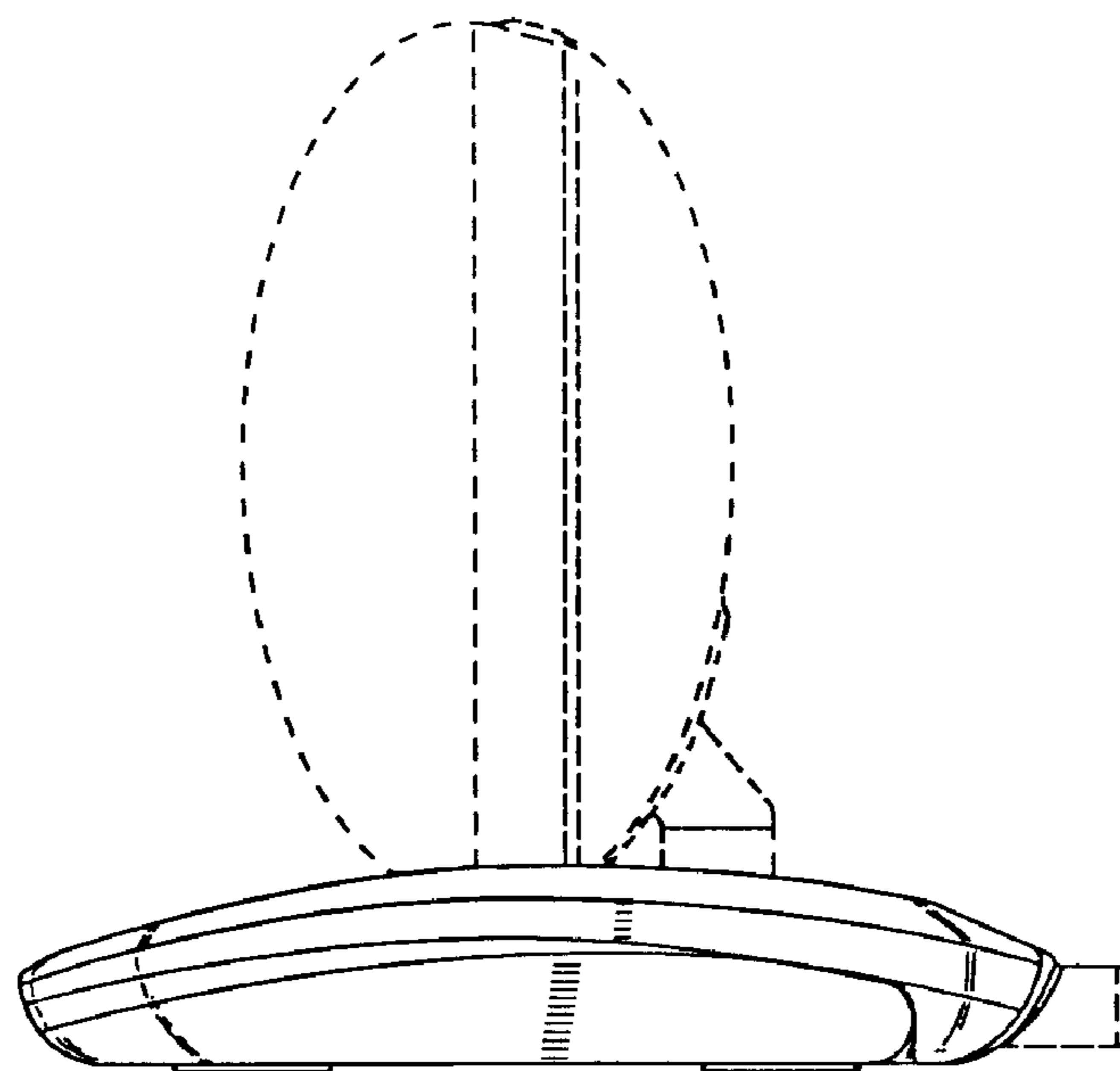


FIG. 6

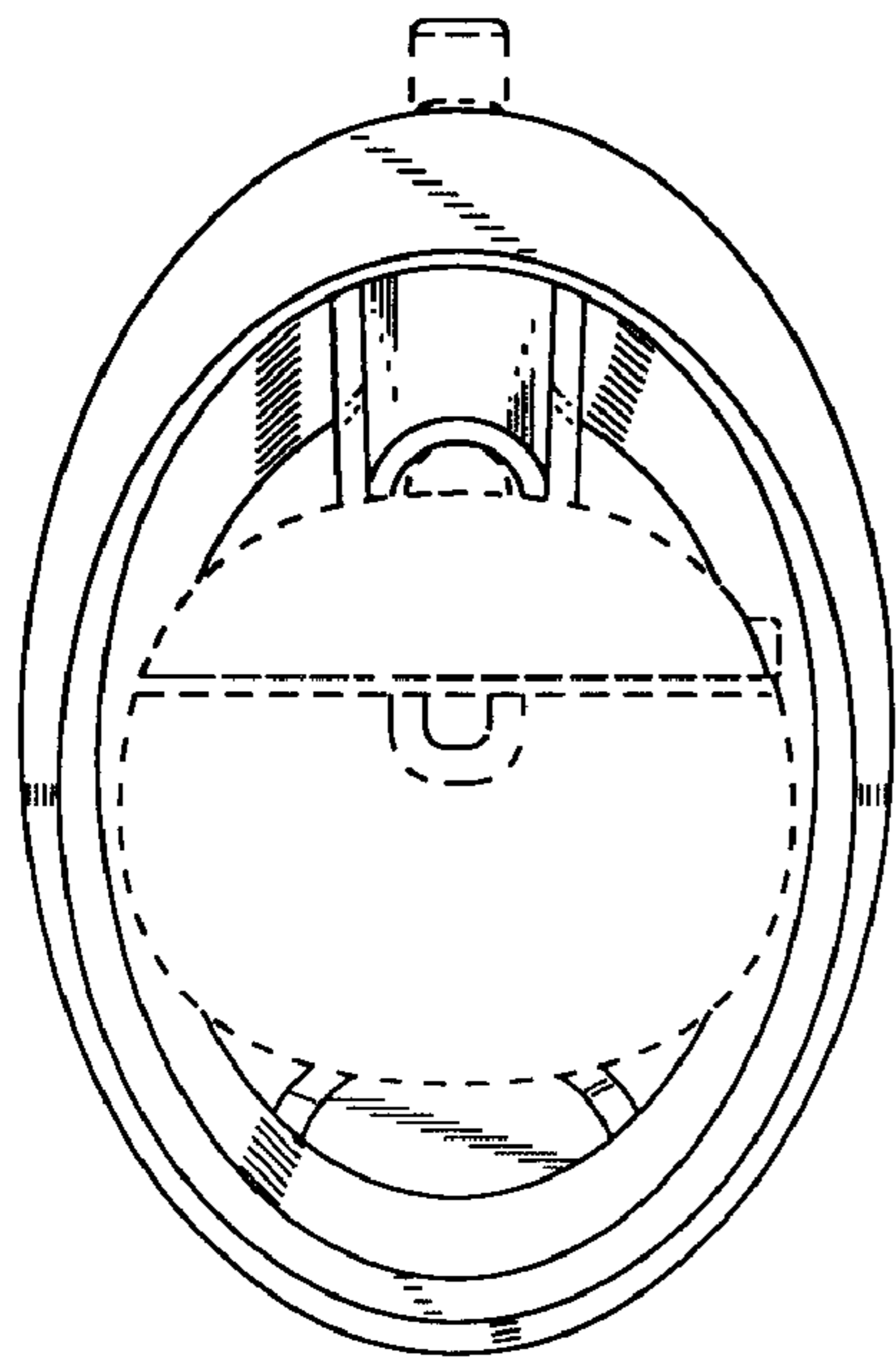


FIG. 7

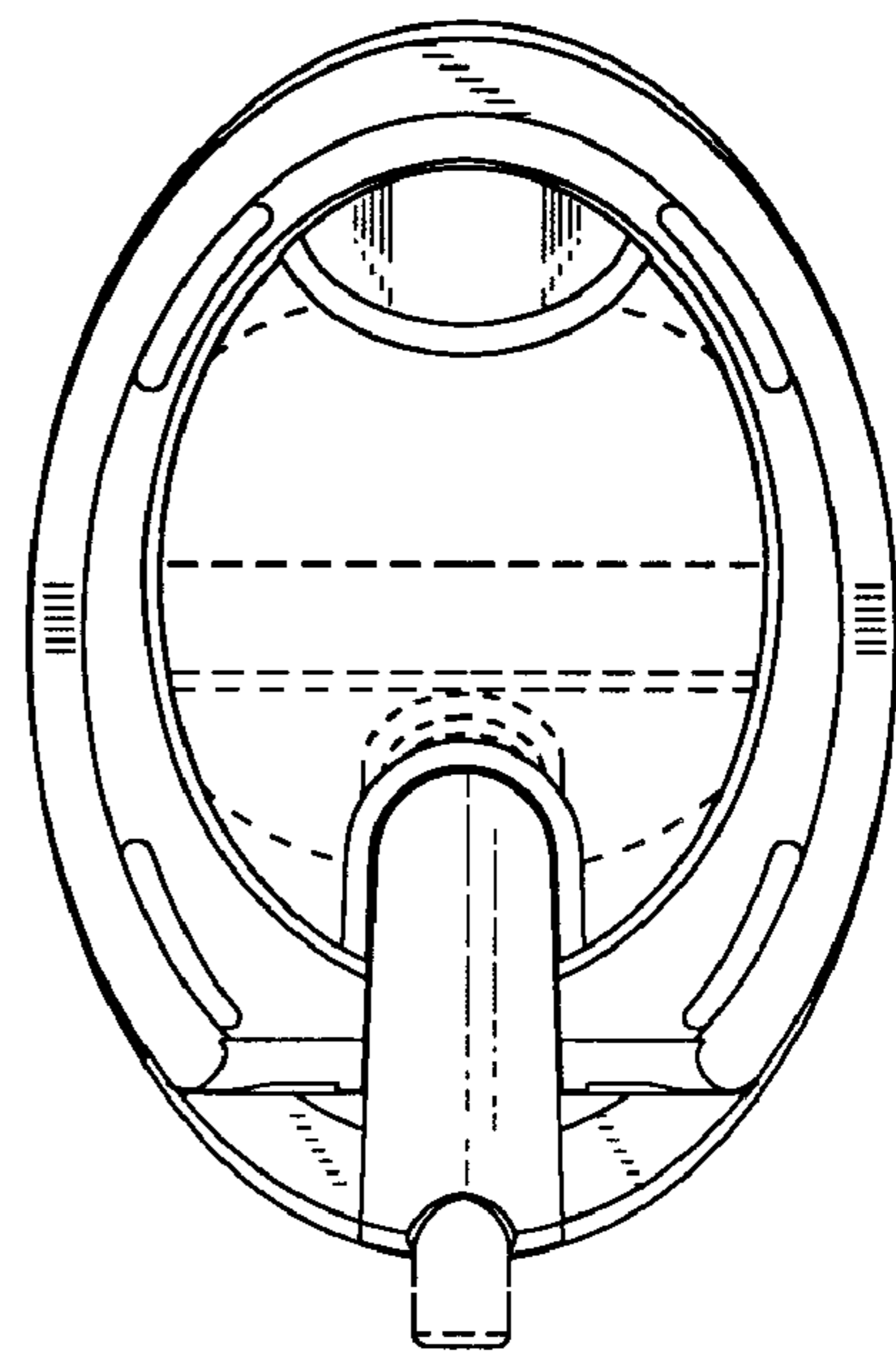


FIG. 8