



US00D529532S

(12) **United States Design Patent**
Naito

(10) **Patent No.:** **US D529,532 S**

(45) **Date of Patent:** **** Oct. 3, 2006**

(54) **DIGITAL CAMERA**

(75) Inventor: **Yoshitaka Naito**, Oume (JP)

(73) Assignee: **Olympus Corporation**, Tokyo (JP)

(**) Term: **14 Years**

(21) Appl. No.: **29/232,709**

(22) Filed: **Jun. 22, 2005**

Related U.S. Application Data

(62) Division of application No. 29/192,088, filed on Oct. 17, 2003, now Pat. No. Des. 514,149.

(30) **Foreign Application Priority Data**

Sep. 10, 2003	(JP)	2003-026491
Sep. 10, 2003	(JP)	2003-026492
Sep. 10, 2003	(JP)	2003-026493
Sep. 10, 2003	(JP)	2003-026494
Sep. 10, 2003	(JP)	2003-026495
Sep. 10, 2003	(JP)	2003-026496
Sep. 10, 2003	(JP)	2003-026497
Sep. 10, 2003	(JP)	2003-026498

(51) **LOC (8) Cl.** **16-05**

(52) **U.S. Cl.** **D16/219**

(58) **Field of Classification Search** D16/200-204,
D16/208, 218, 219; 348/373-376; 358/909.1;
396/535-541

See application file for complete search history.

(56) **References Cited**

U.S. PATENT DOCUMENTS

D234,820 S 4/1975 Kato D16/218

D416,270 S	11/1999	Harata	D16/202
D430,187 S	8/2000	Naito	D16/218
D438,230 S	* 2/2001	Hamamura	D16/219
D442,203 S	5/2001	Suzuki et al.	D16/202
D456,430 S	4/2002	Kobayashi et al.	D16/202
D462,371 S	* 9/2002	Hamamura	D16/202
D462,706 S	* 9/2002	Hamamura	D16/202
6,463,222 B1	10/2002	Ito et al.	396/541
D475,384 S	* 6/2003	Tanaka	D16/202
D482,054 S	* 11/2003	Nasu	D16/202
D484,167 S	* 12/2003	Naito	D16/219
D484,904 S	1/2004	Naito	D16/218
D502,722 S	* 3/2005	Horikiri	D16/219

* cited by examiner

Primary Examiner—Adir Aronovich

(74) *Attorney, Agent, or Firm*—Hogan & Hartson LLP

(57) **CLAIM**

The ornamental design for a digital camera, as shown and described.

DESCRIPTION

FIG. 1 is a front elevational view of a digital camera showing my new design;

FIG. 2 is a rear elevational view thereof;

FIG. 3 is a top plan view thereof;

FIG. 4 is a bottom plan view thereof;

FIG. 5 is a right side elevational view thereof; and,

FIG. 6 is a left side elevational view thereof.

The portions of the camera in broken lines are shown for illustrative purposes only and form no part of the claimed design.

1 Claim, 6 Drawing Sheets

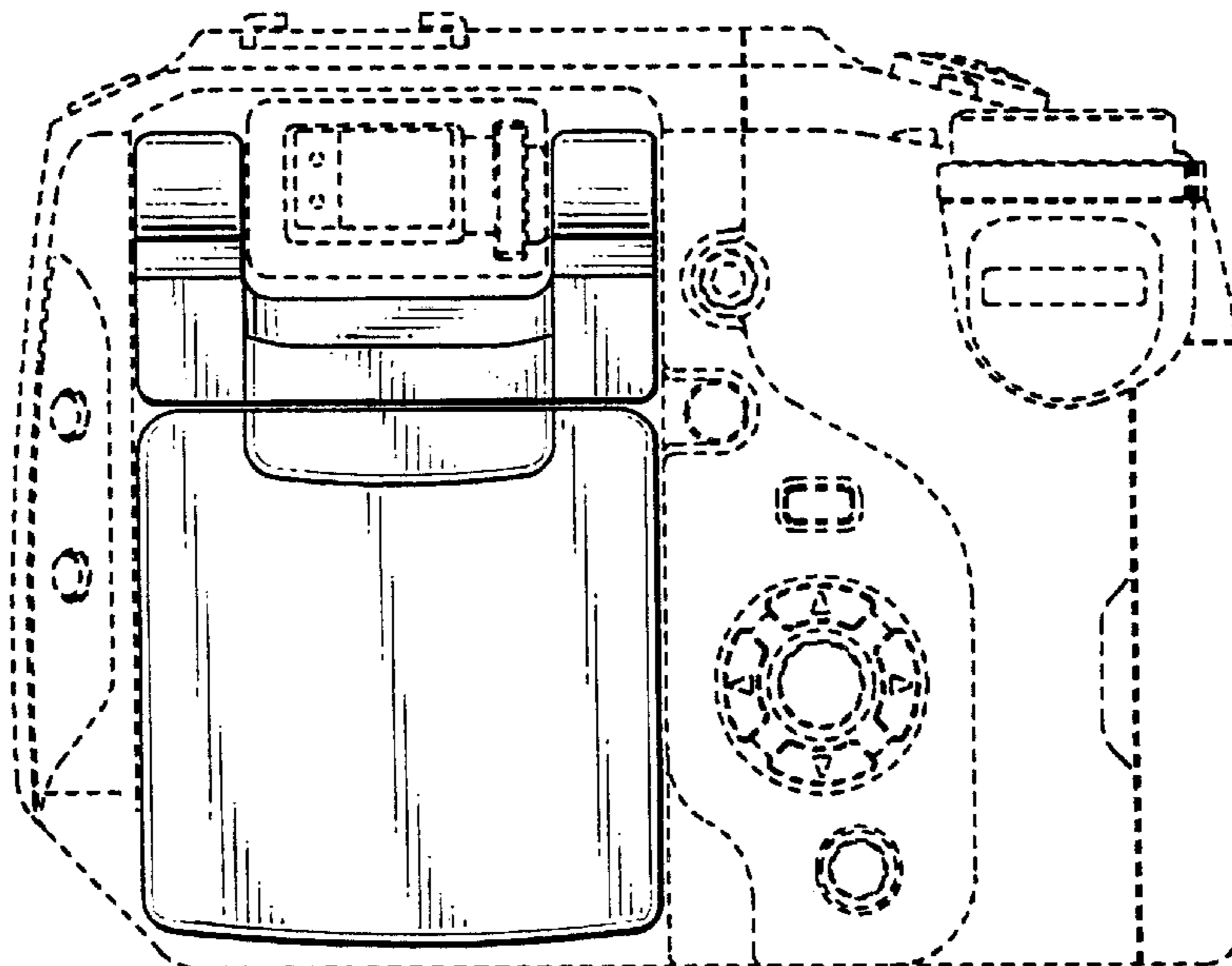


FIG. 1

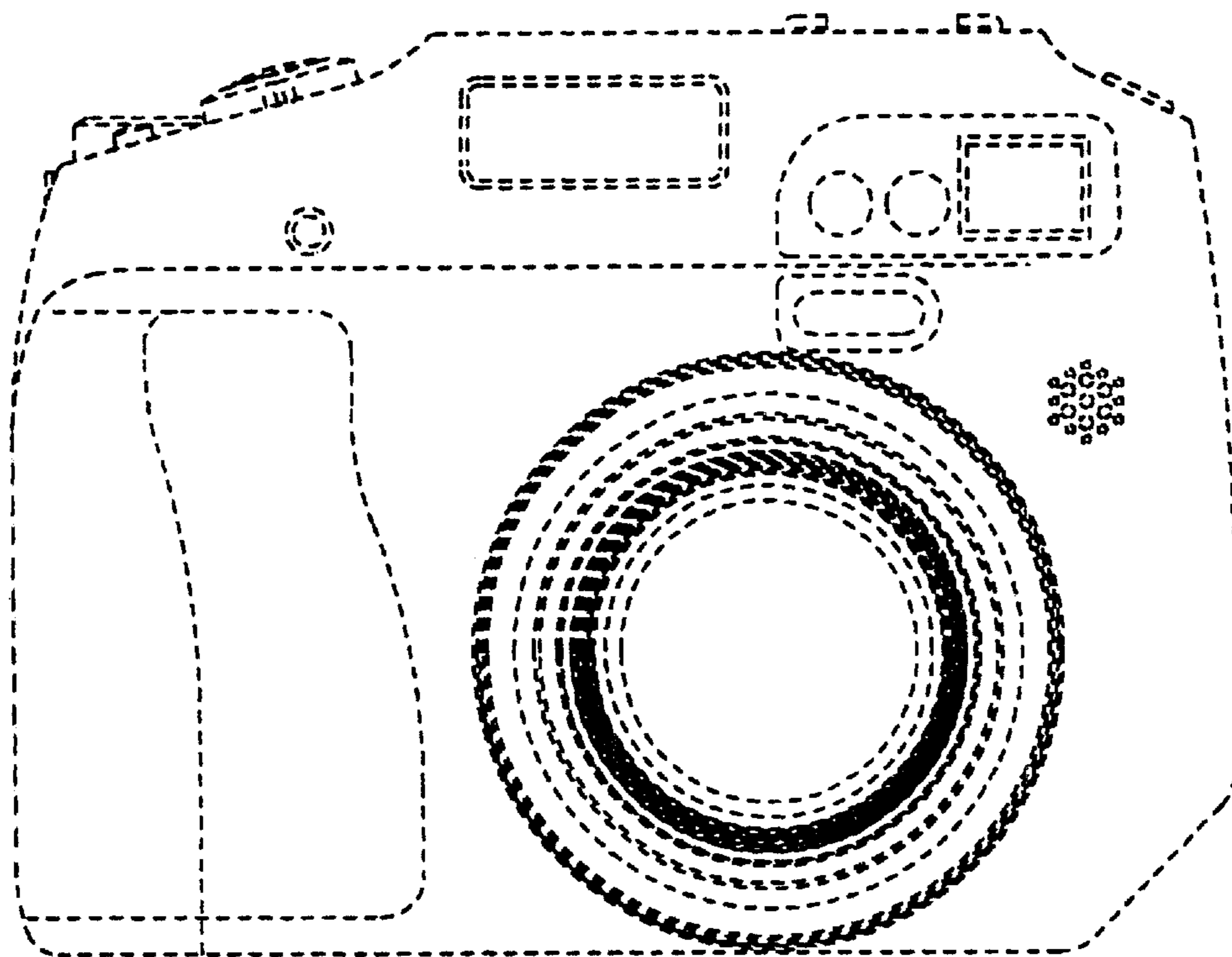


FIG. 2

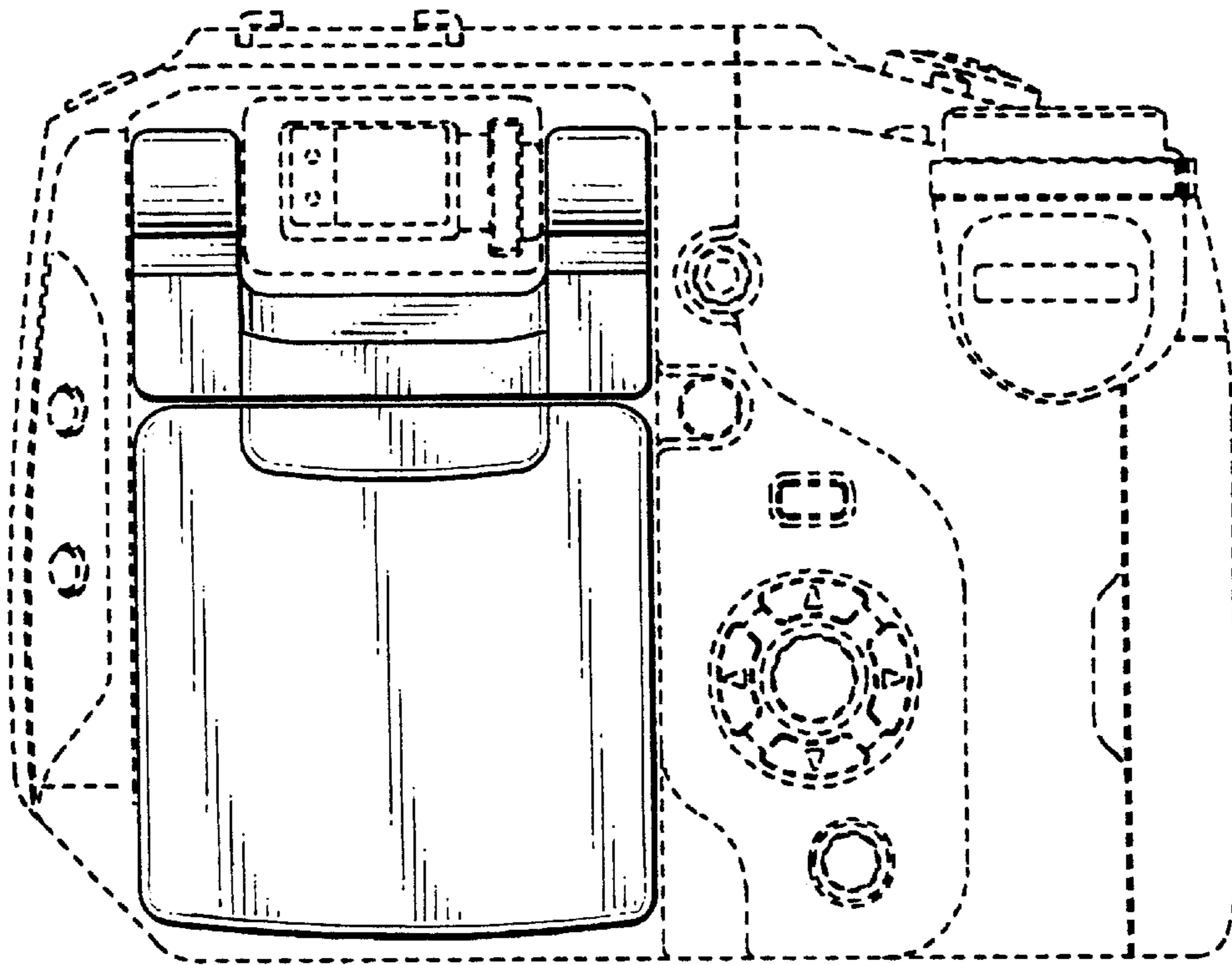


FIG. 3

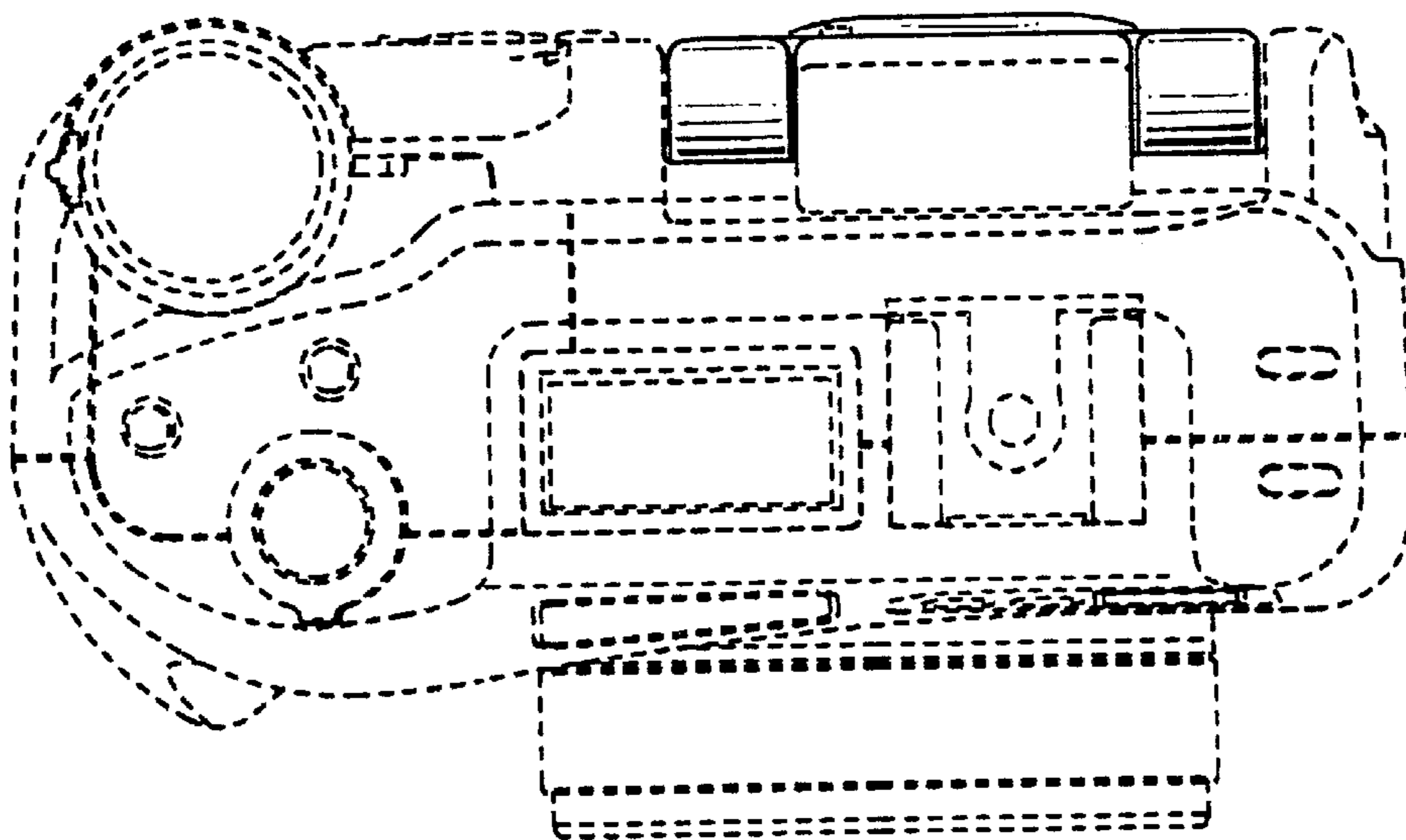


FIG. 4

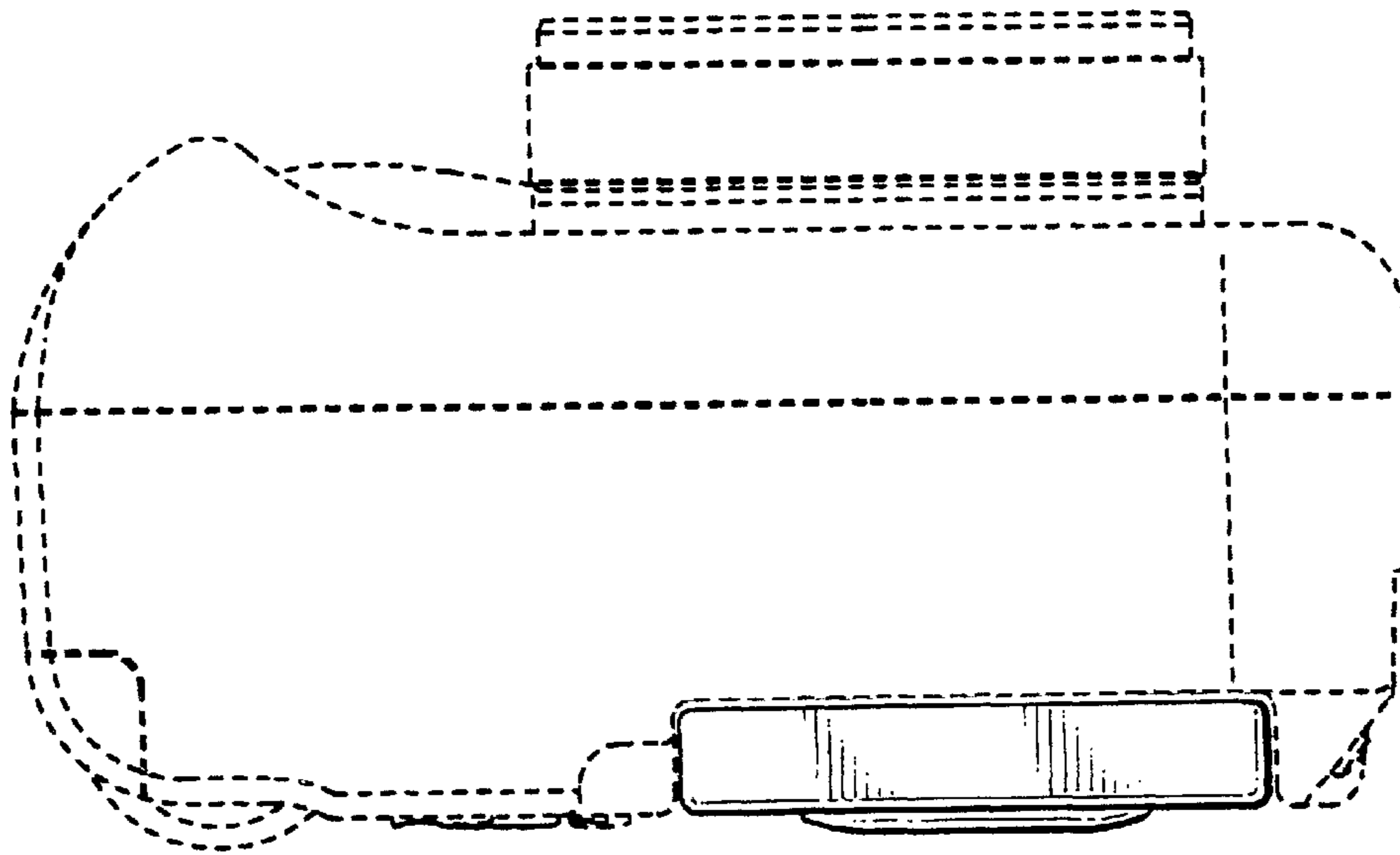


FIG. 5

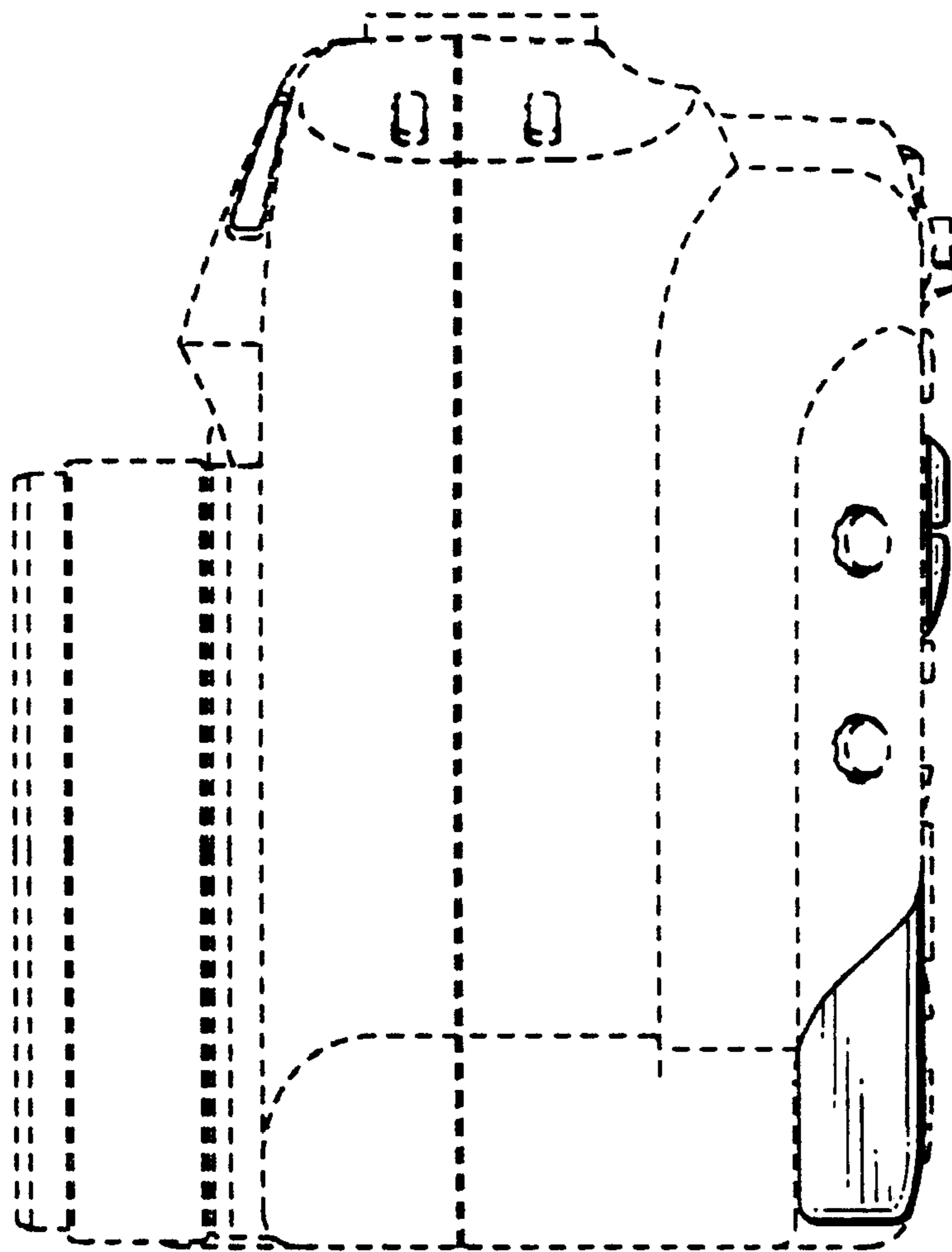


FIG. 6

