



US00D529531S

(12) **United States Design Patent**
Hayashi

(10) **Patent No.:** **US D529,531 S**

(45) **Date of Patent:** **** Oct. 3, 2006**

- (54) **PORTION OF DIGITAL CAMERA**
- (75) Inventor: **Yoshihiro Hayashi**, Hachioji (JP)
- (73) Assignee: **Olympus Corporation**, Tokyo (JP)
- (**) Term: **14 Years**

- D387,078 S * 12/1997 Akita D16/202
- D423,544 S * 4/2000 Yamamoto et al. D16/218
- D475,071 S * 5/2003 Nagano D16/202
- D484,167 S * 12/2003 Naito D16/219
- D484,902 S * 1/2004 Baba D16/202
- 6,788,894 B1 * 9/2004 Suzuki et al. 396/535
- D501,014 S * 1/2005 Hayashi D16/202

- (21) Appl. No.: **29/218,323**
- (22) Filed: **Nov. 29, 2004**

* cited by examiner

Related U.S. Application Data

- (63) Continuation-in-part of application No. 29/186,030, filed on Jul. 7, 2003, now Pat. No. Des. 506,490.

Primary Examiner—Adir Aronovich
(74) *Attorney, Agent, or Firm*—Hogan & Hartson LLP

(30) **Foreign Application Priority Data**

- May 28, 2003 (JP) 2003-014911
- May 28, 2003 (JP) 2003-014912
- May 28, 2003 (JP) 2003-014914
- May 28, 2003 (JP) 2003-014915
- May 28, 2003 (JP) 2003-014916
- May 28, 2003 (JP) 2003-014917

(57) **CLAIM**

The ornamental design for a portion of digital camera, as shown and described.

- (51) **LOC (8) Cl.** **16-05**
- (52) **U.S. Cl.** **D16/219; D16/202**
- (58) **Field of Classification Search** D16/200–204,
D16/208, 218, 219, 237; 348/373–376; 358/906,
358/909.1; 396/535–541
See application file for complete search history.

DESCRIPTION

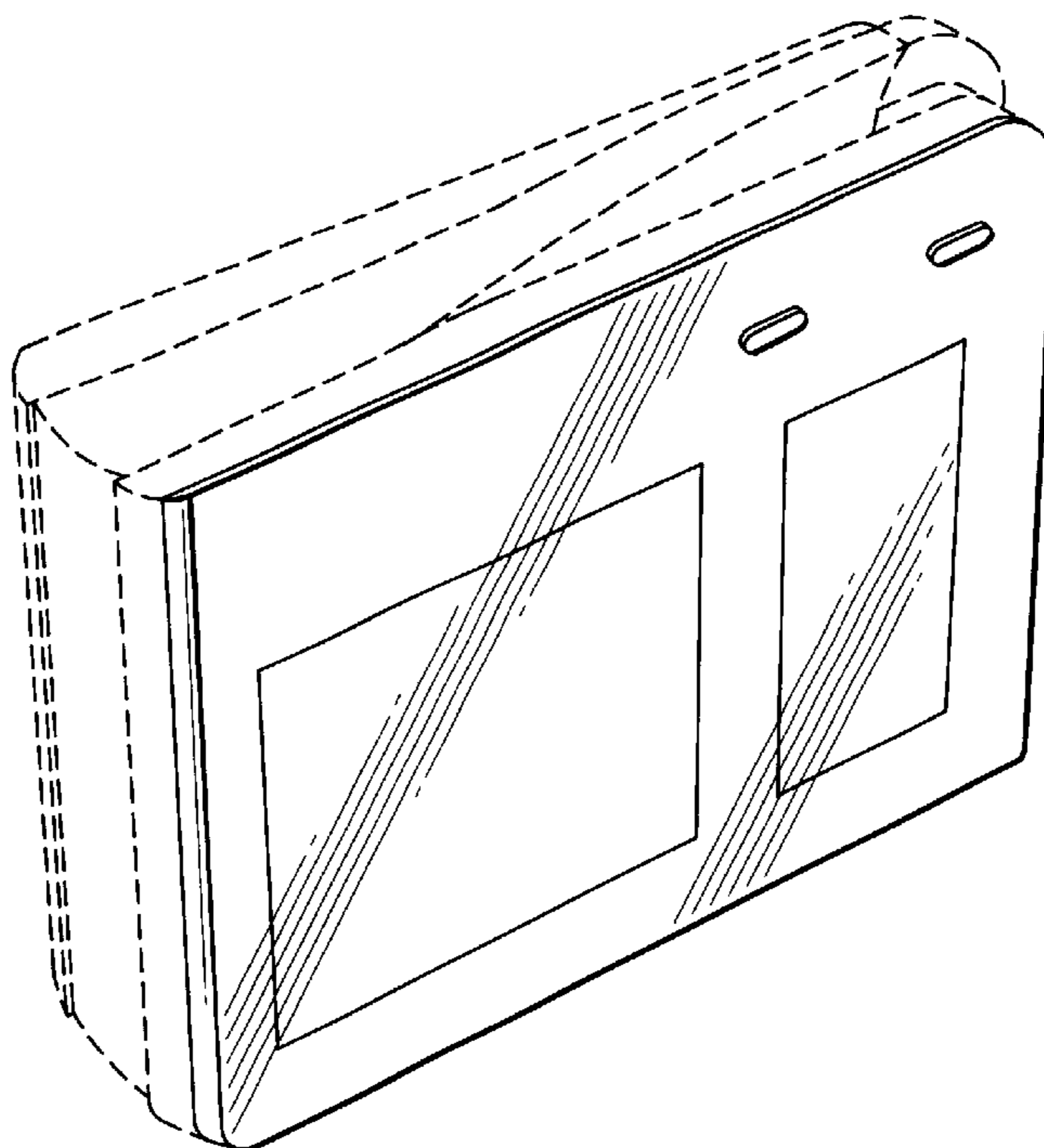
FIG. 1 is a rear, top and right side perspective view of a portion of a digital camera showing my new design;
 FIG. 2 is a front, top and left side perspective view thereof;
 FIG. 3 is a top plan view thereof;
 FIG. 4 is a left side elevational view thereof;
 FIG. 5 is a front elevational view thereof;
 FIG. 6 is a right side elevational view thereof;
 FIG. 7 is a bottom plan view thereof; and,
 FIG. 8 is a rear elevational view thereof.

(56) **References Cited**

U.S. PATENT DOCUMENTS

- 4,456,931 A * 6/1984 Toyoda et al. 358/906

1 Claim, 2 Drawing Sheets



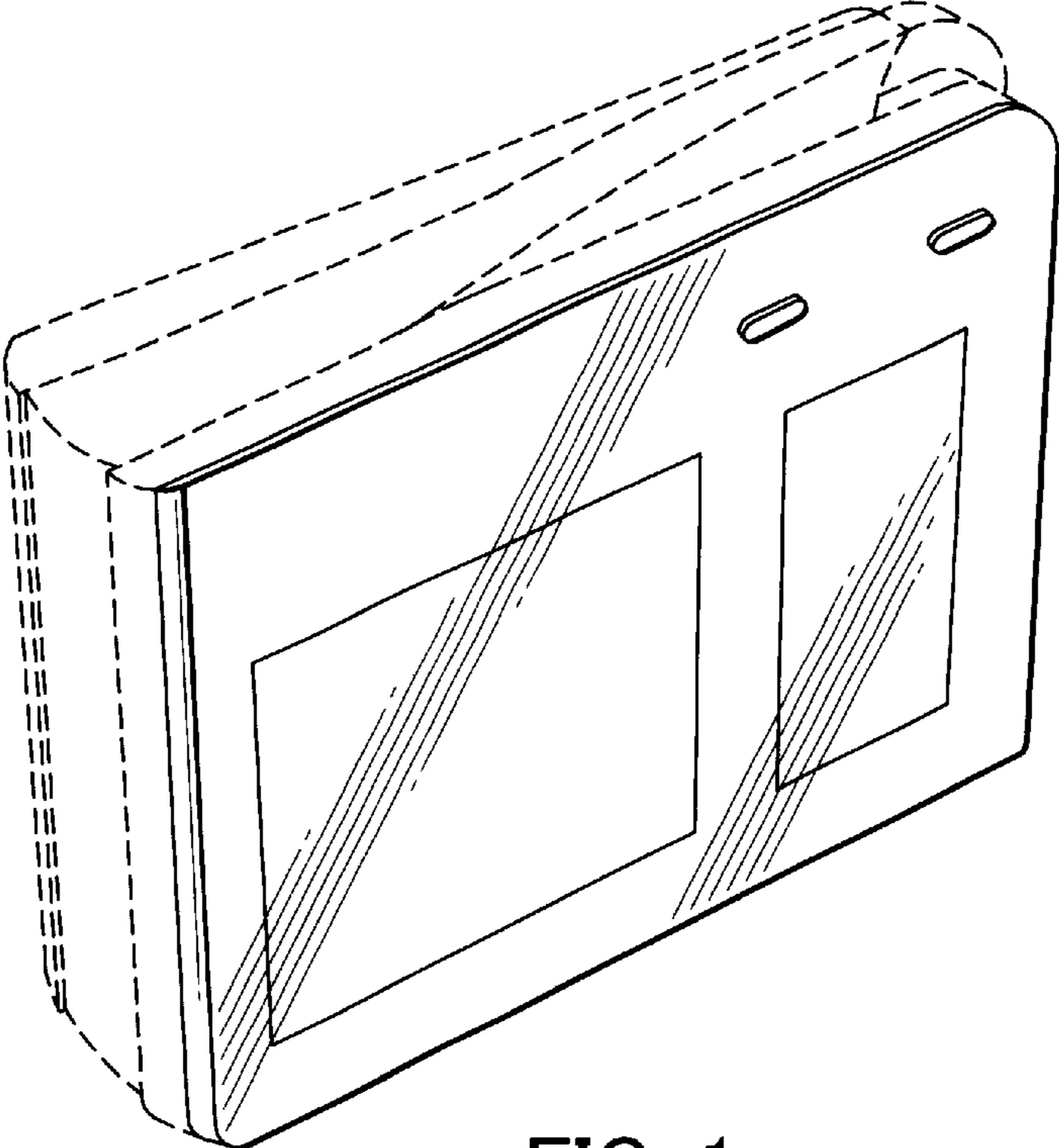


FIG. 1

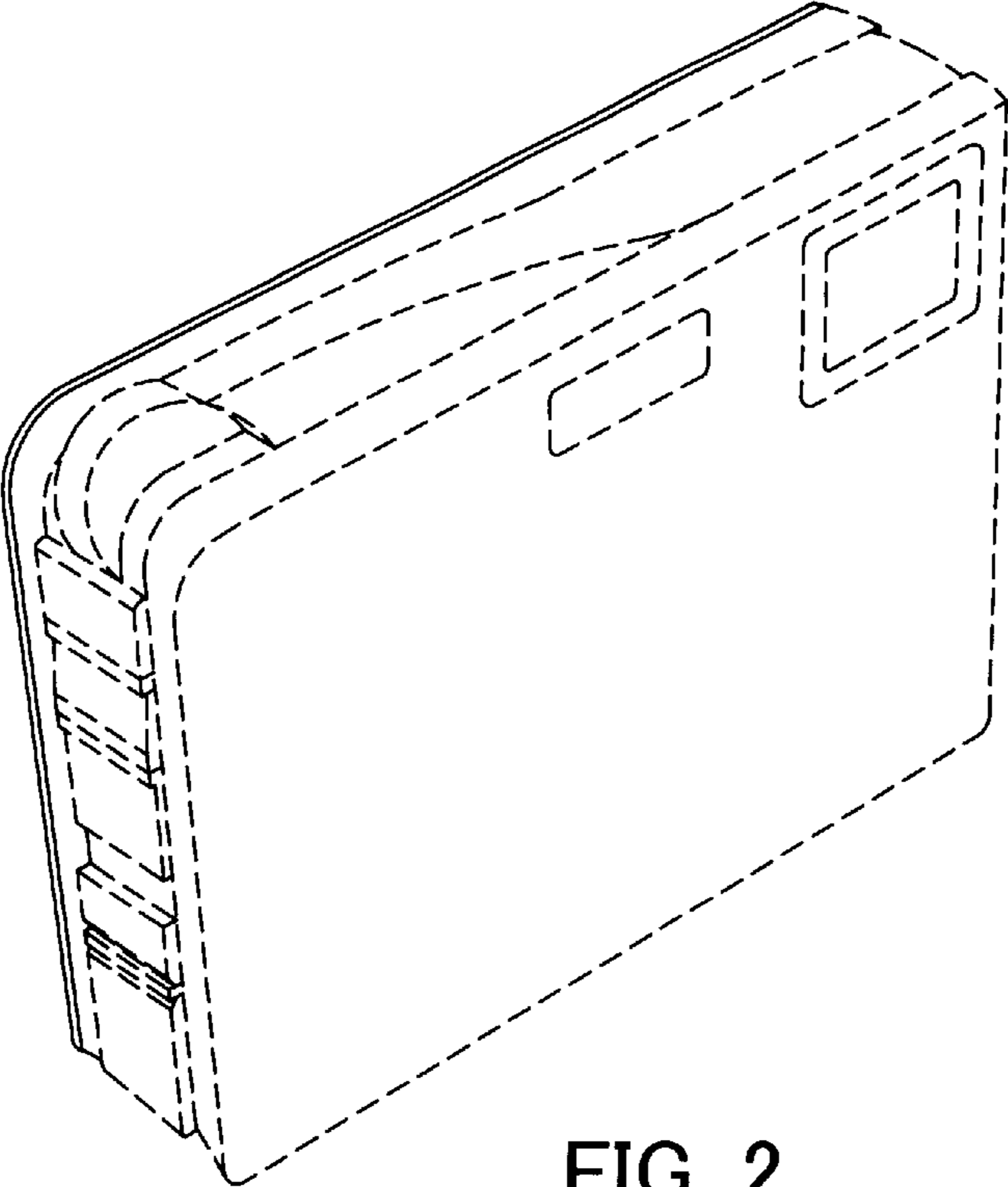


FIG. 2

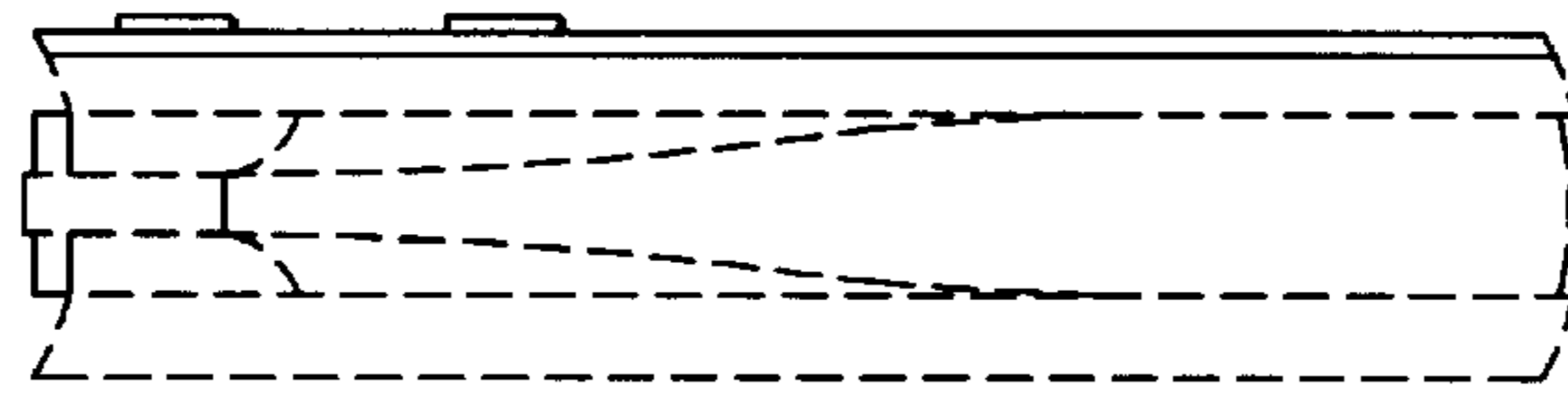


FIG. 3

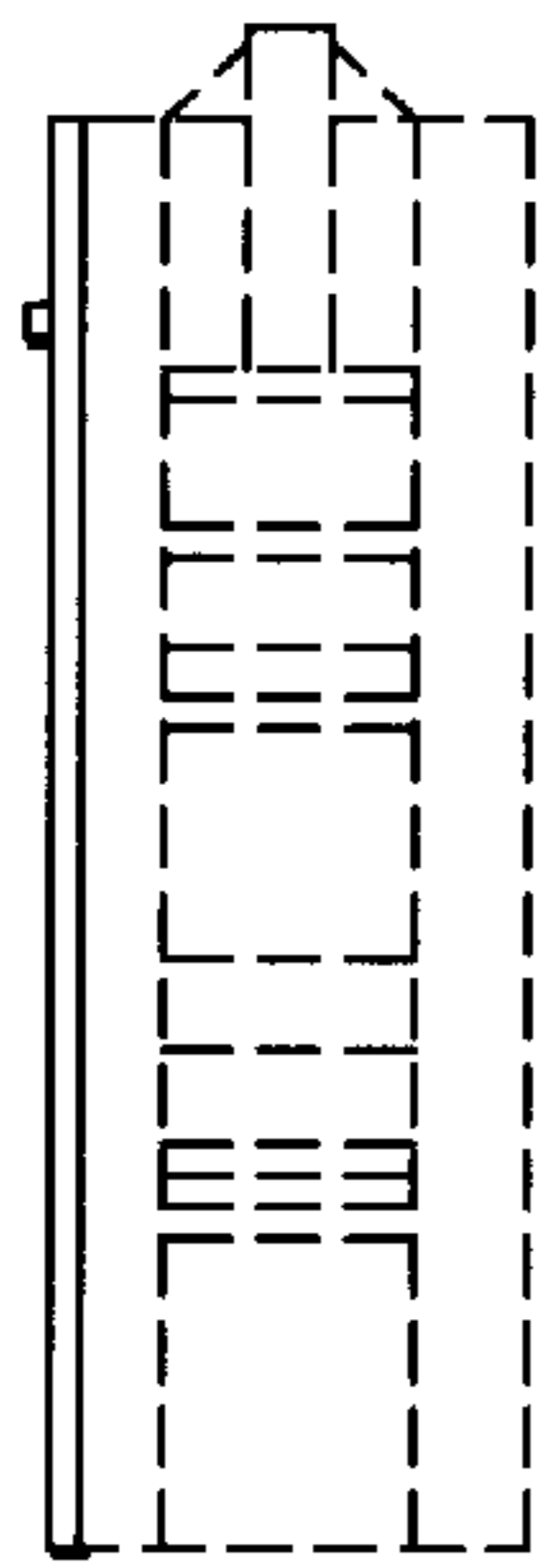


FIG. 4

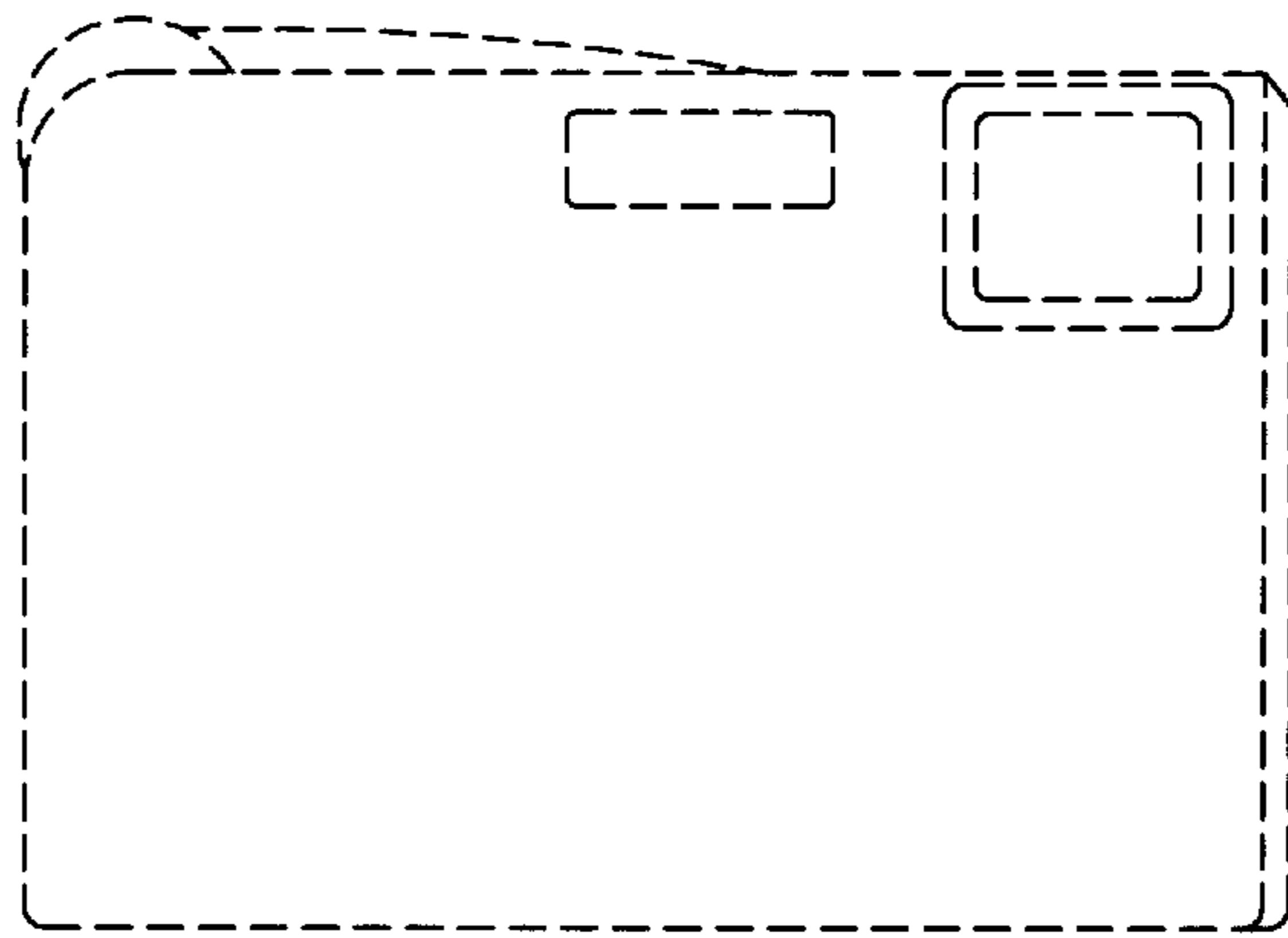


FIG. 5

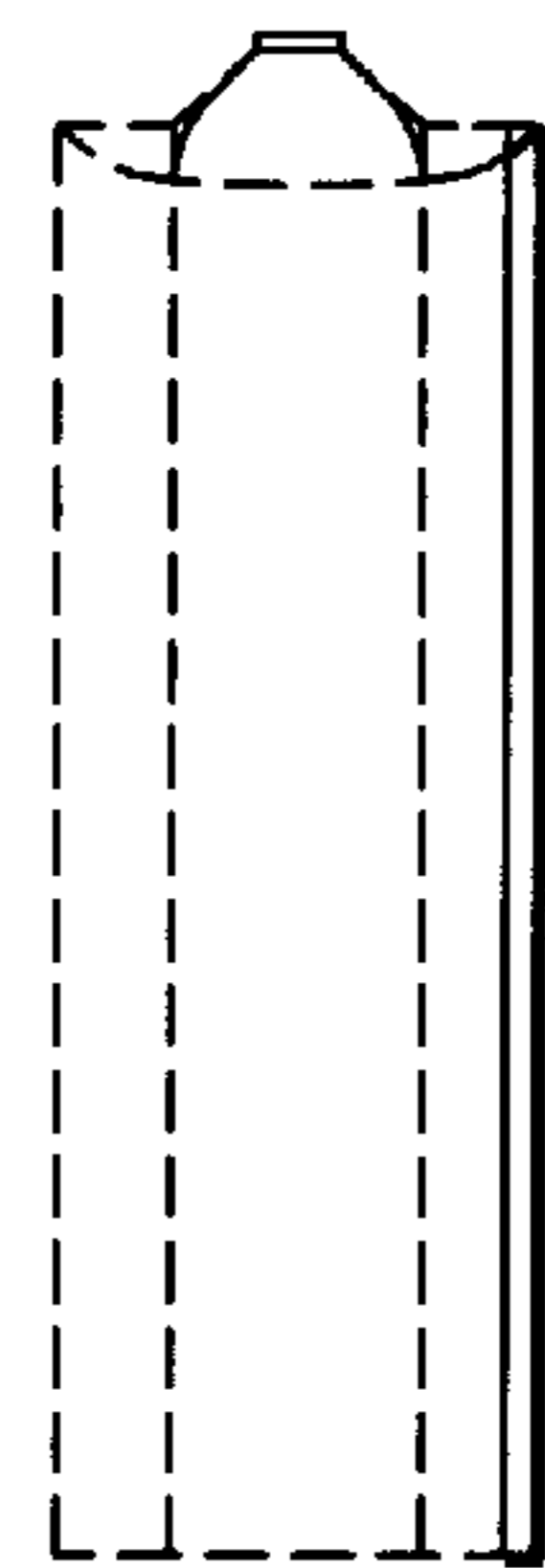


FIG. 6

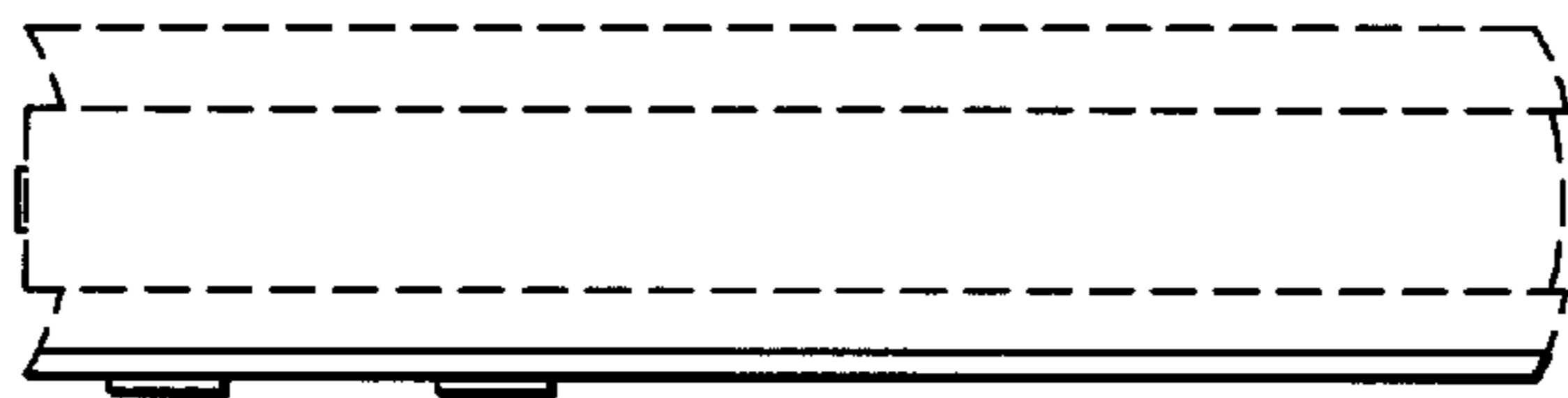


FIG. 7

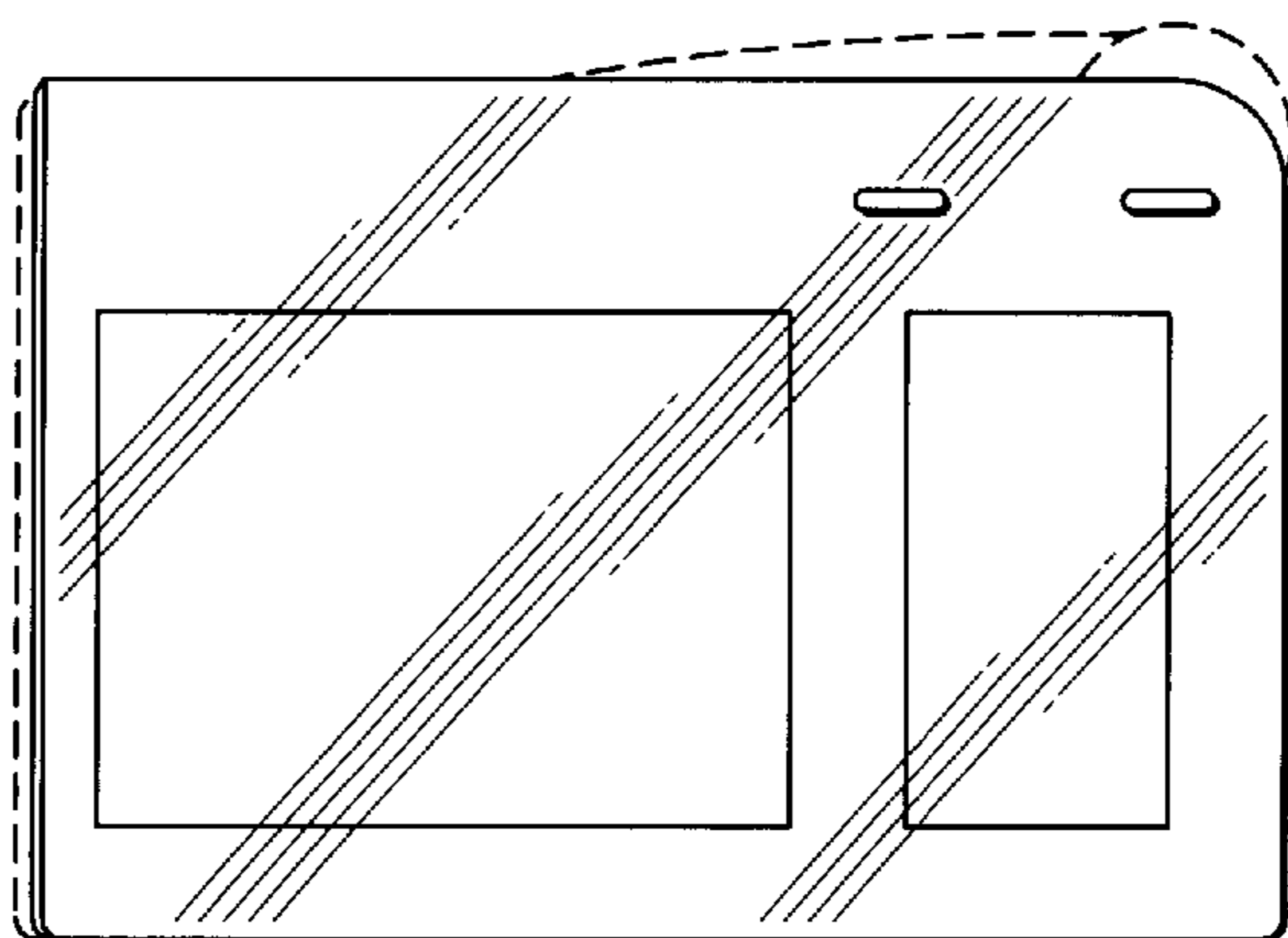


FIG. 8

UNITED STATES PATENT AND TRADEMARK OFFICE
CERTIFICATE OF CORRECTION

PATENT NO. : Des. 529,531 S
APPLICATION NO. : 29/218323
DATED : October 3, 2006
INVENTOR(S) : Yoshihiro Hayashi

Page 1 of 4

It is certified that error appears in the above-identified patent and that said Letters Patent is hereby corrected as shown below:

The Title Page, showing an illustrative figure, should be deleted and substitute therefor the attached title page.

Delete drawings sheets 1-3 and substitute therefor the drawing sheets, consisting of figs. 1-8 as shown on the attached page.

Signed and Sealed this

Eleventh Day of September, 2007

A handwritten signature in black ink on a dotted background. The signature reads "Jon W. Dudas" in a cursive style.

JON W. DUDAS

Director of the United States Patent and Trademark Office

(12) **United States Design Patent** (10) Patent No.: **US D529,531 S**
Hayashi (45) Date of Patent: ** **Oct. 3, 2006**

(54) **PORTION OF DIGITAL CAMERA**

(75) Inventor: **Yoshihiro Hayashi, Hachioji (JP)**

(73) Assignee: **Olympus Corporation, Tokyo (JP)**

(**) Term: **14 Years**

D387,078 S	*	12/1997	Akita	D16/202
D423,544 S	*	4/2000	Yamamoto et al.	D16/218
D475,071 S	*	5/2003	Nagano	D16/202
D484,167 S	*	12/2003	Naito	D16/219
D484,992 S	*	1/2004	Baba	D16/202
6,788,894 B1	*	9/2004	Suzuki et al.	396/535
D501,014 S	*	1/2005	Hayashi	D16/202

* cited by examiner

(21) Appl. No.: **29/218,323**

(22) Filed: **Nov. 29, 2004**

Related U.S. Application Data

(63) Continuation-in-part of application No. 29/185,030, filed on Jul. 7, 2003, now Pat. No. Des. 506,490.

(30) **Foreign Application Priority Data**

May 28, 2003	(JP)	2003-014911
May 28, 2003	(JP)	2003-014912
May 28, 2003	(JP)	2003-014914
May 28, 2003	(JP)	2003-014915
May 28, 2003	(JP)	2003-014916
May 28, 2003	(JP)	2003-014917

(51) **LOC (8) Cl.** **16-05**

(52) **U.S. Cl.** **D16/219; D16/202**

(58) **Field of Classification Search** **D16/200-204, D16/208, 218, 219, 237; 348/373-376; 358/906, 358/909.1; 396/535-541**

See application file for complete search history.

(56) **References Cited**

U.S. PATENT DOCUMENTS

4,456,931 A * 6/1984 Toyoda et al. 358/906

Primary Examiner—Adir Aronovich
 (74) *Attorney, Agent, or Firm*—Hogan & Hartson LLP

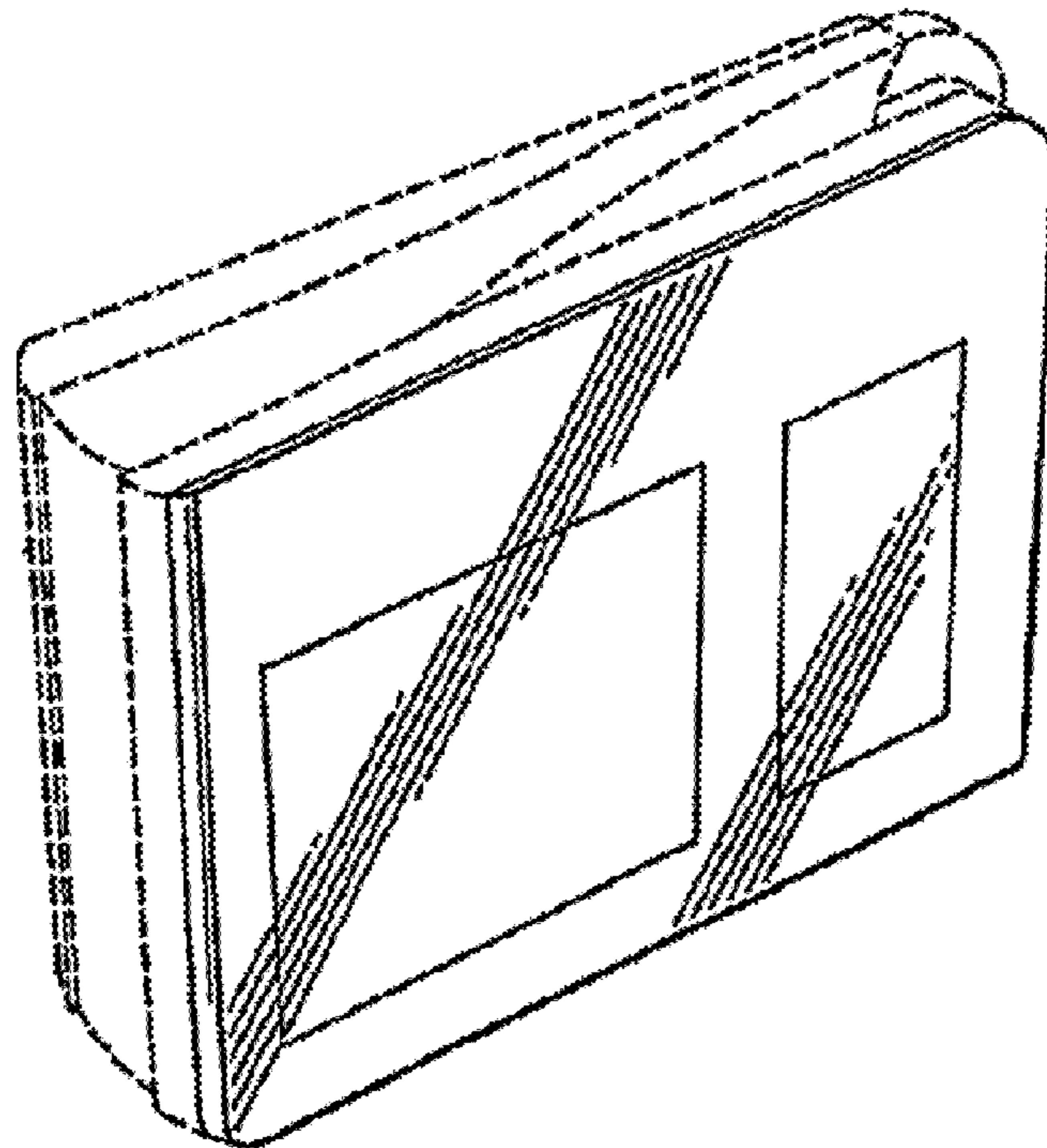
(57) **CLAIM**

The ornamental design for a portion of digital camera, as shown and described.

DESCRIPTION

FIG. 1 is a rear, top and right side perspective view of a portion of a digital camera showing my new design;
 FIG. 2 is a front, top and left side perspective view thereof;
 FIG. 3 is a top plan view thereof;
 FIG. 4 is a left side elevational view thereof;
 FIG. 5 is a front elevational view thereof;
 FIG. 6 is a right side elevational view thereof;
 FIG. 7 is a bottom plan view thereof; and,
 FIG. 8 is a rear elevational view thereof.

1 Claim, 3 Drawing Sheets



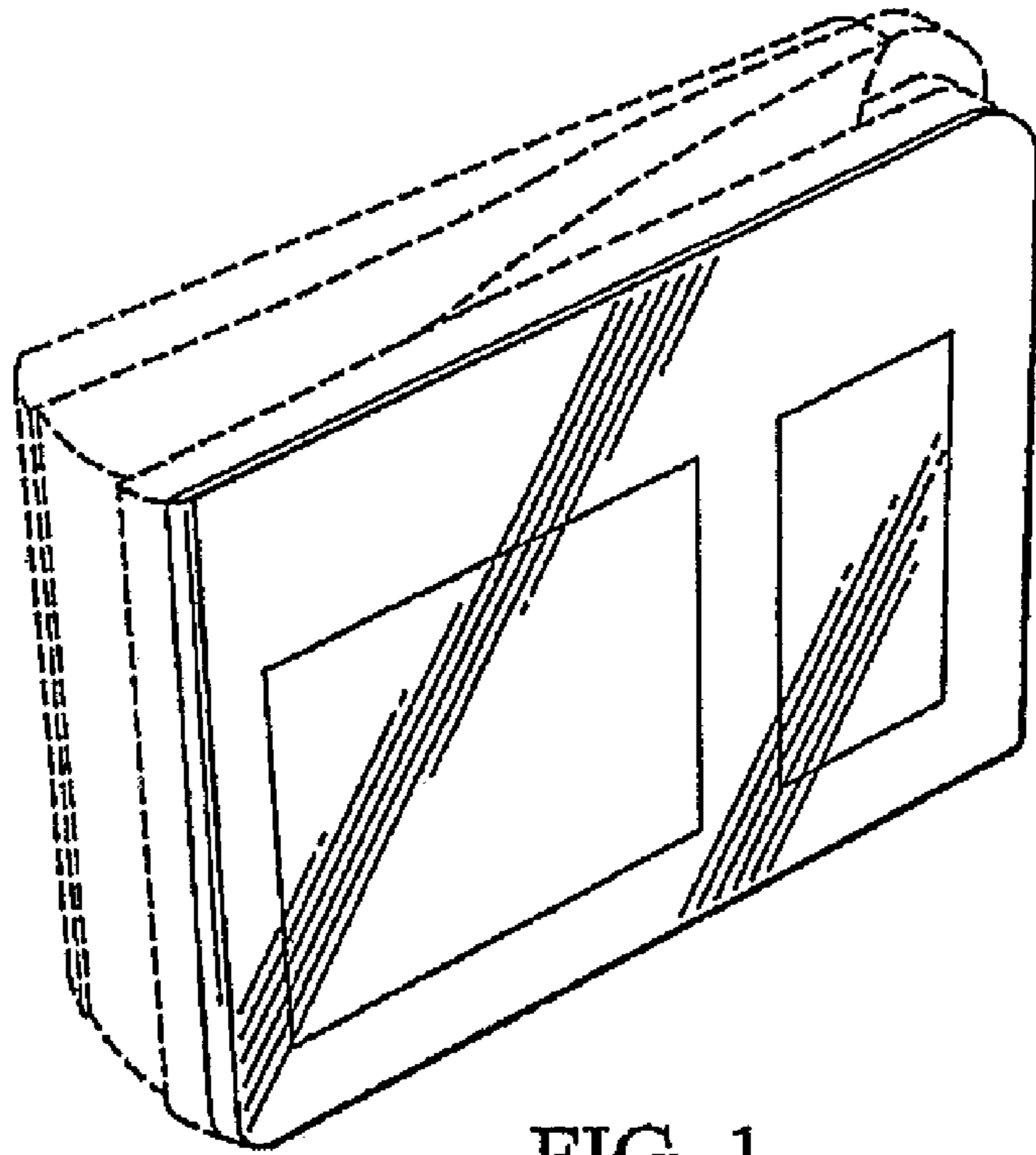


FIG. 1

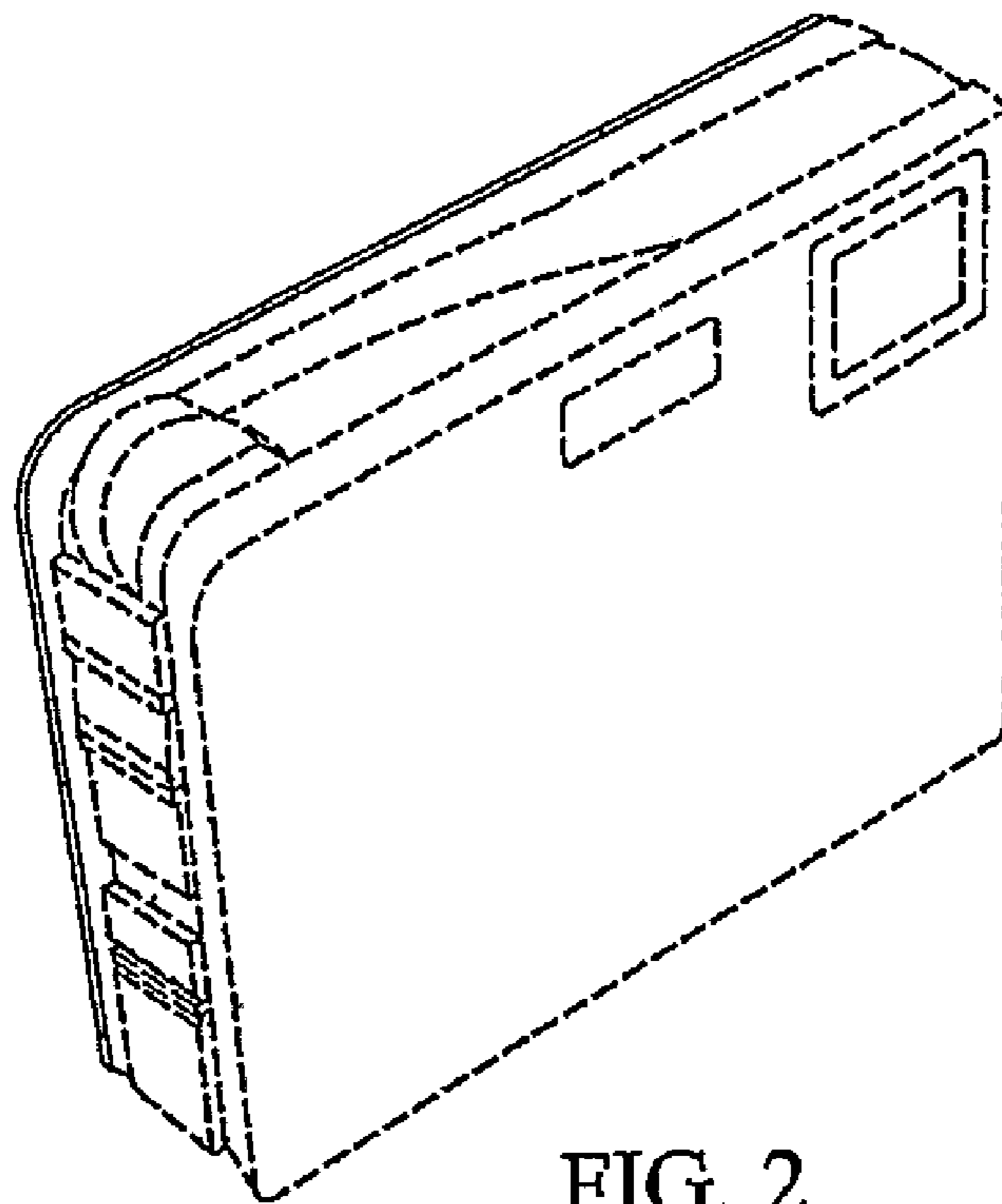


FIG. 2

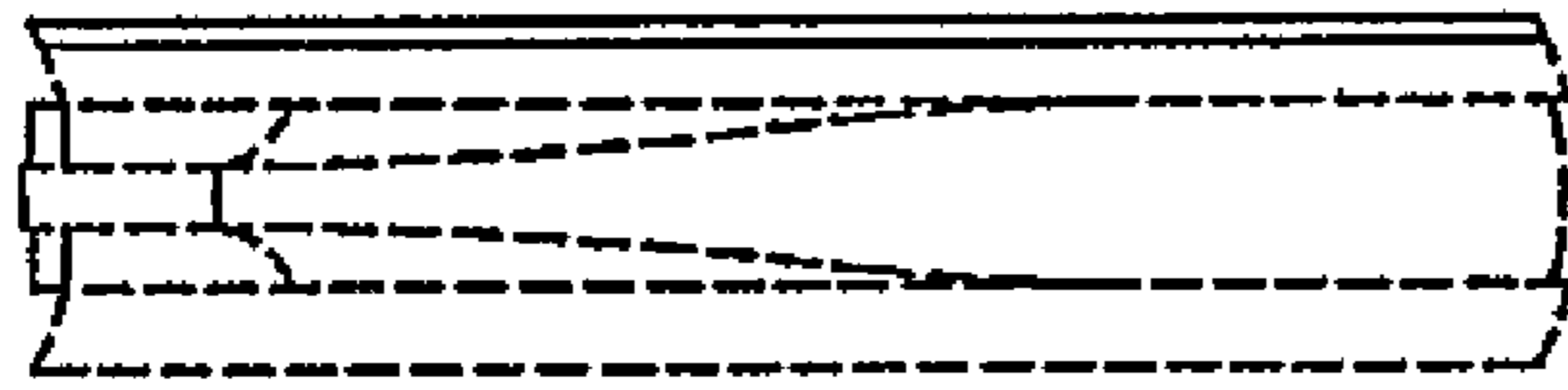


FIG. 3

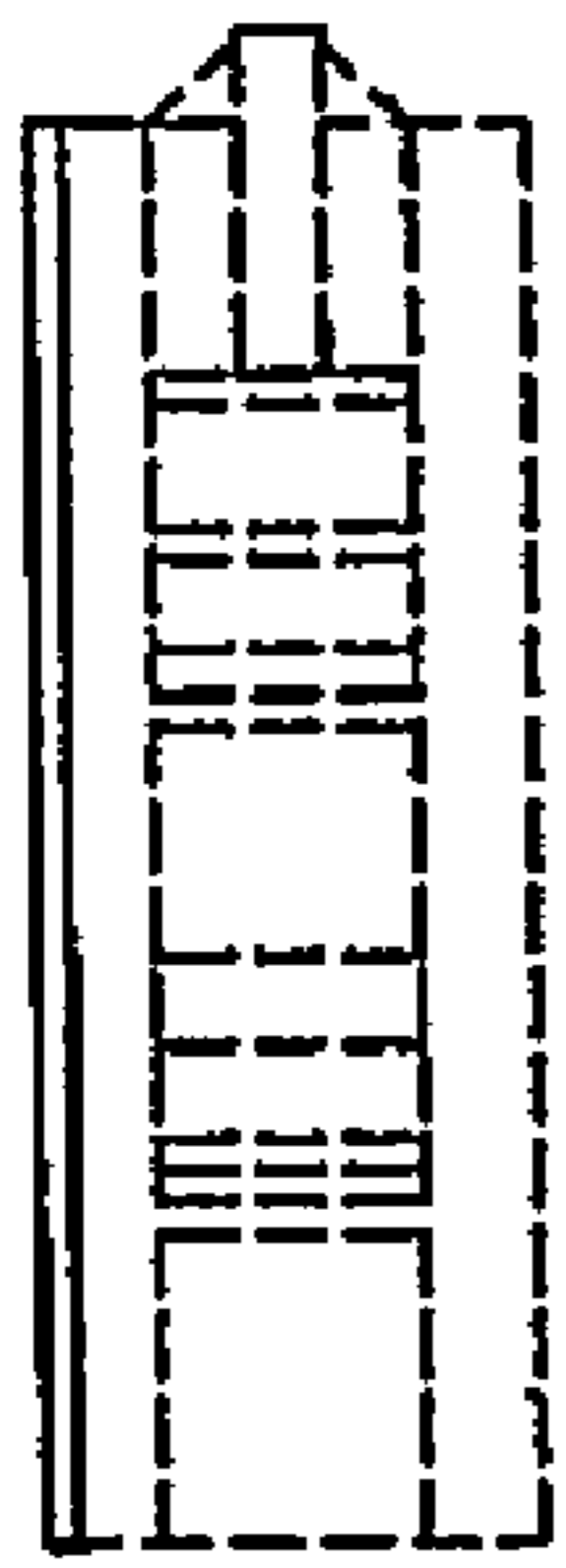


FIG. 4

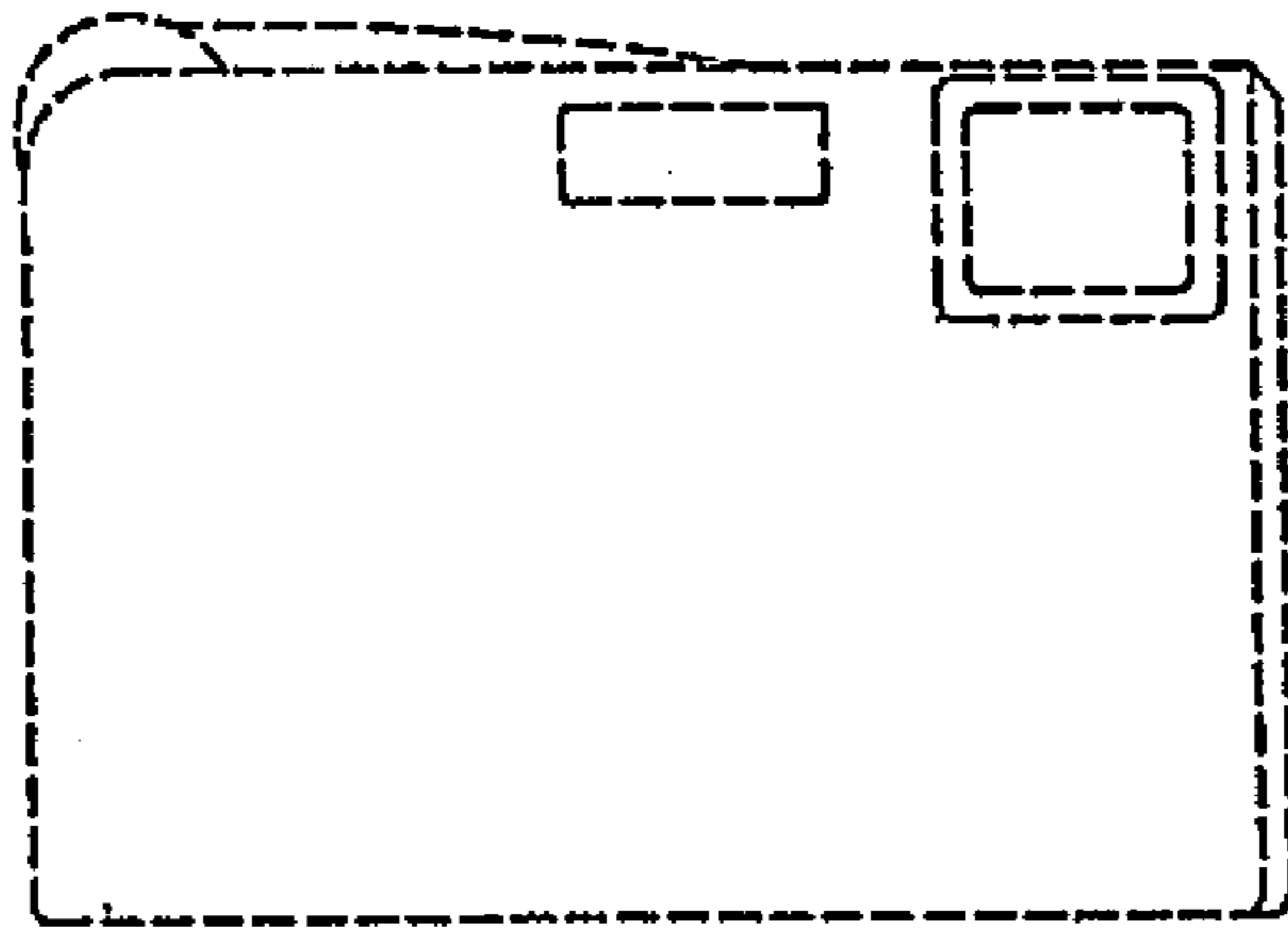


FIG. 5

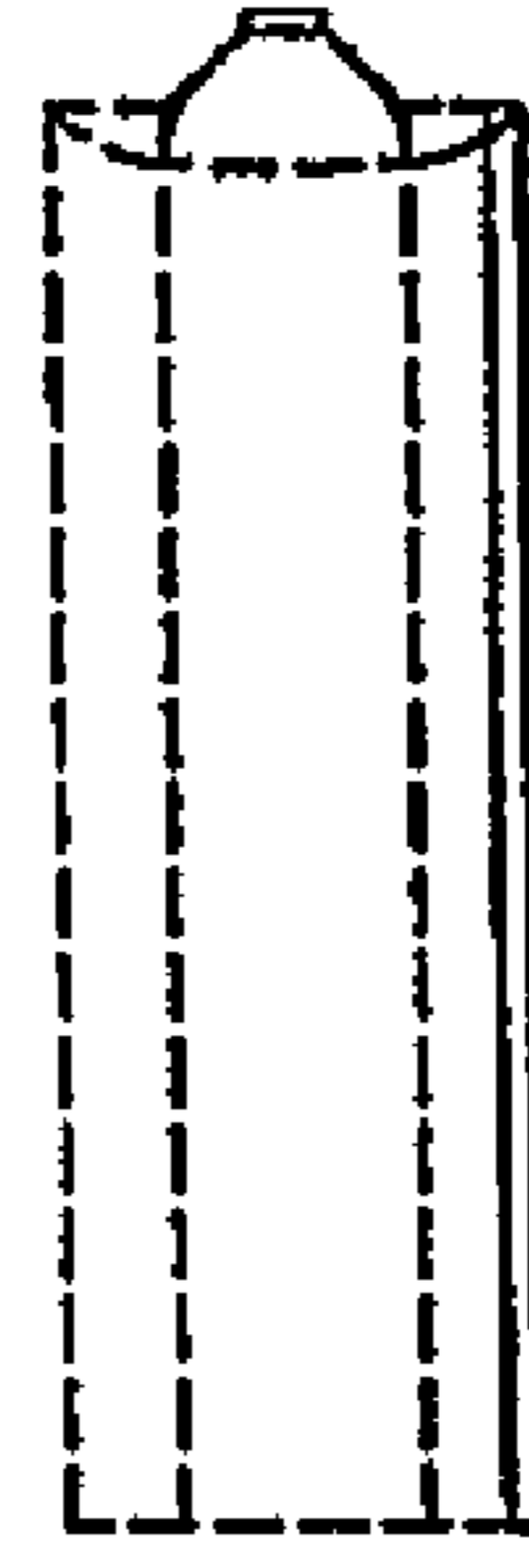


FIG. 6

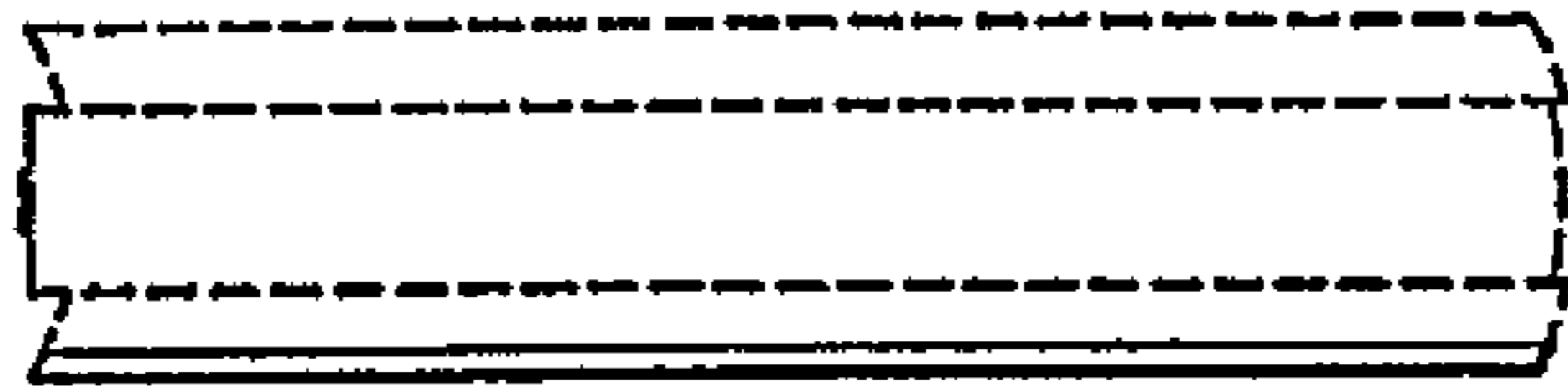


FIG. 7

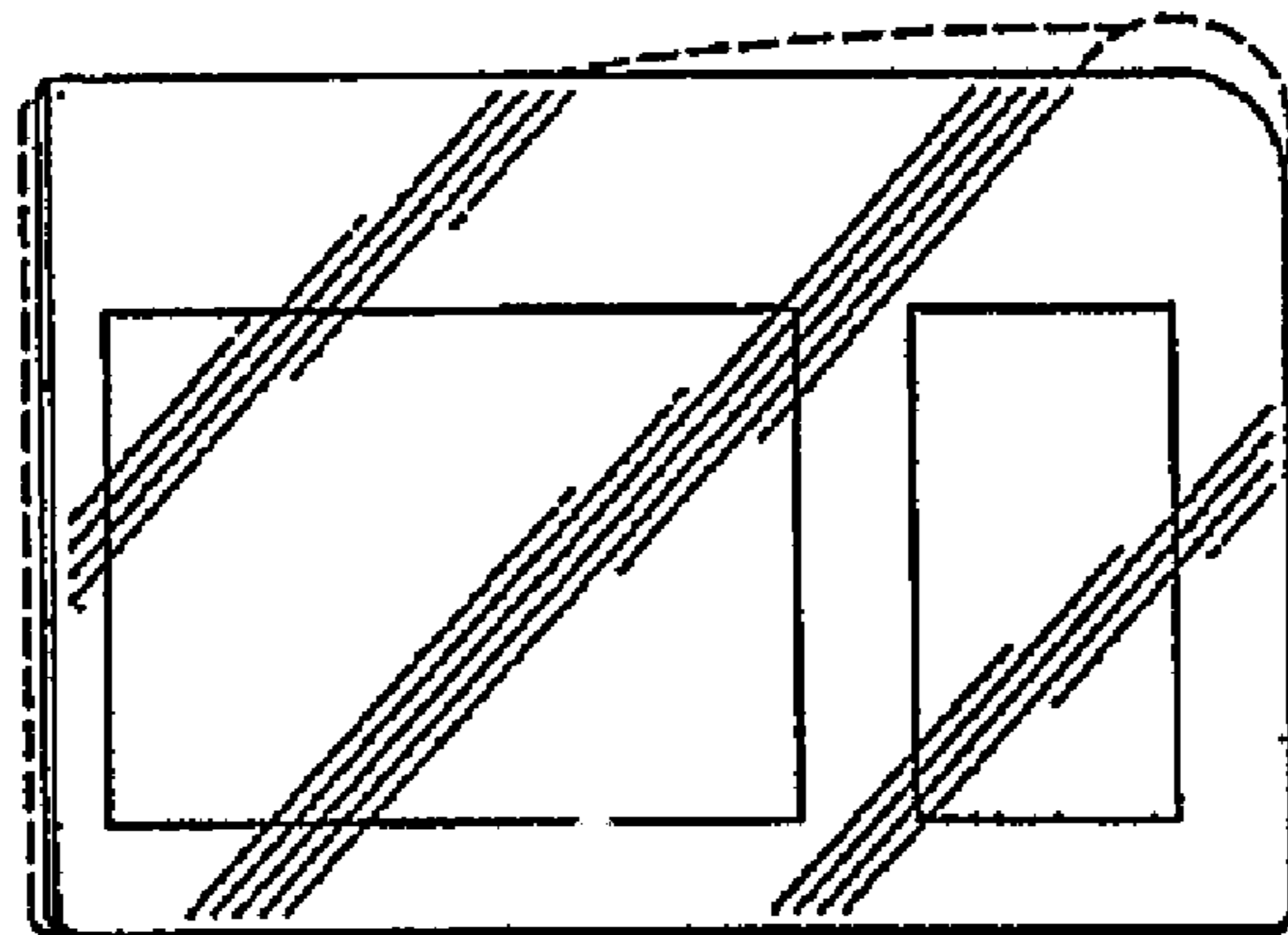


FIG. 8