

US00D529530S

(12) **United States Design Patent**
Naito

(10) **Patent No.:** **US D529,530 S**

(45) **Date of Patent:** **** Oct. 3, 2006**

(54) **DIGITAL CAMERA**

(75) Inventor: **Yoshitaka Naito**, Ome (JP)

(73) Assignee: **Olympus Corporation**, Tokyo (JP)

(**) Term: **14 Years**

(21) Appl. No.: **29/215,047**

(22) Filed: **Jun. 29, 2004**

(51) **LOC (8) Cl.** **16-05**

(52) **U.S. Cl.** **D16/219**

(58) **Field of Classification Search** D16/200–205,
D16/208, 218; D21/484–486, 489; D25/113;
348/376–374; 358/909.1; 396/538–541
See application file for complete search history.

(56) **References Cited**

U.S. PATENT DOCUMENTS

4,673,373	A	*	6/1987	Herring et al.	446/378
D404,146	S	*	1/1999	Perkins	D25/113
D446,536	S	*	8/2001	Kim	D16/209
D505,685	S	*	5/2005	Yoshida	D16/219

* cited by examiner

Primary Examiner—Adir Aronovich

(74) *Attorney, Agent, or Firm*—Hogan & Hartson LLP

(57) **CLAIM**

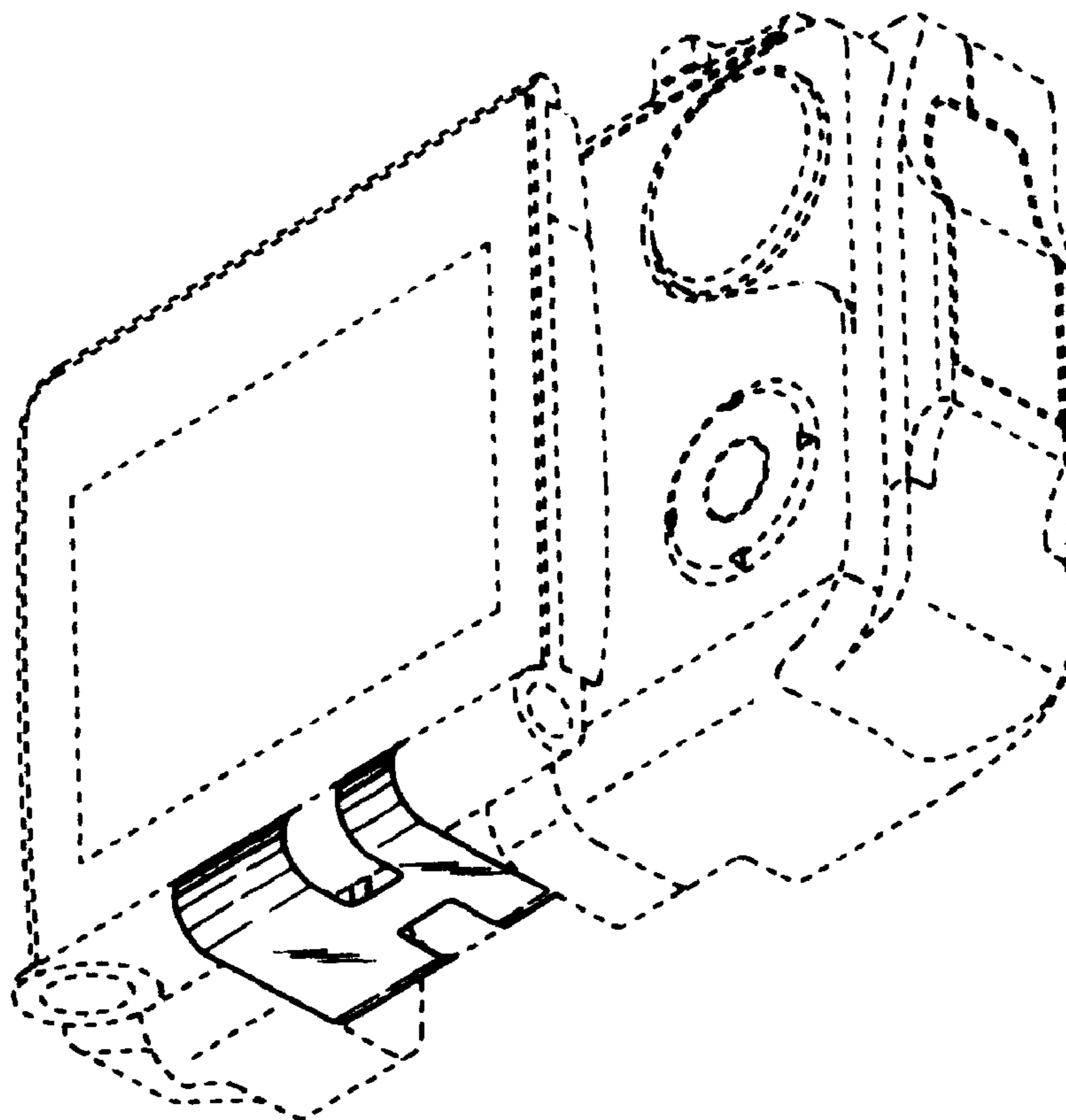
The ornamental design for a digital camera, as shown and described.

DESCRIPTION

FIG. 1 is a perspective view of a digital camera showing my new design with a rear side of the cover opened;
 FIG. 2 is a front elevational view thereof;
 FIG. 3 is a rear elevational view thereof;
 FIG. 4 is a top plan view thereof;
 FIG. 5 is a bottom plan view thereof;
 FIG. 6 is a left side elevational view thereof;
 FIG. 7 is a right side elevational view thereof;
 FIG. 8 is a front elevational view thereof with the cover opened to the rear side;
 FIG. 9 is a rear elevational view thereof showing a display on the rear surface of the cover;
 FIG. 10 is a bottom plan view thereof with the cover opened to the rear side;
 FIG. 11 is a right side elevational view thereof with the cover opened to the rear side;
 FIG. 12 is a top plan view thereof with the cover turned 90 degrees; and,
 FIG. 13 is a front elevational view thereof with the cover turned 180 degrees.

The broken lines are for illustrative purposes only and form no part of the claimed design.

1 Claim, 5 Drawing Sheets



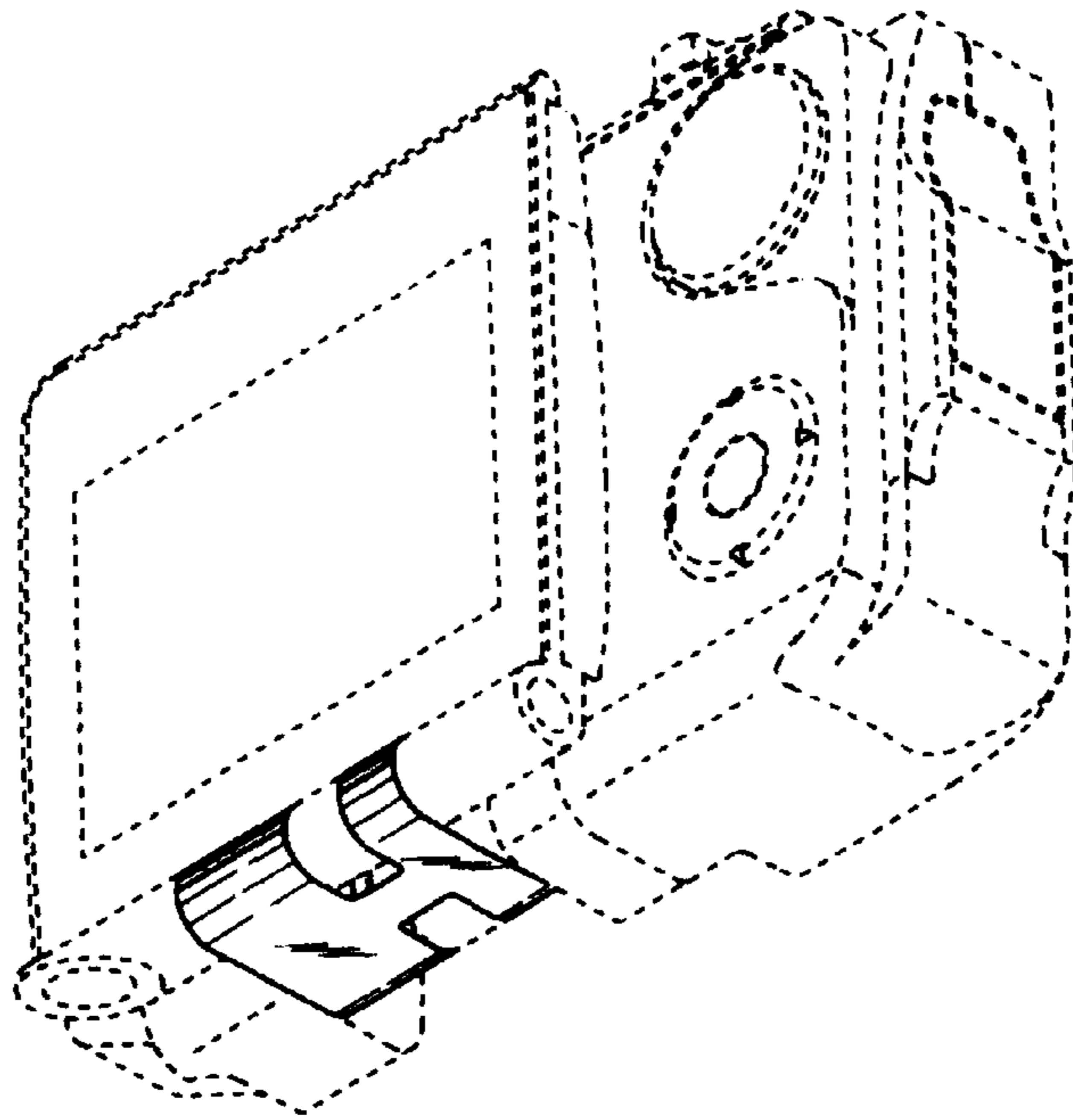


FIG. 1

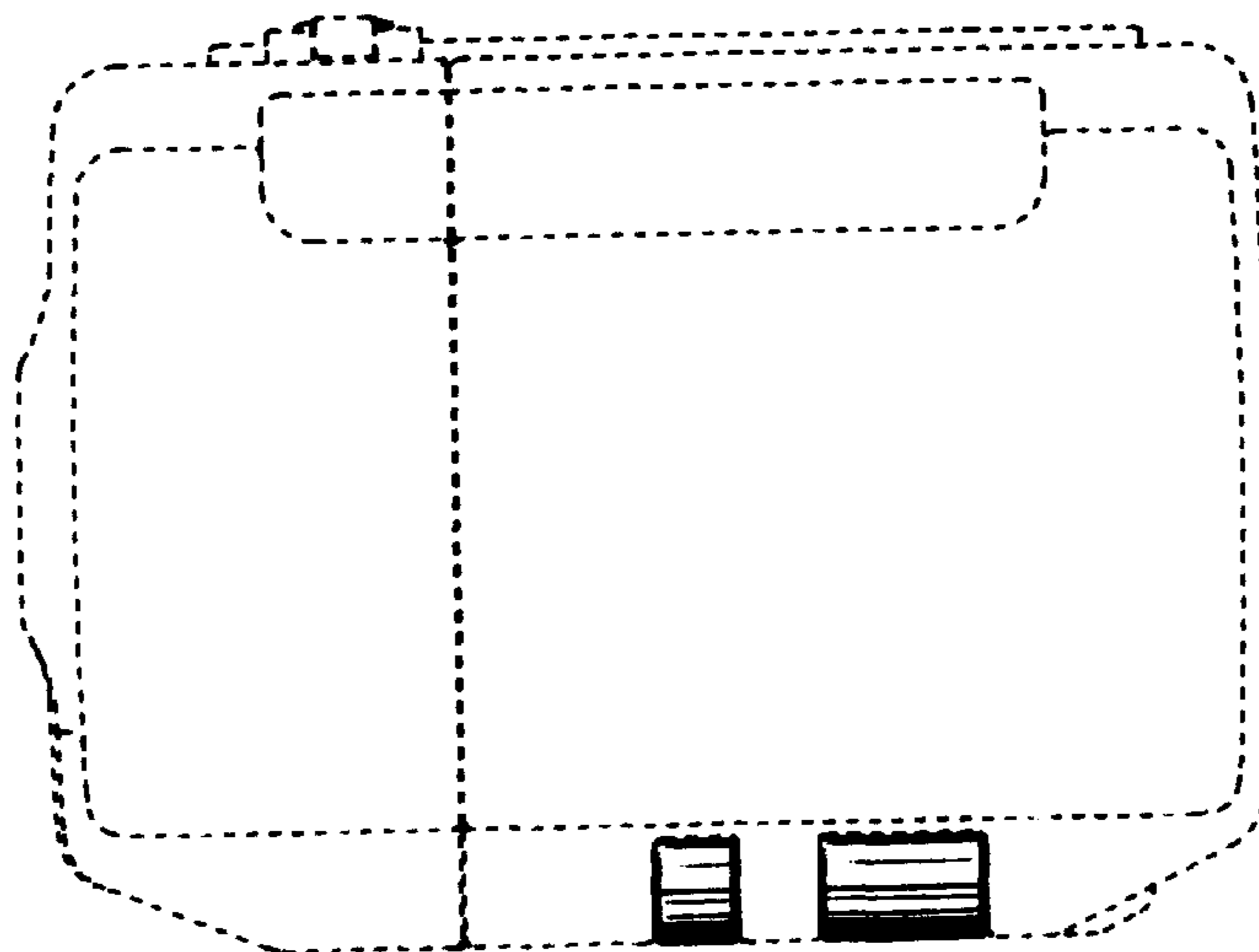


FIG. 2

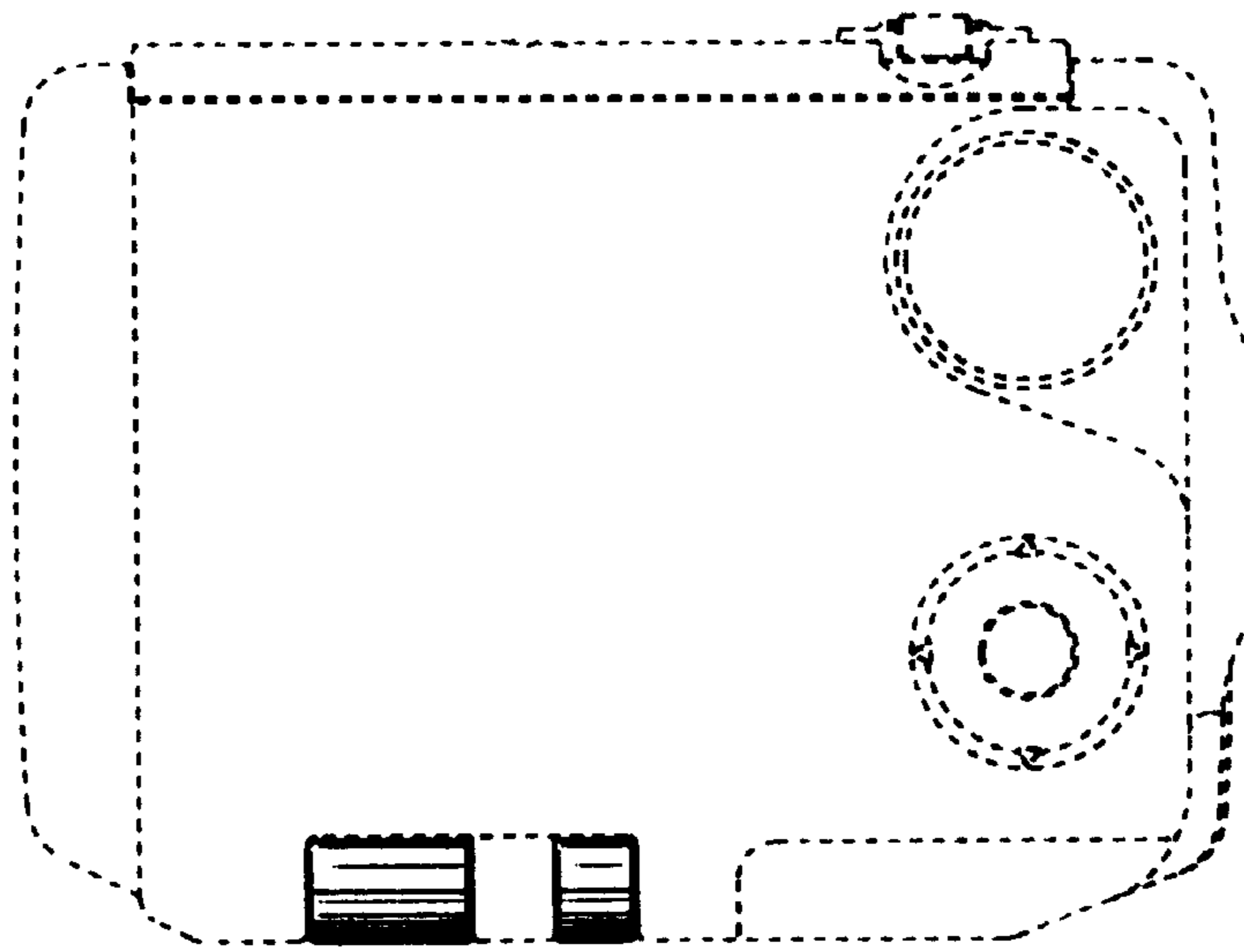


FIG. 3

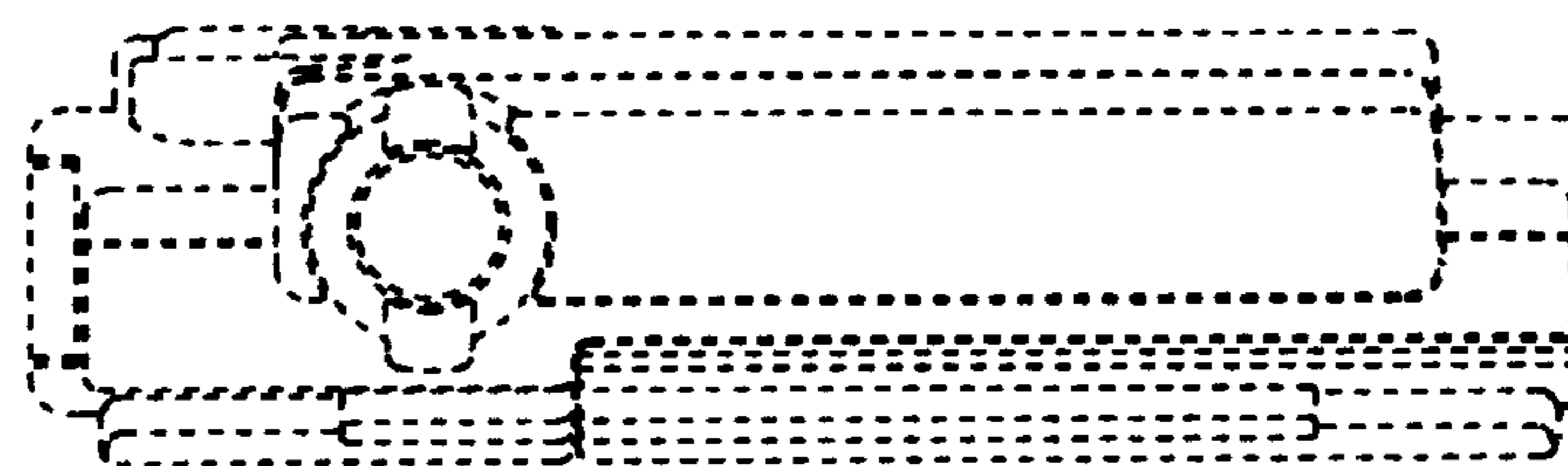


FIG. 4

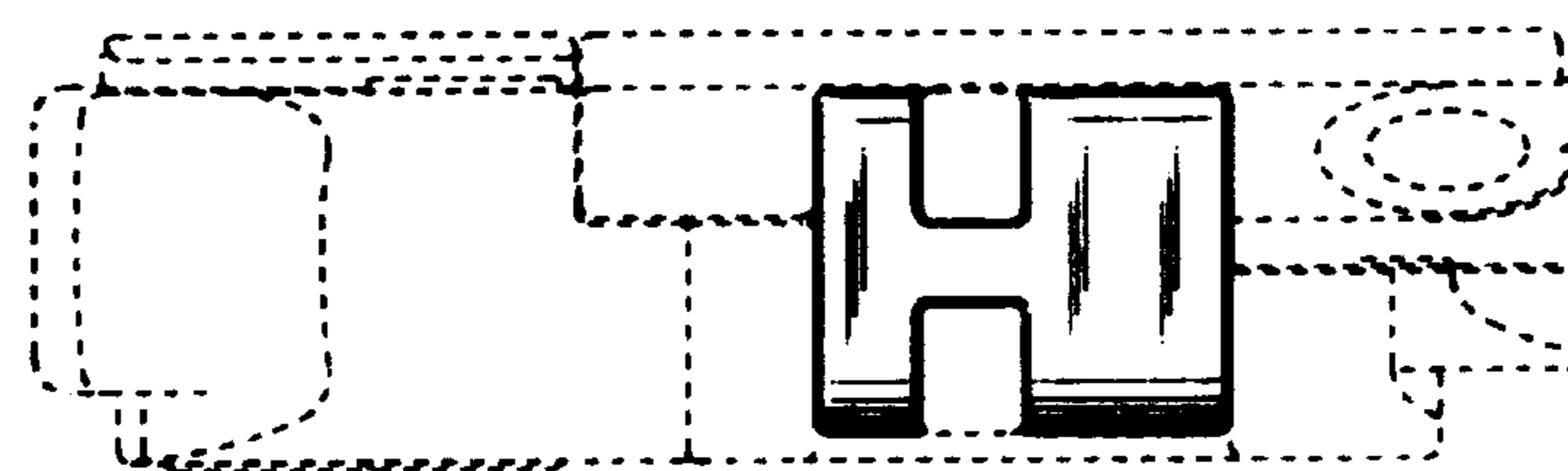


FIG. 5

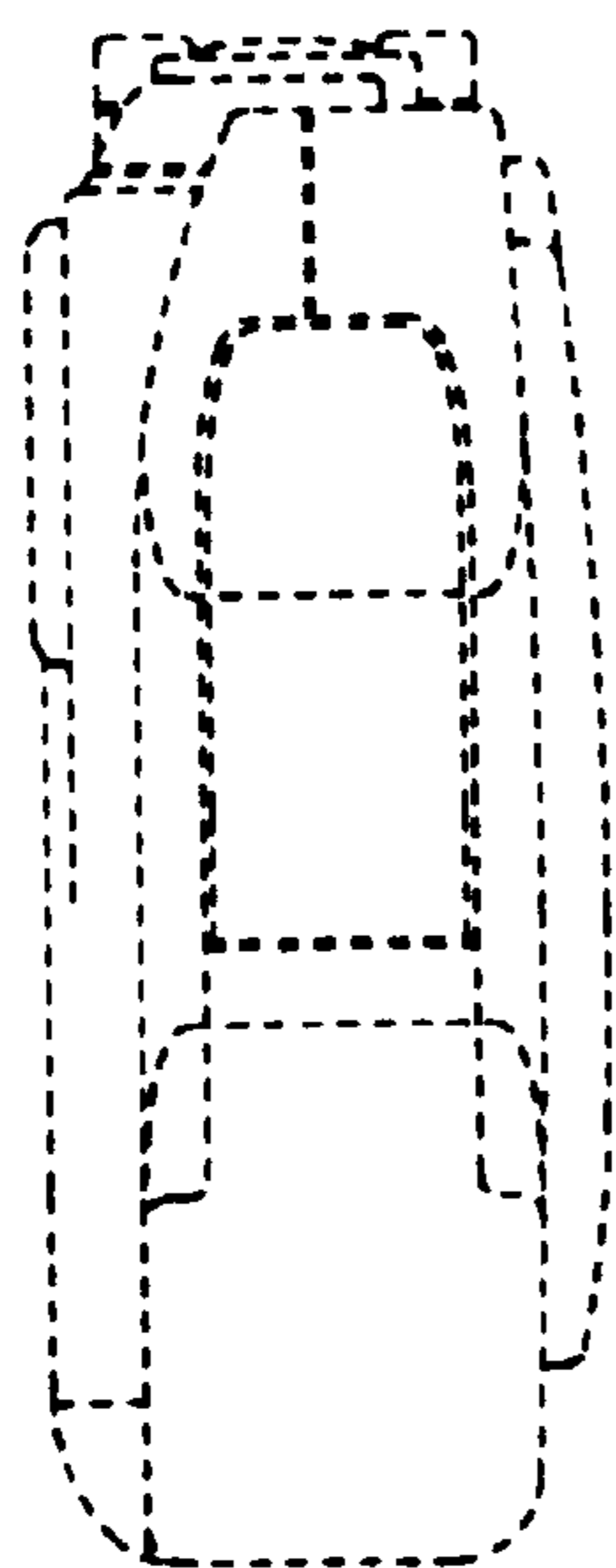


FIG. 6

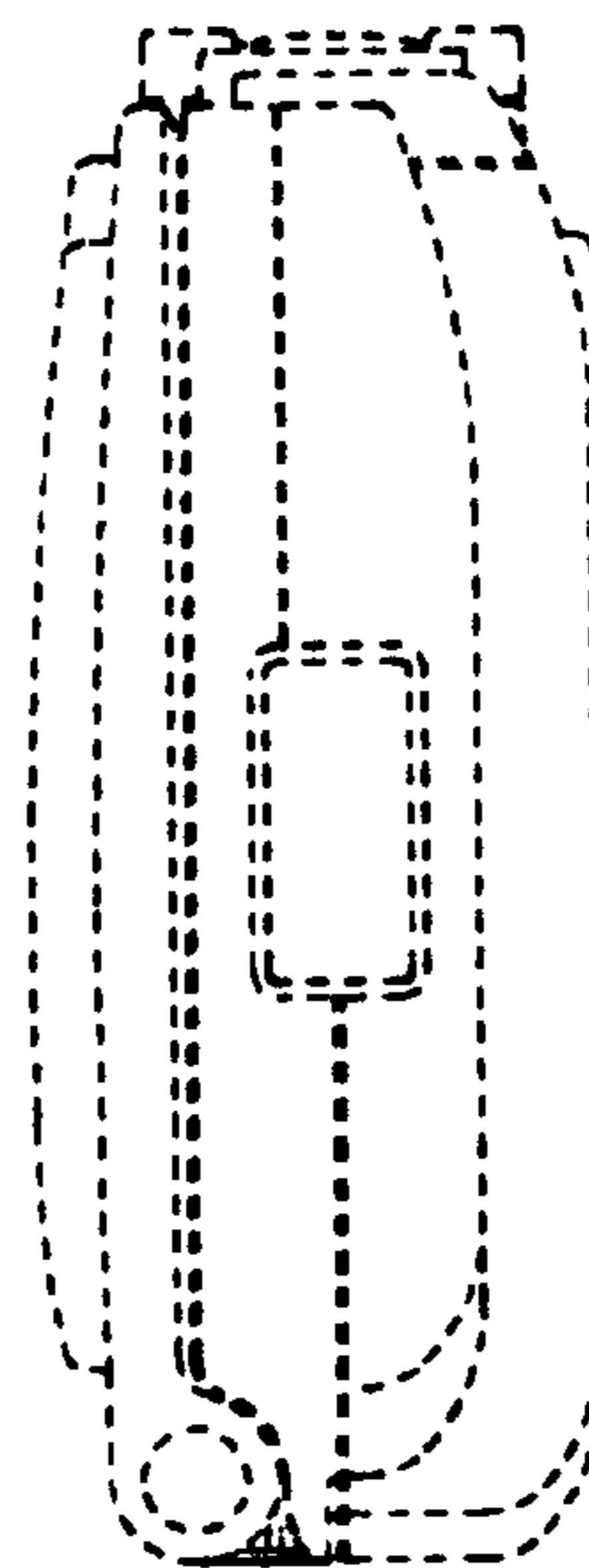


FIG. 7

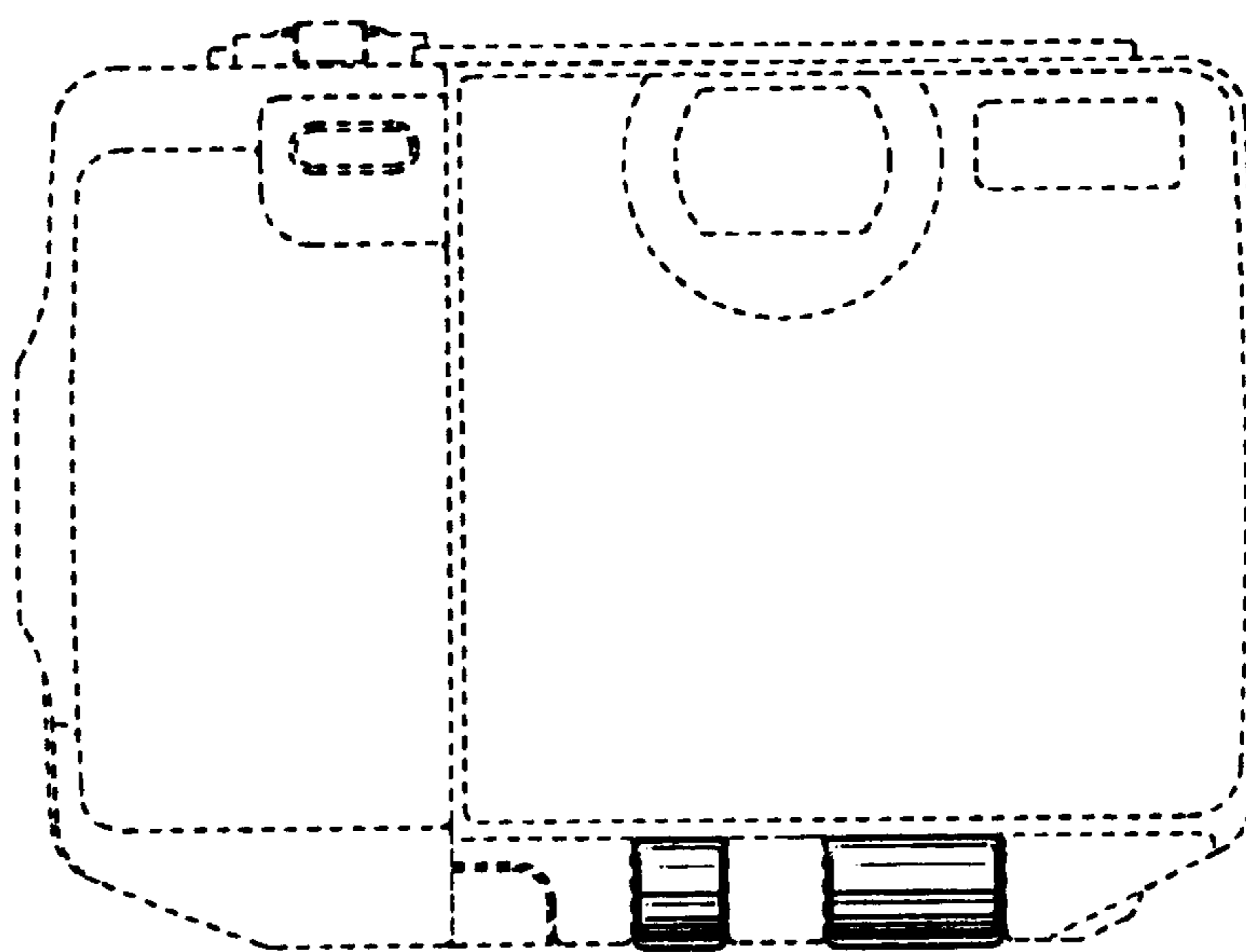


FIG. 8

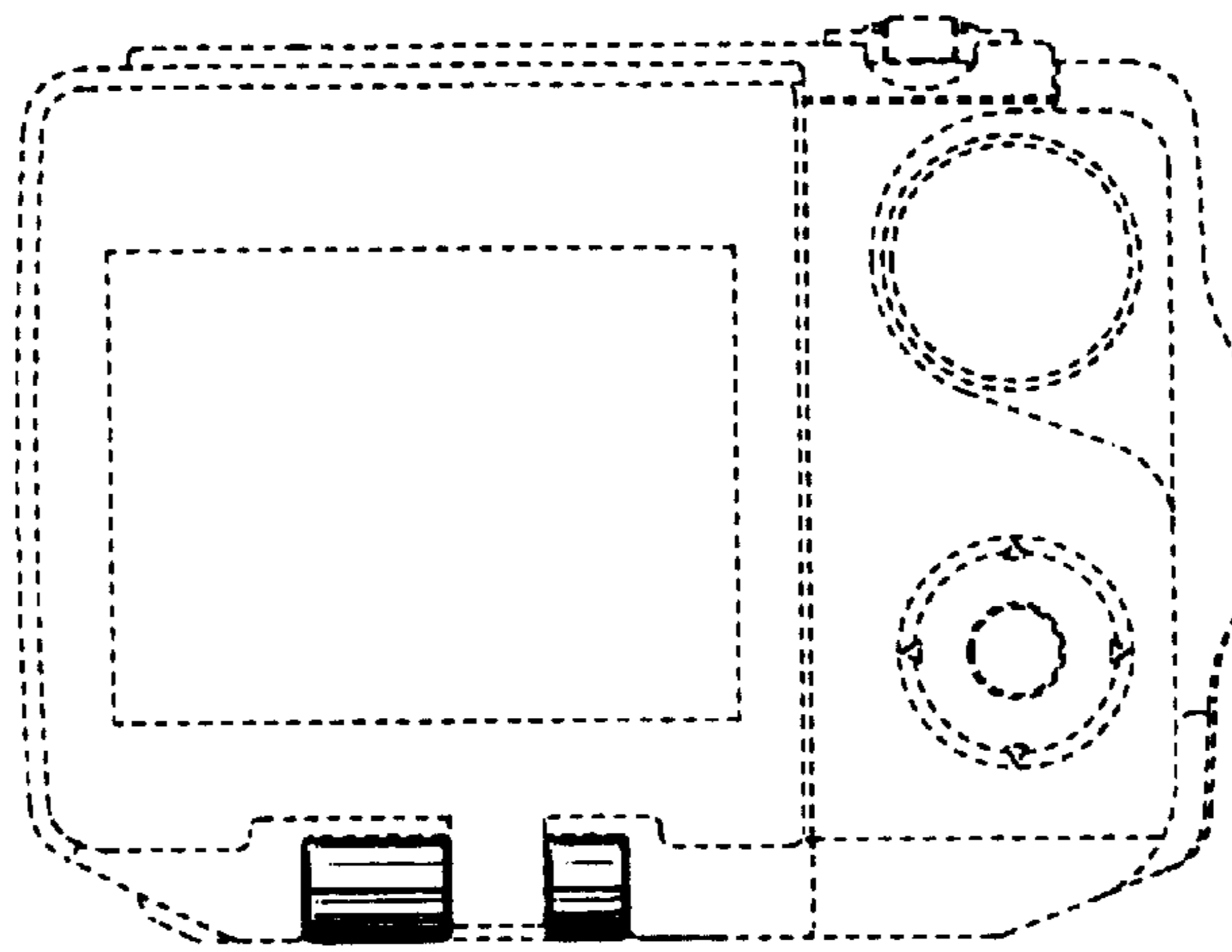


FIG. 9

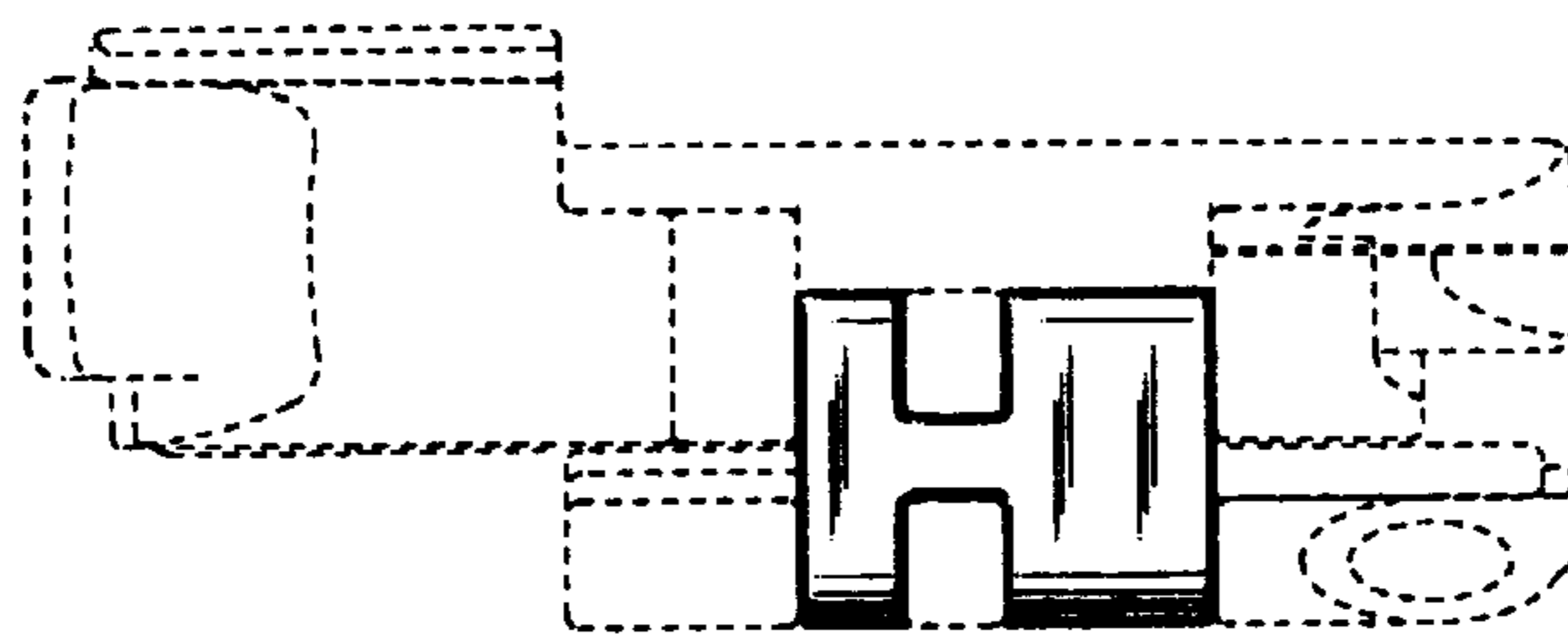


FIG. 10

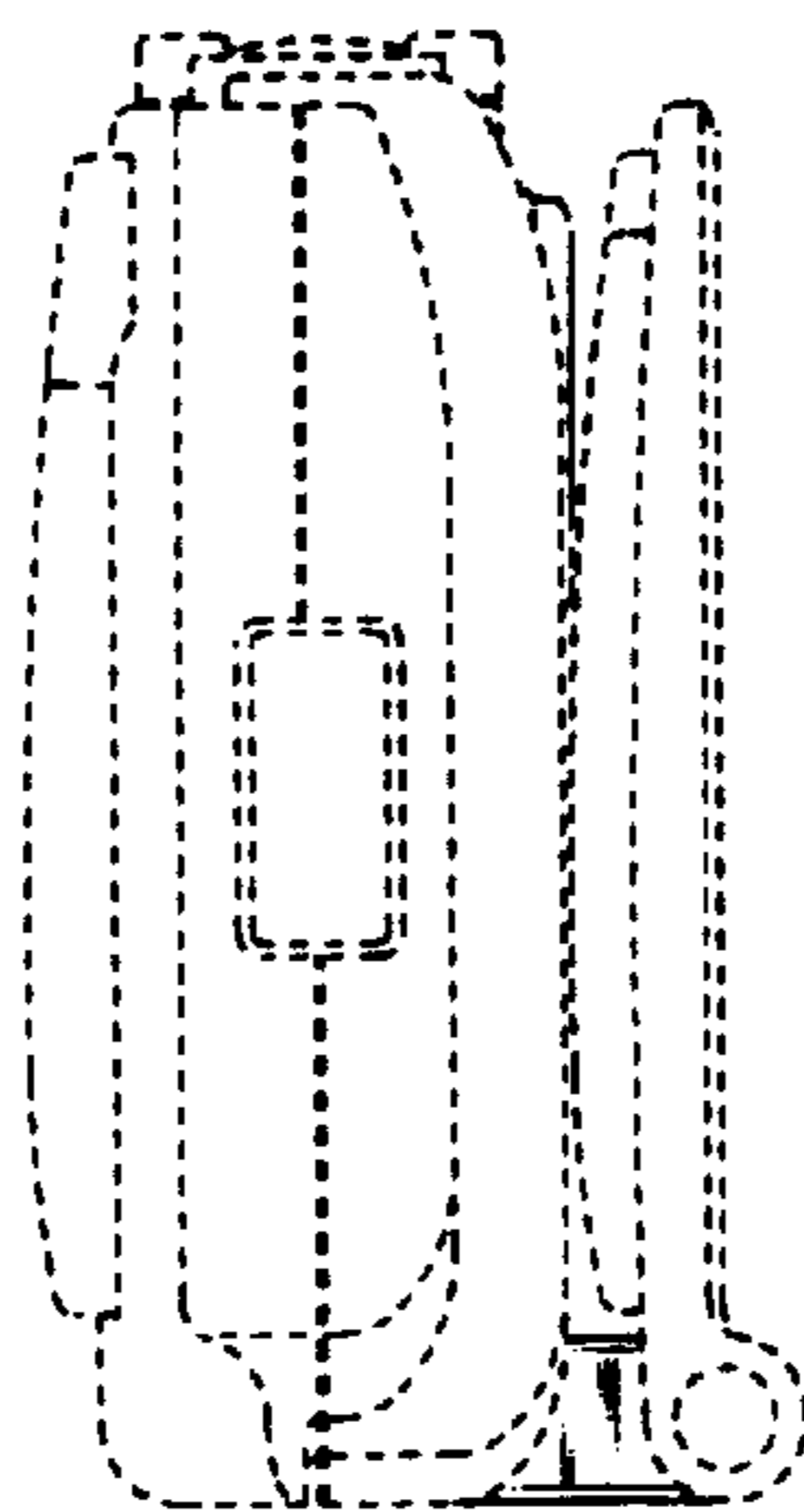


FIG. 11

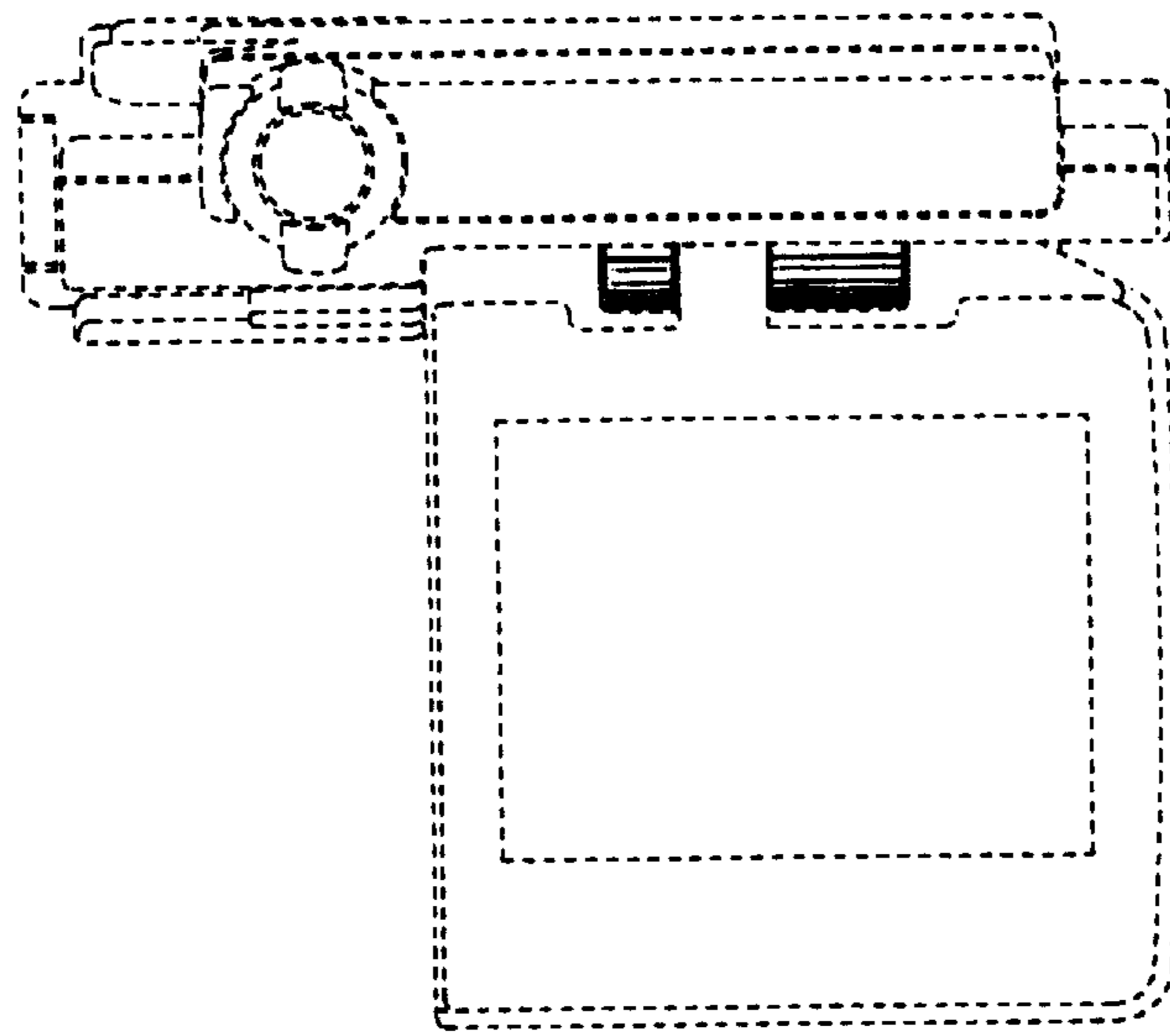


FIG. 12

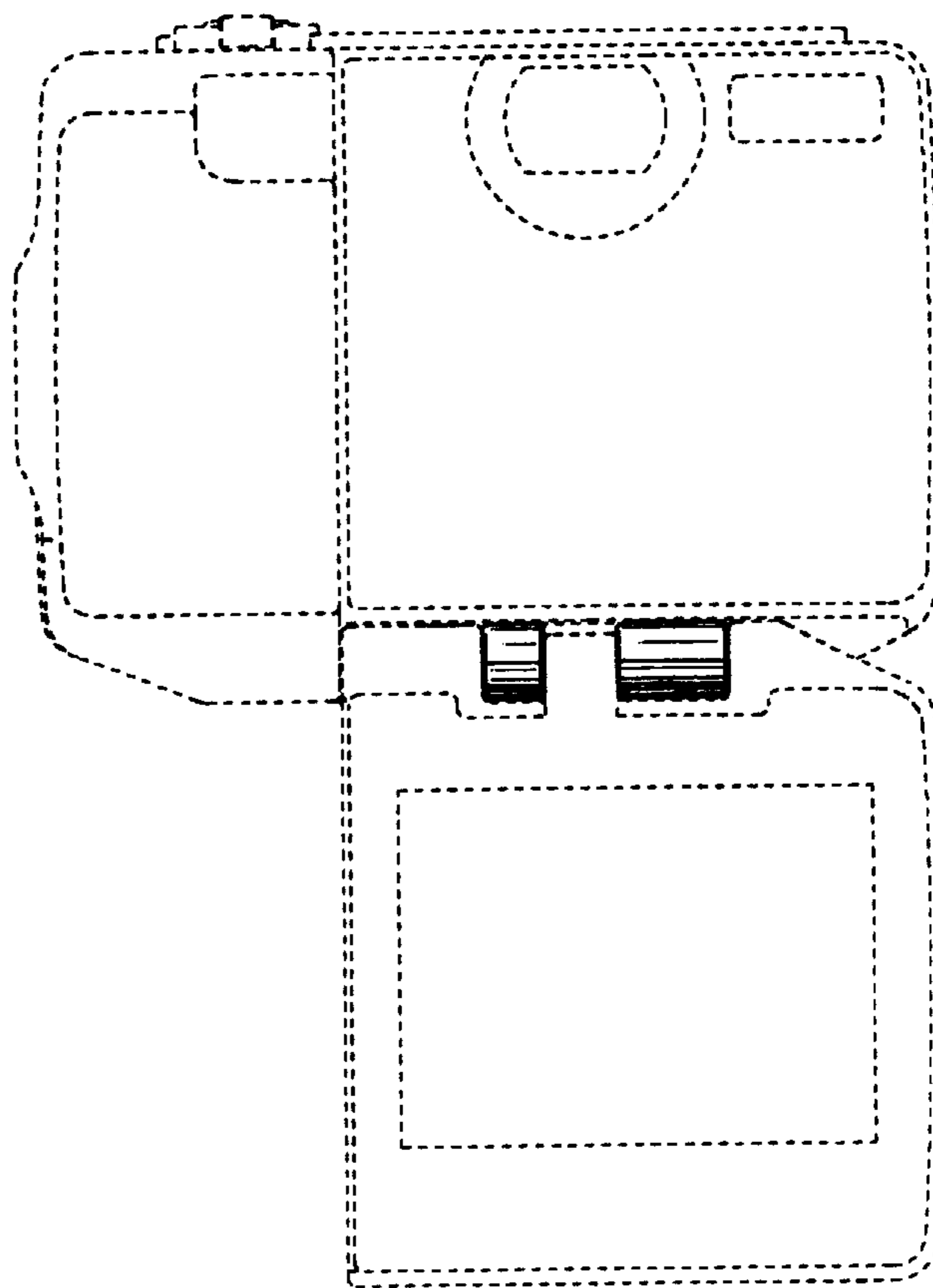


FIG. 13