

US00D529529S

(12) **United States Design Patent**  
**Wen et al.**

(10) **Patent No.:** **US D529,529 S**

(45) **Date of Patent:** **\*\* \*Oct. 3, 2006**

(54) **WEB CAMERA**

(75) Inventors: **Hsin-Hua Wen**, Tu-Chen (TW);  
**Tsung-Hsi Li**, Tu-Chen (TW)

(73) Assignee: **Hon Hai Precision Ind. Co., Ltd.**,  
Taipei Hsien (TW)

(\*) Notice: This patent is subject to a terminal disclaimer.

(\*\*) Term: **14 Years**

(21) Appl. No.: **29/220,430**

(22) Filed: **Dec. 29, 2004**

(30) **Foreign Application Priority Data**

Nov. 6, 2004 (CN) ..... 2004 3 0092176

(51) **LOC (8) Cl.** ..... **16-01**

(52) **U.S. Cl.** ..... **D16/202; D16/203**

(58) **Field of Classification Search** ..... D16/200–205,  
D16/208, 218; 348/14.01–14.1, 143, 151,  
348/373–376; 358/906; 396/427, 428, 535–541  
See application file for complete search history.

(56) **References Cited**

**U.S. PATENT DOCUMENTS**

D339,817 S \* 9/1993 Fukuda et al. .... D16/230

5,438,357 A \* 8/1995 McNelley ..... 348/14.1  
D418,853 S \* 1/2000 Kubota ..... D16/203  
D434,057 S \* 11/2000 Whitby et al. .... D16/202  
D446,535 S \* 8/2001 Chang ..... D16/203  
D474,794 S \* 5/2003 Ogura ..... D16/203  
D484,160 S \* 12/2003 Kangasmaa ..... D16/203  
D508,933 S \* 8/2005 Kaneda ..... D16/203

\* cited by examiner

*Primary Examiner*—Adir Aronovich

(74) *Attorney, Agent, or Firm*—Wei Te Chung

(57) **CLAIM**

The ornamental design for a web camera, as shown and described.

**DESCRIPTION**

FIG. 1 is a perspective view of a web camera of our new design;

FIG. 2 is a front elevational view thereof;

FIG. 3 is a rear elevational view thereof;

FIG. 4 is a left side elevational view thereof;

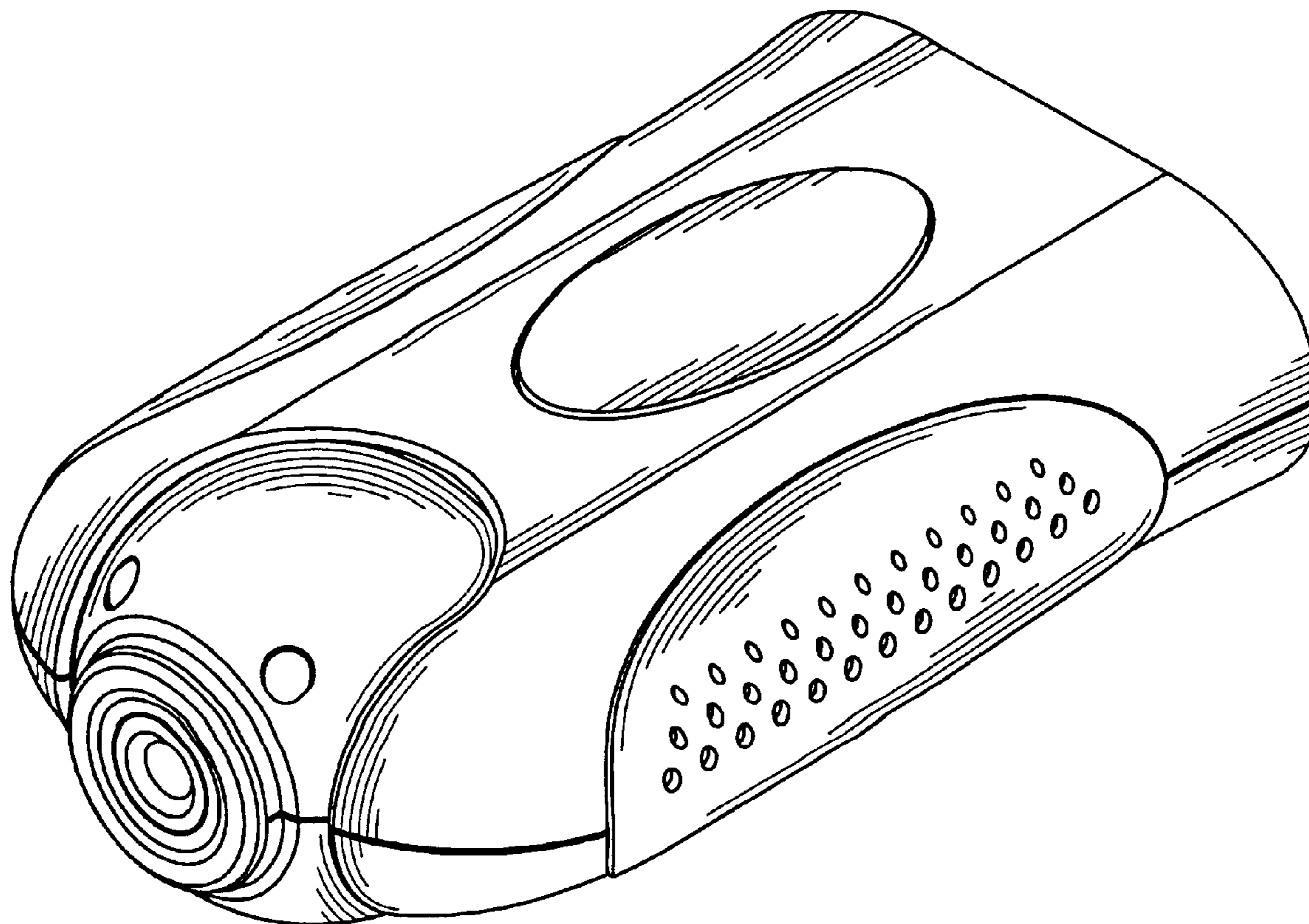
FIG. 5 is a right side elevational view thereof;

FIG. 6 is a top plan view thereof;

FIG. 7 is a bottom plan view thereof; and,

FIG. 8 is a perspective view showing the camera in a using state, the components shown in broken lines are for illustrative purposes only and form no part of the claimed design.

**1 Claim, 6 Drawing Sheets**



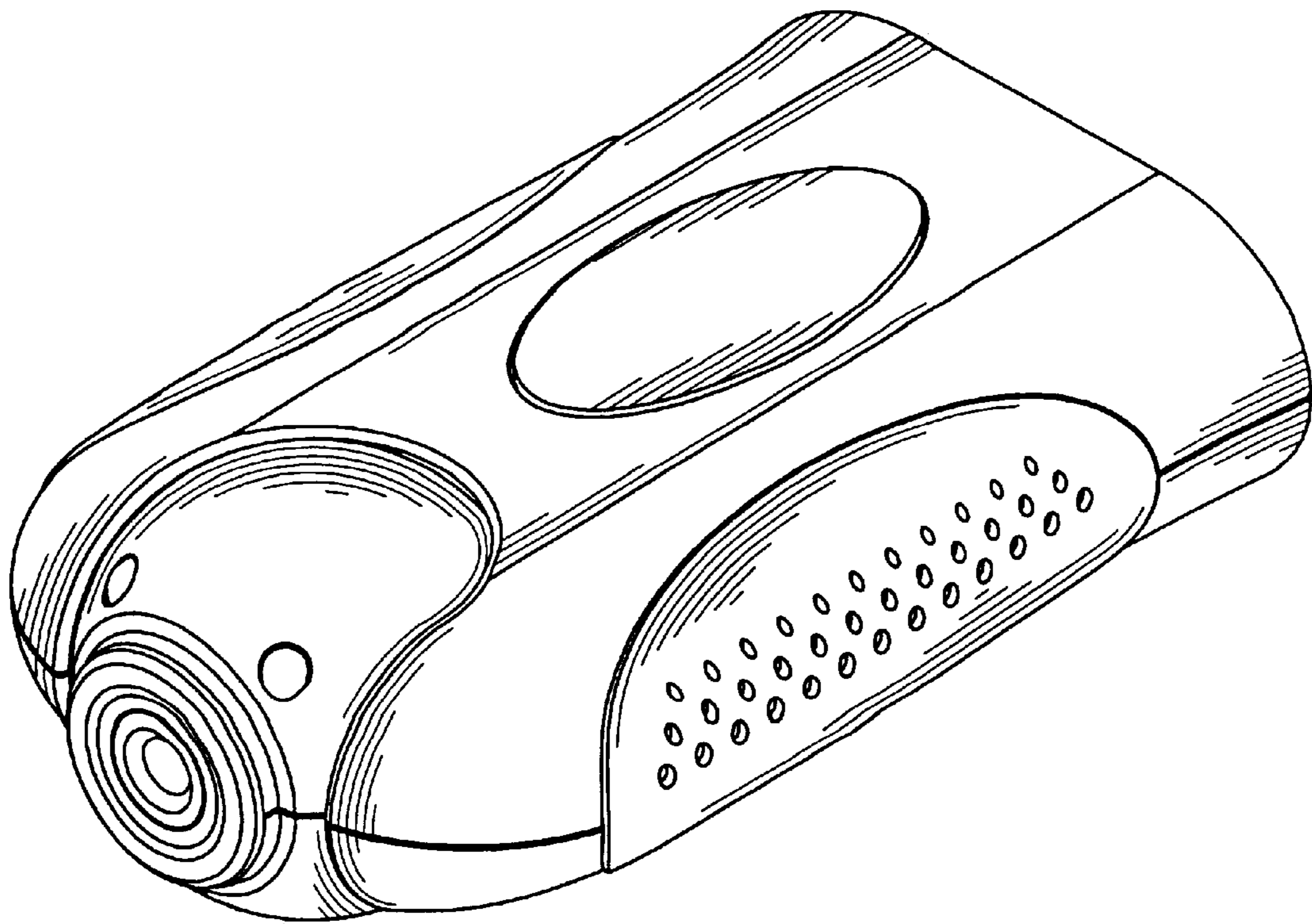


FIG. 1

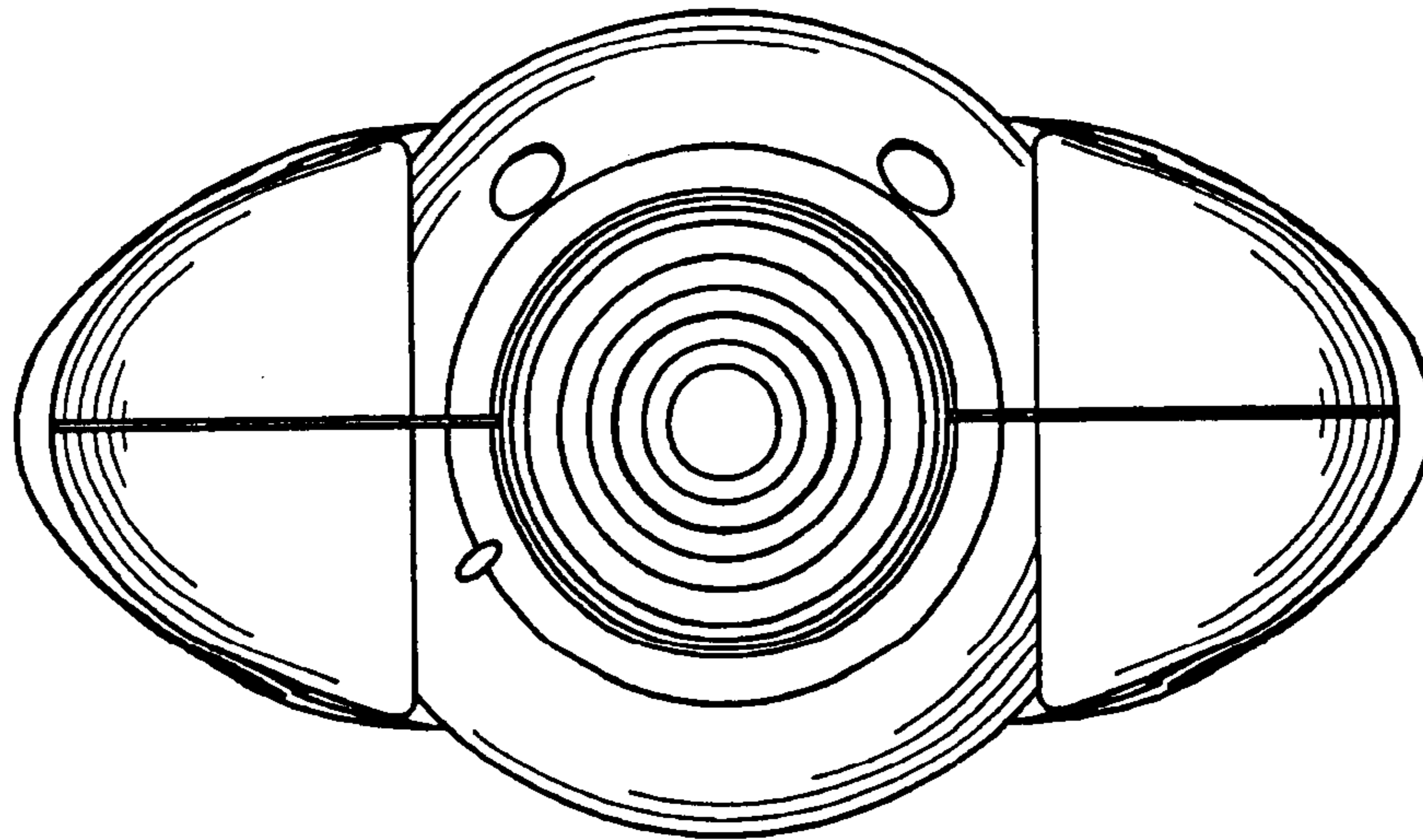


FIG. 2

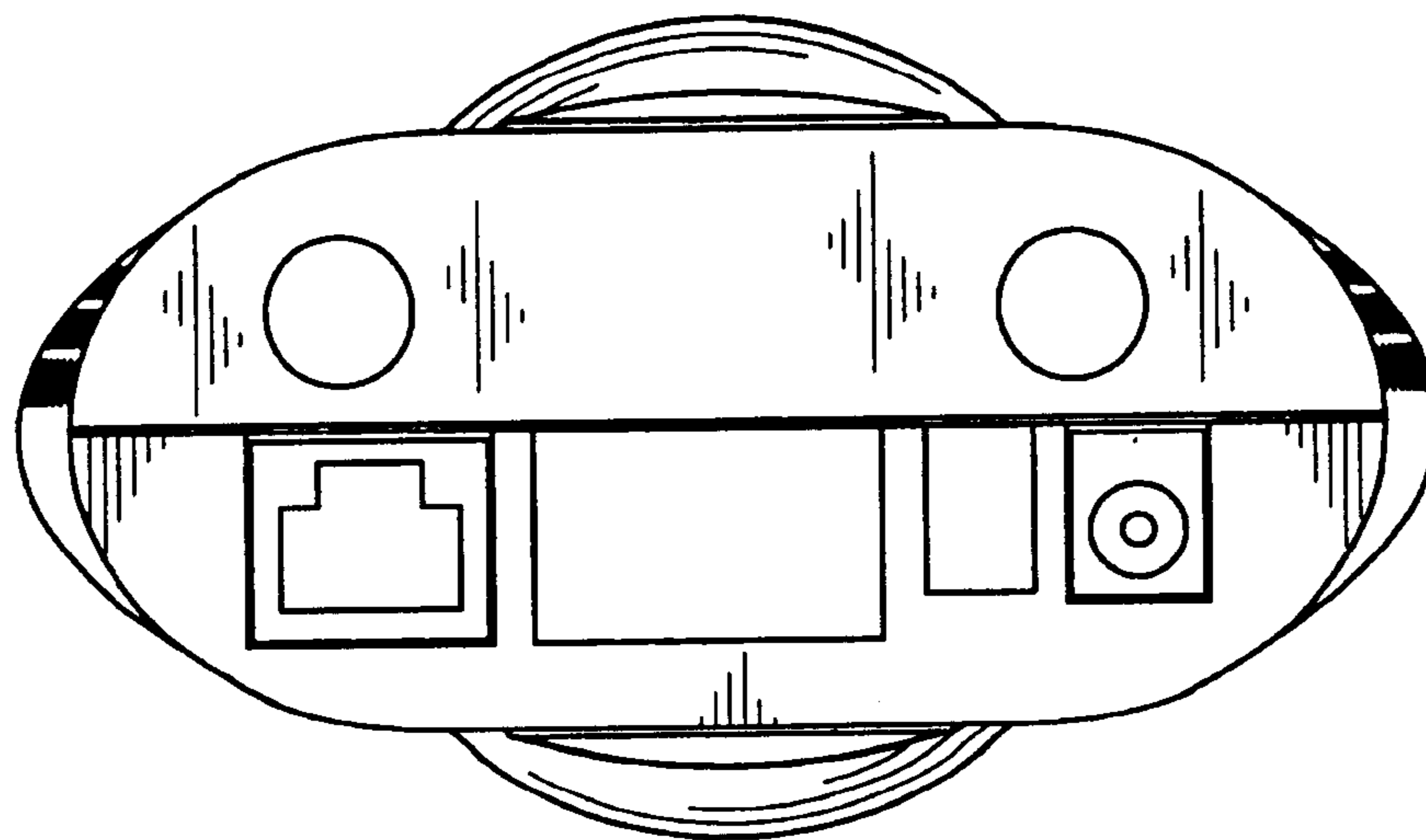


FIG. 3

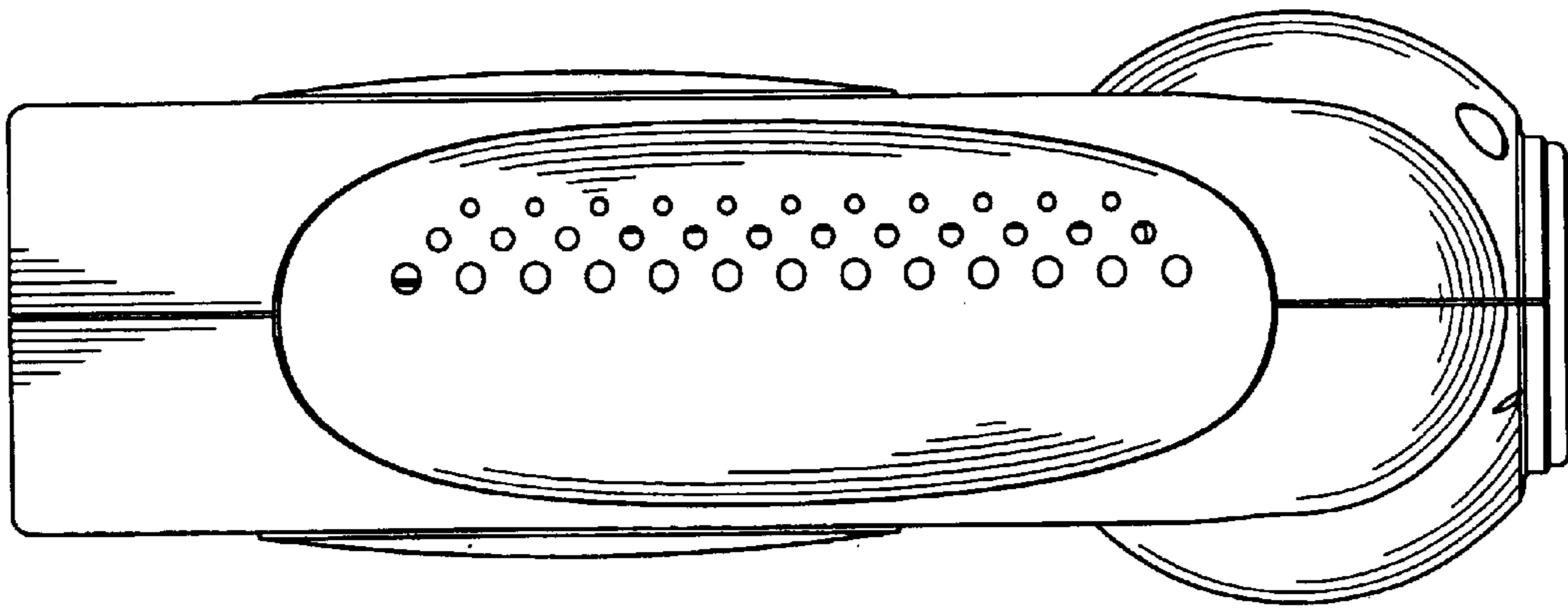


FIG. 4

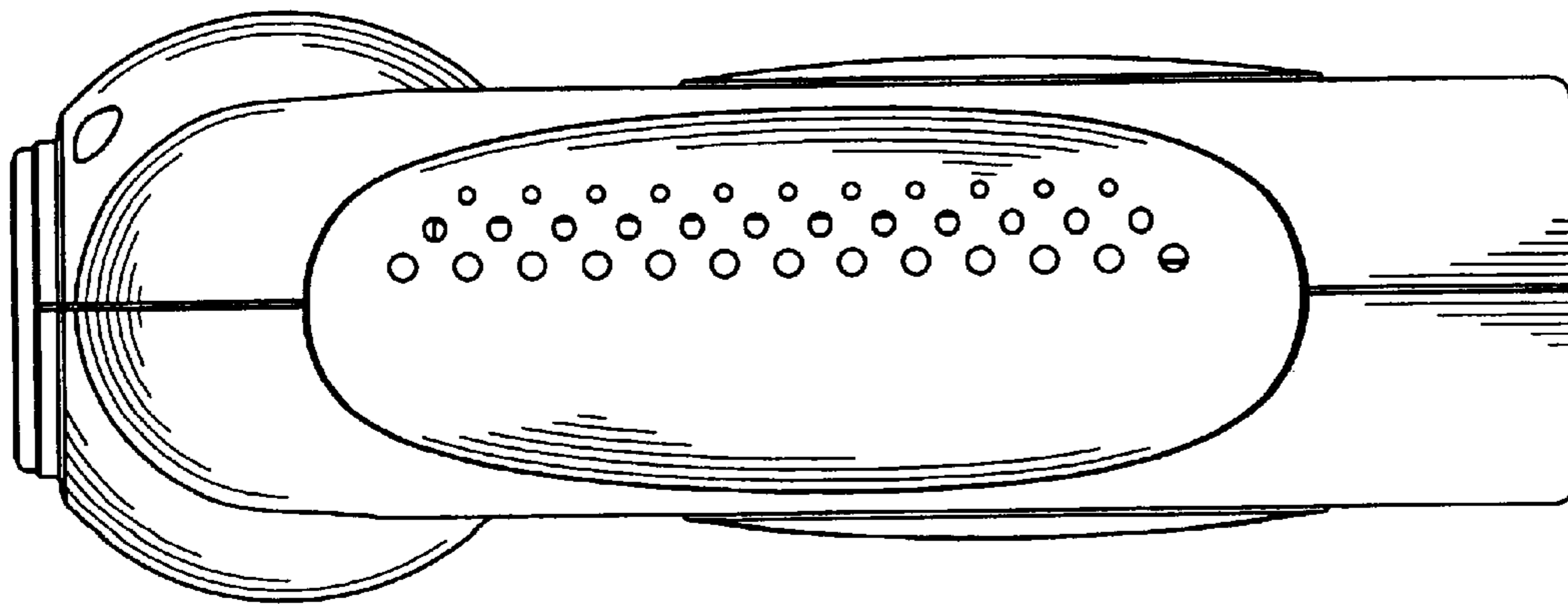


FIG. 5

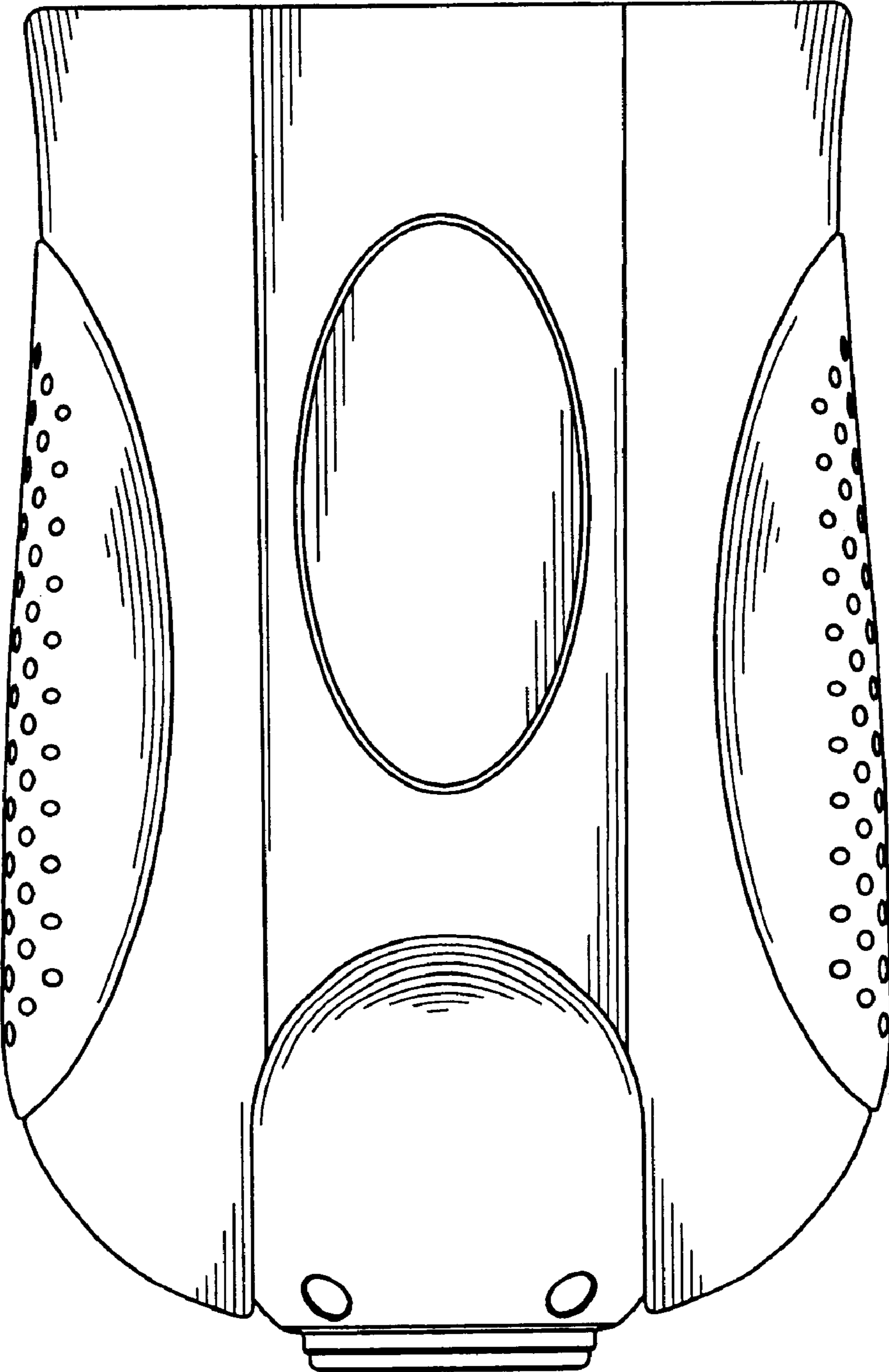


FIG. 6

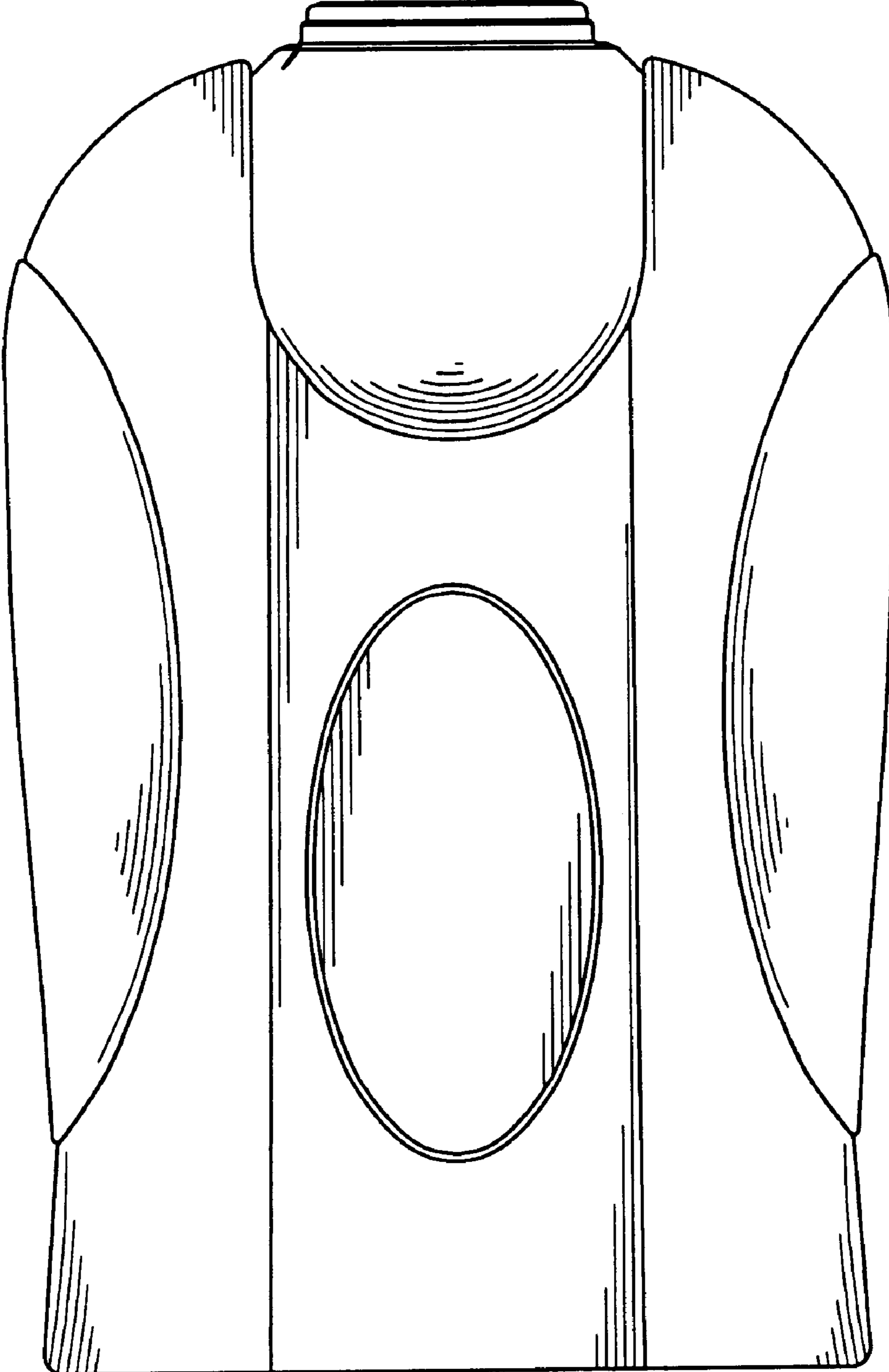


FIG. 7

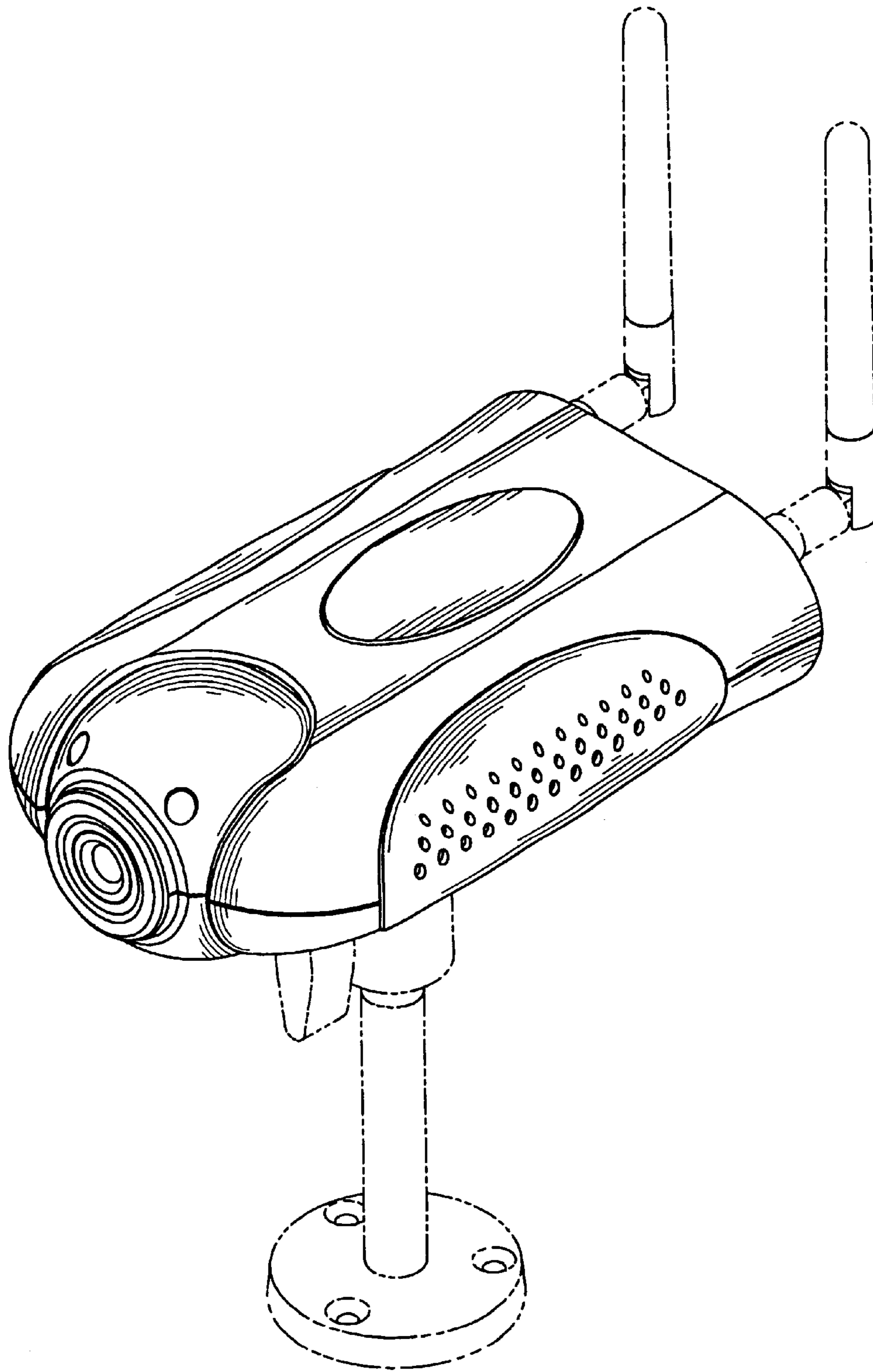


FIG. 8