



US00D529528S

(12) **United States Design Patent**
Ross, Jr. et al.

(10) **Patent No.:** **US D529,528 S**

(45) **Date of Patent:** **** Oct. 3, 2006**

(54) **HOUSING FOR BOW MOUNTED CAMERA**

(75) Inventors: **Charles A. Ross, Jr.**, Overland Park, KS (US); **Robert D. Haler**, Grain Valley, MO (US)

(73) Assignee: **Trophy Tech, Inc.**, Leawood, KS (US)

(**) Term: **14 Years**

(21) Appl. No.: **29/205,929**

(22) Filed: **May 21, 2004**

(51) **LOC (8) Cl.** **16-01**

(52) **U.S. Cl.** **D16/200; D16/208; D22/107**

(58) **Field of Classification Search** D16/200-204, D16/208; D22/107, 199; 124/23.1, 86, 88; 396/426, 429

See application file for complete search history.

(56) **References Cited**

U.S. PATENT DOCUMENTS

- 1,960,998 A * 5/1934 Hindley et al. 396/429
- D257,619 S * 12/1980 Eastman et al. D22/107
- 5,611,324 A * 3/1997 Kursinsky 124/86

- D426,844 S * 6/2000 Fujii D16/203
- 6,526,956 B1 * 3/2003 Hankins 124/86
- D481,406 S * 10/2003 Alessio D16/203

* cited by examiner

Primary Examiner—Adir Aronovich

(74) *Attorney, Agent, or Firm*—Spencer, Fane Britt & Browne LLP

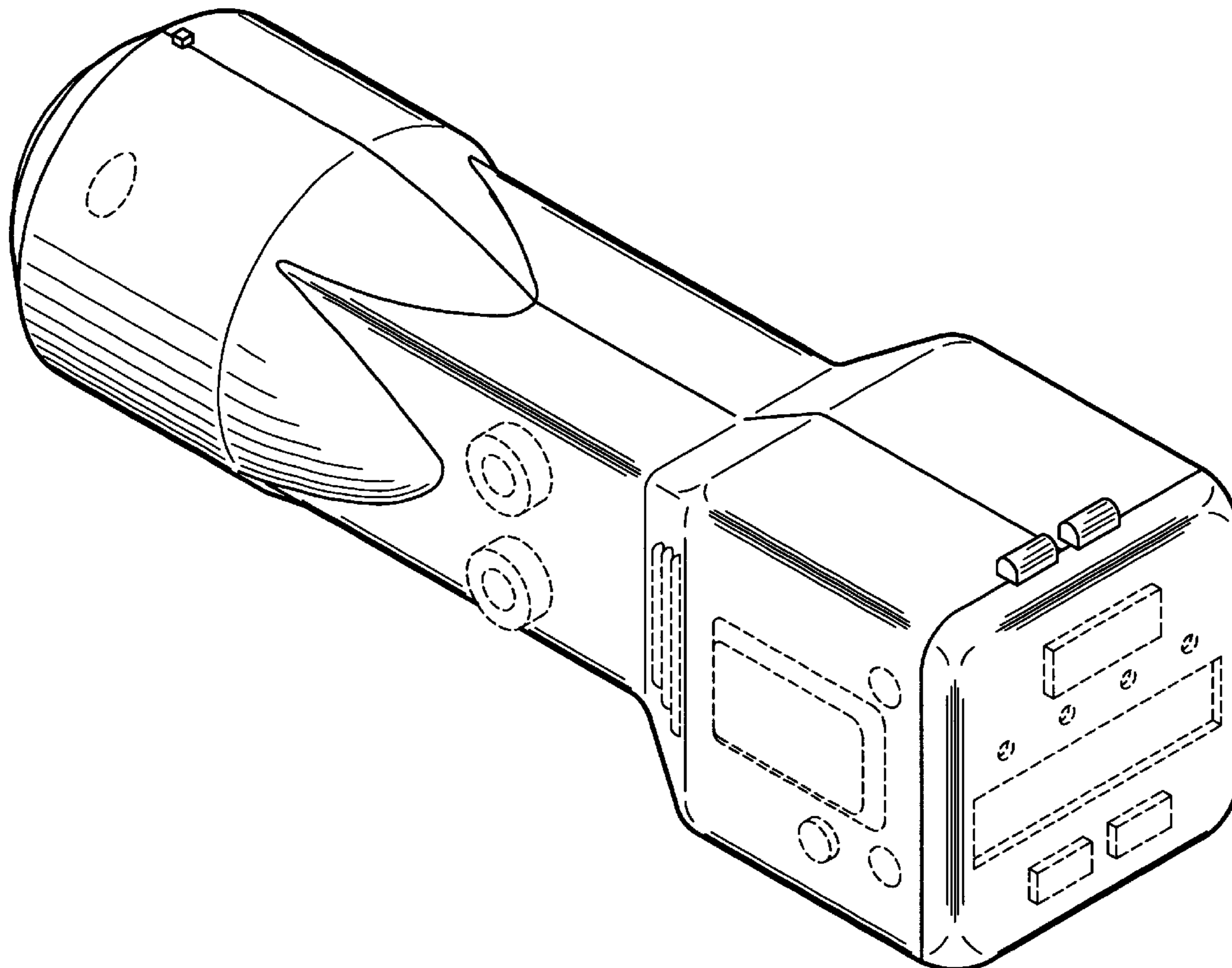
(57) **CLAIM**

The ornamental design for a housing for bow mounted camera, as shown and described.

DESCRIPTION

FIG. 1 is a top plan view of a housing for bow mounted camera showing our new design;
 FIG. 2 is a left side elevational view thereof;
 FIG. 3 is a right side elevational view thereof;
 FIG. 4 is a bottom plan view thereof; and,
 FIG. 5 is a top and right side perspective view thereof.
 The portions of the camera in broken lines are shown for illustrative purposes only and form no part of the claimed design.

1 Claim, 2 Drawing Sheets



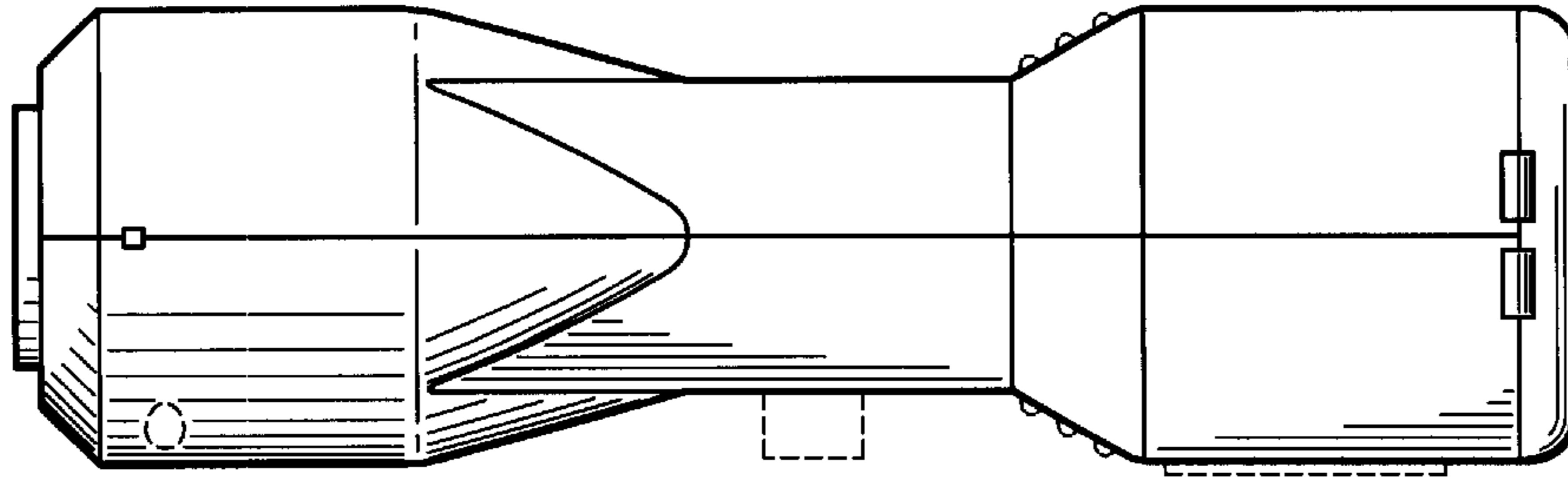


Fig. 1

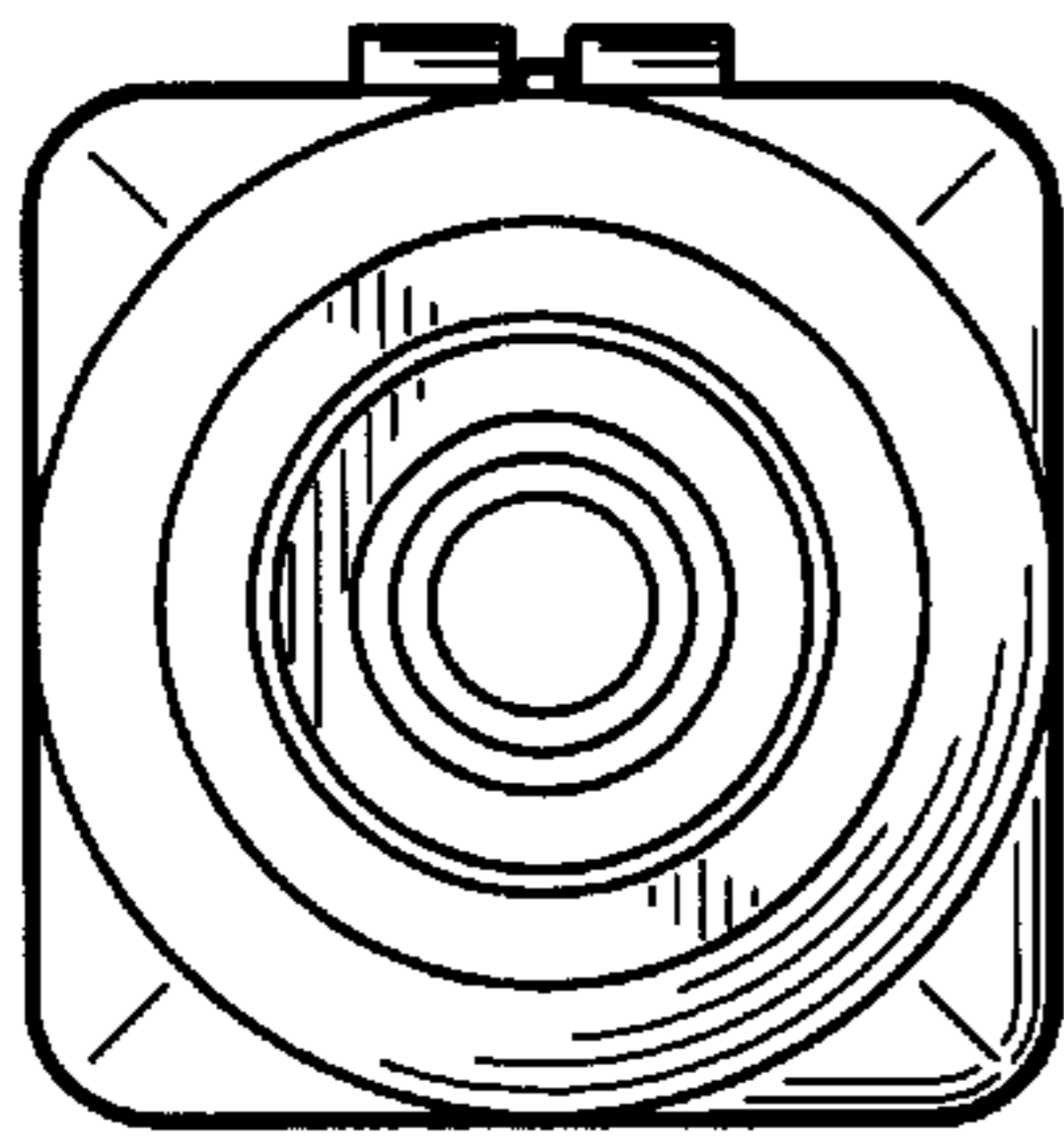


Fig. 2

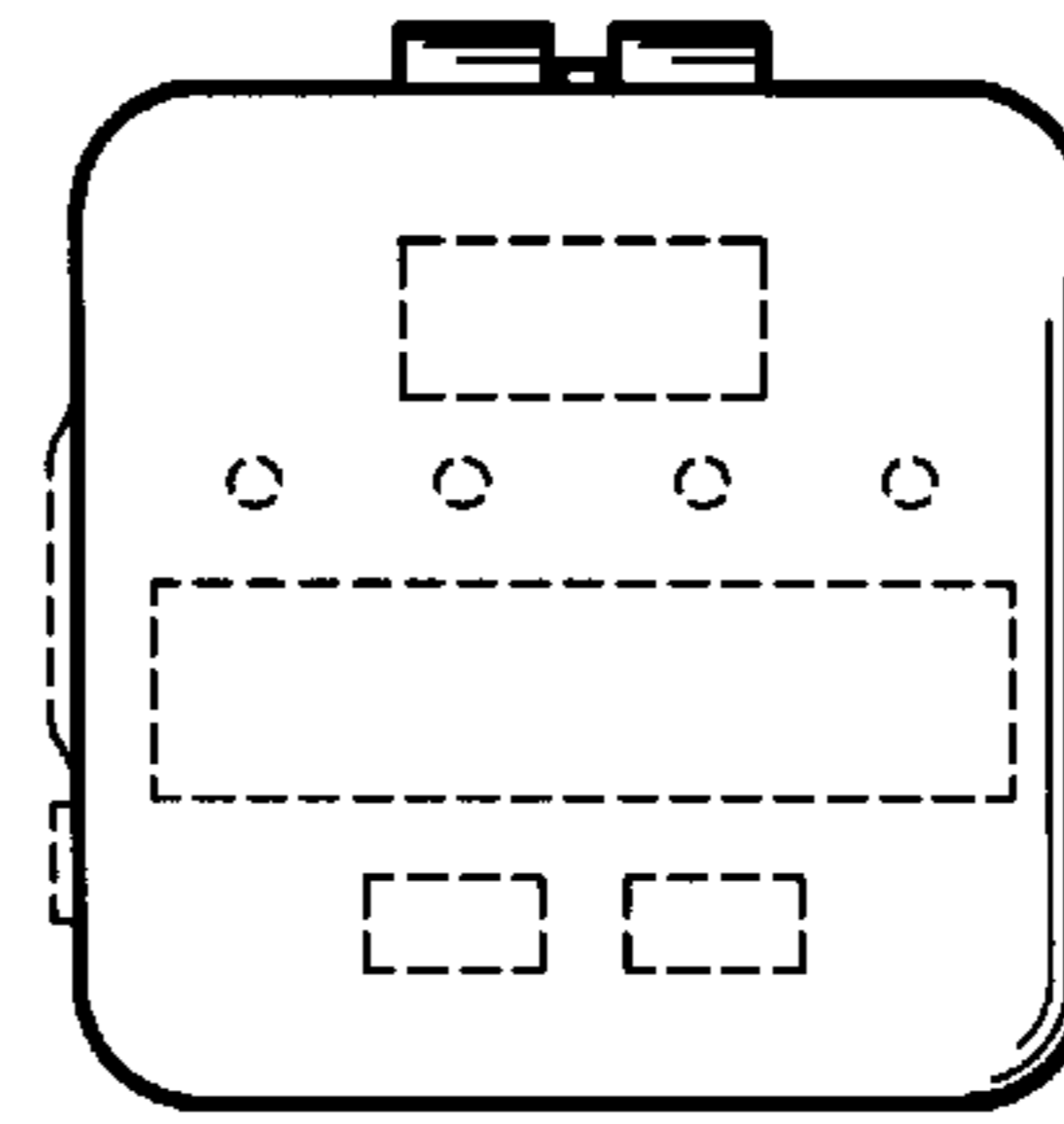


Fig. 3

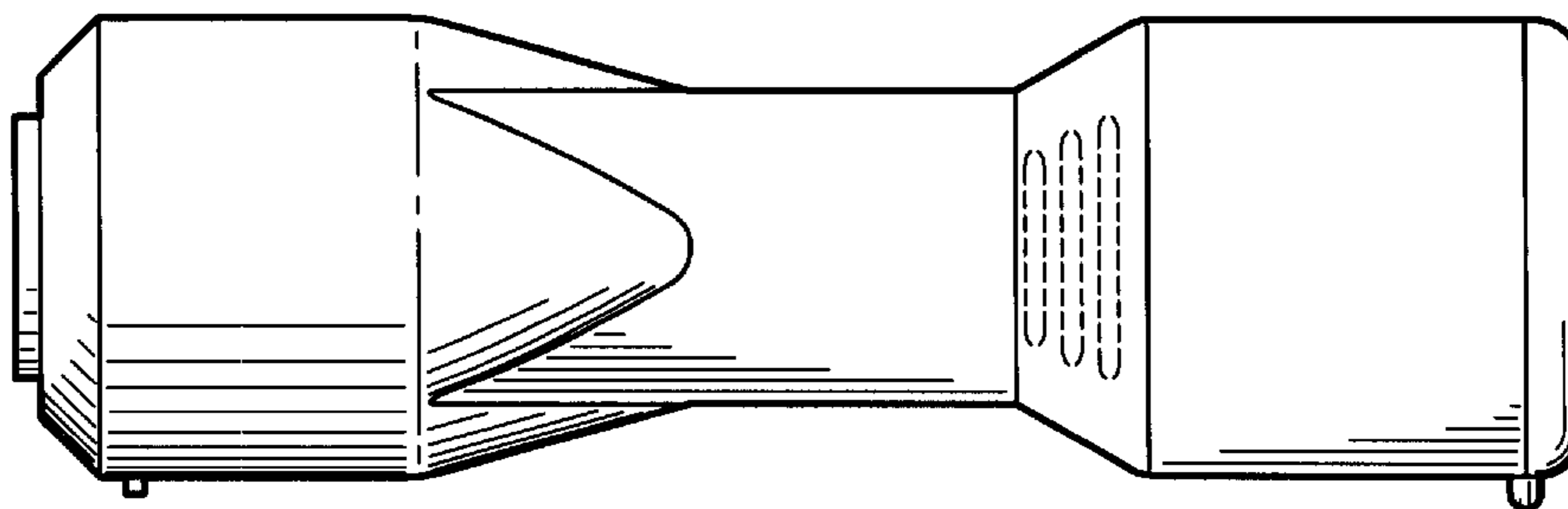


Fig. 4

Fig. 5

