

US00D529525S

(12) **United States Design Patent**
Waldron et al.

(10) **Patent No.:** **US D529,525 S**

(45) **Date of Patent:** **** Oct. 3, 2006**

(54) **HOLE SAW PLUG EJECTOR**

(75) Inventors: **Alan Waldron**, Burnaby (CA); **Dan Cervin**, Vancouver (CA); **Joel Whist**, West Vancouver (CA)

(73) Assignees: **Side F.X. Film Effects Inc.**, Vancouver (CA); **Infinite FX Ltd.**, Burnaby (CA); **WhistFX Productions Corp.**, West Vancouver (CA)

(**) Term: **14 Years**

(21) Appl. No.: **29/223,264**

(22) Filed: **Feb. 14, 2005**

(30) **Foreign Application Priority Data**

Aug. 16, 2004 (CA) 108084

(51) **LOC (8) Cl.** **15-09**

(52) **U.S. Cl.** **D15/139; D15/133**

(58) **Field of Classification Search** D15/133,
D15/138, 139; 408/68, 204, 206, 207, 209,
408/223–225, 703; 144/20, 21, 23
See application file for complete search history.

(56) **References Cited**

U.S. PATENT DOCUMENTS

51,252 A * 11/1865 Wyckoff 408/204
3,390,596 A * 7/1968 Trevathan 408/68
4,755,087 A * 7/1988 Parent 408/68

5,816,752 A * 10/1998 Benjamin 408/68
5,980,168 A * 11/1999 Tsylin et al. 408/204
2005/0220547 A1 * 10/2005 Jasso 408/68

FOREIGN PATENT DOCUMENTS

JP 11-205497 A 7/1999

* cited by examiner

Primary Examiner—Antoine D. Davis

Assistant Examiner—Patricia Palasik

(74) *Attorney, Agent, or Firm*—Oyen, Wiggs Green & Mutala LLP

(57) **CLAIM**

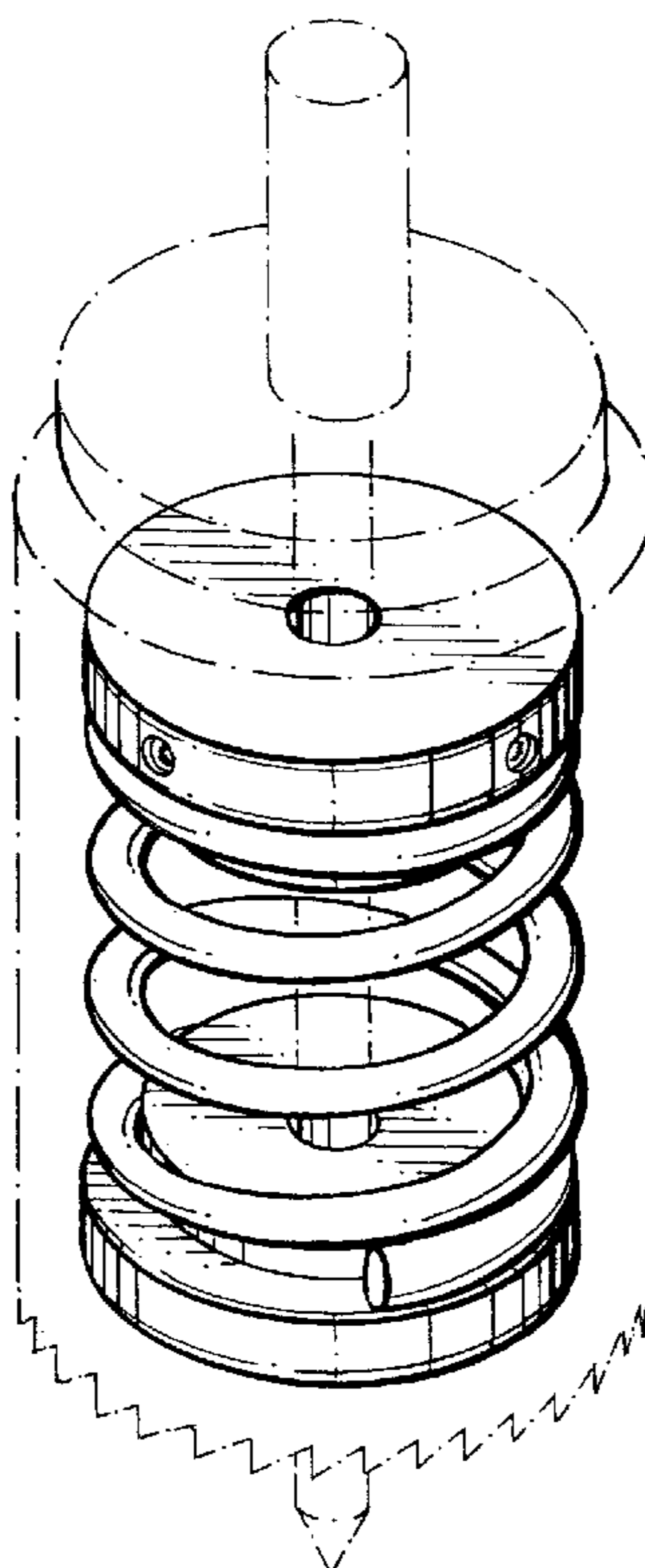
The ornamental design for a hole saw plug ejector, as shown and described.

DESCRIPTION

FIG. 1 is a perspective view of the applicant's hole saw plug ejector in accordance with the design; FIG. 2 is a top view thereof; FIG. 3 is a front view thereof; FIG. 4 is a bottom view thereof; FIG. 5 is a left view thereof; FIG. 6 is a right view thereof; and, FIG. 7 is a rear view thereof.

The dashed lines shown in FIG. 1 do not constitute a feature of the design, but rather are for illustrative purposes only and are intended to show the environment in which the hole saw plug ejector might be used.

1 Claim, 3 Drawing Sheets



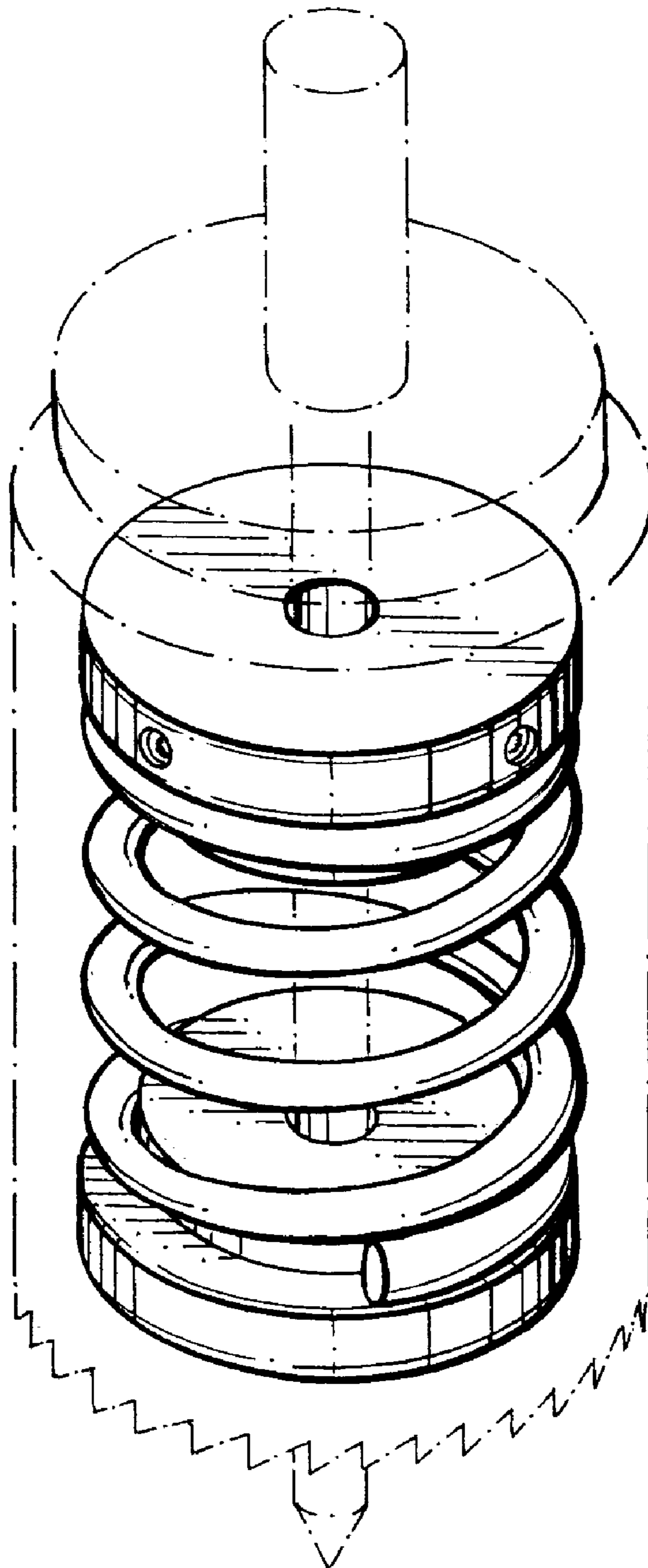


FIG. 1

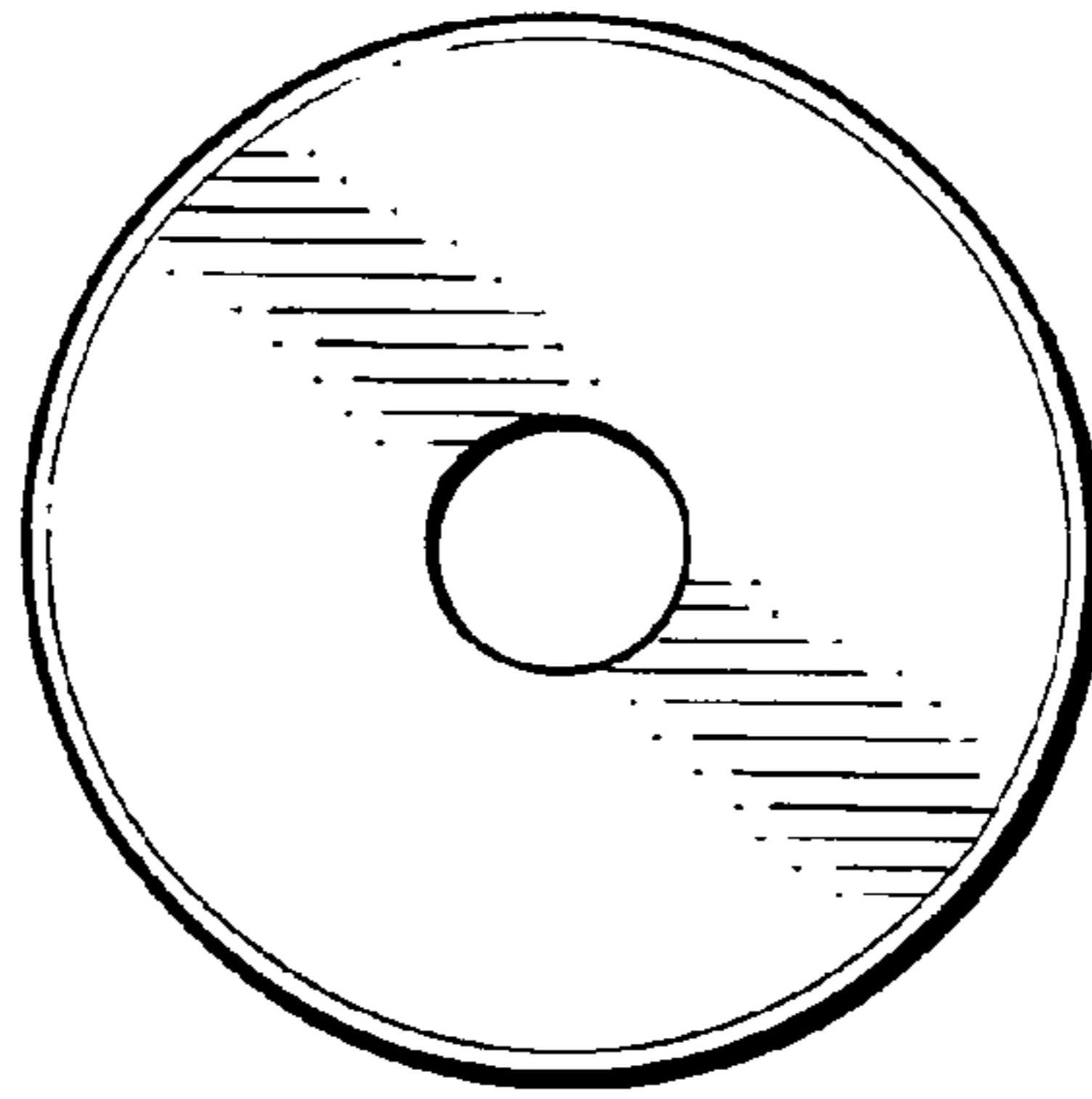


FIG. 2

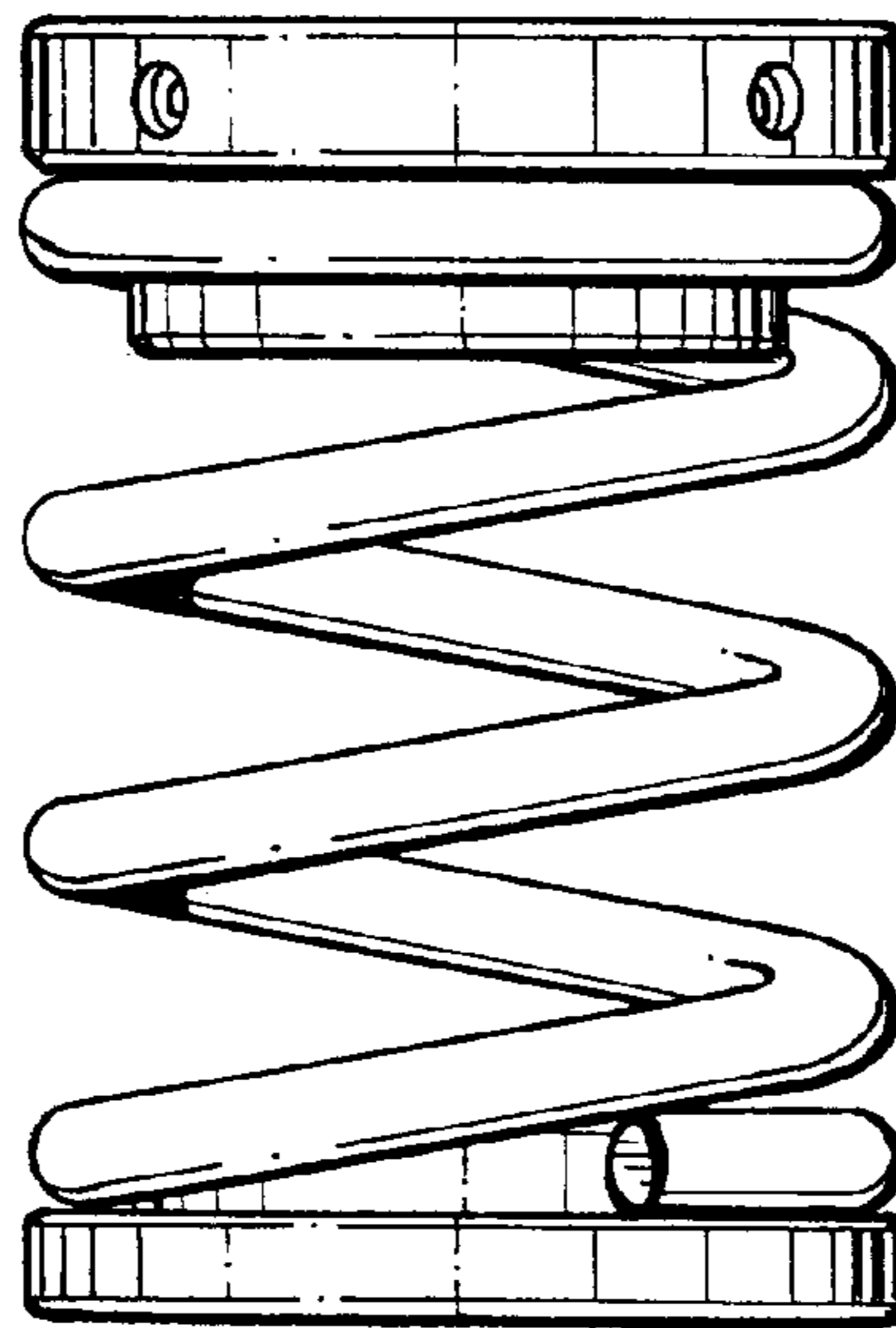


FIG. 3

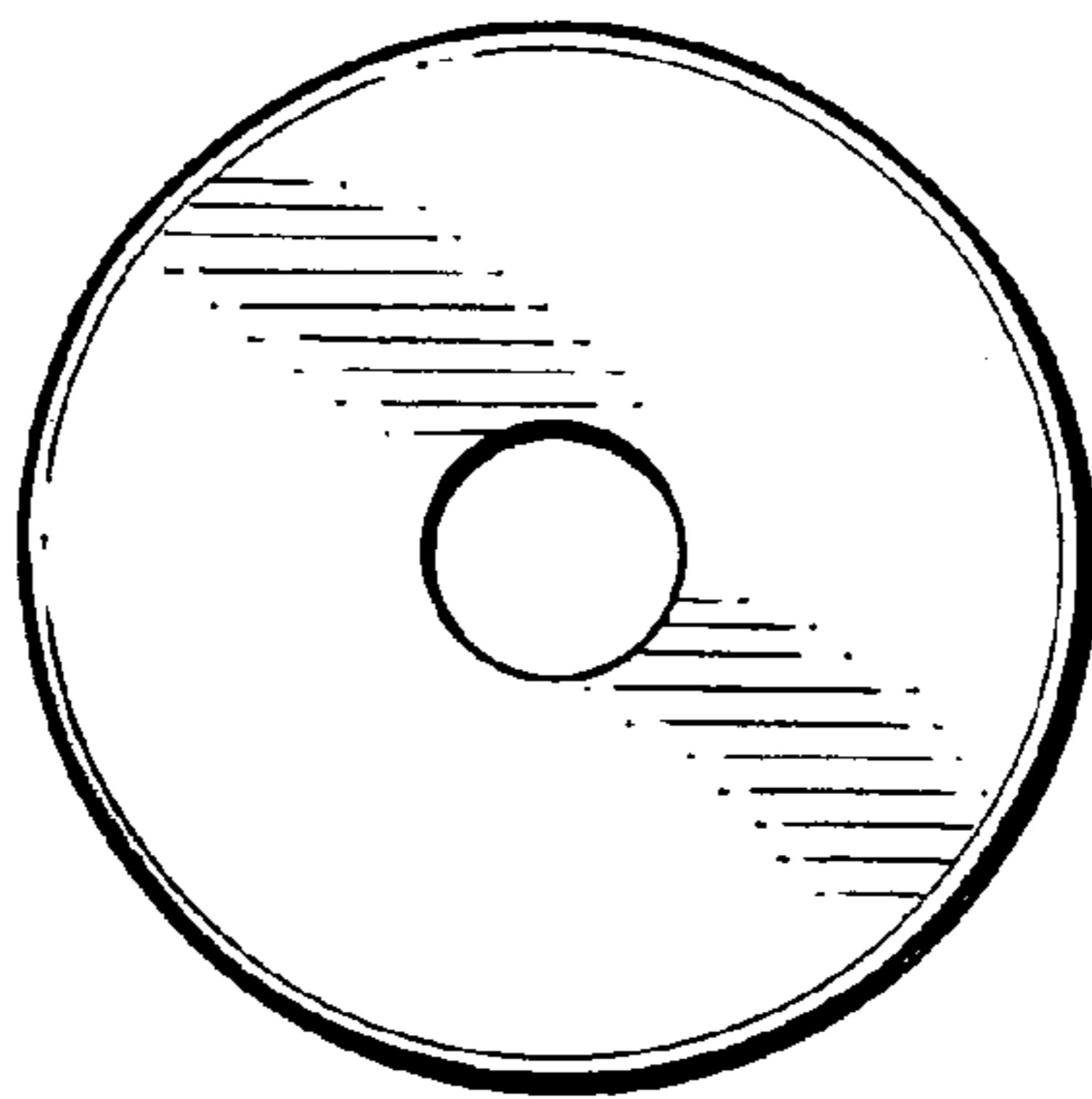


FIG. 4

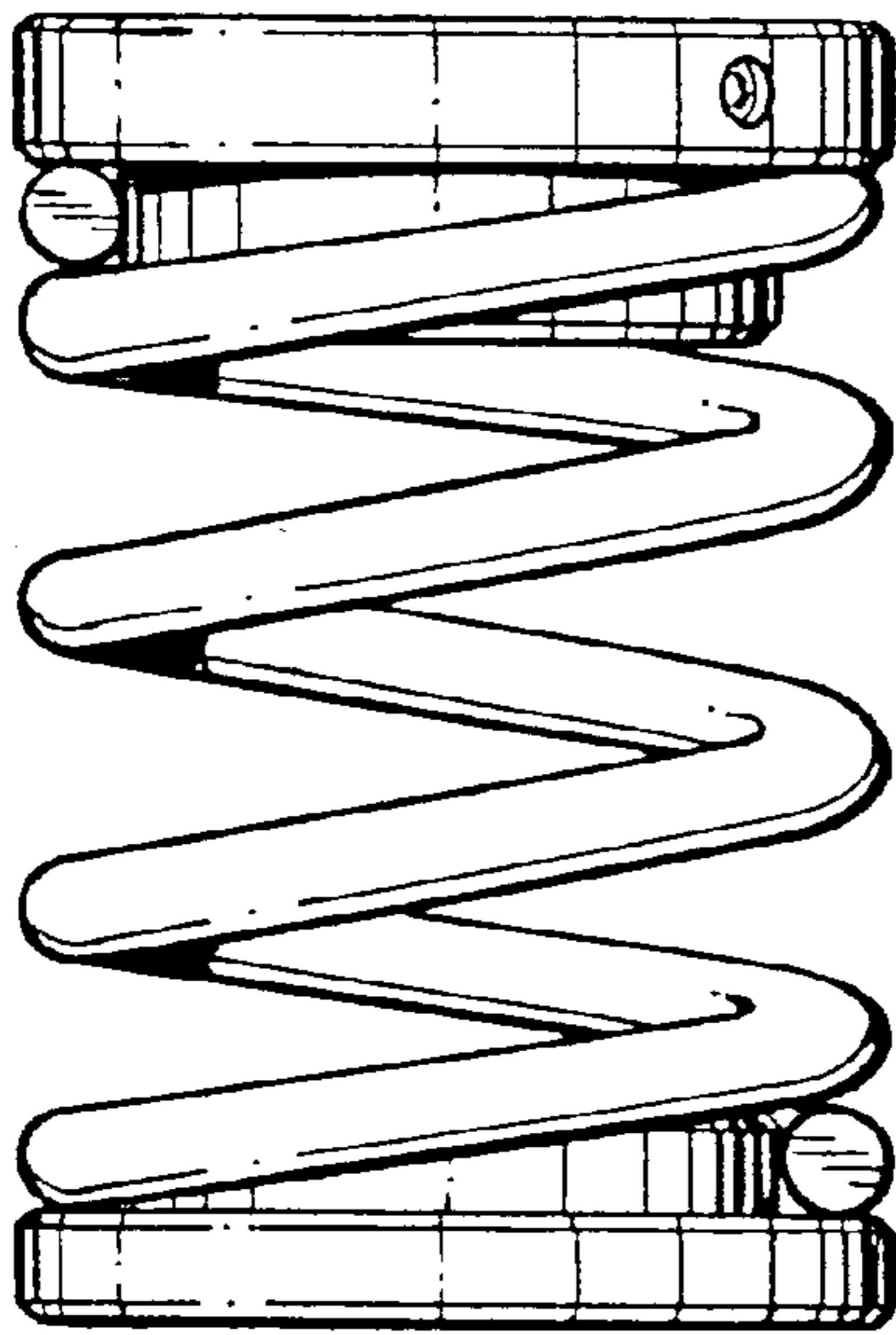


FIG. 5

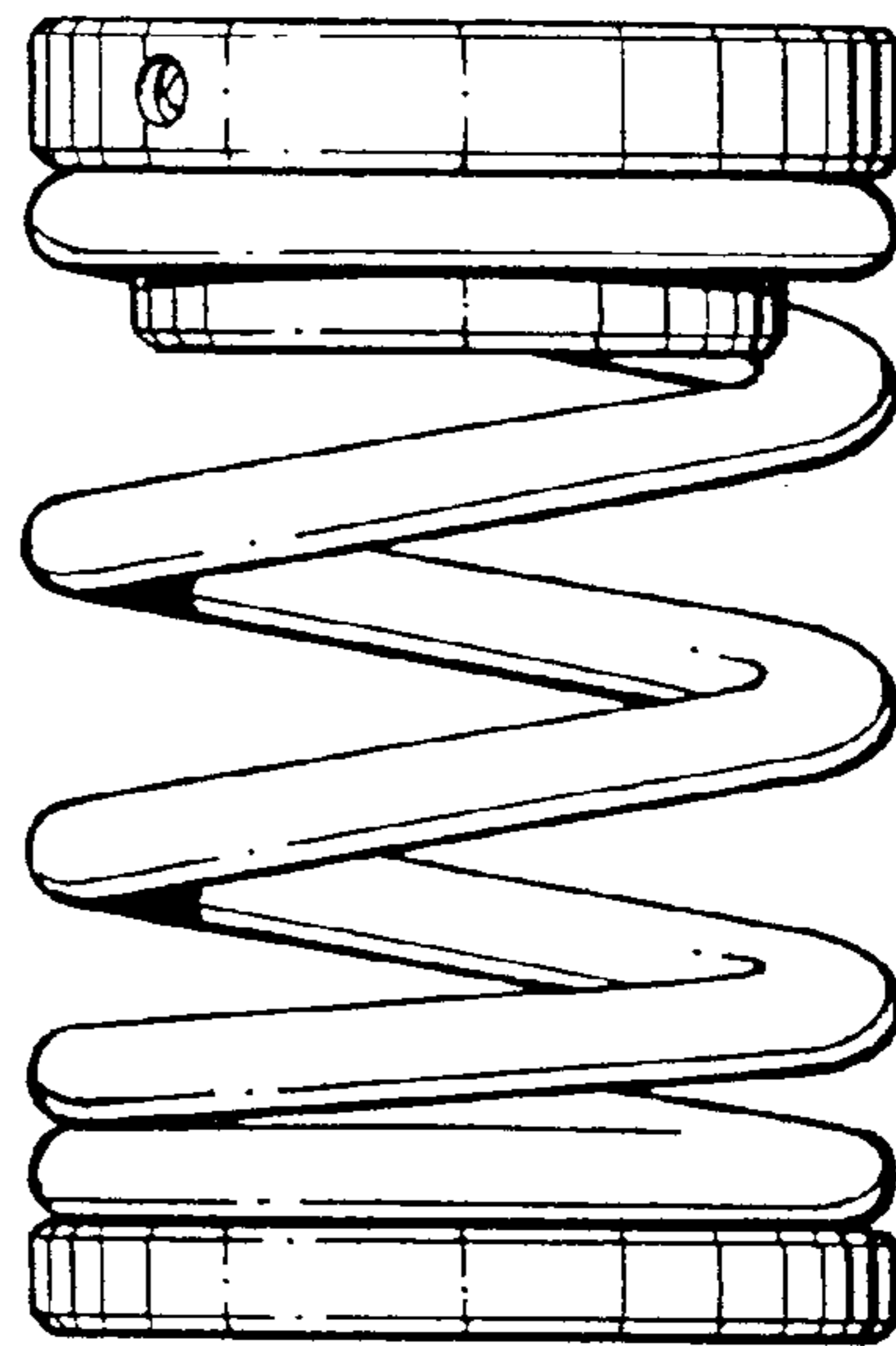


FIG. 6

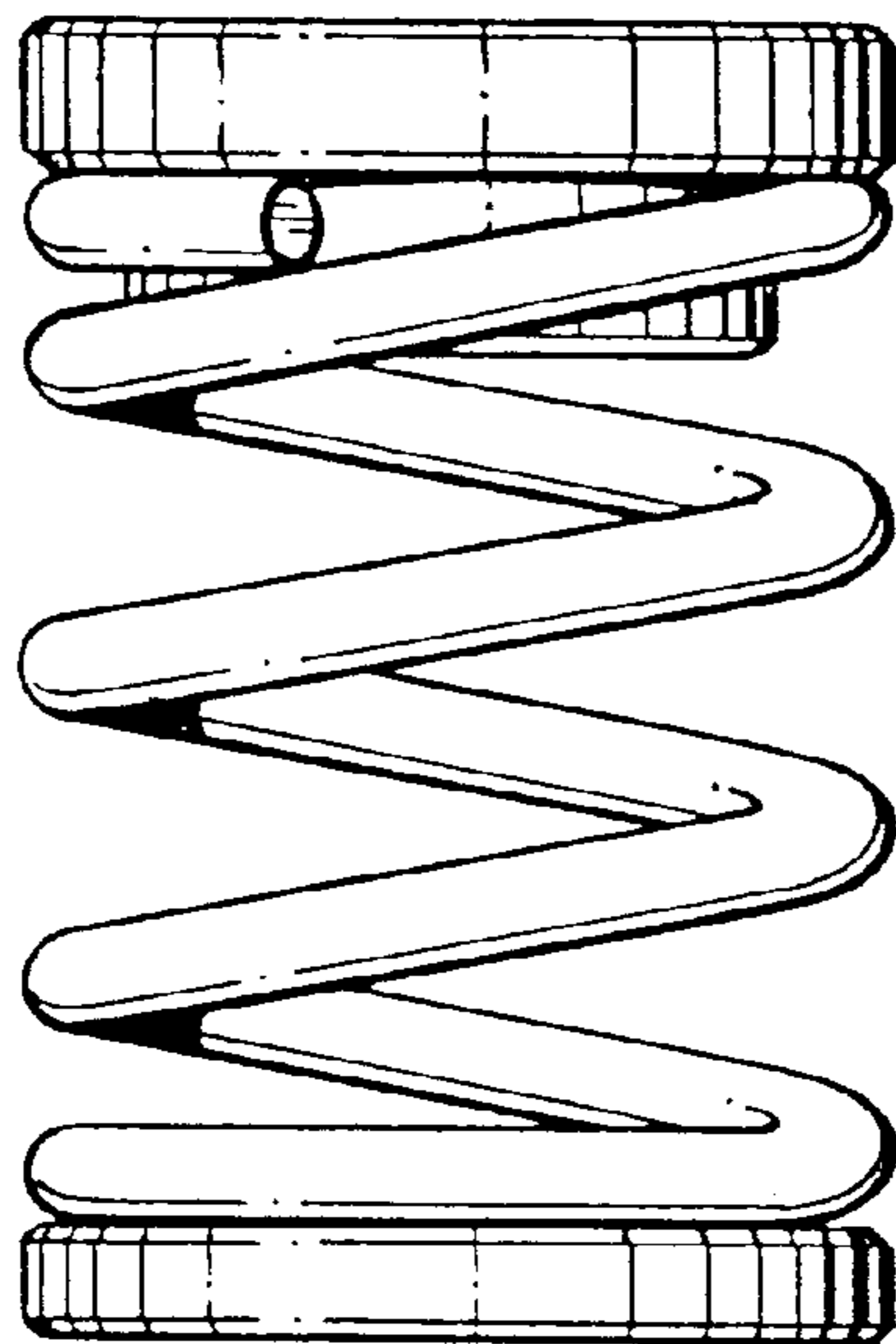


FIG. 7