



US00D529524S

(12) **United States Design Patent** (10) **Patent No.:** **US D529,524 S**  
**Duncan** (45) **Date of Patent:** **\*\* Oct. 3, 2006**

(54) **MANDREL SQUARE 2-POSITION**  
(75) Inventor: **Rod Duncan**, Plano, TX (US)  
(73) Assignee: **D4D Technologies, L.P.**, Richardson, TX (US)  
(\*\*) Term: **14 Years**  
(21) Appl. No.: **29/251,499**  
(22) Filed: **Jan. 9, 2006**  
(51) **LOC (8) Cl.** ..... **15-09**  
(52) **U.S. Cl.** ..... **D15/138**  
(58) **Field of Classification Search** ..... D15/138, D15/139, 140-142; 264/DIG. 55; 425/DIG. 10, 425/DIG. 42, 469; 601/141; 604/264; 606/185, 606/191, 192  
See application file for complete search history.

(56) **References Cited**  
U.S. PATENT DOCUMENTS  
3,413,391 A \* 11/1968 Carroll et al. .... 264/102  
4,695,241 A \* 9/1987 Ventimiglia ..... 425/275  
4,982,687 A \* 1/1991 Takahashi et al. .... 118/410  
D336,094 S \* 6/1993 Dejanon ..... D15/138  
D457,899 S \* 5/2002 Nam et al. .... D15/138

\* cited by examiner

*Primary Examiner*—Antoine D. Davis  
*Assistant Examiner*—Patricia Palasik  
(74) *Attorney, Agent, or Firm*—David C. Carstens; Carstens & Cahoon, LLP

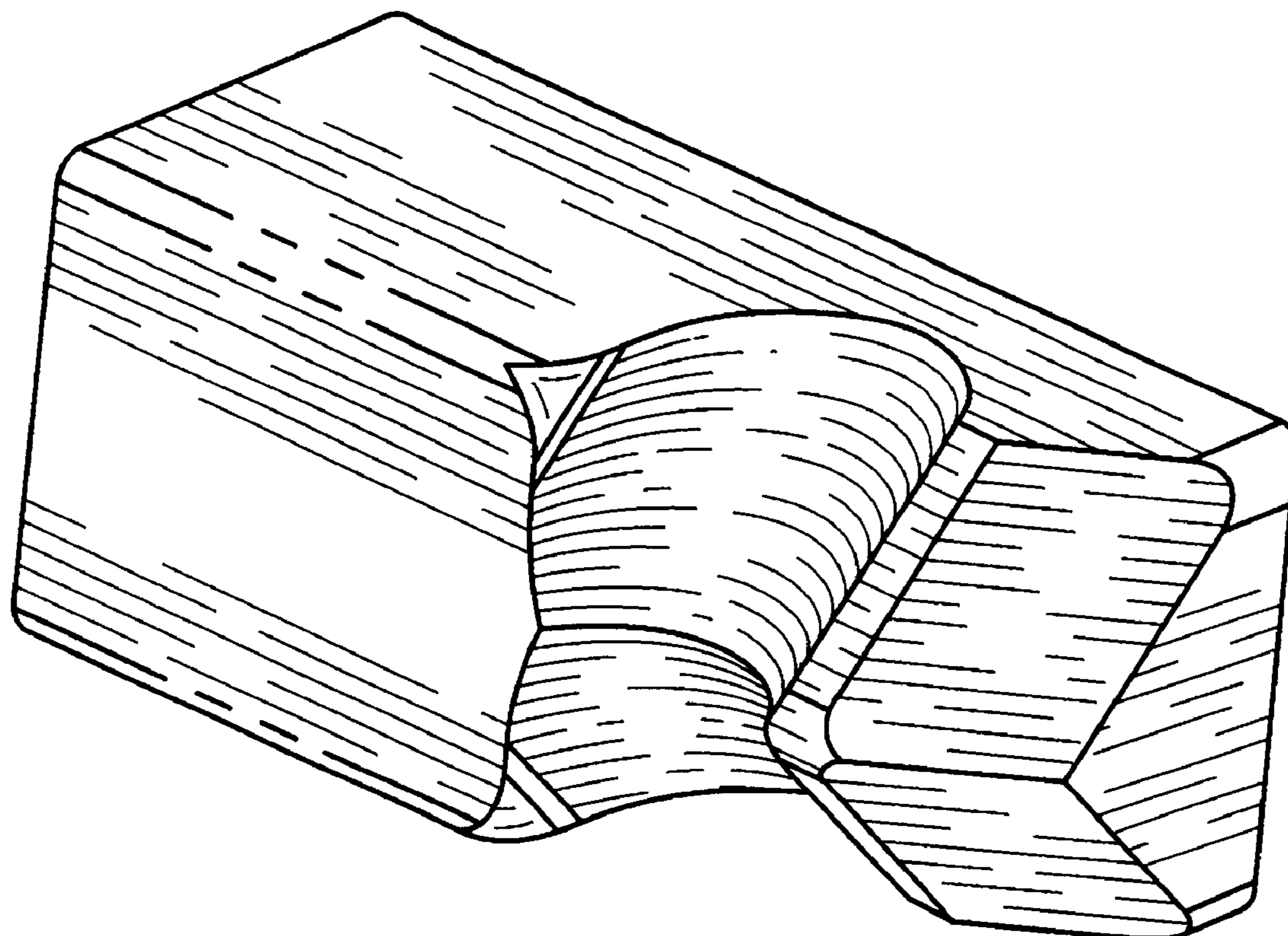
(57) **CLAIM**

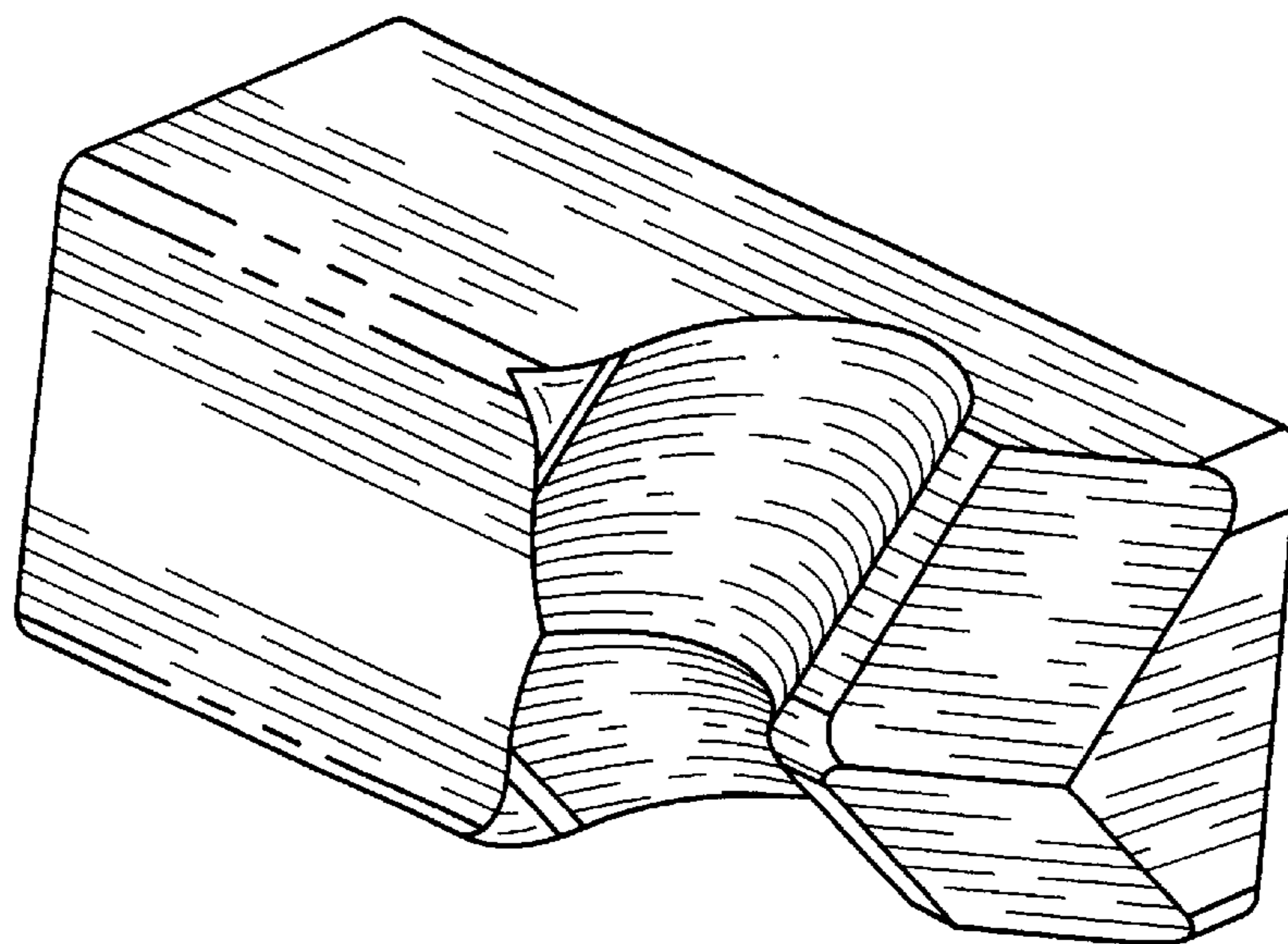
The ornamental design for a mandrel square 2-position, as shown.

**DESCRIPTION**

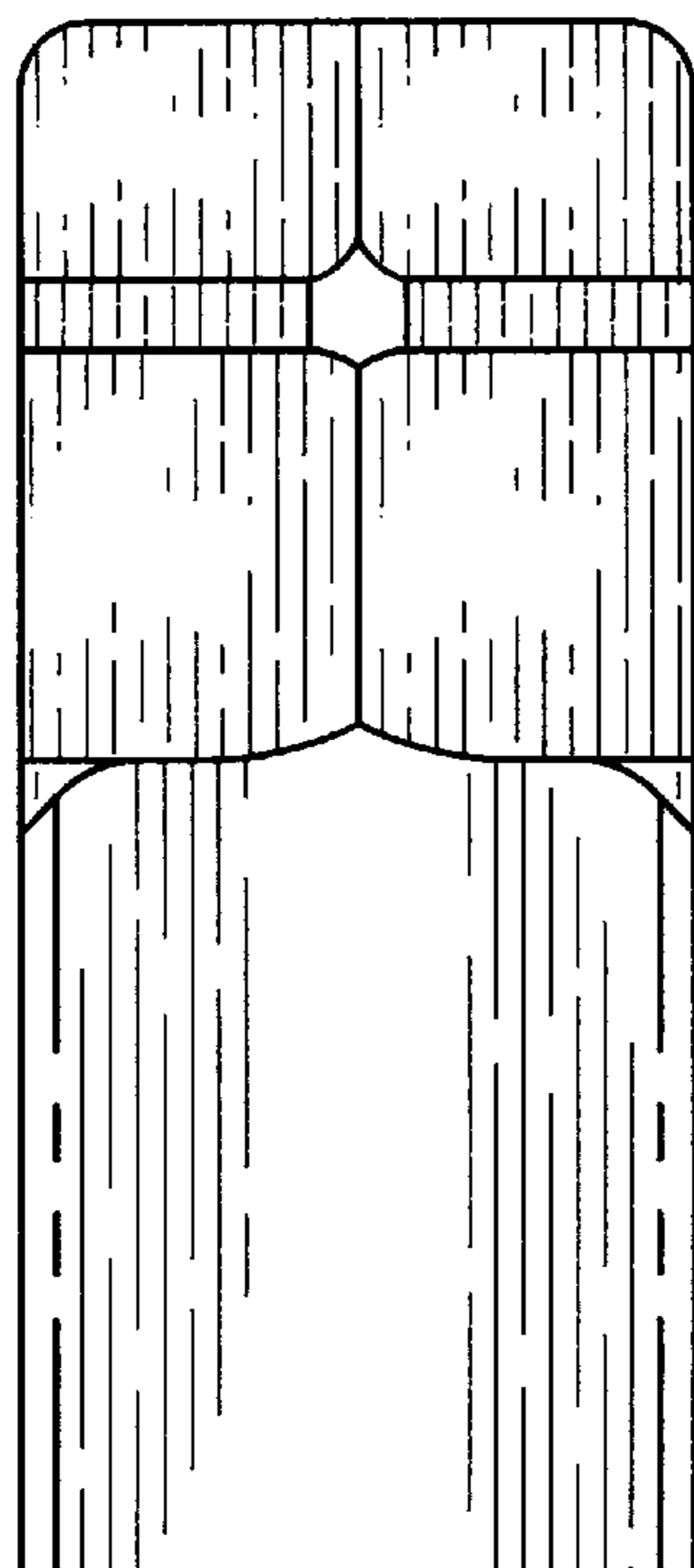
FIG. 1 is a perspective view of the mandrel square 2-position of the present invention;  
FIG. 2 is a front side view of the mandrel square 2-position of the present invention; and  
FIG. 3 is a back side view of the mandrel square 2-position of the present invention.  
FIG. 4 is a right side view of the mandrel square 2-position of the present invention.  
FIG. 5 is a top view of the mandrel square 2-position of the present invention; and,  
FIG. 6 is a bottom view of the mandrel square 2-position of the present invention.

**1 Claim, 2 Drawing Sheets**

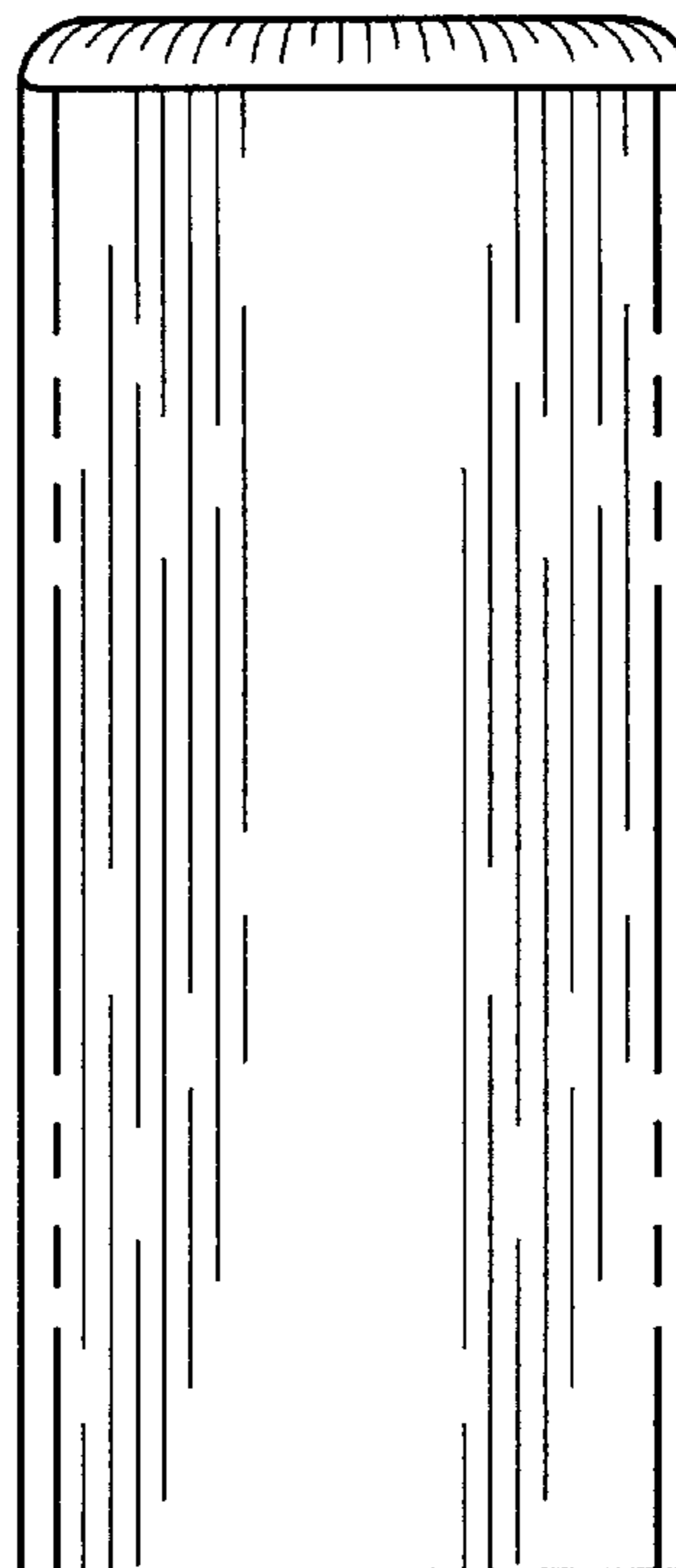




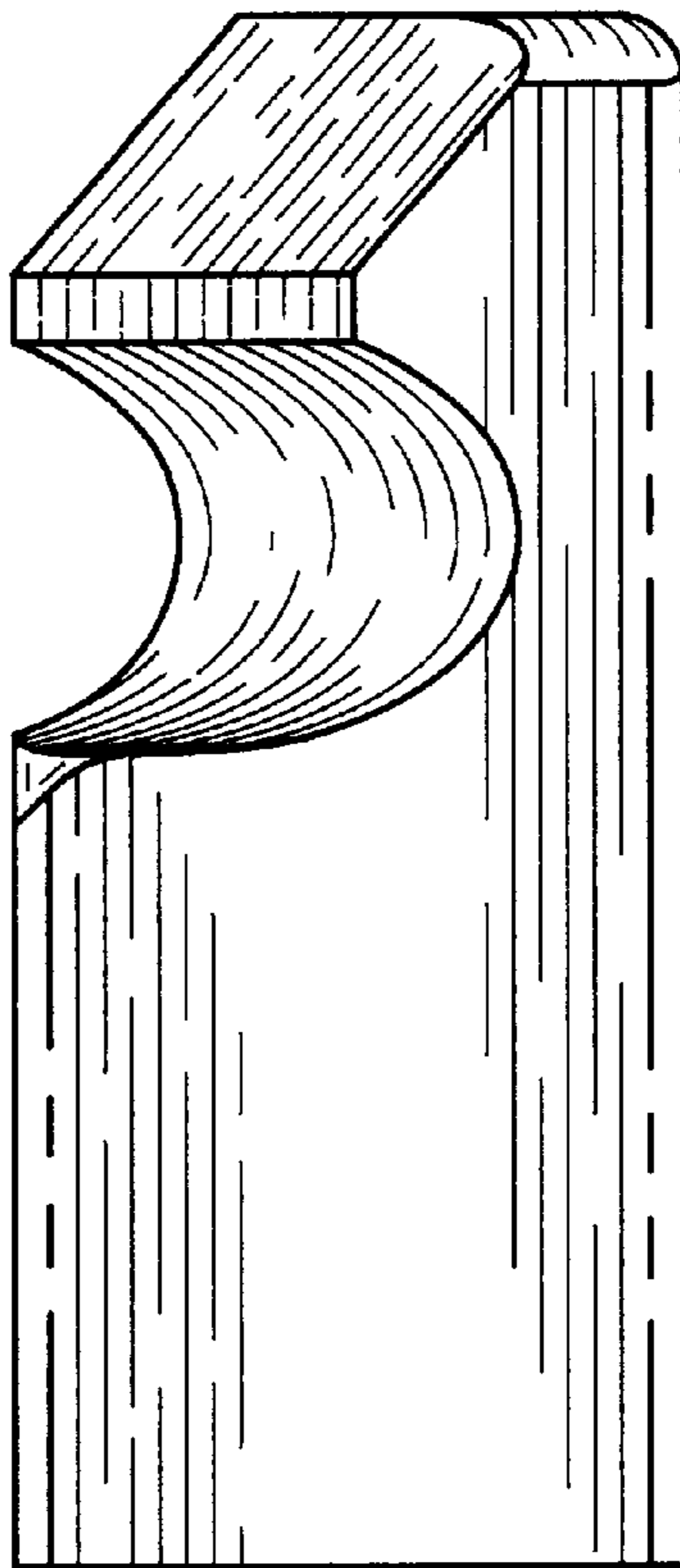
**FIG. 1**



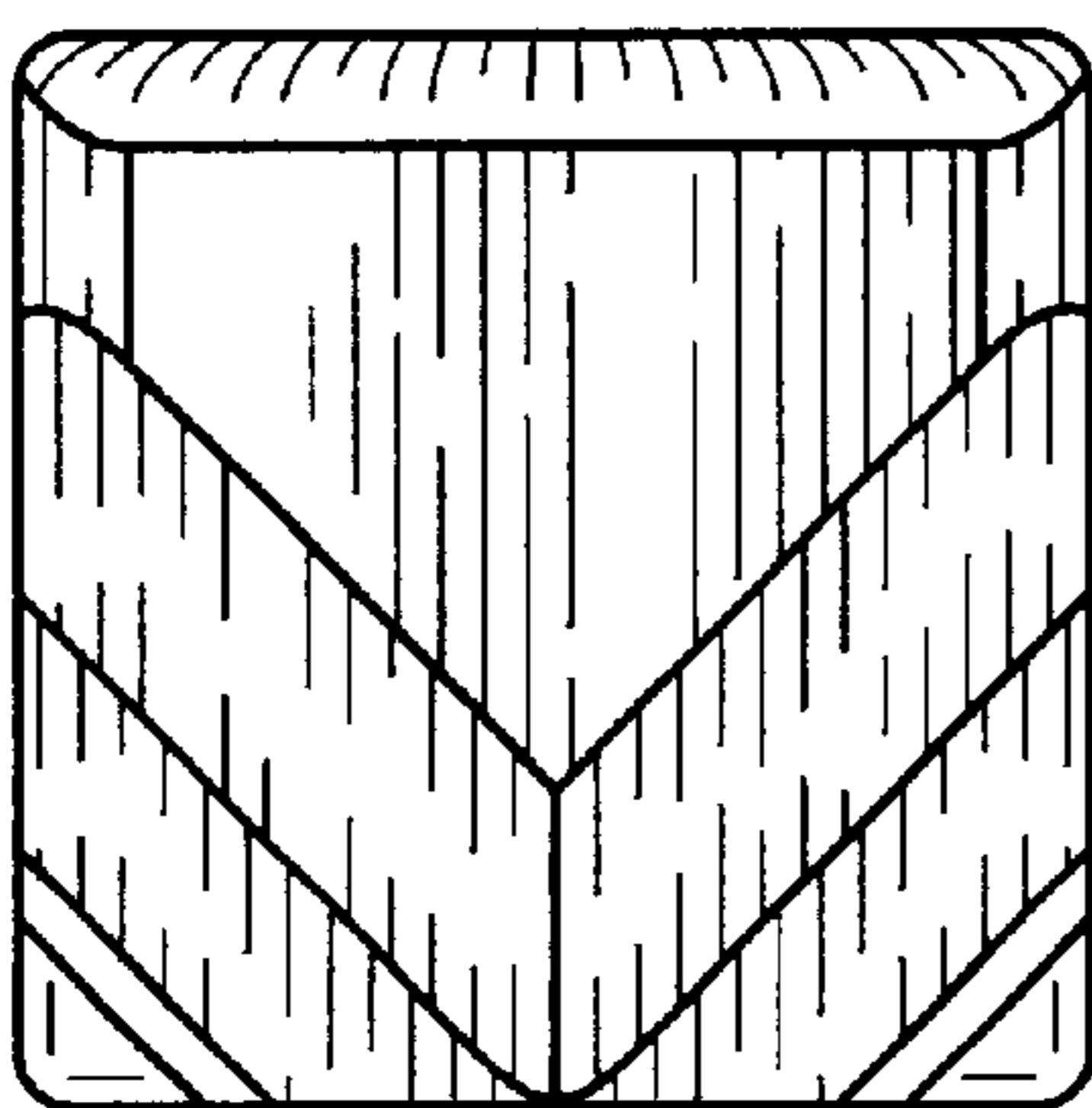
**FIG. 2**



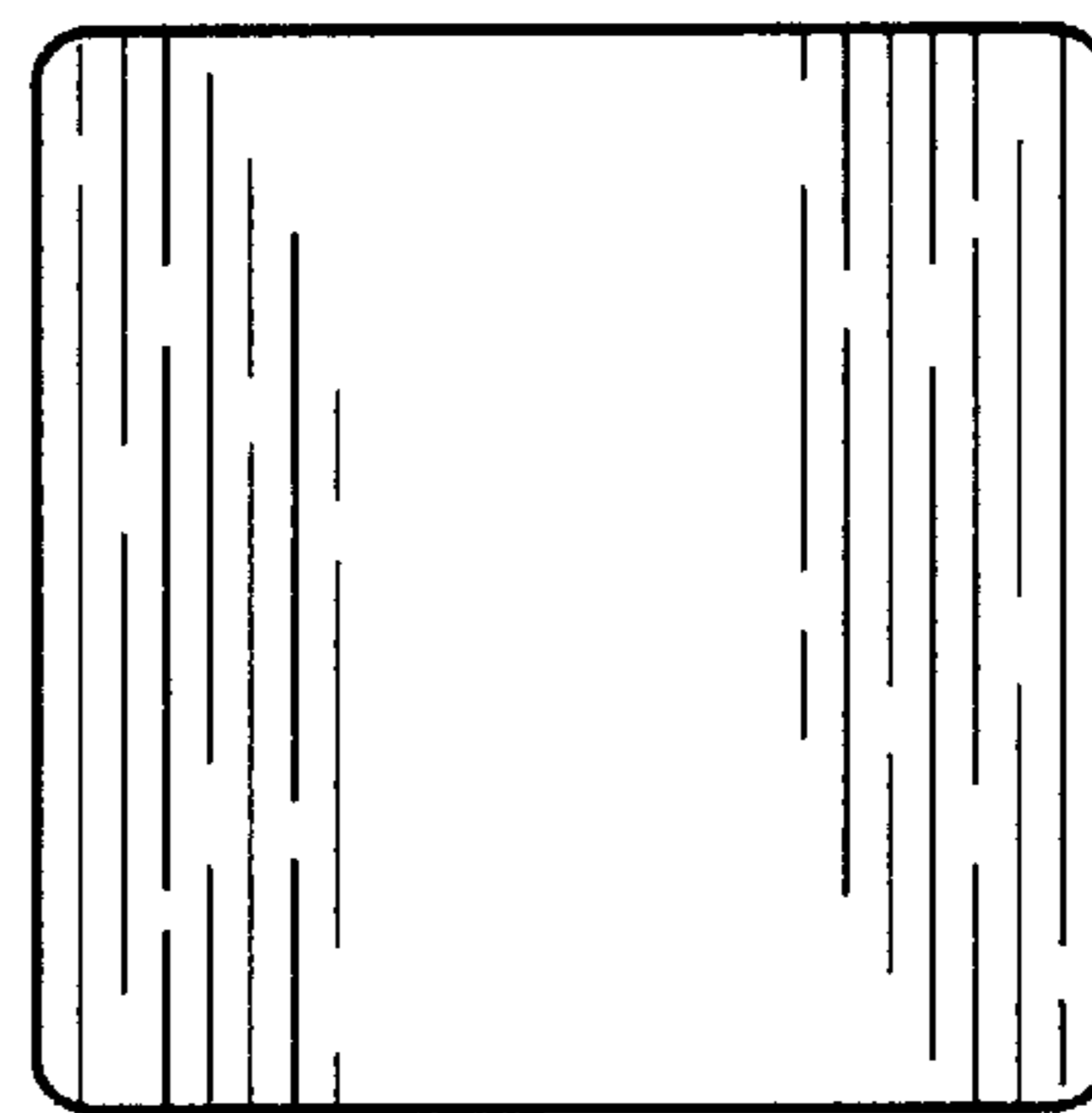
**FIG. 3**



**FIG. 4**



**FIG. 5**



**FIG. 6**