

US00D529521S

(12) **United States Design Patent**  
**Prince et al.**

(10) **Patent No.:** **US D529,521 S**  
(45) **Date of Patent:** **\*\* Oct. 3, 2006**

(54) **NON-CYLINDRICAL MANDREL**

D336,094 S \* 6/1993 Dejanon ..... D15/138  
D457,899 S \* 5/2002 Nam et al. .... D15/138

(75) Inventors: **Jeffrey Prince**, Grass Valley, CA (US);  
**Rod Duncan**, Plano, TX (US); **Branko Bem**, Plano, TX (US)

\* cited by examiner

*Primary Examiner*—Antoine D. Davis  
*Assistant Examiner*—Patricia Palasik

(73) Assignee: **D4D Technologies**, Richardson, TX (US)

(57) **CLAIM**

(\*\*) Term: **14 Years**

The ornamental design for a non-cylindrical mandrel, as shown and described.

(21) Appl. No.: **29/209,125**

**DESCRIPTION**

(22) Filed: **Jul. 9, 2004**

(51) **LOC (8) Cl.** ..... **15-09**

(52) **U.S. Cl.** ..... **D15/138**

(58) **Field of Classification Search** ..... D15/138,  
D15/139, 140–142; D25/123, 125, 42–44;  
72/370, 391.4; 249/52, 177, 144, 57; 264/302,  
264/510, 102, 257, DIG. 55; 425/275, 393,  
425/403, 215, 469, DIG. 10, DIG. 42; 408/235,  
408/714; 409/219, 241; 451/178; 601/141;  
606/191, 192, 185; 604/264

FIG. 1 is a perspective view of the non-cylindrical mandrel of the present invention;  
FIG. 2 is a first end view of the non-cylindrical mandrel of the present invention;  
FIG. 3 is a second end view of the non-cylindrical mandrel of the present invention;  
FIG. 4 is a right side view of the non-cylindrical mandrel of the present invention; and  
FIG. 5 is a left side view of the non-cylindrical mandrel of the present invention.  
FIG. 6 is a top view of the non-cylindrical mandrel of the present invention; and,  
FIG. 7 is a bottom view of the non-cylindrical mandrel of the present invention.

See application file for complete search history.

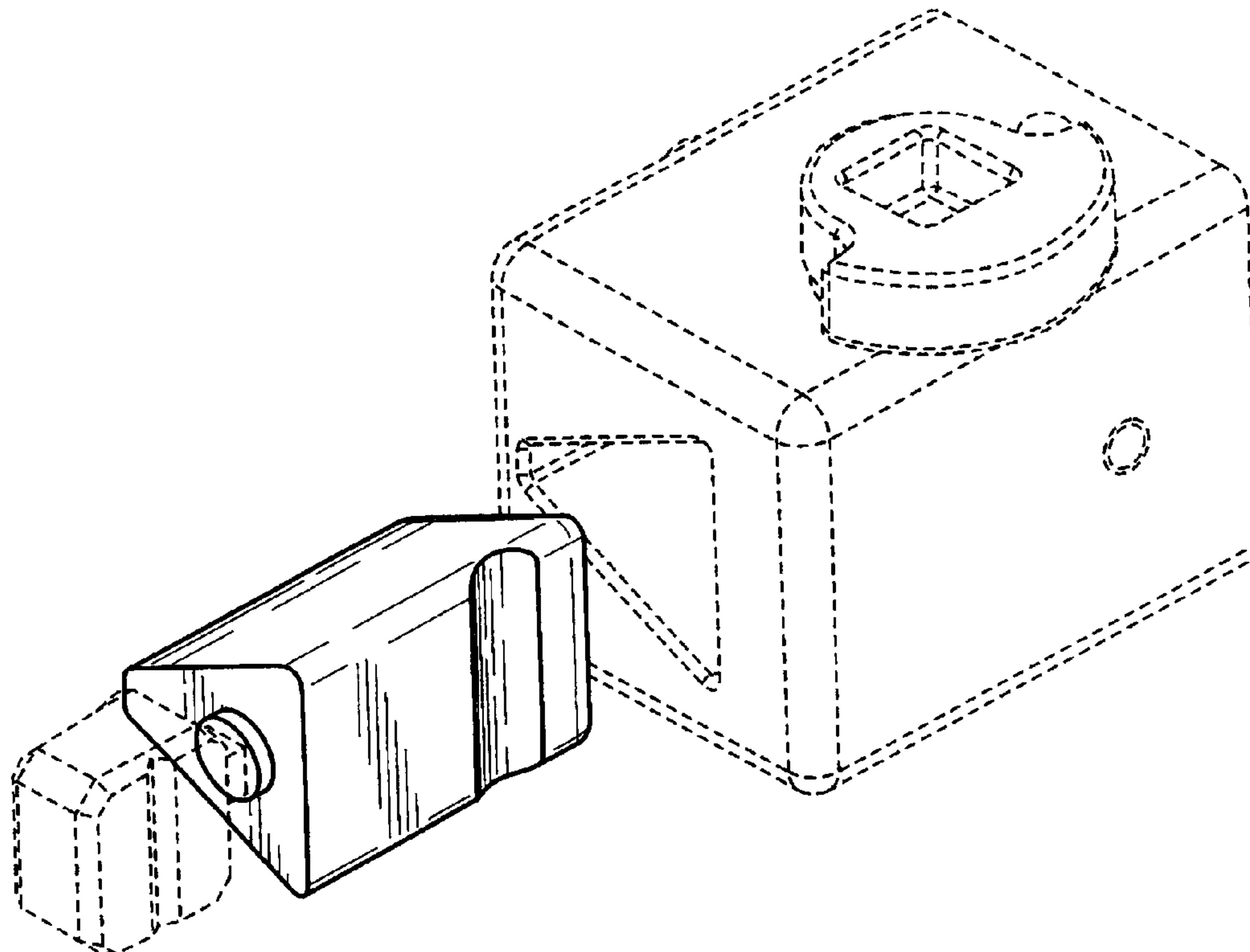
The broken line showing is for illustrative purposes only and forms no part of the claimed design.

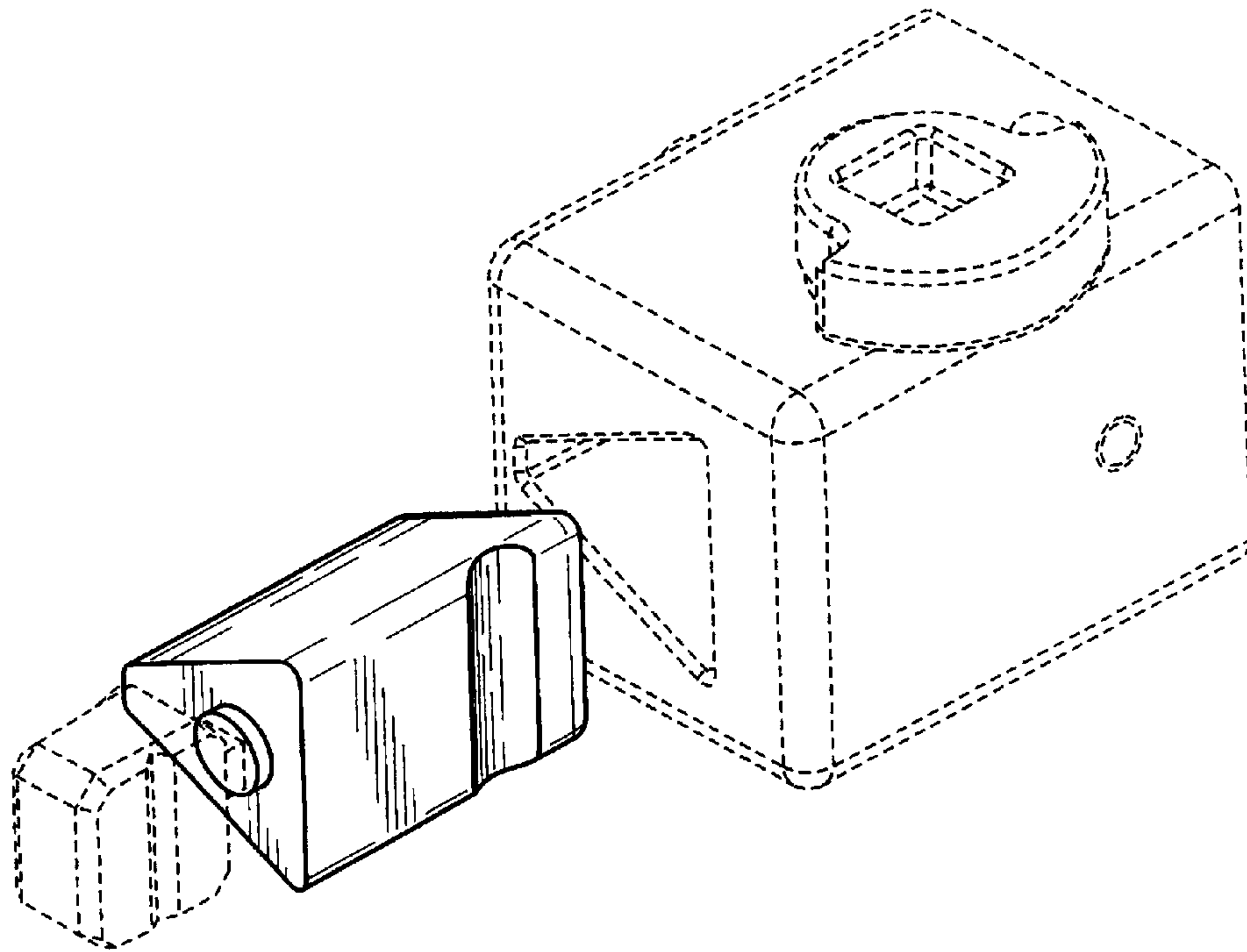
(56) **References Cited**

**U.S. PATENT DOCUMENTS**

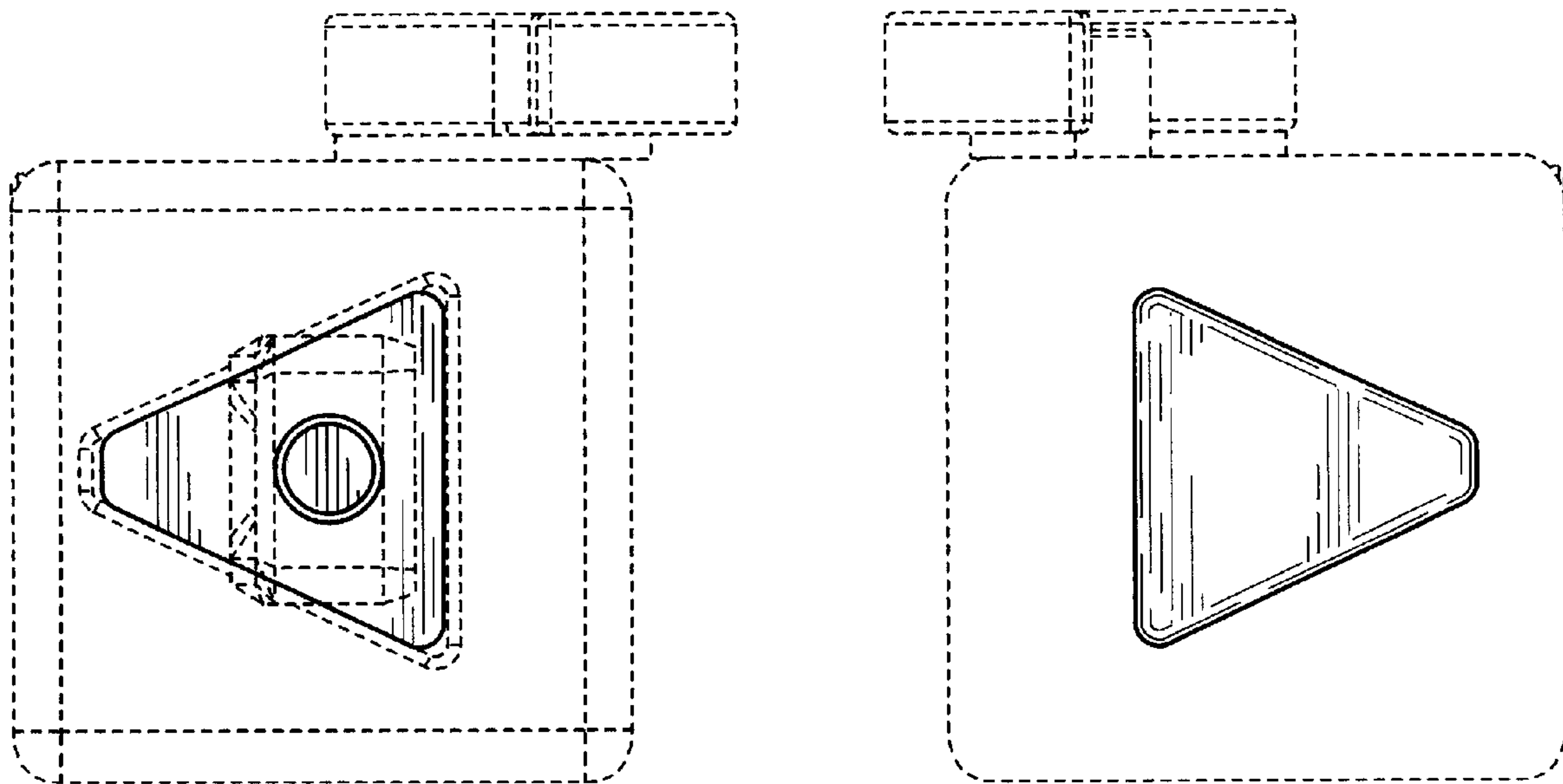
3,413,391 A \* 11/1968 Carroll et al. .... 264/102  
4,695,241 A \* 9/1987 Ventimiglia ..... 425/275  
4,982,687 A \* 1/1991 Takahashi et al. .... 118/410

**1 Claim, 3 Drawing Sheets**



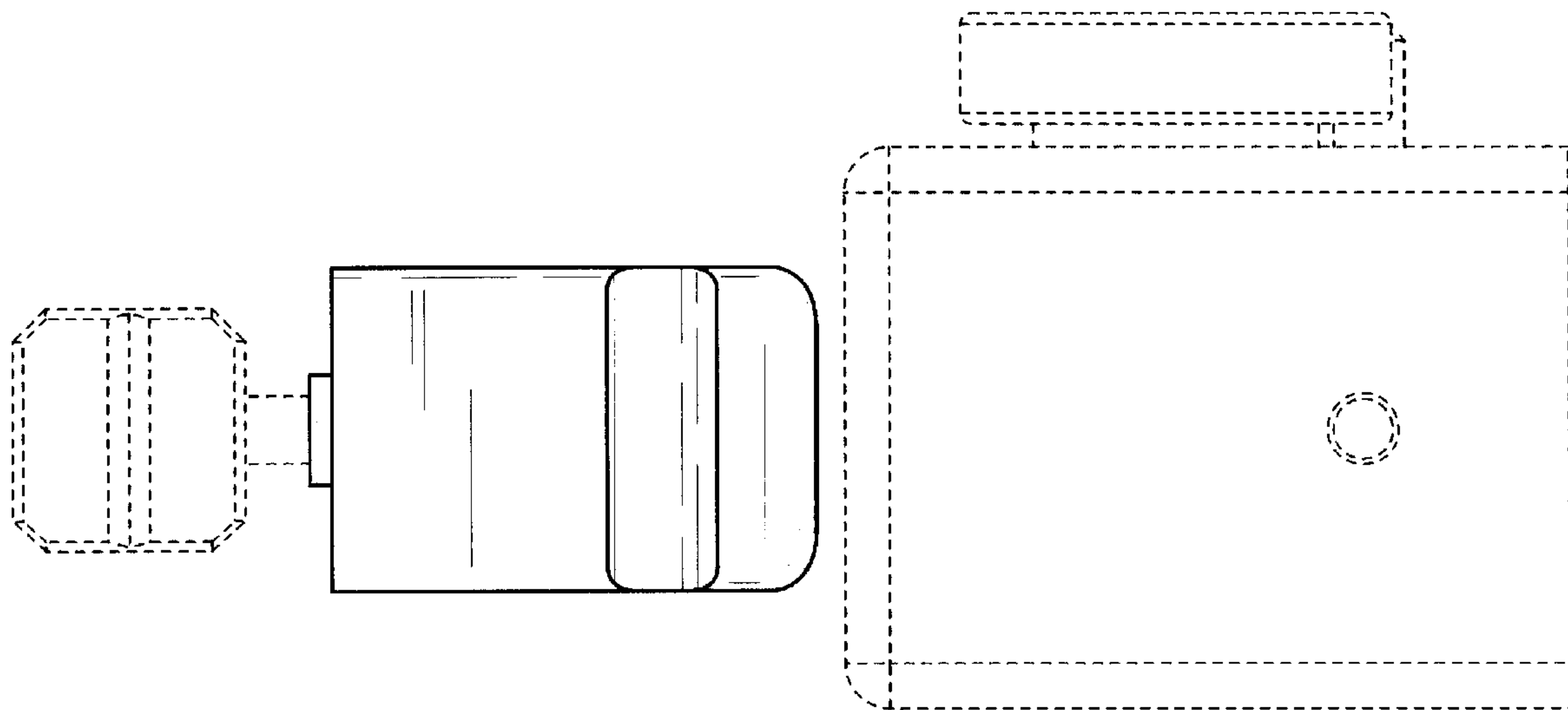


**FIG. 1**

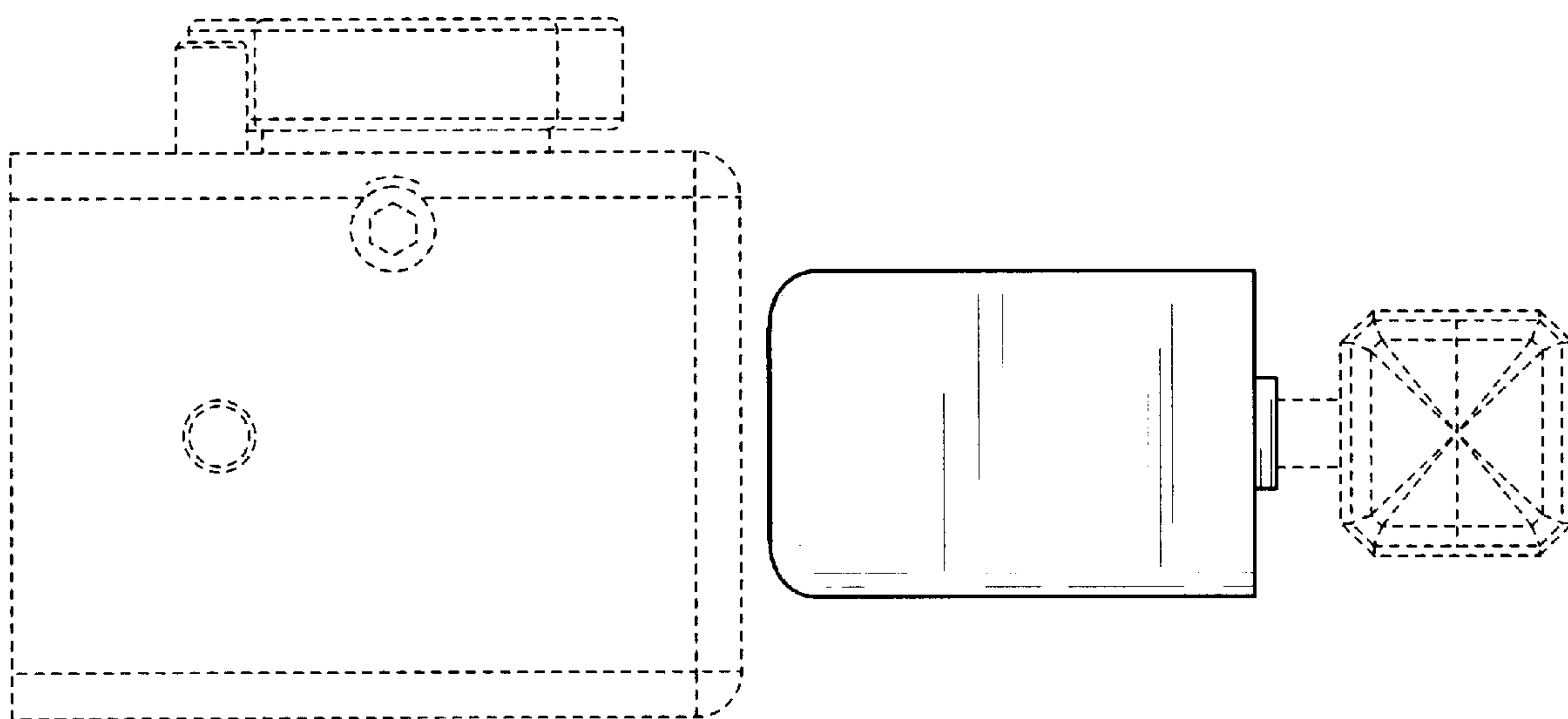


**FIG. 2**

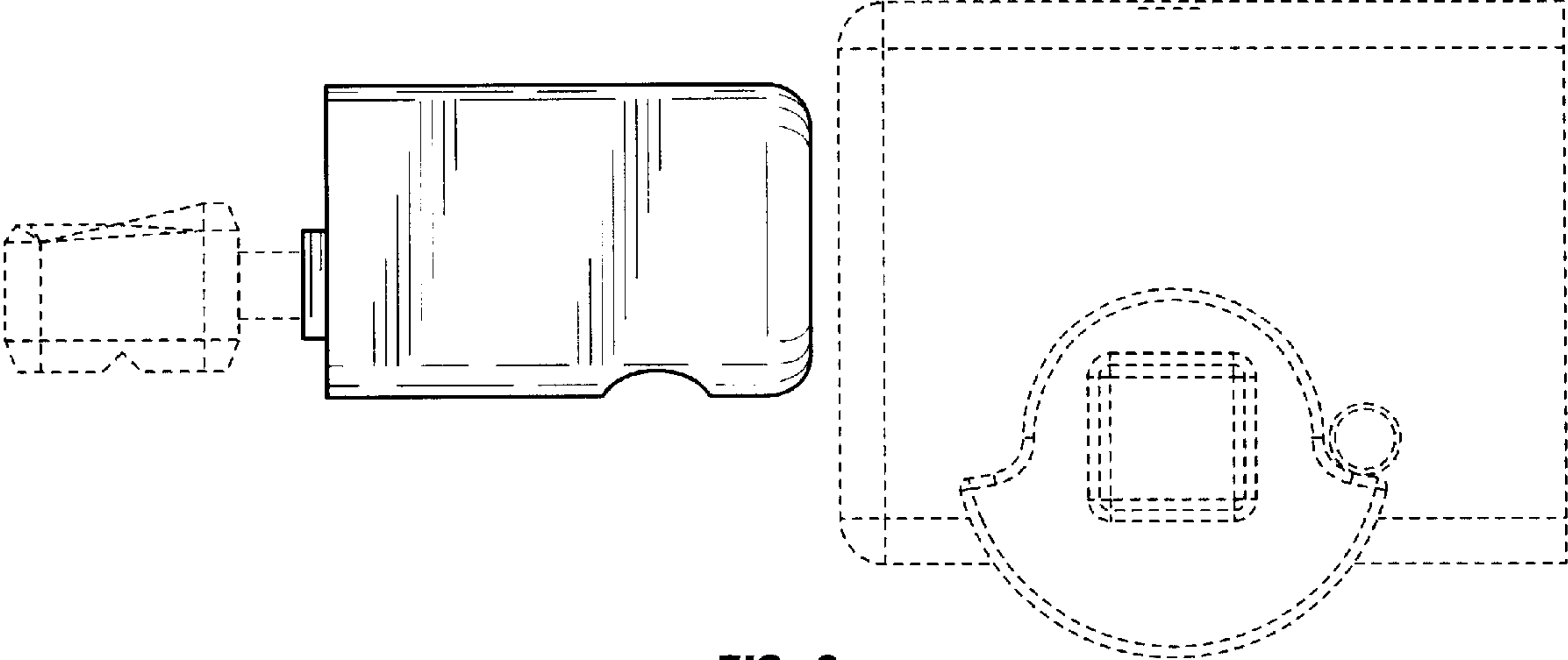
**FIG. 3**



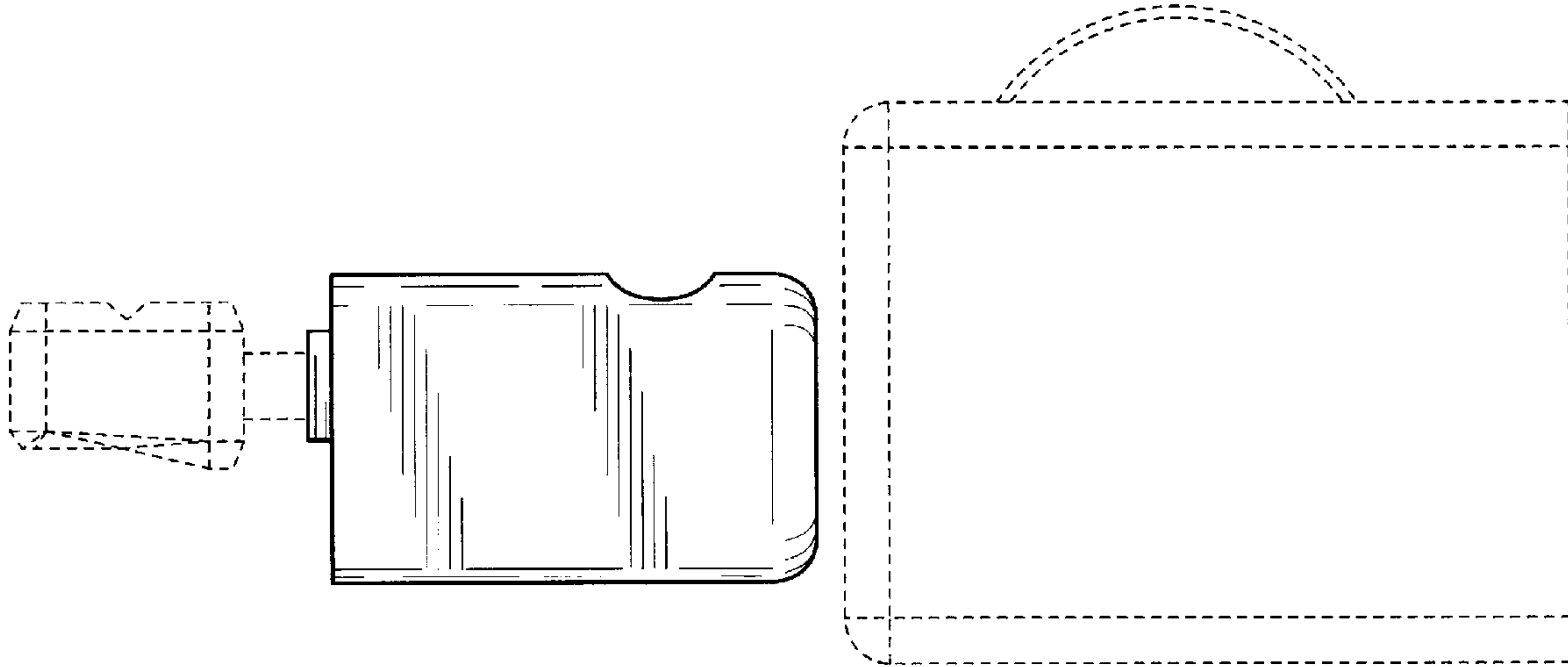
**FIG. 4**



**FIG. 5**



**FIG. 6**



**FIG. 7**

UNITED STATES PATENT AND TRADEMARK OFFICE  
**CERTIFICATE OF CORRECTION**

PATENT NO. : Des. 529,521 S  
APPLICATION NO. : 29/209125  
DATED : October 3, 2006  
INVENTOR(S) : Jeffrey Prince and Rod Duncan

Page 1 of 1

It is certified that error appears in the above-identified patent and that said Letters Patent is hereby corrected as shown below:


TITLE PAGE, ITEM (75) INVENTORS: please correct the inventors information by removing "Branko Bem, Plano, TX (US)"

TITLE PAGE, ITEM (75) INVENTORS: SHOULD READ:

--(75) Inventors: Jeffrey Prince, Grass Valley, CA (US): Rod Duncan, Plano, TX (US)--

Signed and Sealed this

Sixteenth Day of October, 2007

A handwritten signature in black ink on a light gray dotted background. The signature reads "Jon W. Dudas" in a cursive style.

JON W. DUDAS

*Director of the United States Patent and Trademark Office*