



US00D529518S

(12) **United States Design Patent**
Buck

(10) **Patent No.:** **US D529,518 S**

(45) **Date of Patent:** **** Oct. 3, 2006**

(54) **HAND PORTABLE AIR COMPRESSOR**

(75) Inventor: **John E. Buck**, Cockeysville, MD (US)

(73) Assignee: **Black & Decker Inc.**, Newark, DE (US)

(**) Term: **14 Years**

(21) Appl. No.: **29/233,539**

(22) Filed: **Jul. 6, 2005**

D505,430 S	*	5/2005	Buck	D15/9
D515,591 S	*	2/2006	Buck	D15/9
D516,092 S	*	2/2006	Buck	D15/9
2004/0028535 A1		2/2004	Brashears et al.		

FOREIGN PATENT DOCUMENTS

DE	M 92 07 249	10/1992
DE	MR 498 08 081	8/1998
DE	MR 498 08 686	8/1998
WO	DM/054178	11/2000
WO	DM/057951	8/2001

* cited by examiner

Primary Examiner—Ralf Seifert

(74) *Attorney, Agent, or Firm*—Michael P. Leary; Charles E. Yocum; Adan Ayala

Related U.S. Application Data

(63) Continuation-in-part of application No. 11/053,033, filed on Feb. 8, 2005, now Pat. No. 6,991,437.

(51) **LOC (8) Cl.** **15-09**

(52) **U.S. Cl.** **D15/9**

(58) **Field of Classification Search** D15/7-9;
D23/232, 231; 417/359, 415-416, 410.1,
417/321, 265, 405

See application file for complete search history.

(57) **CLAIM**

The ornamental design for a hand portable air compressor, as shown and described.

DESCRIPTION

FIG. 1 is a left/front perspective view of a hand portable air compressor showing my new design.

FIG. 2 is a front view thereof.

FIG. 3 is a rear view thereof.

FIG. 4 is a left side view thereof.

FIG. 5 is a right side view thereof.

FIG. 6 is a top view thereof; and,

FIG. 7 is a bottom view thereof.

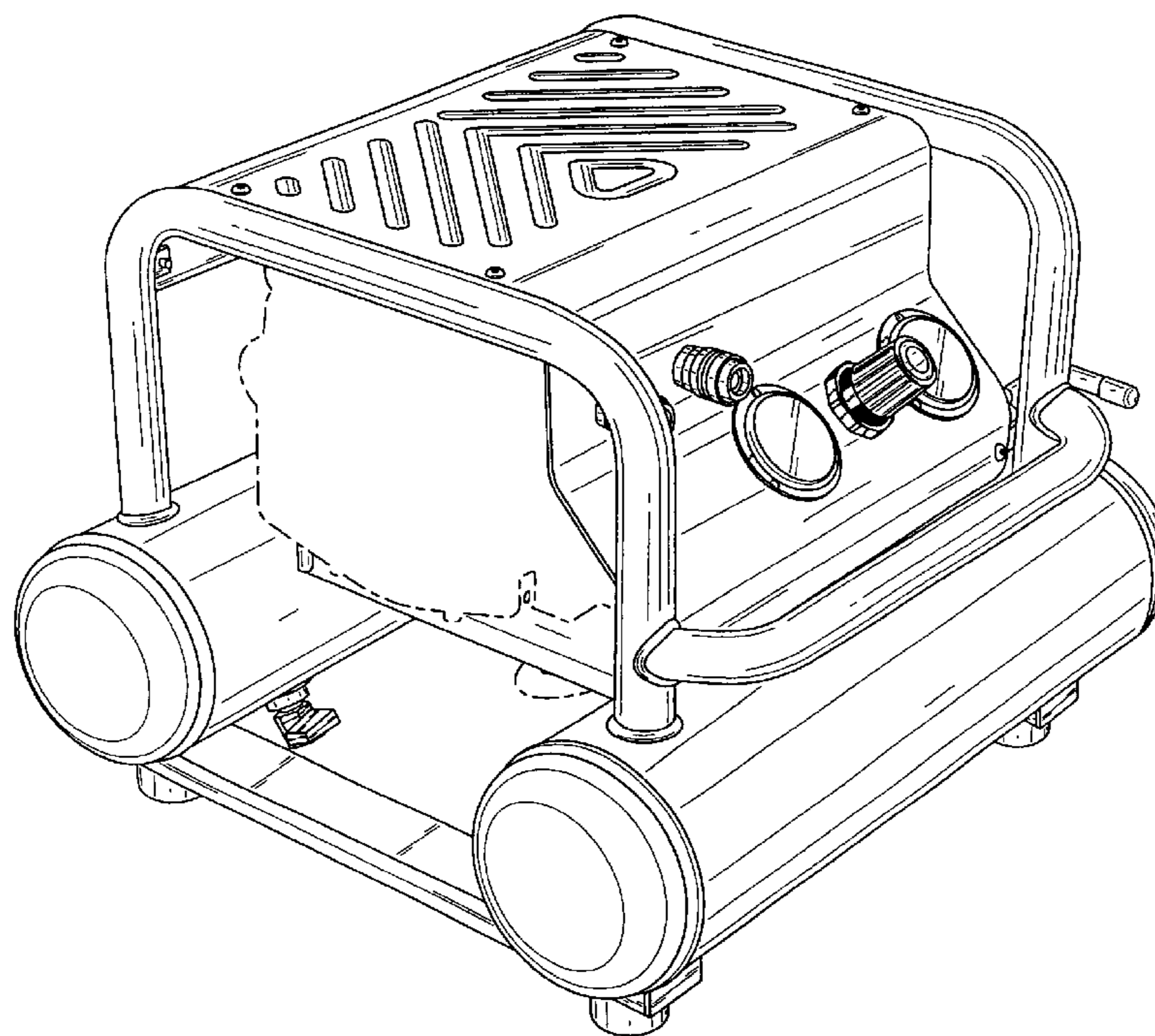
The dashed lines and the areas within the dashed lines form no part of the claimed ornamental design.

(56) **References Cited**

U.S. PATENT DOCUMENTS

D452,253 S	12/2001	Matthew et al.	
D454,357 S	*	3/2002	Diels D15/7
6,406,270 B1	6/2002	Kopel	
D460,763 S	7/2002	Buck	
D461,196 S	8/2002	Buck	
D471,918 S	3/2003	Buck	
D471,919 S	*	3/2003	Buck D15/9
6,582,201 B1	6/2003	Lucchi	
D482,371 S	11/2003	Buck	

1 Claim, 7 Drawing Sheets



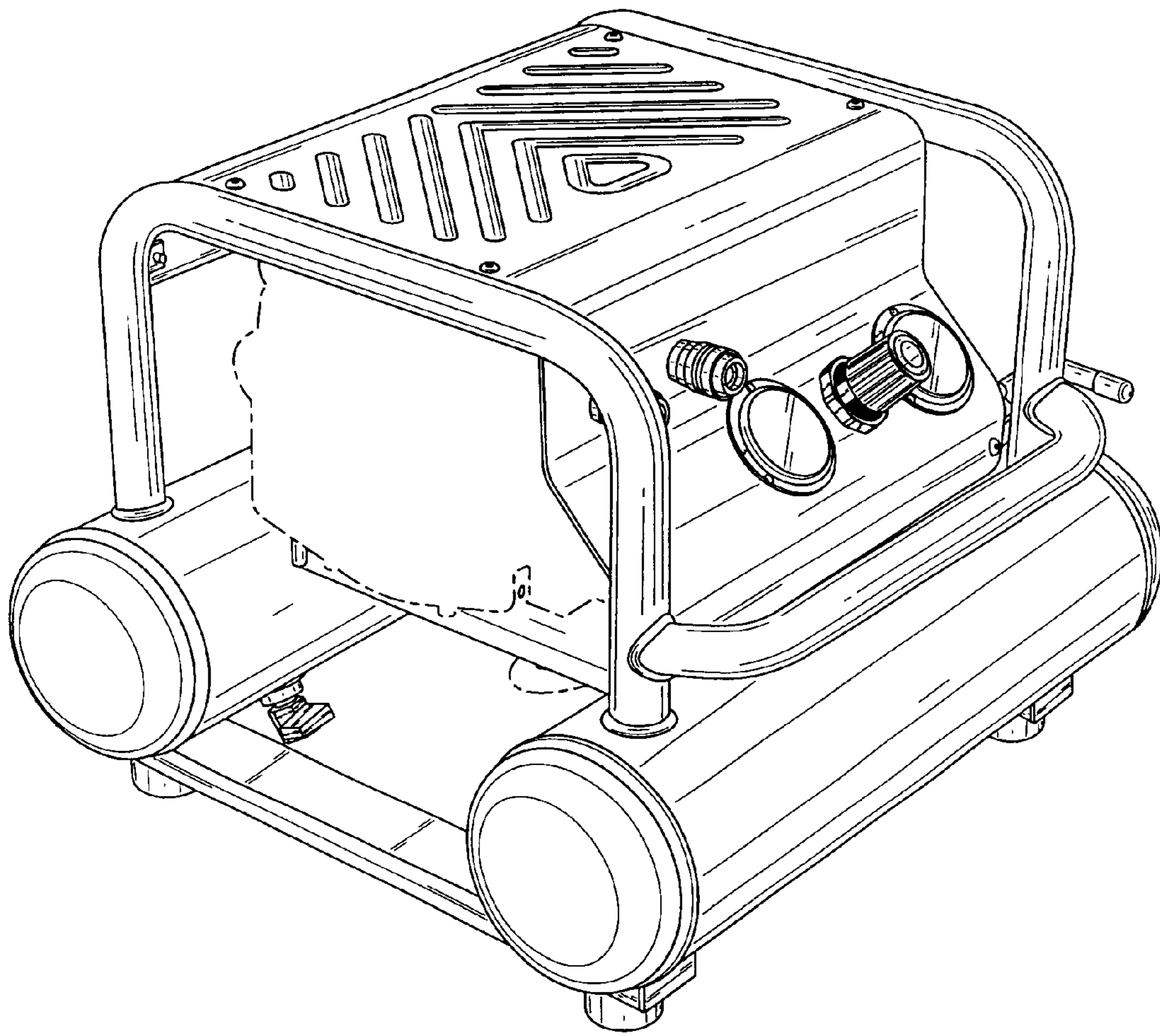


FIG. 1

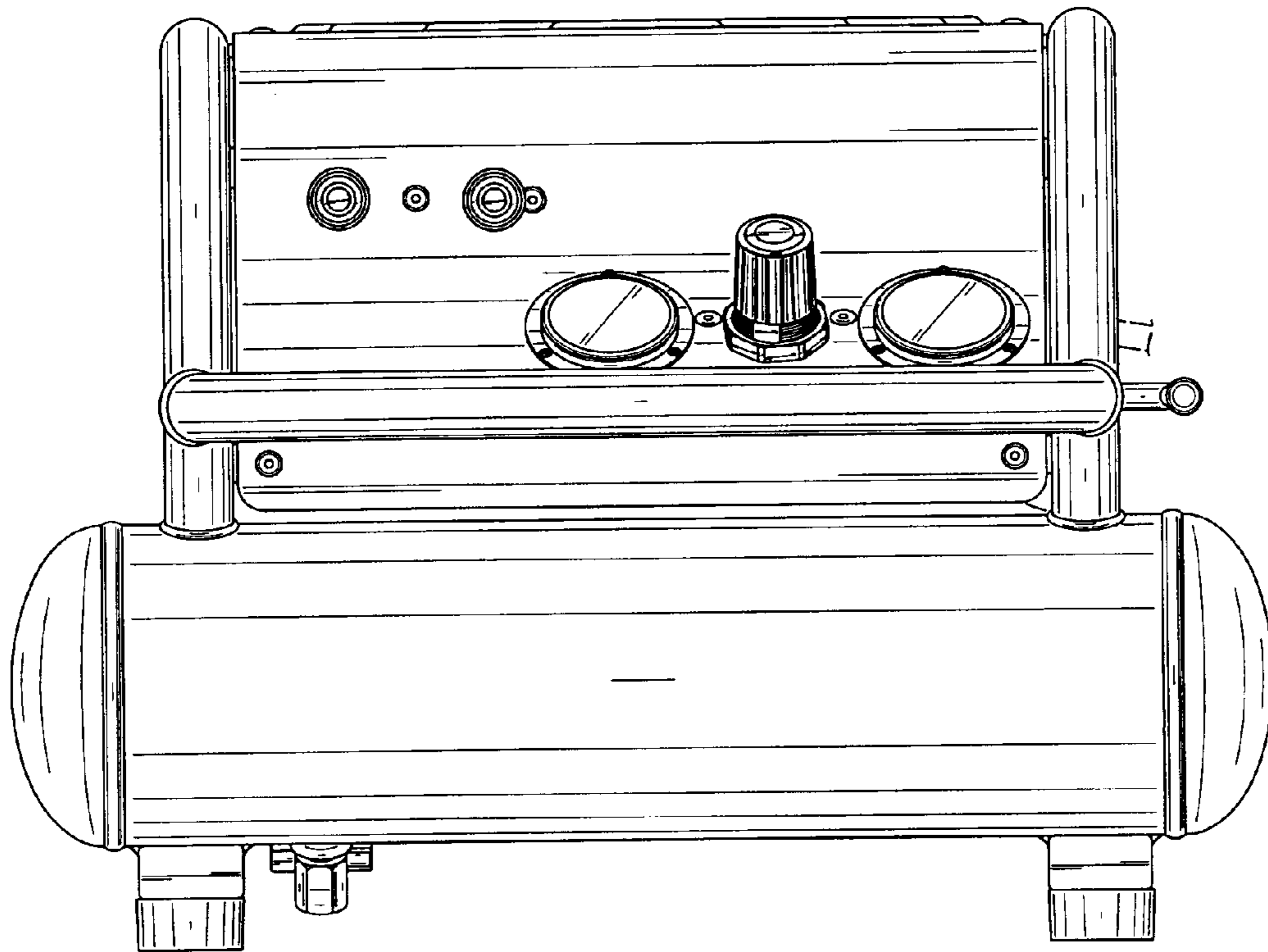


FIG. 2

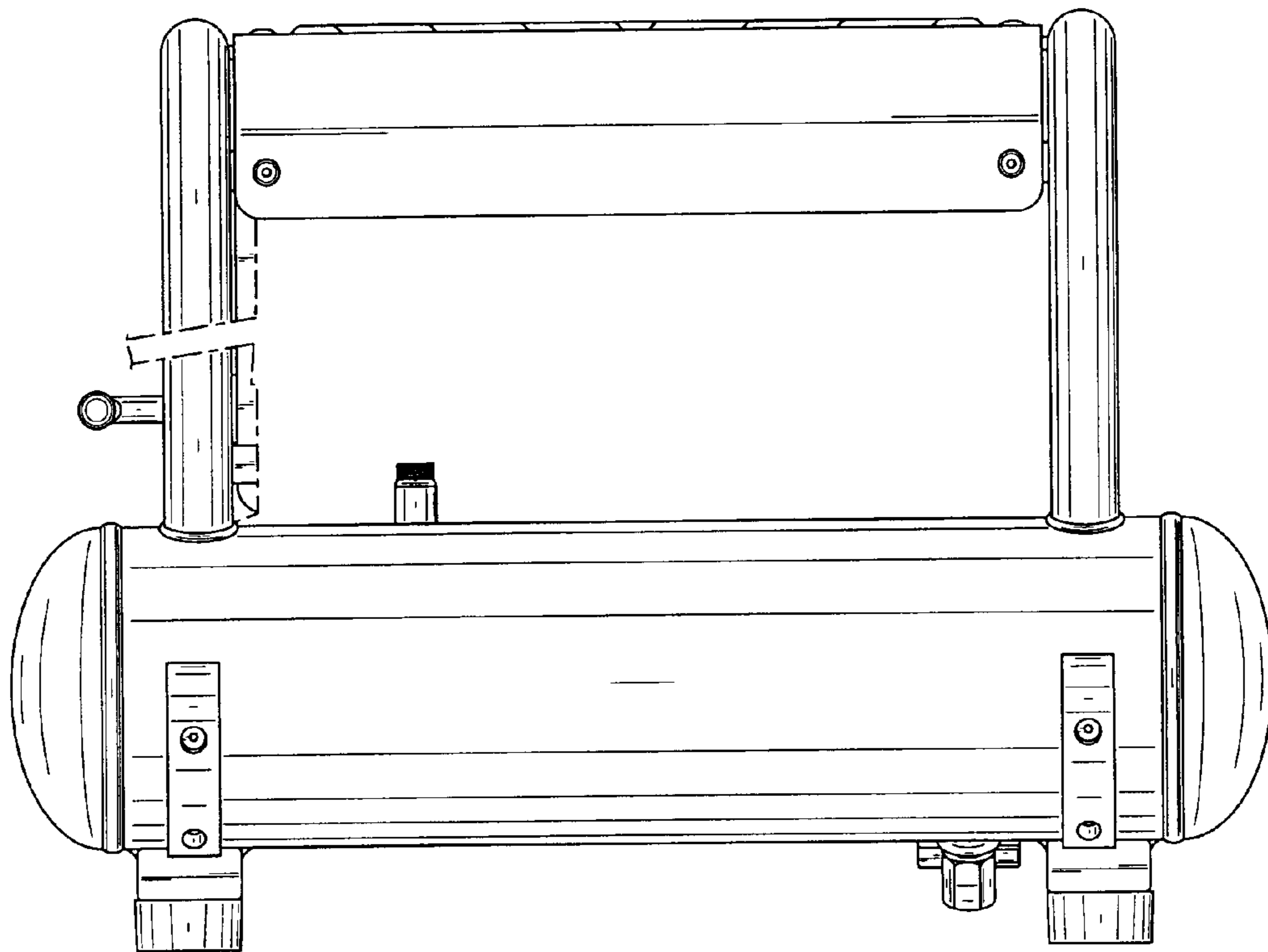


FIG. 3

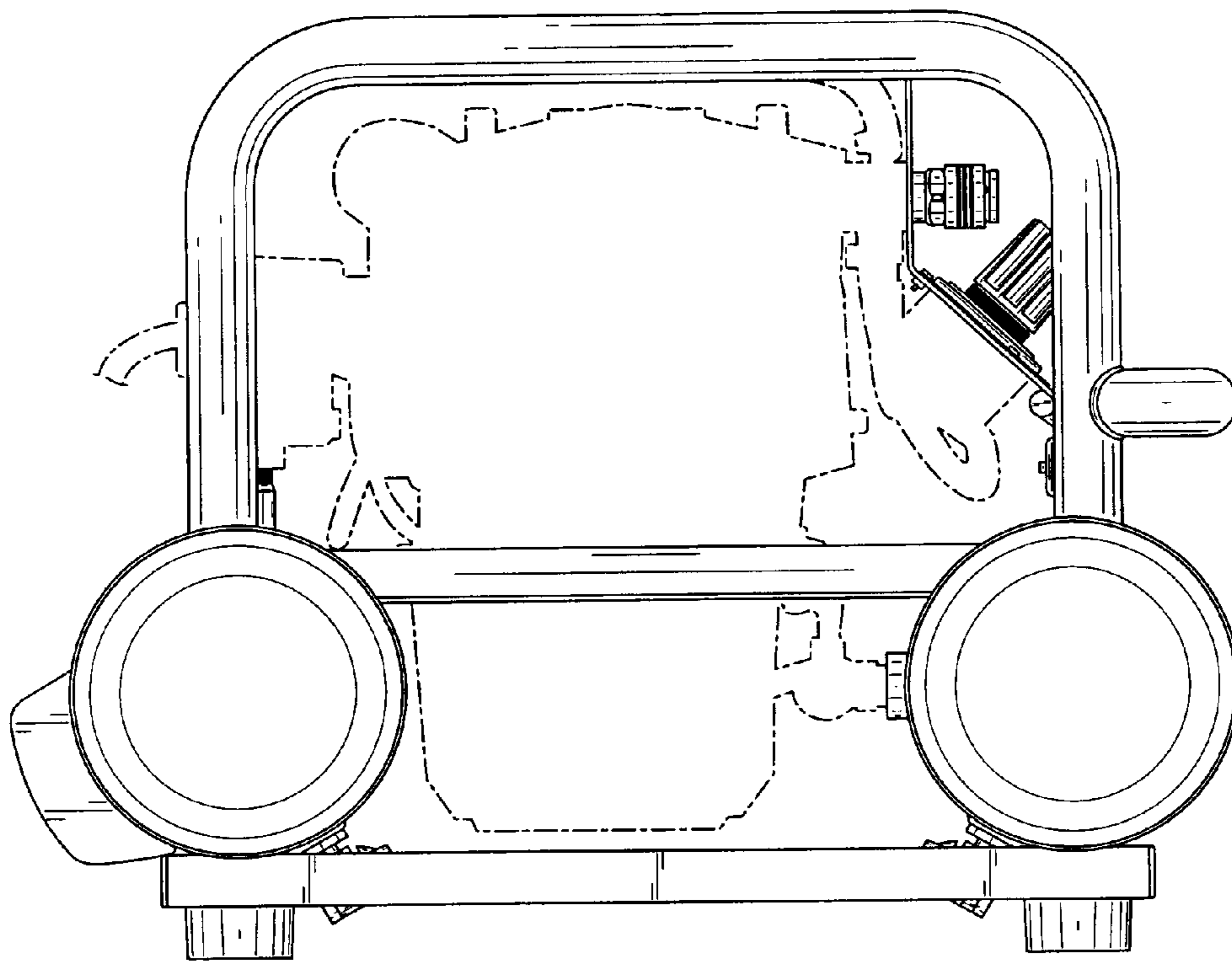


FIG. 4

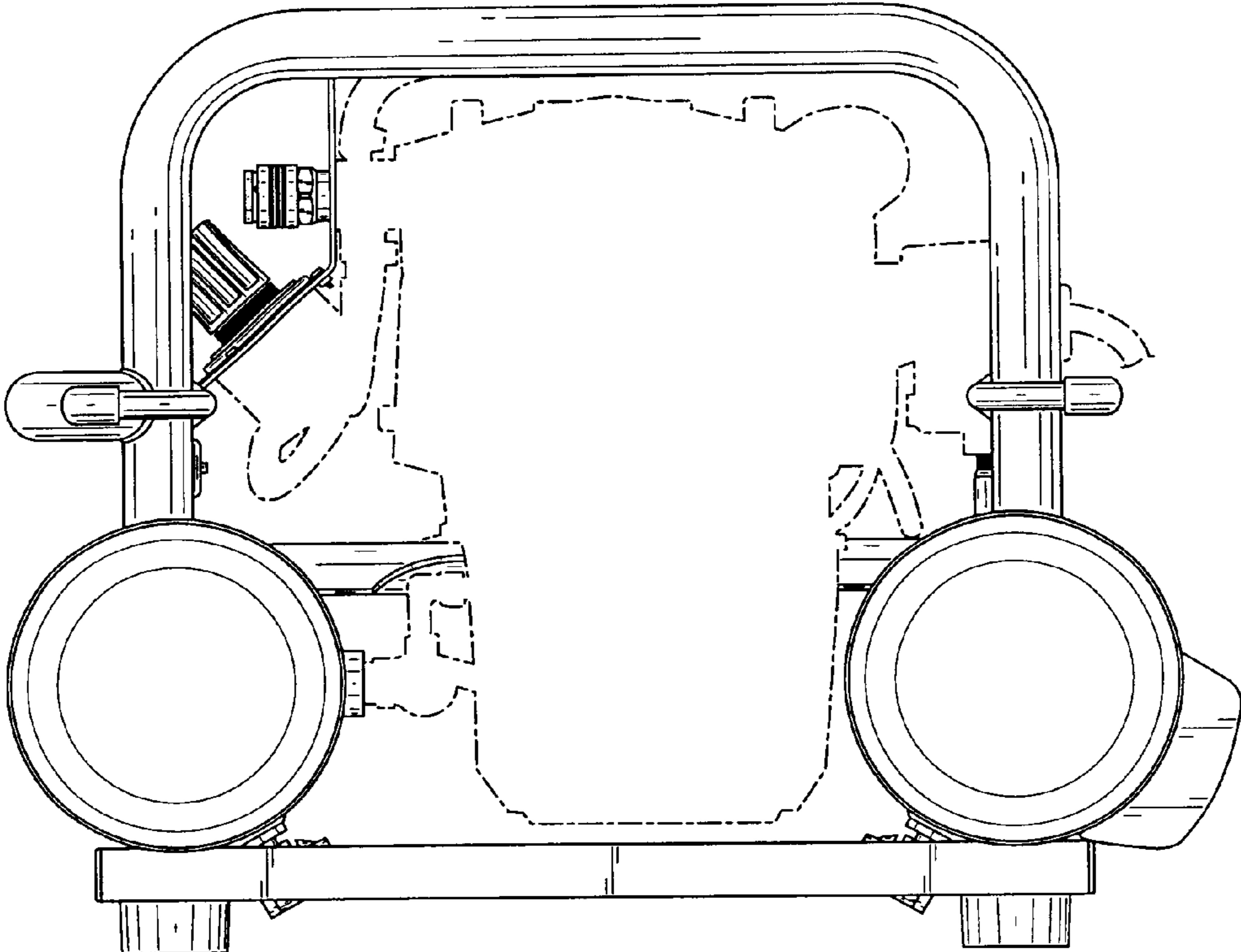


FIG. 5

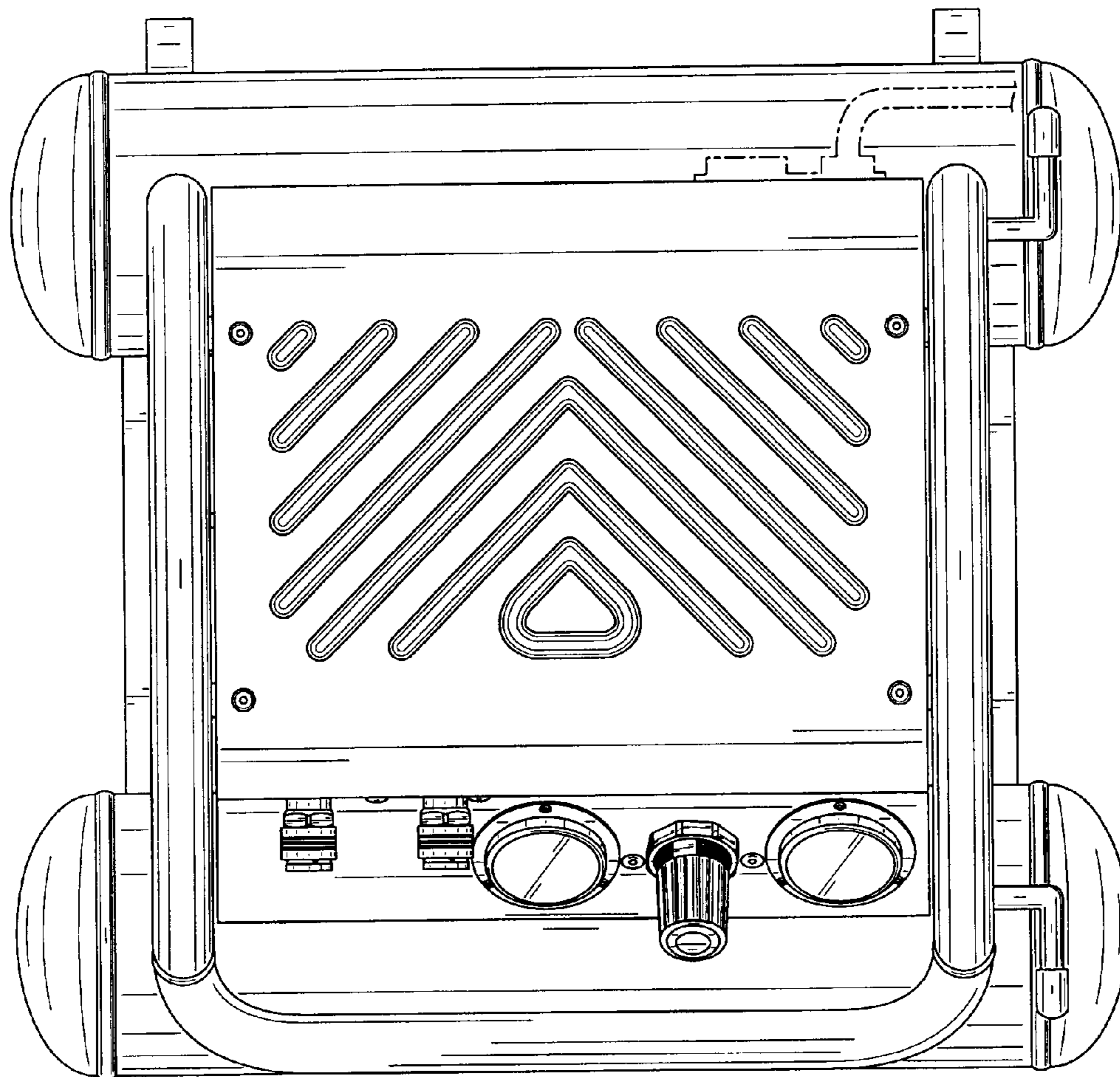


FIG. 6

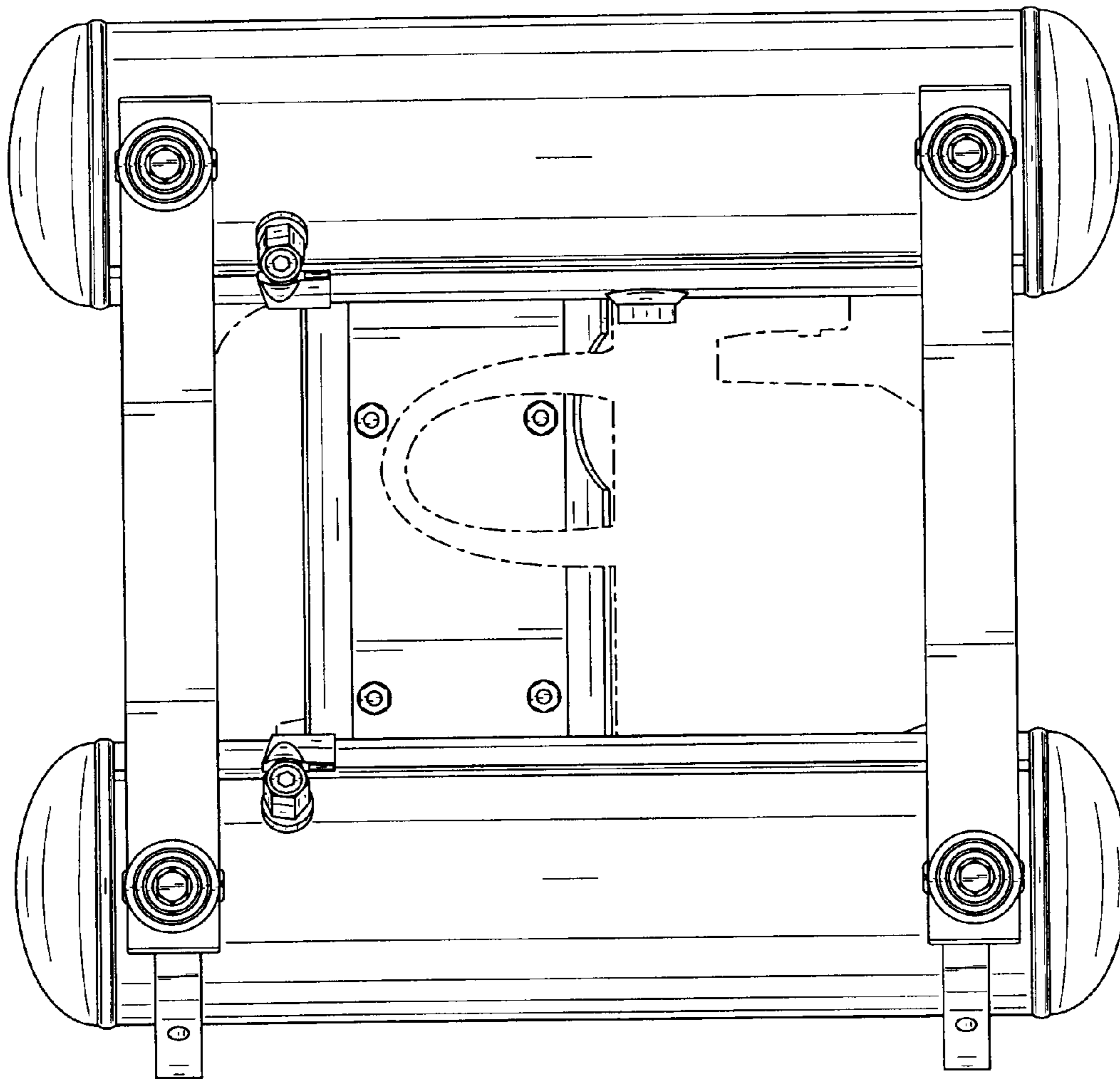


FIG. 7