



US00D529516S

(12) **United States Design Patent**
Wu

(10) **Patent No.:** **US D529,516 S**

(45) **Date of Patent:** **** Oct. 3, 2006**

(54) **AIR PUMP**

D402,997 S * 12/1998 Campbell et al. D15/7
D432,138 S * 10/2000 Scarth et al. D15/7
D520,026 S * 5/2006 Hulks D15/9

(76) Inventor: **Yong Xue Wu**, Skywise Gong Ye Qu
Xin Tain Guan Lan Town, Shenzhen
City (CN)

* cited by examiner

(**) Term: **14 Years**

Primary Examiner—Ralf Seifert

(21) Appl. No.: **29/234,150**

(57) **CLAIM**

(22) Filed: **Jul. 15, 2005**

The ornamental design for a air pump, as shown.

(51) **LOC (8) Cl.** **15-02**

(52) **U.S. Cl.** **D15/7**

(58) **Field of Classification Search** D15/7-9;
D23/232, 231; 417/359, 415-416, 410.1,
417/321, 265, 405; D10/86; D21/563
See application file for complete search history.

DESCRIPTION

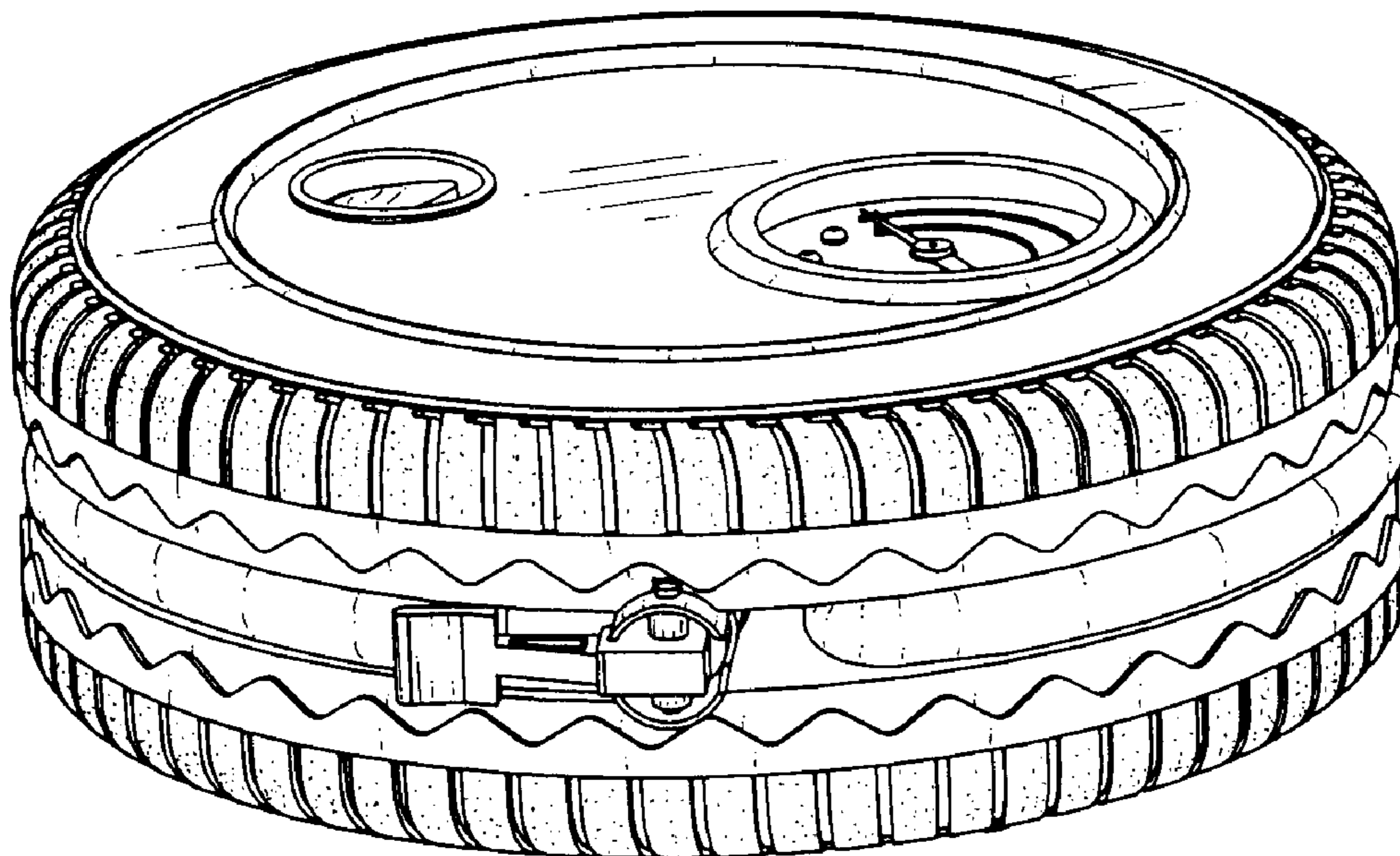
FIG. 1 is a perspective view showing my new design.
FIG. 2 is a front view thereof.
FIG. 3 is a rear view thereof.
FIG. 4 is a left end view thereof.
FIG. 5 is a right end view thereof.
FIG. 6 is a top view thereof; and,
FIG. 7 is a bottom view thereof.

(56) **References Cited**

U.S. PATENT DOCUMENTS

D328,748 S * 8/1992 Eng D15/7

1 Claim, 7 Drawing Sheets



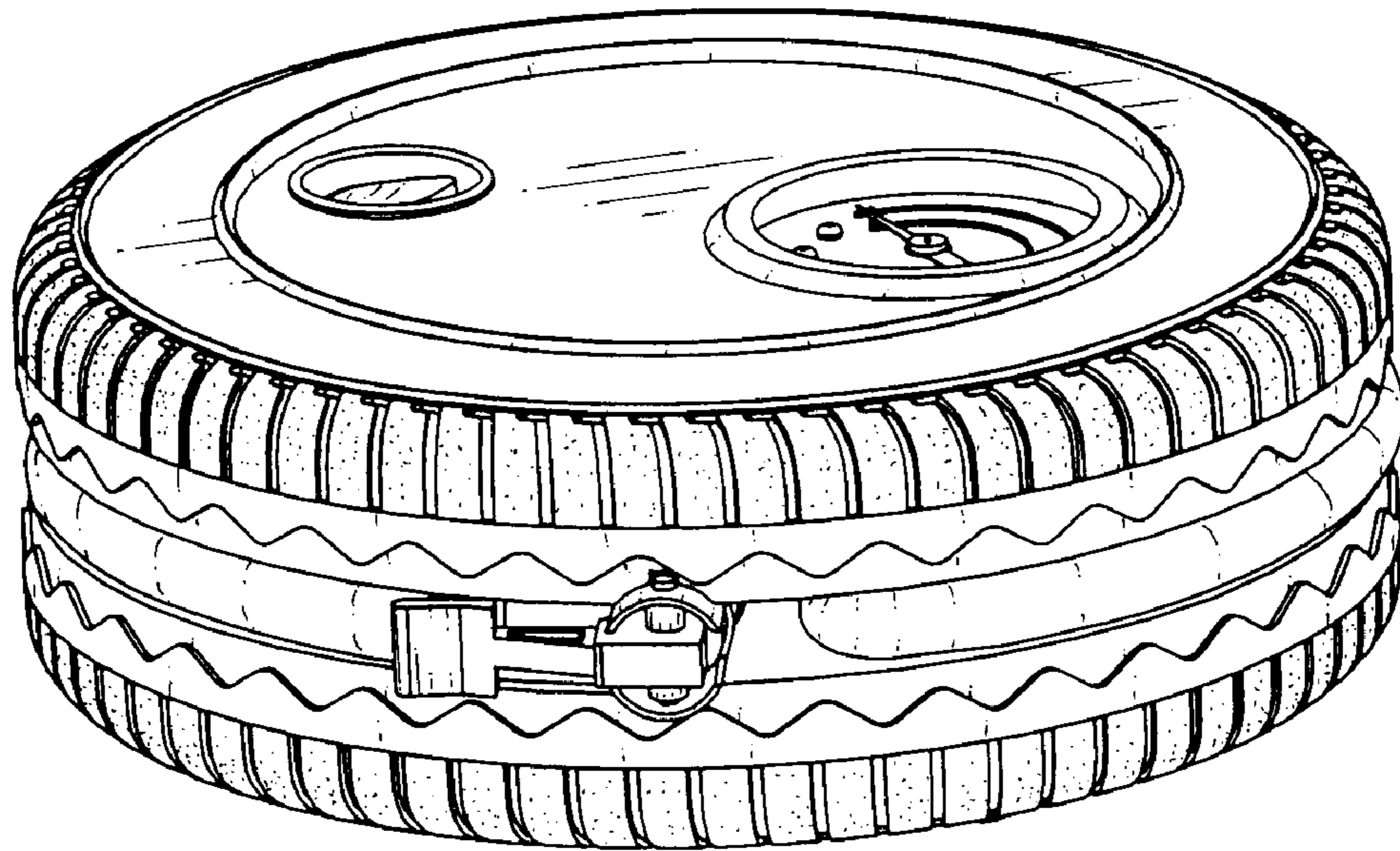


FIG. 1

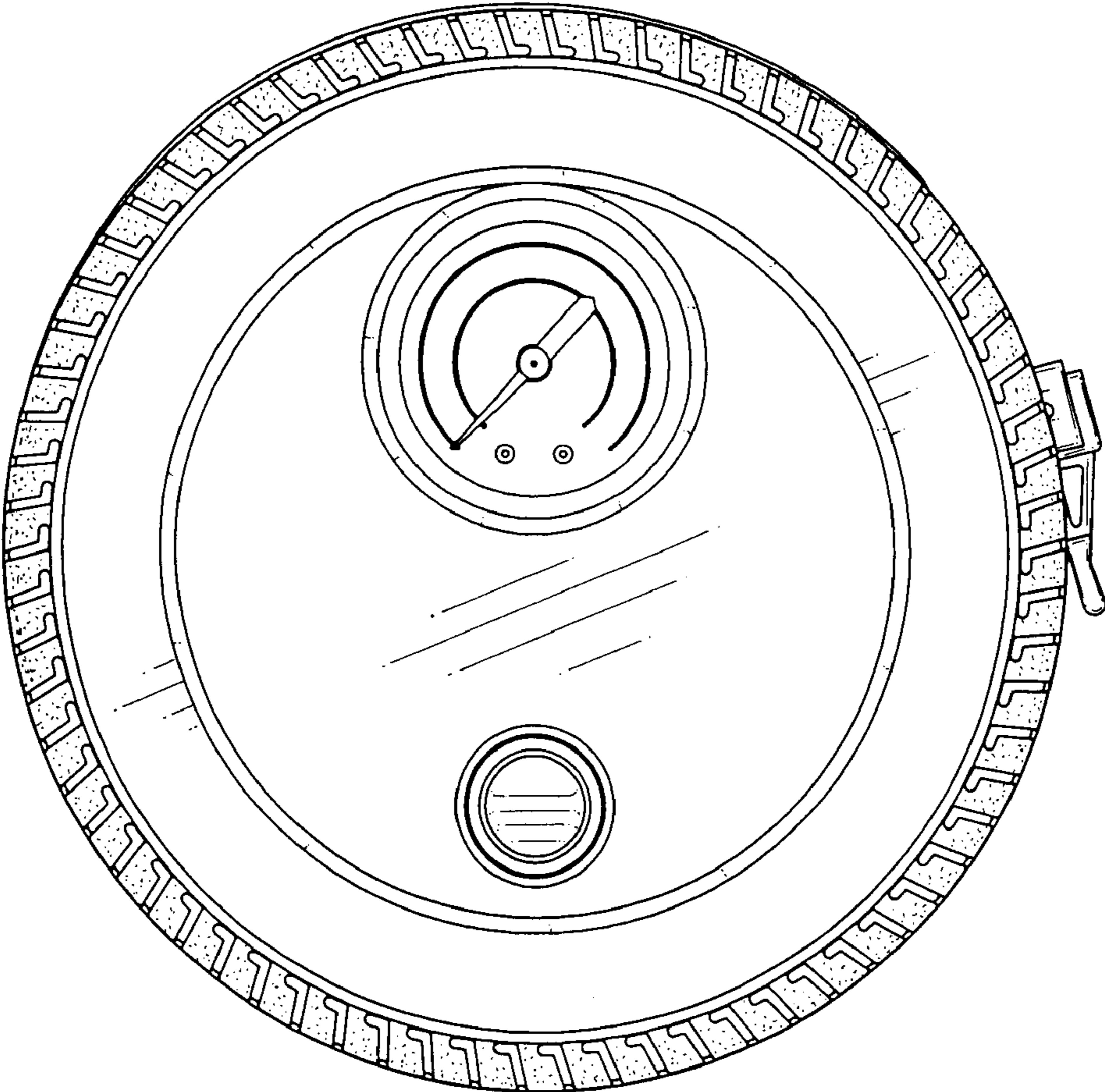


FIG.2

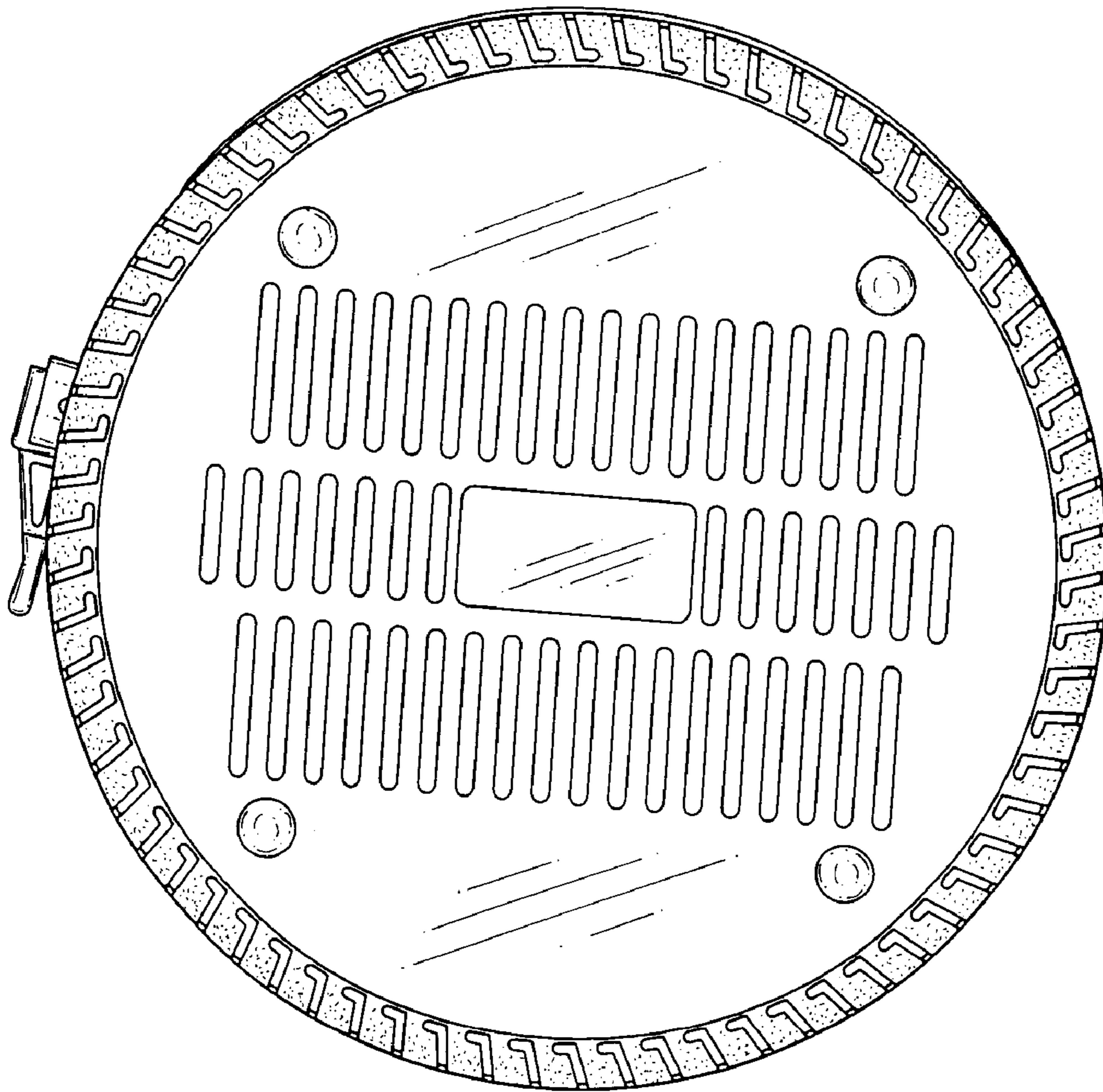


FIG.3

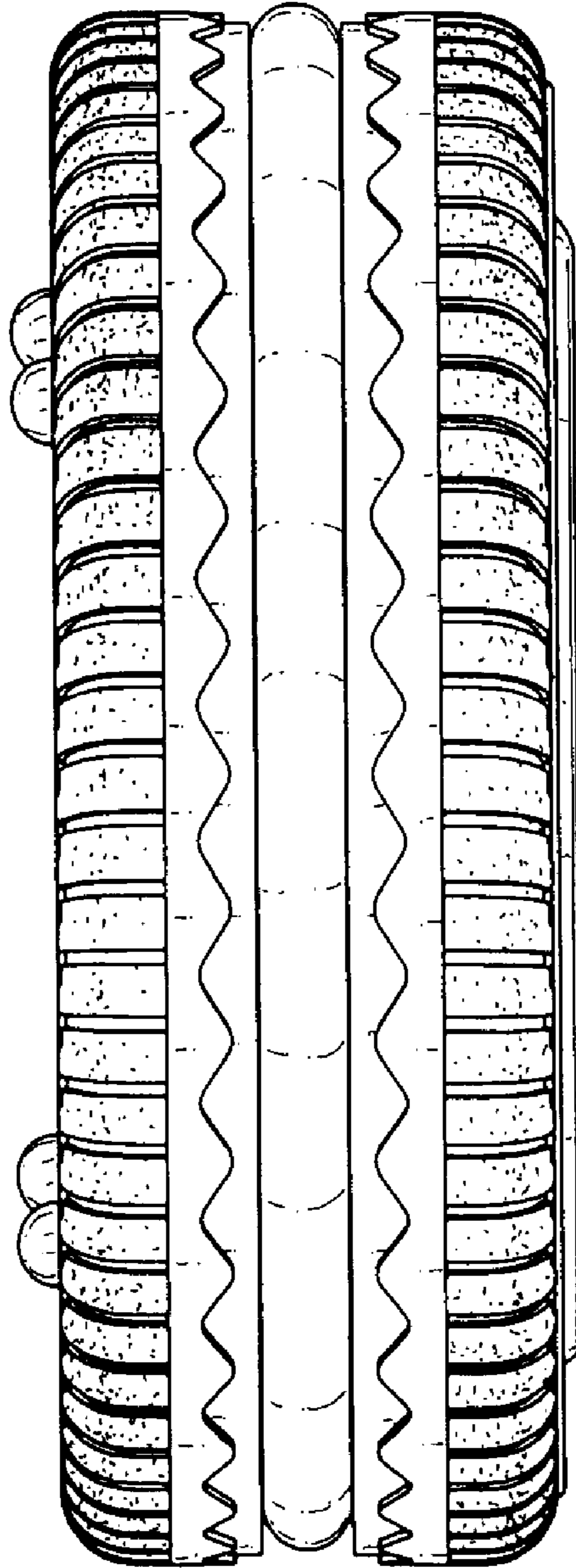


FIG.4

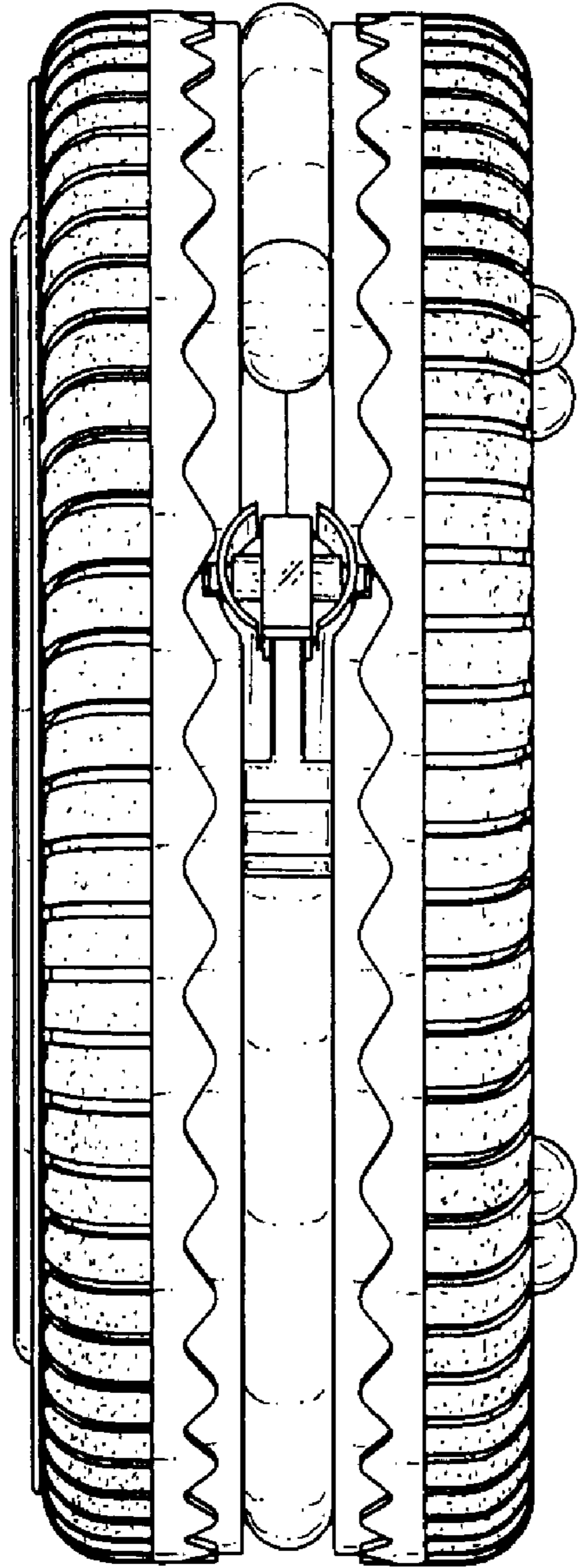


FIG. 5

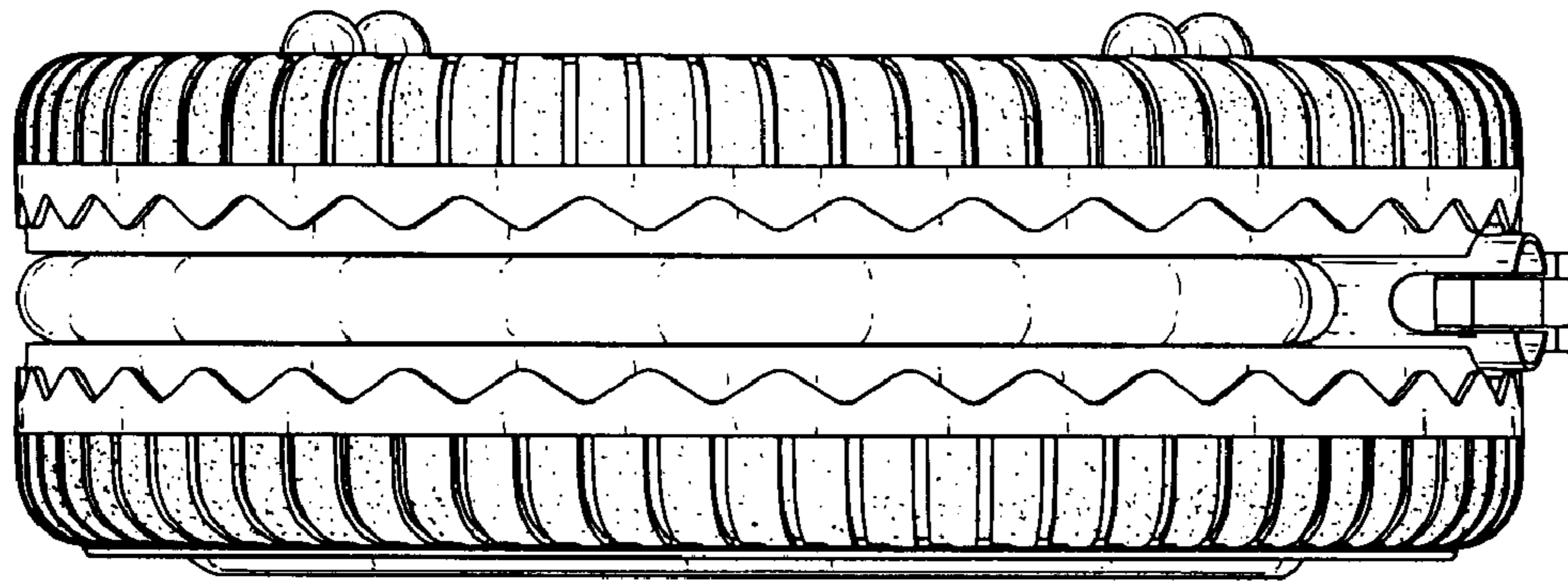


FIG.6

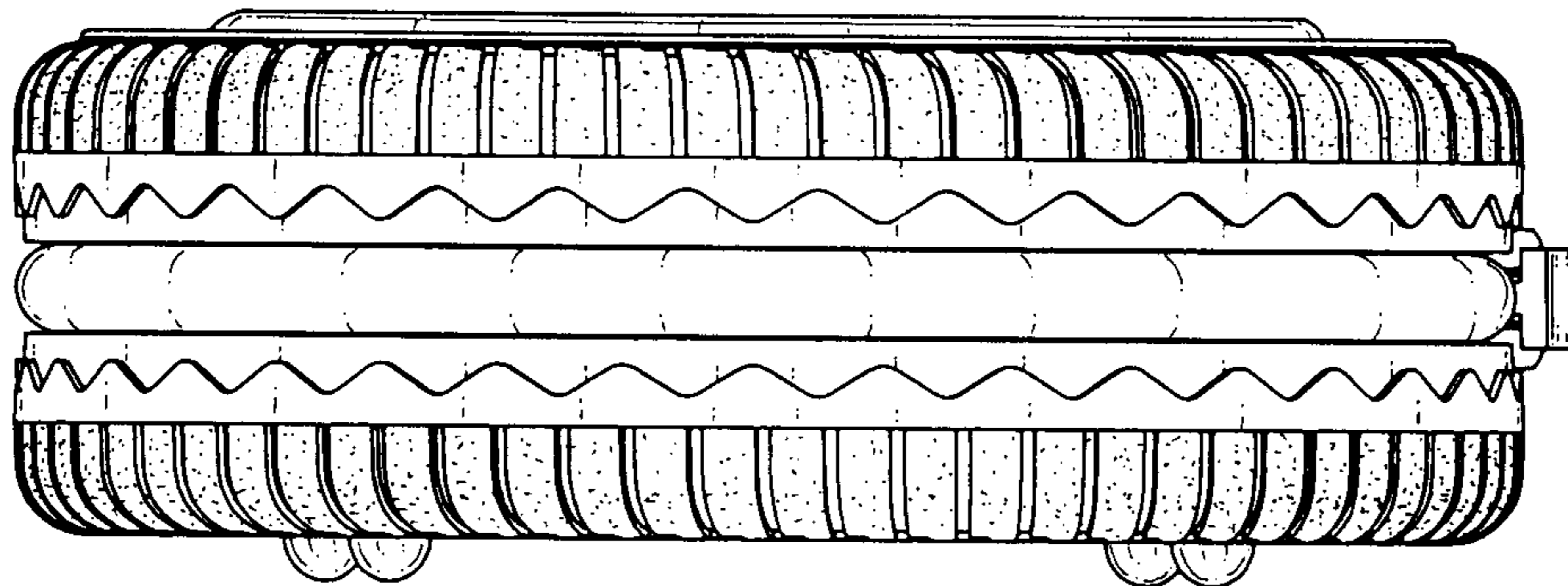


FIG.7