

US00D529515S

(12) **United States Design Patent**
DeGroot et al.

(10) **Patent No.:** **US D529,515 S**

(45) **Date of Patent:** **** Oct. 3, 2006**

(54) **PUMP ADAPTER**

(75) Inventors: **Stacy DeGroot**, Columbus, WI (US);
Neil Gansebom, Peshtigo, WI (US)

(73) Assignee: **Briggs & Stratton Power Products Group, LLC**, Jefferson, WI (US)

(**) Term: **14 Years**

(21) Appl. No.: **29/216,764**

(22) Filed: **Nov. 9, 2004**

(51) **LOC (8) Cl.** **15-02**

(52) **U.S. Cl.** **D15/7**

(58) **Field of Classification Search** D15/7-9;
D23/232, 231; 417/359, 415-416, 410.1,
417/321, 265, 405

See application file for complete search history.

(56) **References Cited**

U.S. PATENT DOCUMENTS

D270,718 S	*	9/1983	Cain	D10/94
D342,263 S	*	12/1993	Harrell, Jr.	D15/7
D375,315 S	*	11/1996	Paul-Johansson	D15/7
D432,547 S	*	10/2000	Maddox et al.	D15/7
6,680,001 B1		1/2004	Krueger		

OTHER PUBLICATIONS

Drawing dated Jul. 20, 1999 by Generac Portable Products depicting round hose connector.

* cited by examiner

Primary Examiner—Ralf Seifert

(74) *Attorney, Agent, or Firm*—Michael Best & Friedrich, LLP

(57) **CLAIM**

We claim the ornamental design for a pump adapter, as shown and described in FIGS. 1-7.

DESCRIPTION

FIG. 1 is a perspective view of a pump adapter according to one embodiment of the invention.

FIG. 2 is a front view of the pump adapter shown in FIG. 1.

FIG. 3 is a rear view of the pump adapter shown in FIG. 1.

FIG. 4 is a top view of the pump adapter shown in FIG. 1.

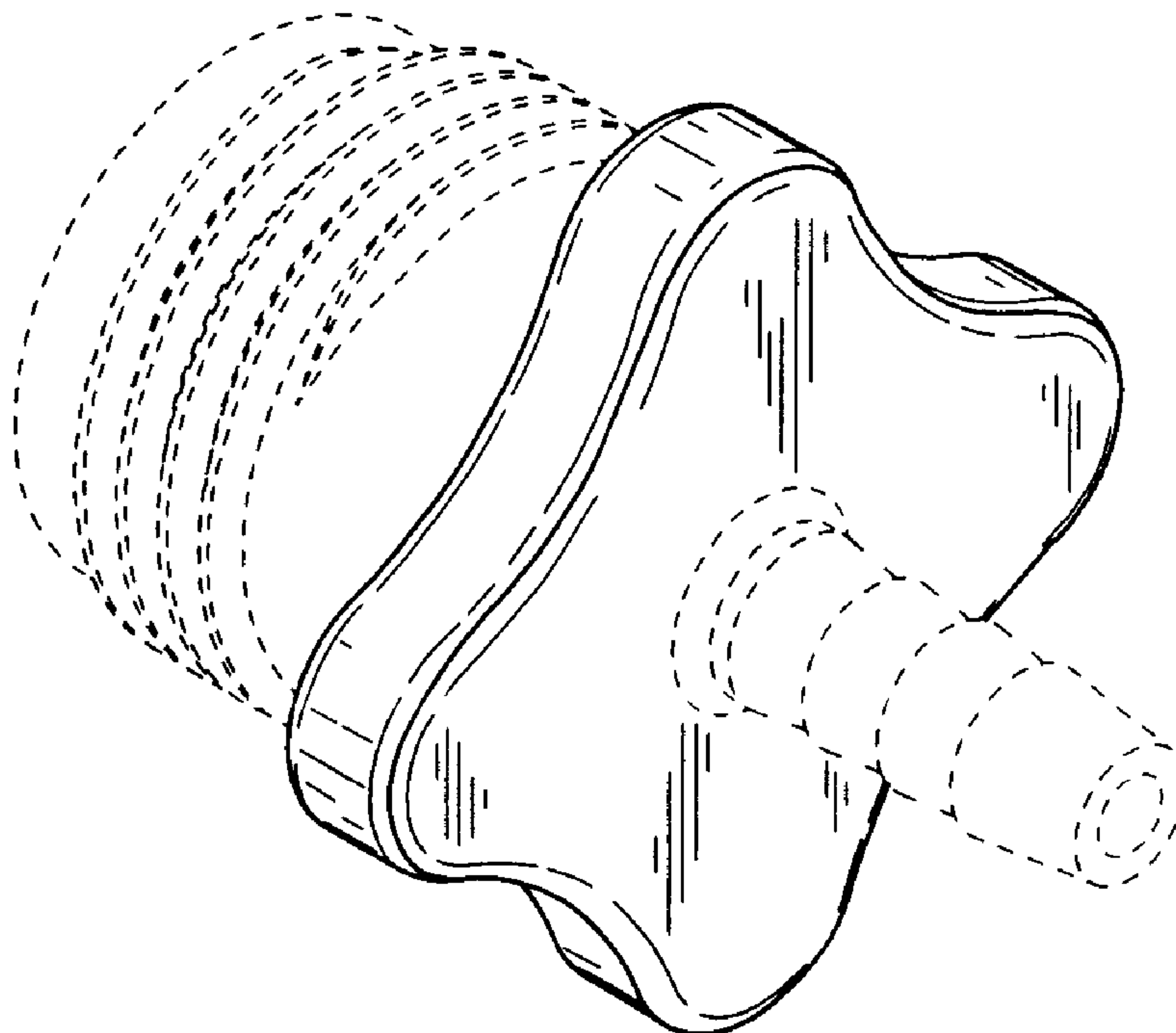
FIG. 5 is a bottom view of the pump adapter shown in FIG. 1.

FIG. 6 is a first side view of the pump adapter shown in FIG. 1; and,

FIG. 7 is an opposite side view of the pump adapter shown in FIG. 1.

The broken line showing of the environment is for illustrative purposes only and forms no part of the claimed design.

1 Claim, 4 Drawing Sheets



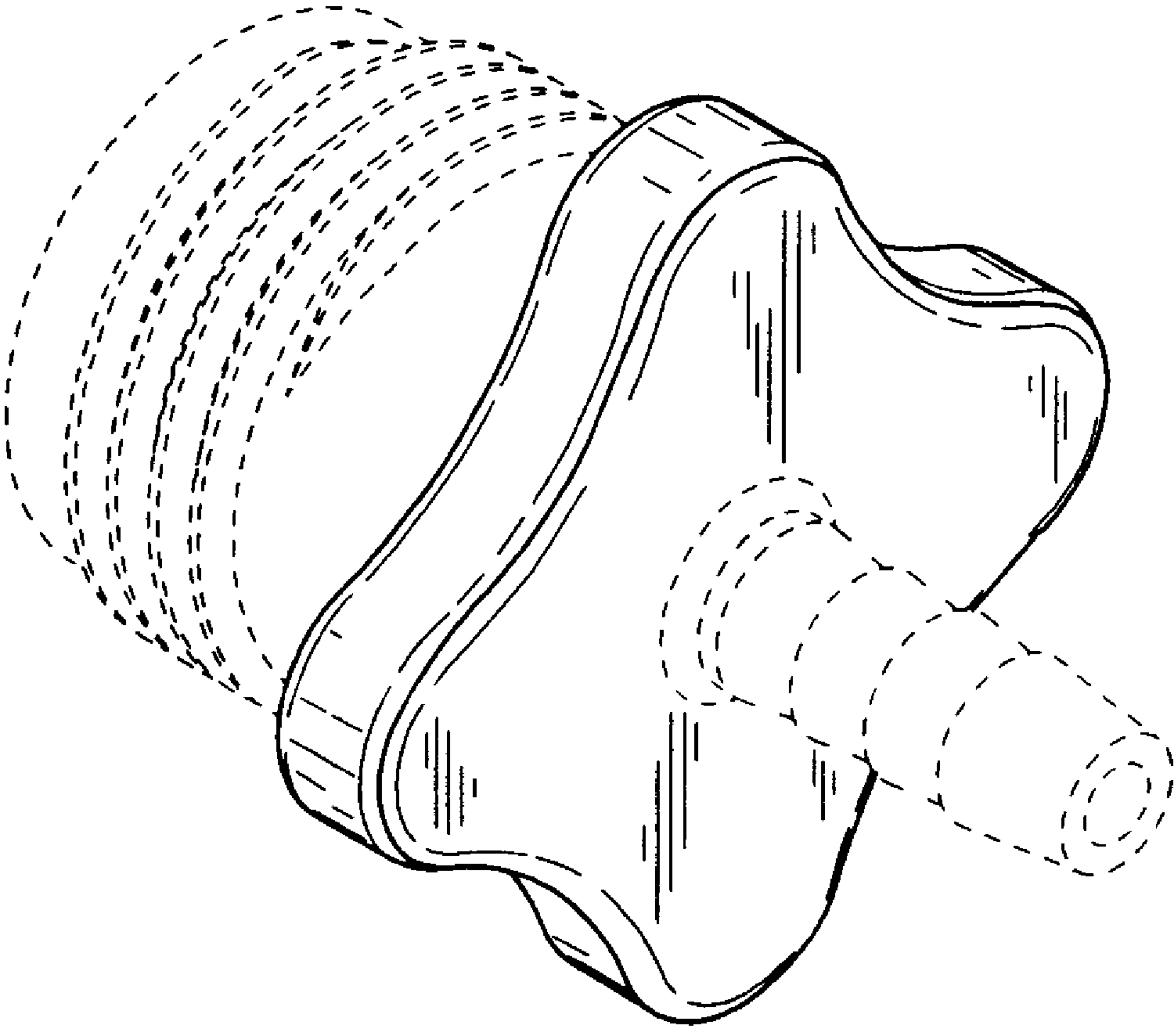


FIG. 1

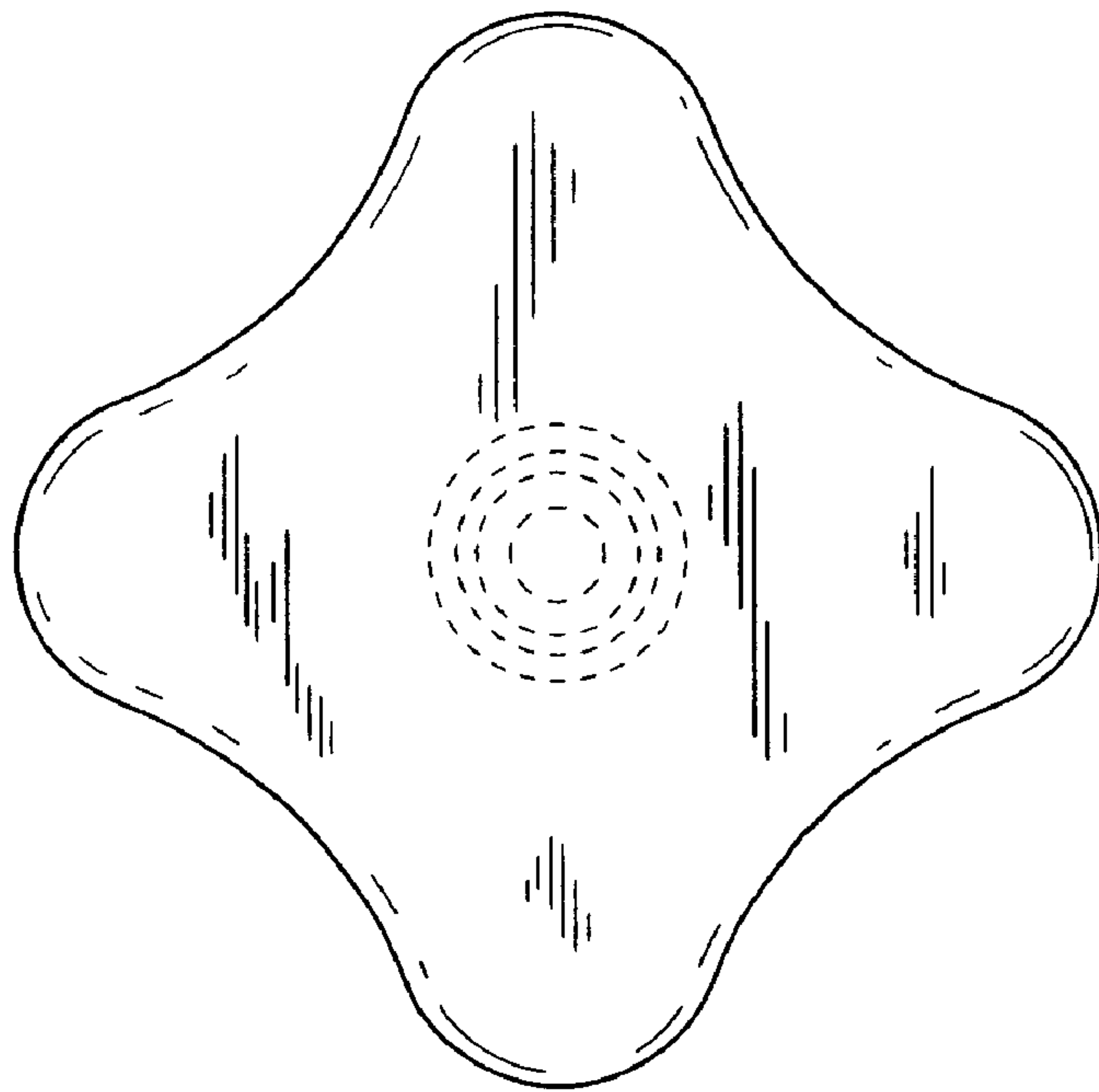


FIG. 2

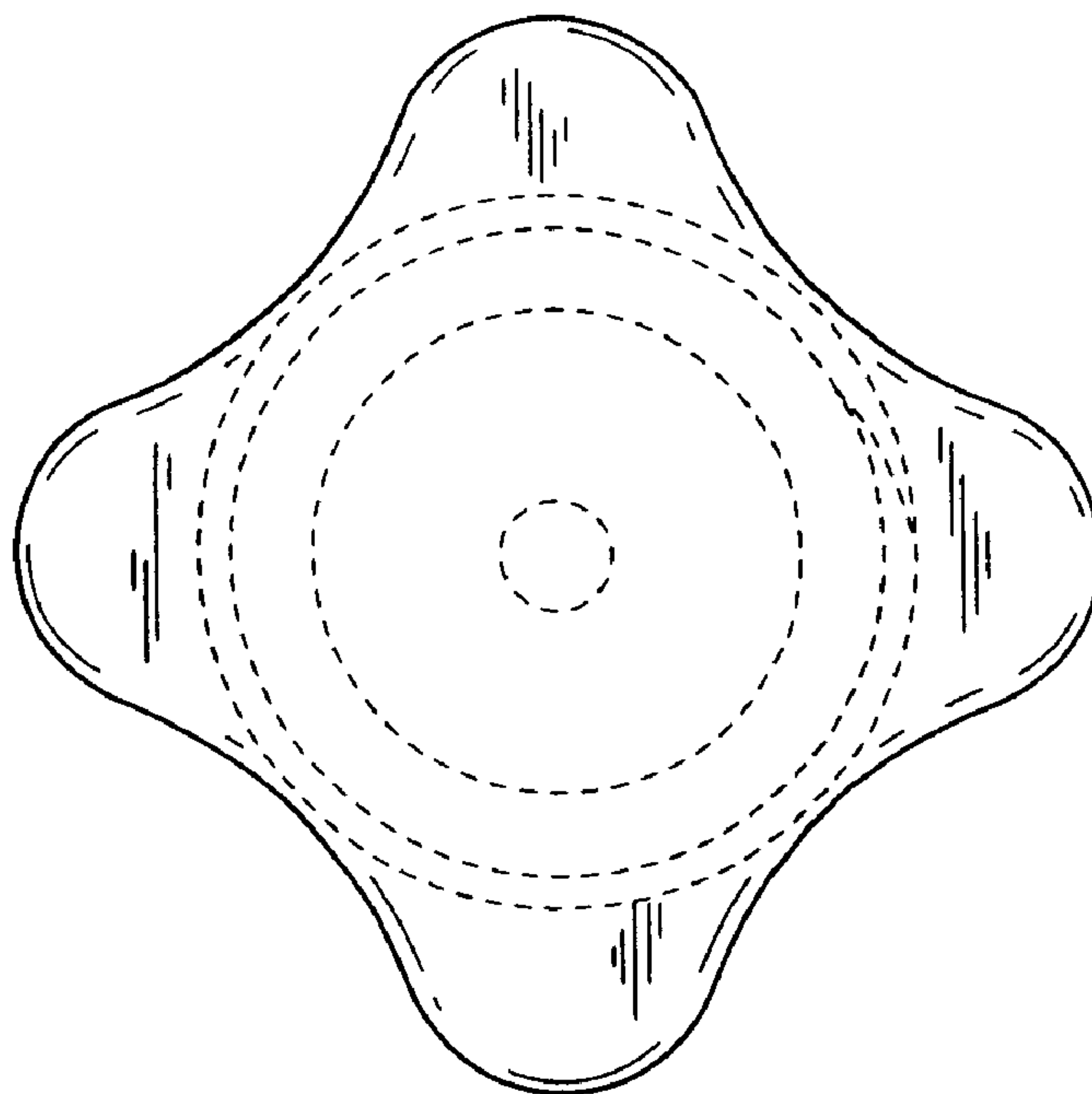


FIG. 3

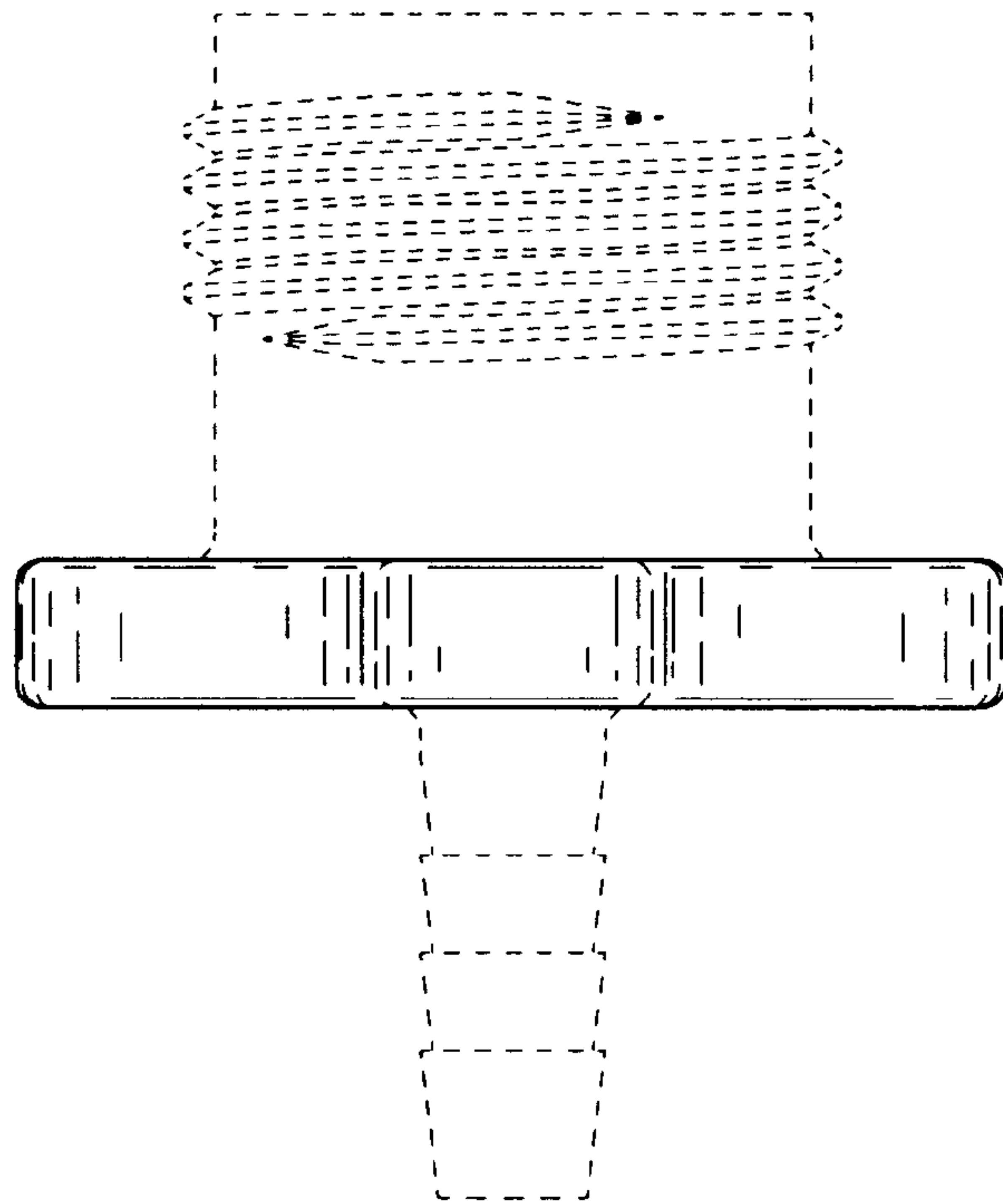


FIG. 4

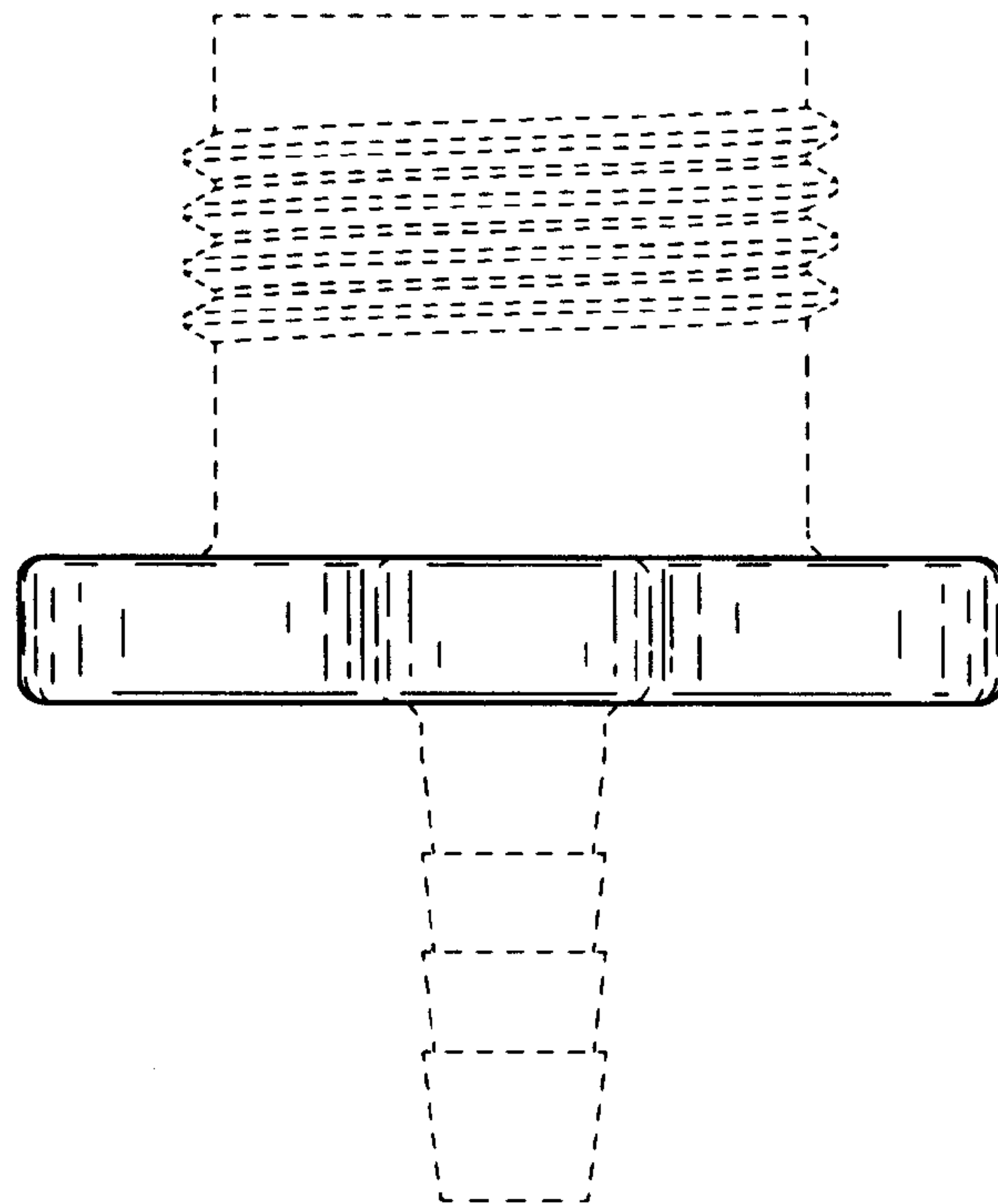


FIG. 5

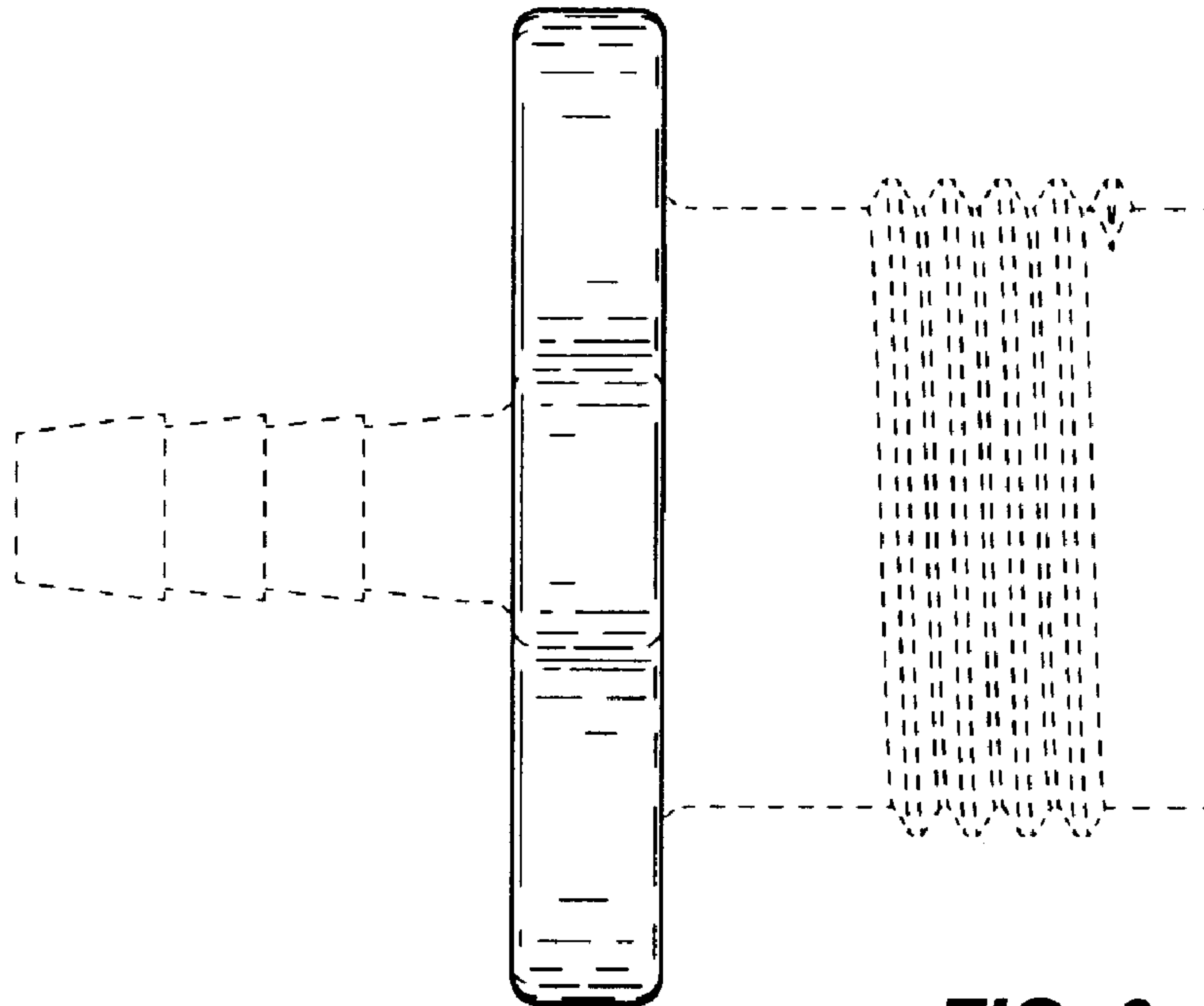


FIG. 6

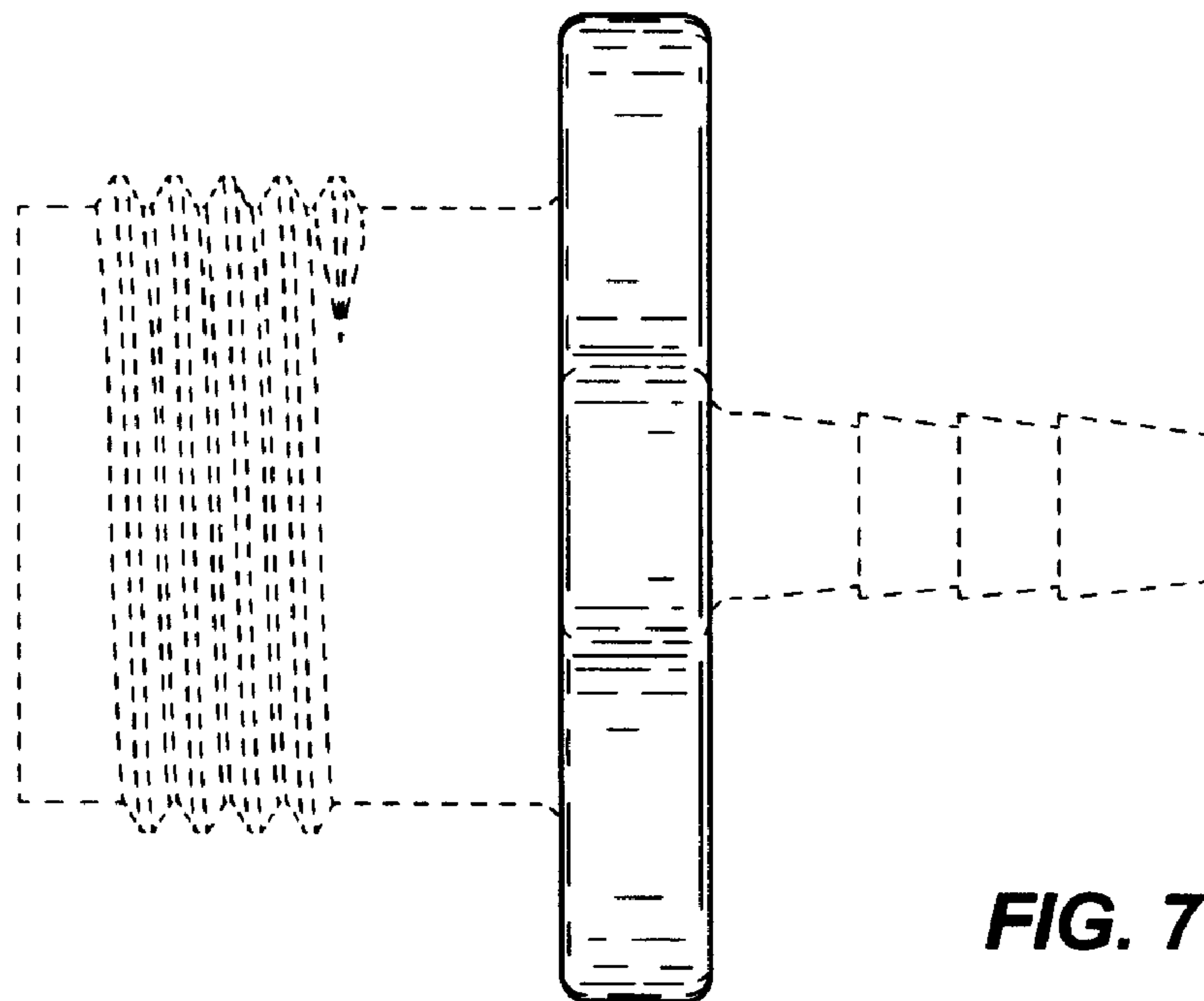


FIG. 7