

US00D529514S

(12) **United States Design Patent**
Maeda et al.

(10) **Patent No.:** **US D529,514 S**
(45) **Date of Patent:** **** Oct. 3, 2006**

(54) **AIR CLEANER FOR AN INTERNAL-COMBUSTION ENGINE**

JP 632944 9/1984
JP 632935 12/1986

(75) Inventors: **Joji Maeda**, Wako (JP); **Masayuki Osumi**, Wako (JP)

OTHER PUBLICATIONS

“Design Engineering”, published Jan. 31, 1991, Morgan-Grampian Ltd., p. 55 (Notification of Refusal Reasons).

(73) Assignee: **Honda Motor Co., Ltd.**, Tokyo (JP)

* cited by examiner

(**) Term: **14 Years**

Primary Examiner—Robin Webster

(21) Appl. No.: **29/227,657**

(74) *Attorney, Agent, or Firm*—Westerman, Hattori, Daniels & Adrian, LLP

(22) Filed: **Apr. 14, 2005**

(30) **Foreign Application Priority Data**

(57) **CLAIM**

Oct. 15, 2004 (JP) 2004-031407

What is claimed is; the ornamental design for, an air cleaner for an internal-combustion engine, as shown and described.

(51) **LOC (8) Cl.** **15-01**

DESCRIPTION

(52) **U.S. Cl.** **D15/5; D23/364**

(58) **Field of Classification Search** D23/355, D23/364, 365; D15/5, 17; 55/385.3
See application file for complete search history.

FIG. 1 is a front elevation view of an air cleaner for an internal-combustion engine, showing our new design; FIG. 2 is a rear elevation view thereof; FIG. 3 is a top plan view thereof; FIG. 4 is a bottom plan view thereof; FIG. 5 is a right side elevation view thereof; FIG. 6 is a left side elevation view thereof; FIG. 7 is a perspective view thereof; and, FIG. 8 is another perspective view thereof.

(56) **References Cited**

U.S. PATENT DOCUMENTS

D397,342 S * 8/1998 Shimizu D15/5
5,900,032 A * 5/1999 Wang 55/385.3
6,723,148 B1 * 4/2004 Stass 55/385.3

FOREIGN PATENT DOCUMENTS

CN 03351973.0 12/2003

1 Claim, 5 Drawing Sheets

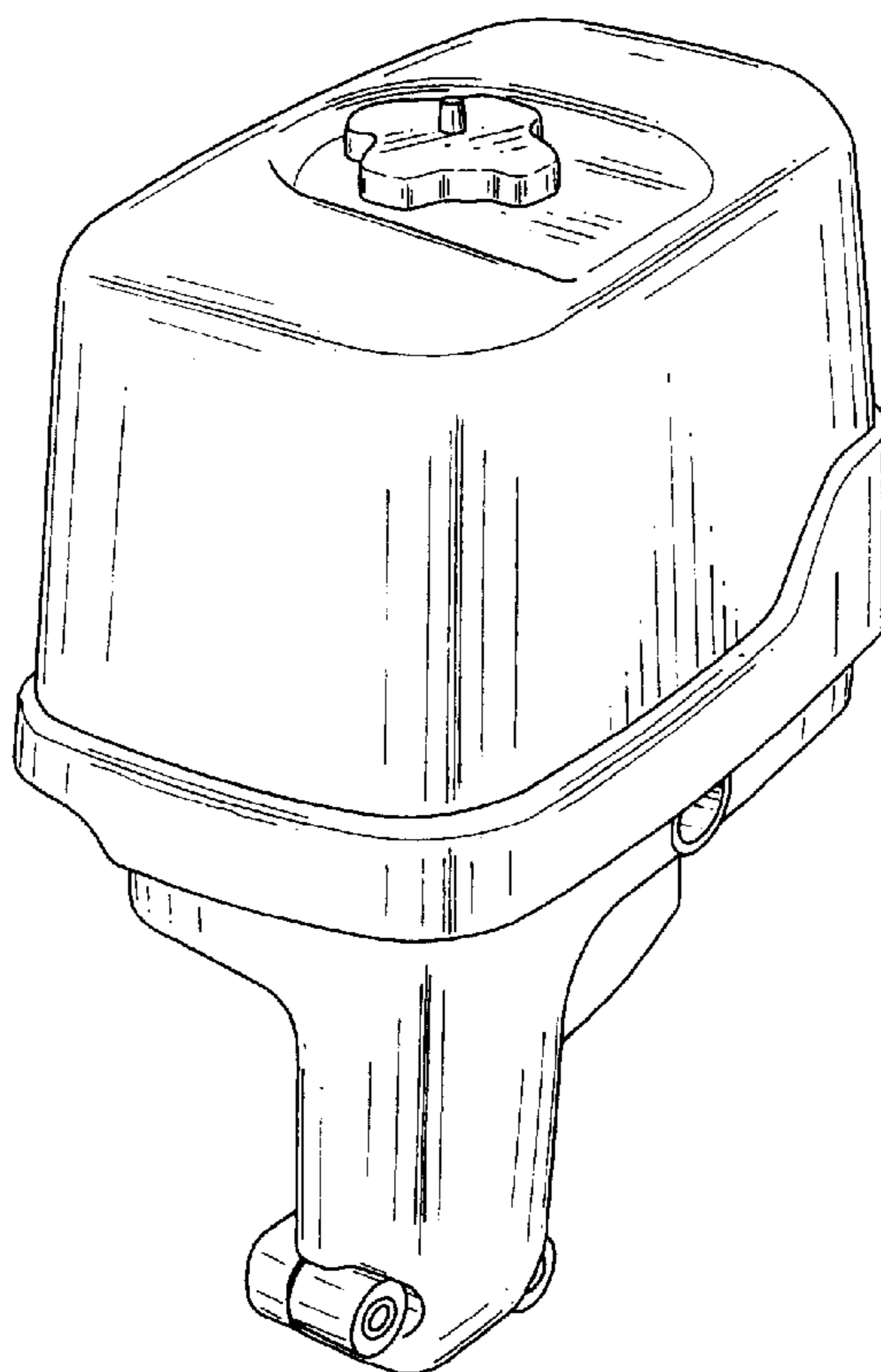


FIG. 1

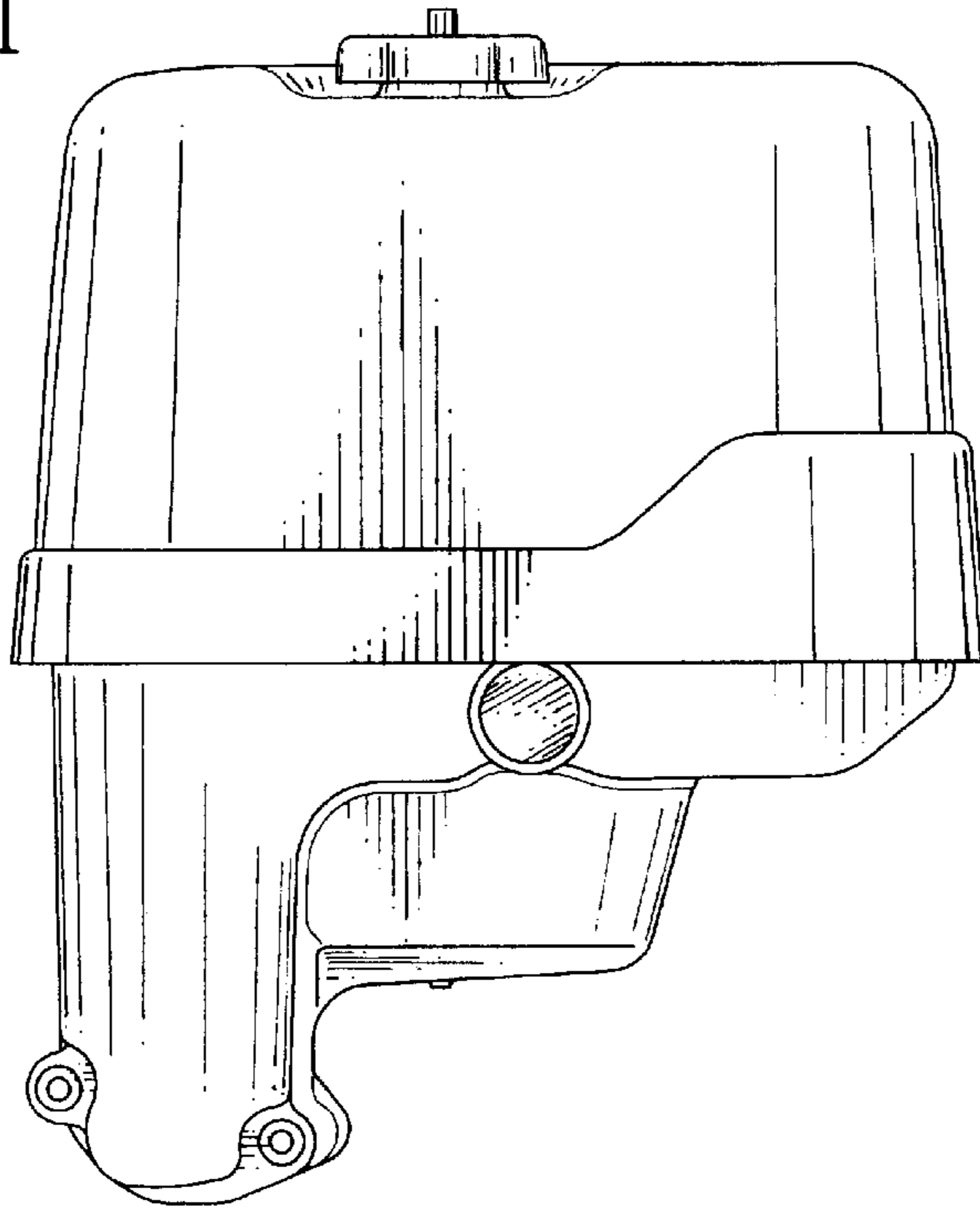
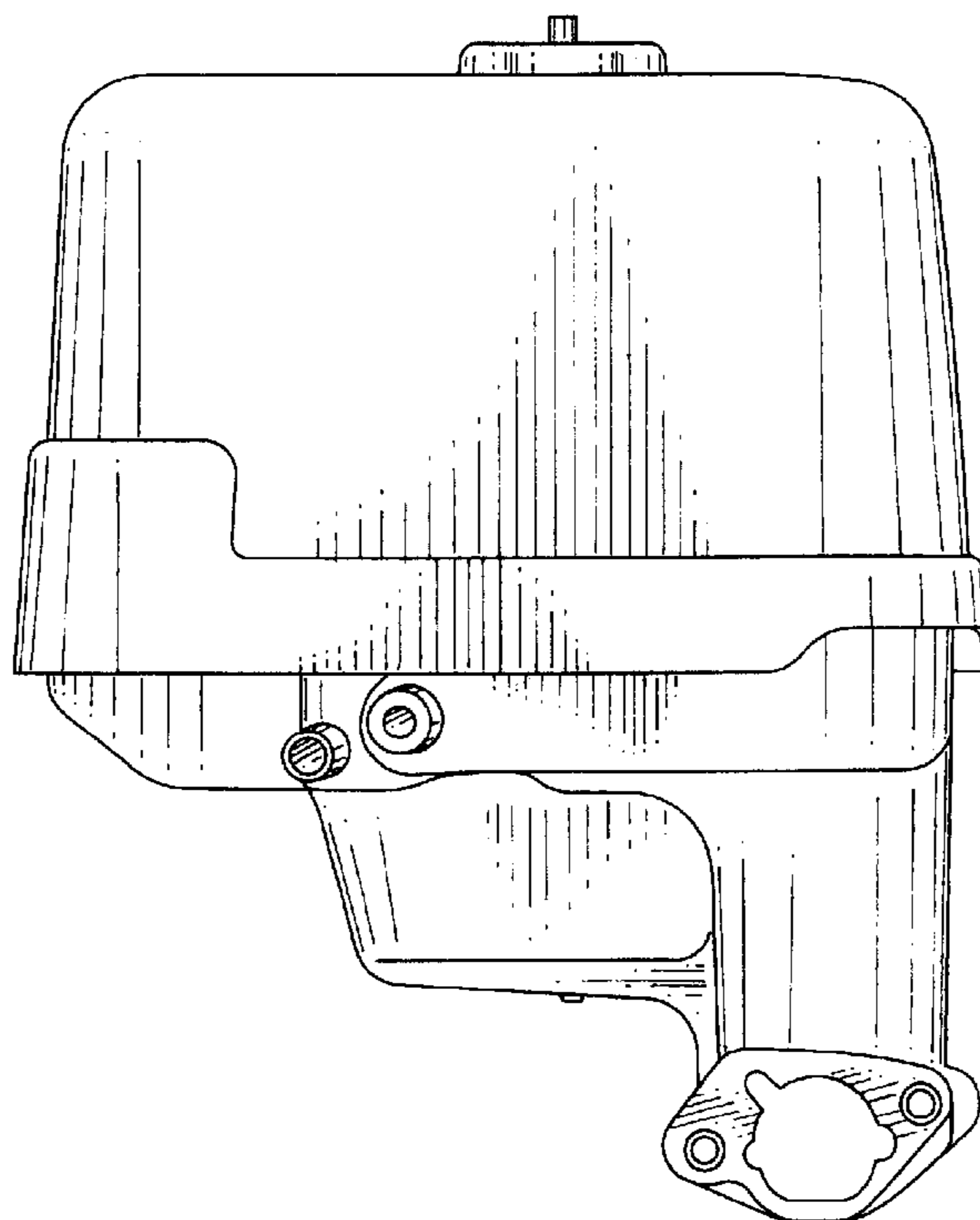
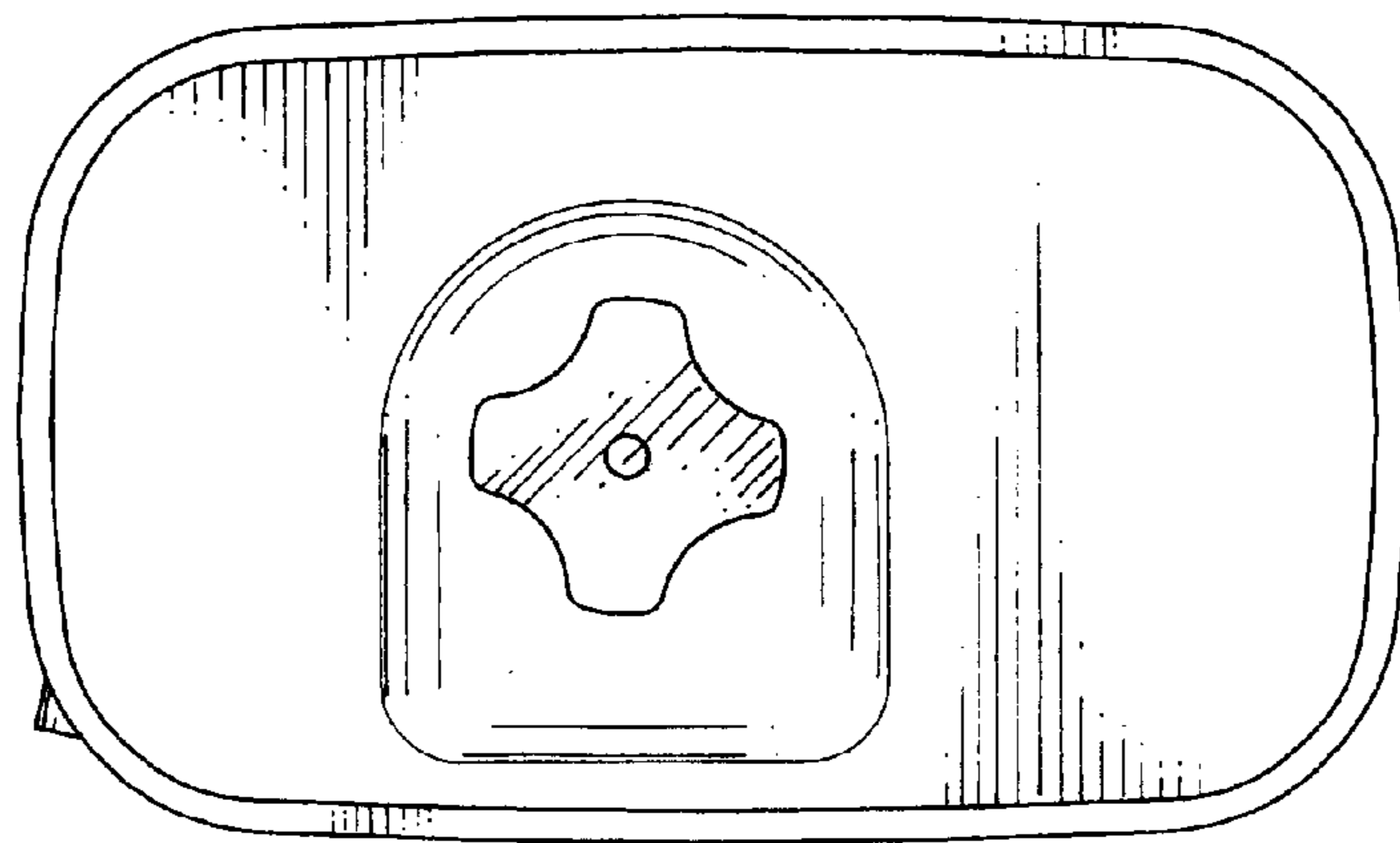


FIG. 2



F I G. 3



F I G. 4

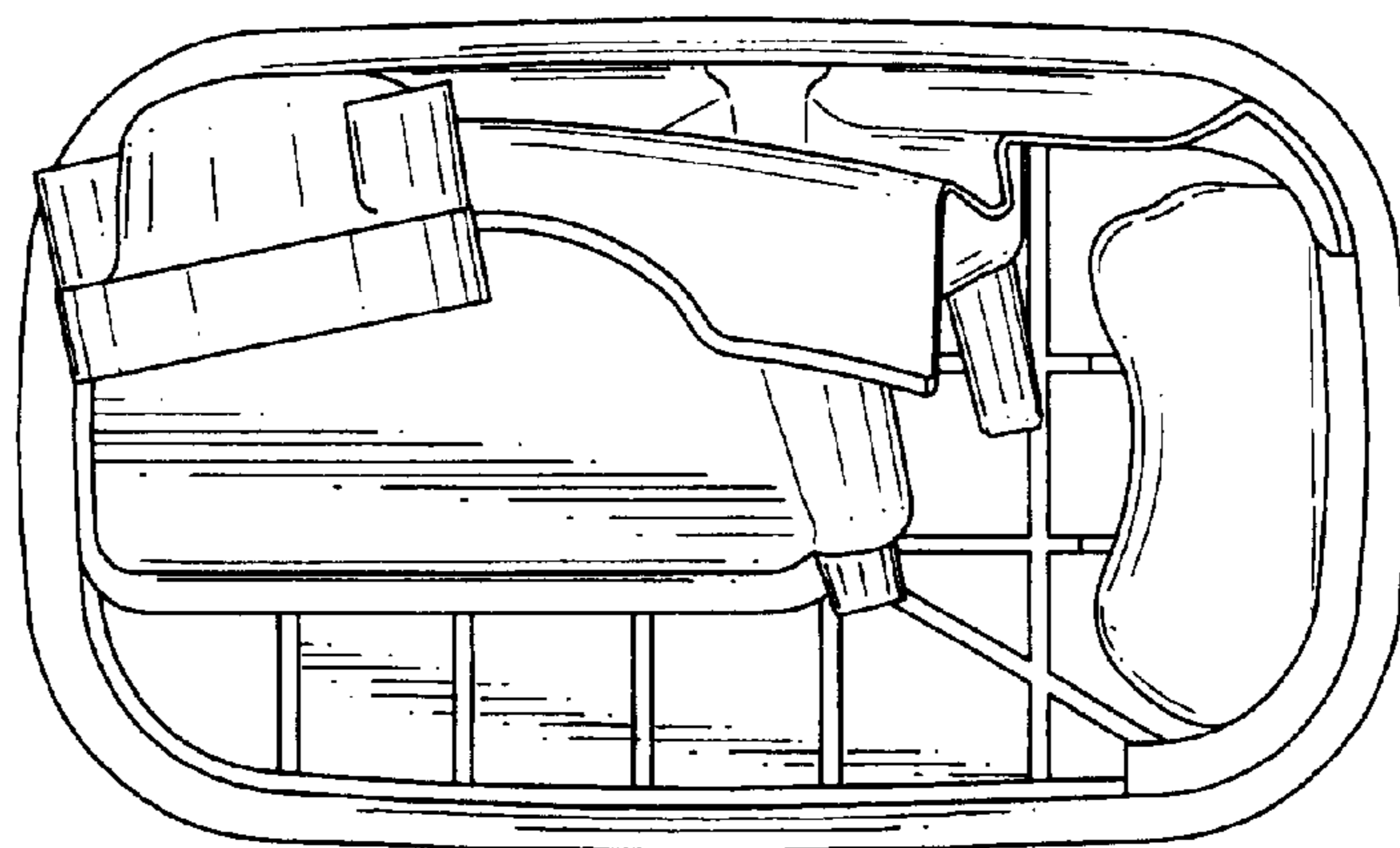


FIG. 5

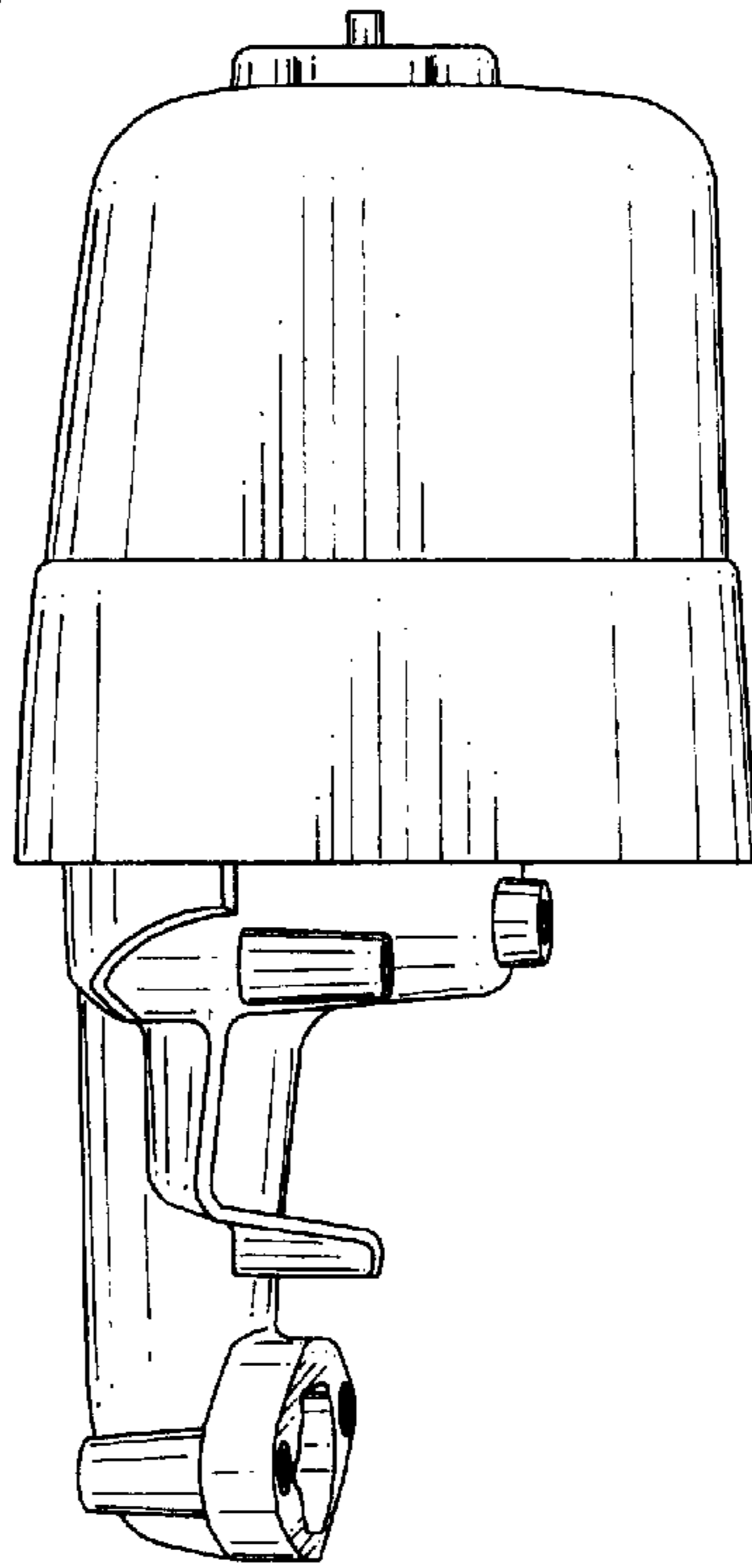


FIG. 6

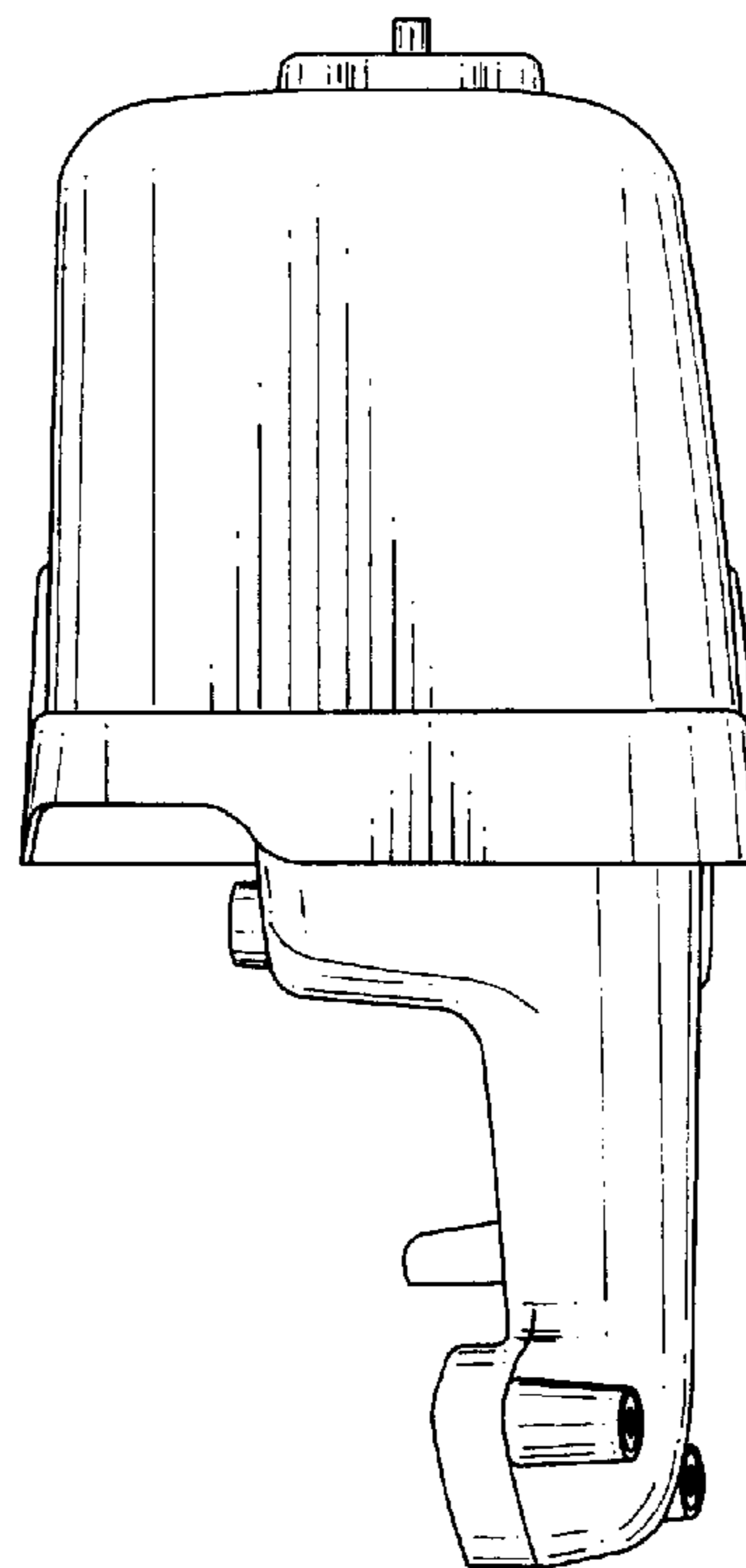
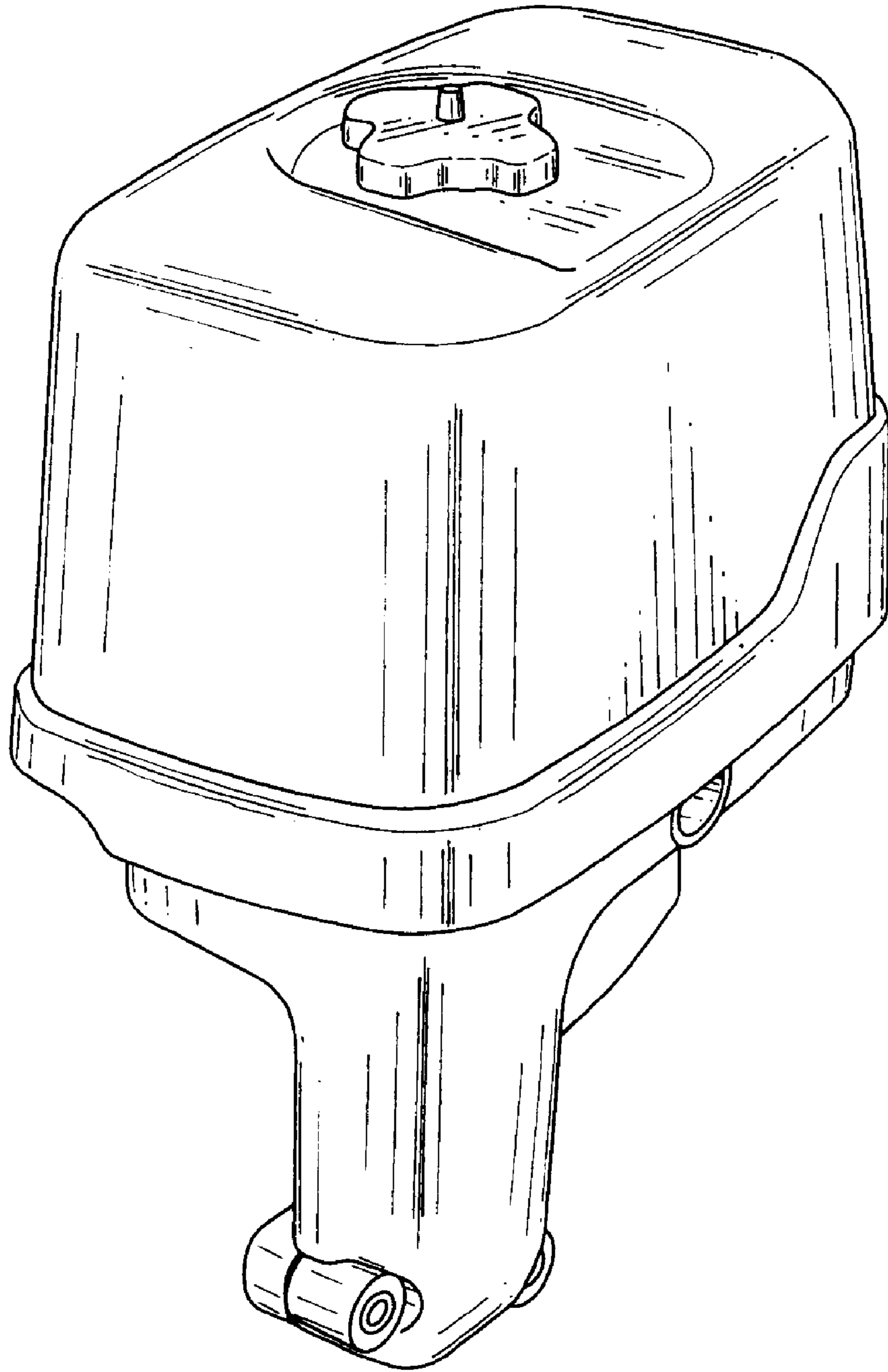


FIG. 7



F I G. 8

