



US00D529501S

(12) **United States Design Patent**
Chen et al.

(10) **Patent No.: US D529,501 S**

(45) **Date of Patent: ** Oct. 3, 2006**

(54) **LCD MONITOR**

(75) Inventors: **Yung-Hsiang Chen**, Miao-Li (TW);
Che-Min Huang, Miao-Li (TW);
Chien-Tung Chu, Miao-Li (TW);
Ming-Chih Huang, Miao-Li (TW)

(73) Assignee: **Innolux Display Corp.**, Miao-Li (TW)

(**) Term: **14 Years**

(21) Appl. No.: **29/243,110**

(22) Filed: **Nov. 18, 2005**

(30) **Foreign Application Priority Data**

Sep. 23, 2005 (TW) 94305714

(51) **LOC (8) Cl.** **14-02**

(52) **U.S. Cl.** **D14/375**

(58) **Field of Classification Search** D14/371-375,
D14/125-129, 356; 248/917-924; 341/12;
345/104, 156, 168, 173, 901-905; 348/180,
348/184, 325, 739; 349/1, 2, 11, 62
See application file for complete search history.

(56) **References Cited**

U.S. PATENT DOCUMENTS

D425,035 S * 5/2000 Kondo et al. D14/375

D428,415 S * 7/2000 Shibata D14/356
D468,311 S * 1/2003 Lee D14/375
D469,091 S * 1/2003 Hasegawa et al. D14/375
D476,335 S * 6/2003 Miao et al. D14/375
D488,139 S * 4/2004 Takami et al. D14/126

* cited by examiner

Primary Examiner—Freda S. Nunn

(74) *Attorney, Agent, or Firm*—Wei Te Chung

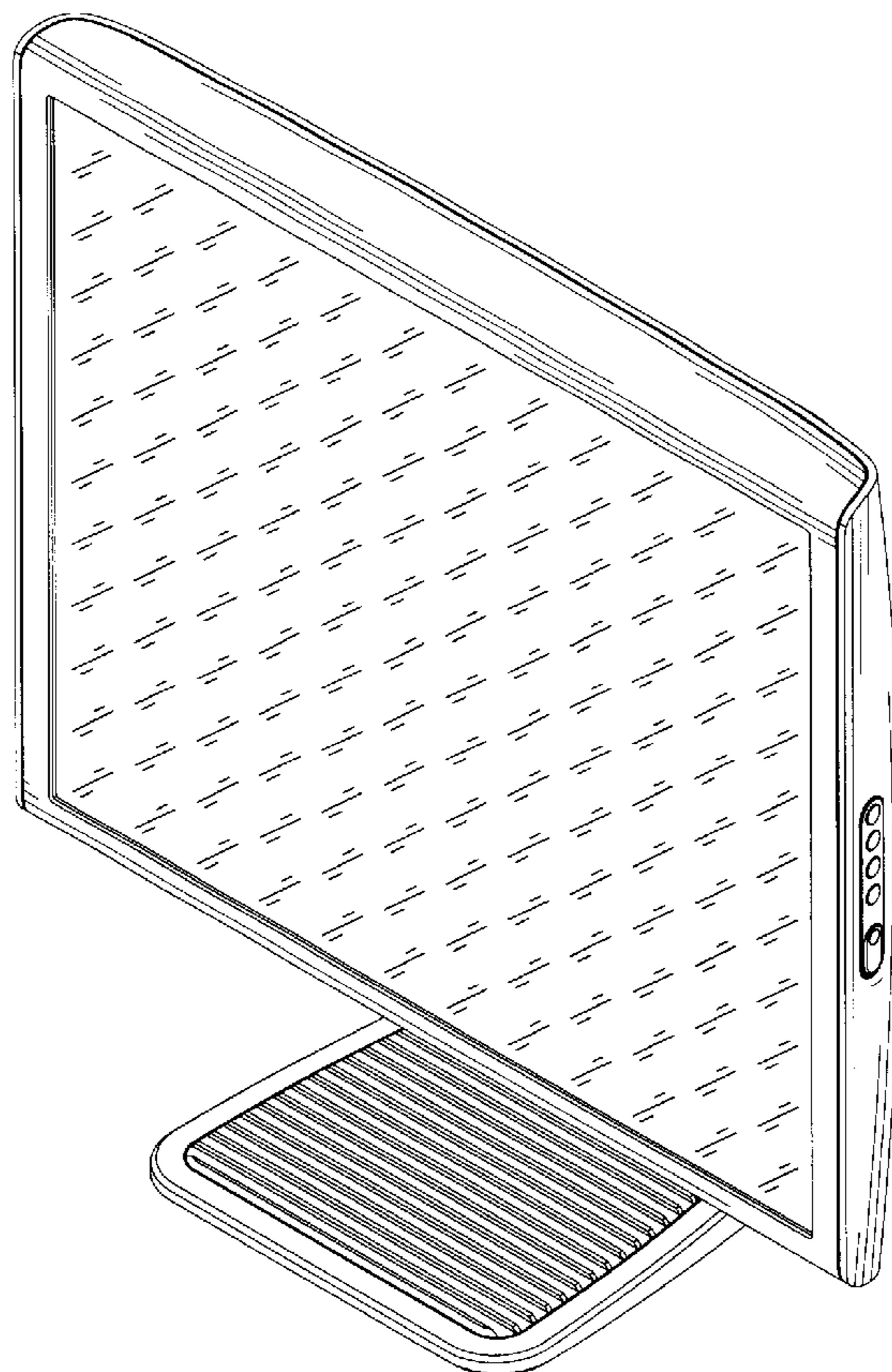
(57) **CLAIM**

The ornamental design for a LCD monitor, as shown and described.

DESCRIPTION

FIG. 1 is a front, top, right-side perspective view of a LCD monitor showing our new design;
FIG. 2 is a front elevational view thereof;
FIG. 3 is a rear elevational view thereof;
FIG. 4 is a left side elevational view thereof;
FIG. 5 is a right side elevational view thereof;
FIG. 6 is a top plan view thereof;
FIG. 7 is a bottom plan view thereof; and,
FIG. 8 is a front, top, right side perspective view in use thereof.

1 Claim, 6 Drawing Sheets



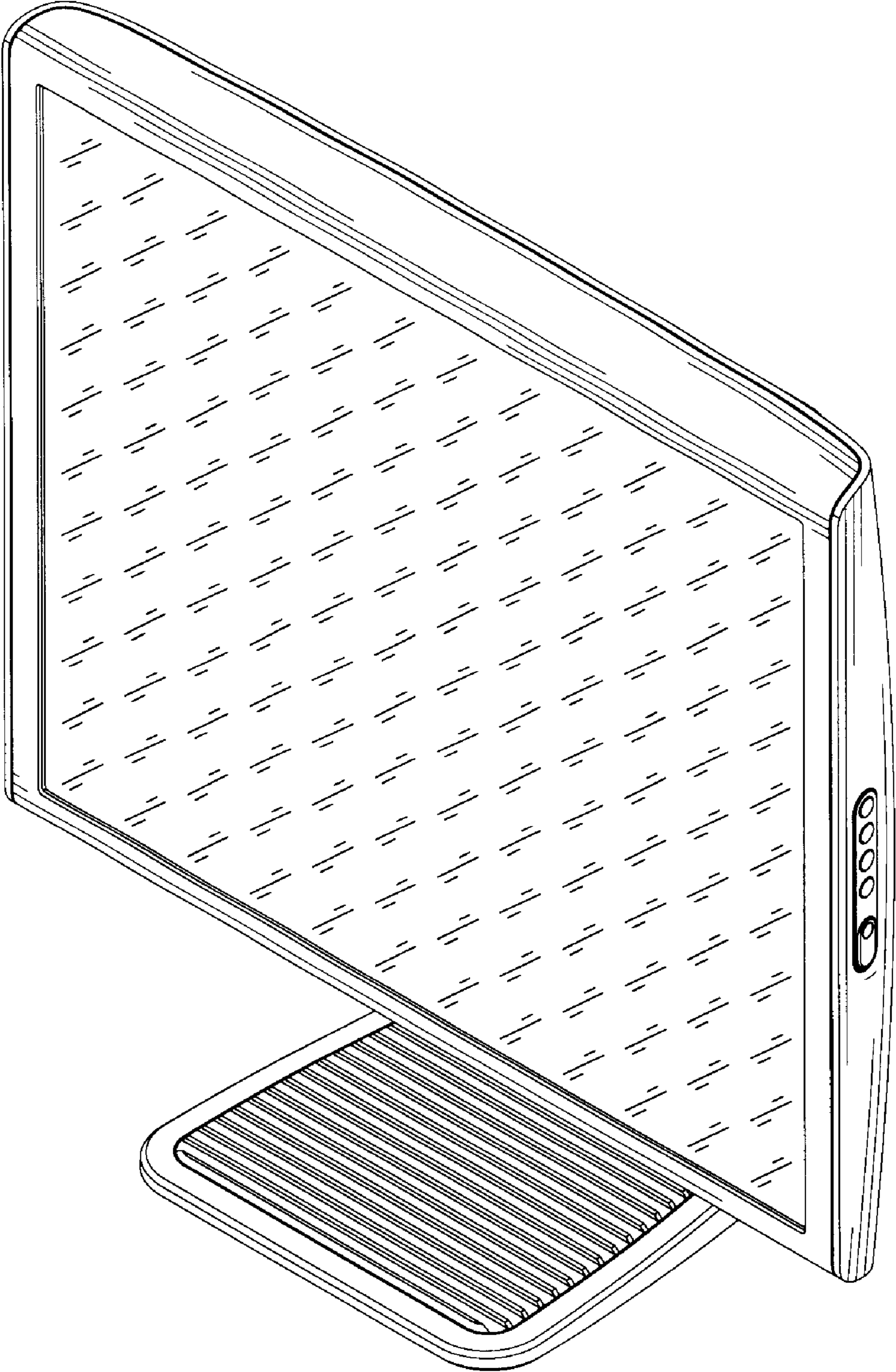


FIG. 1

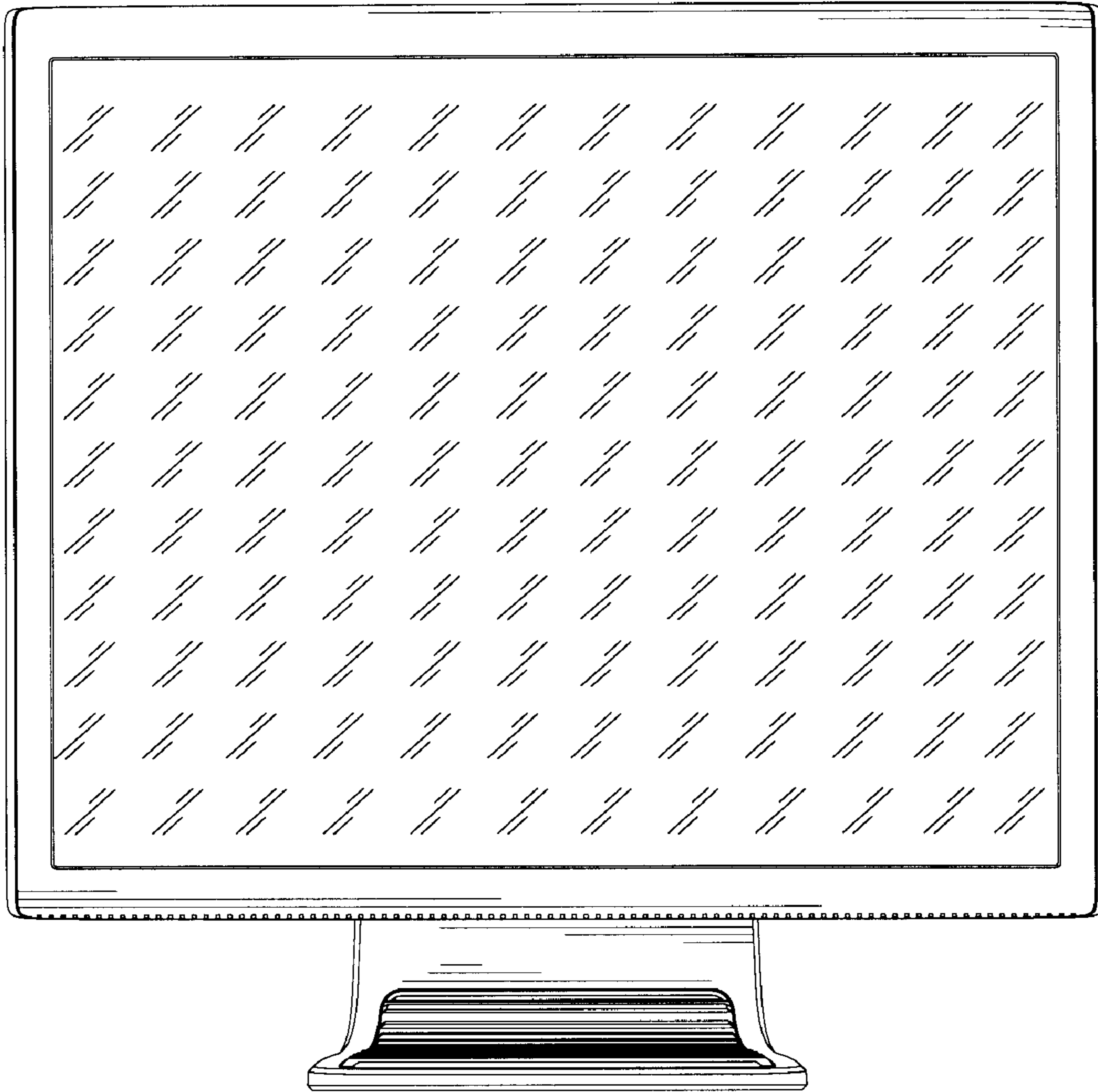


FIG. 2

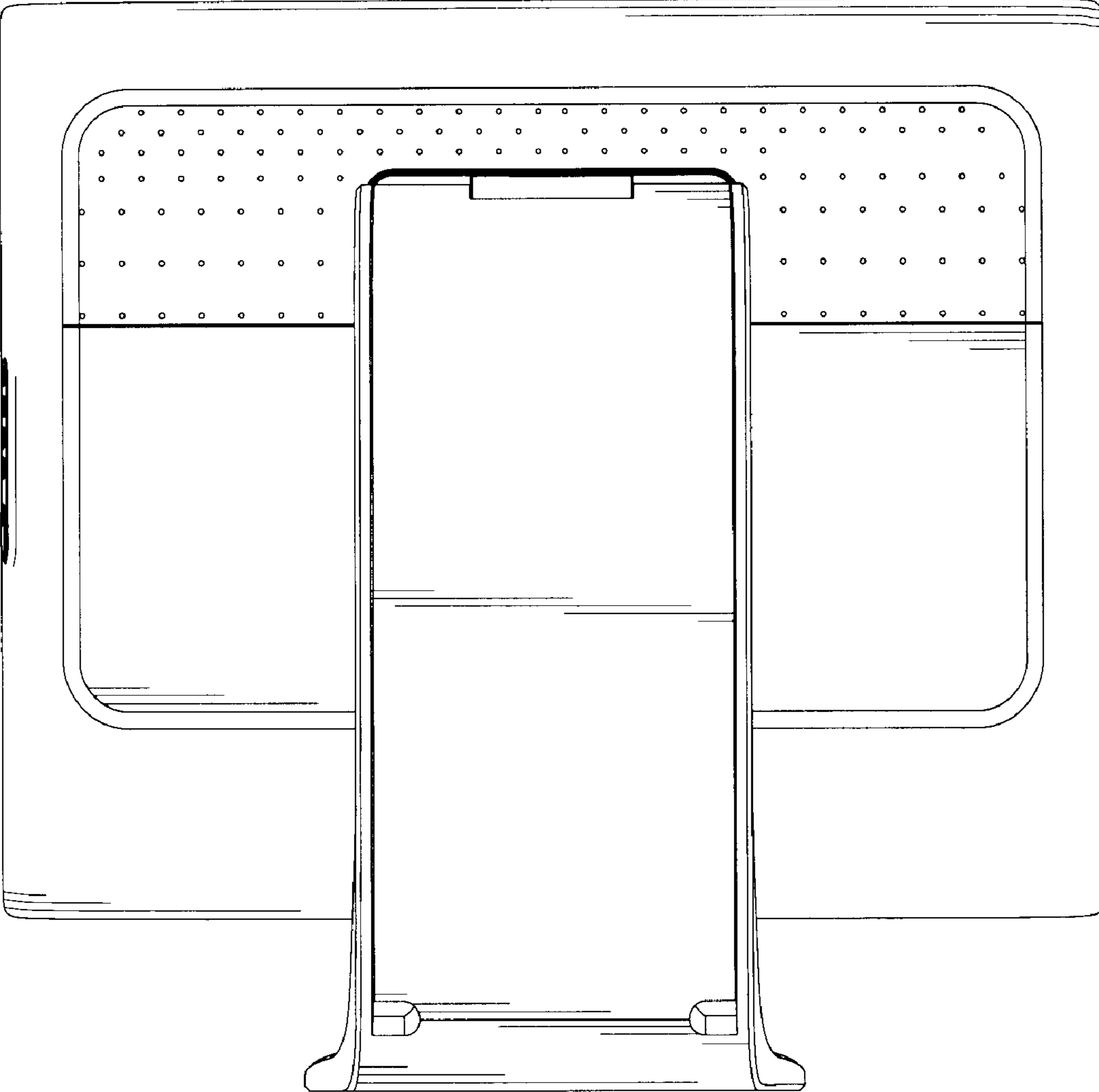


FIG. 3

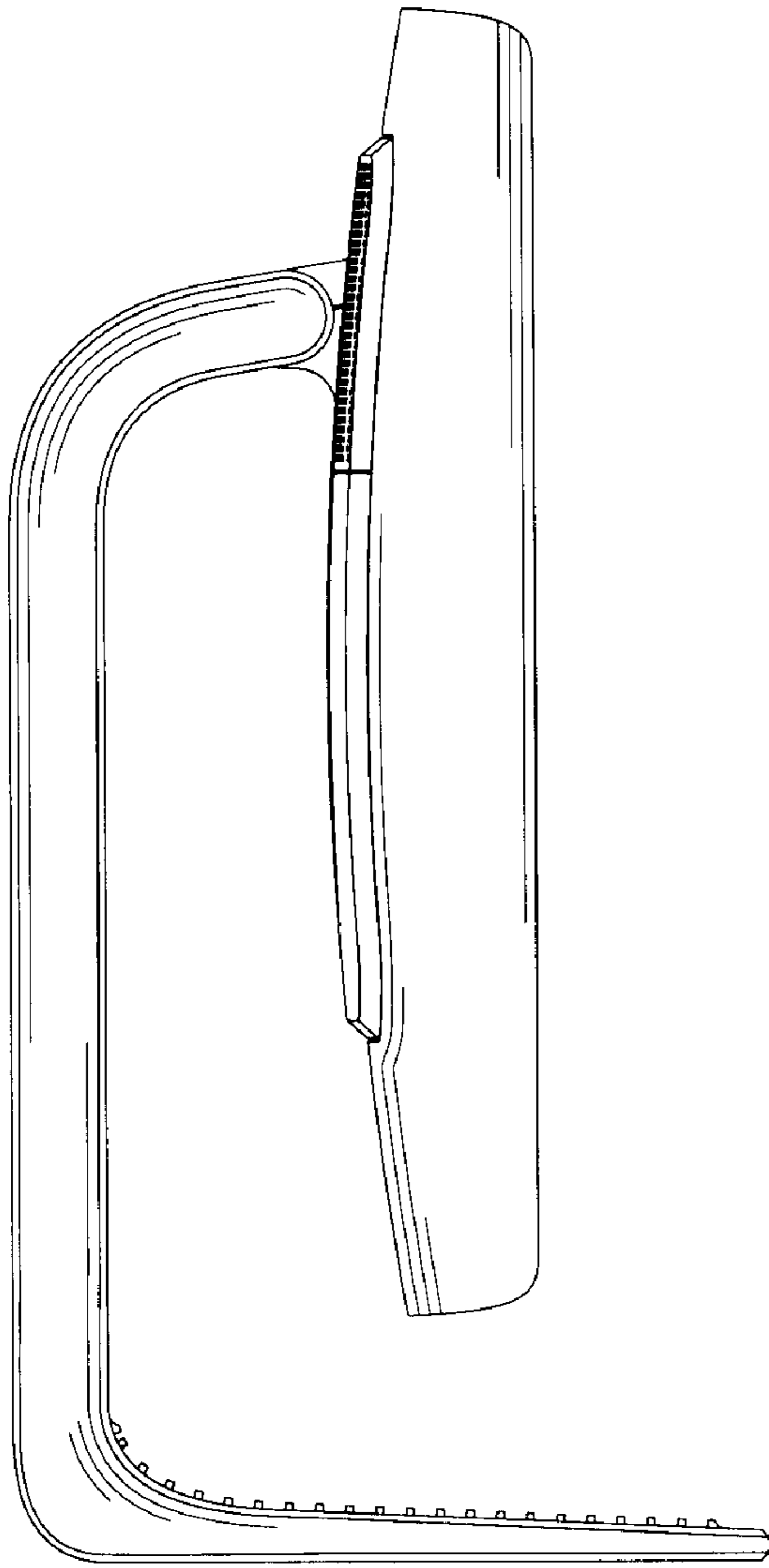


FIG. 4

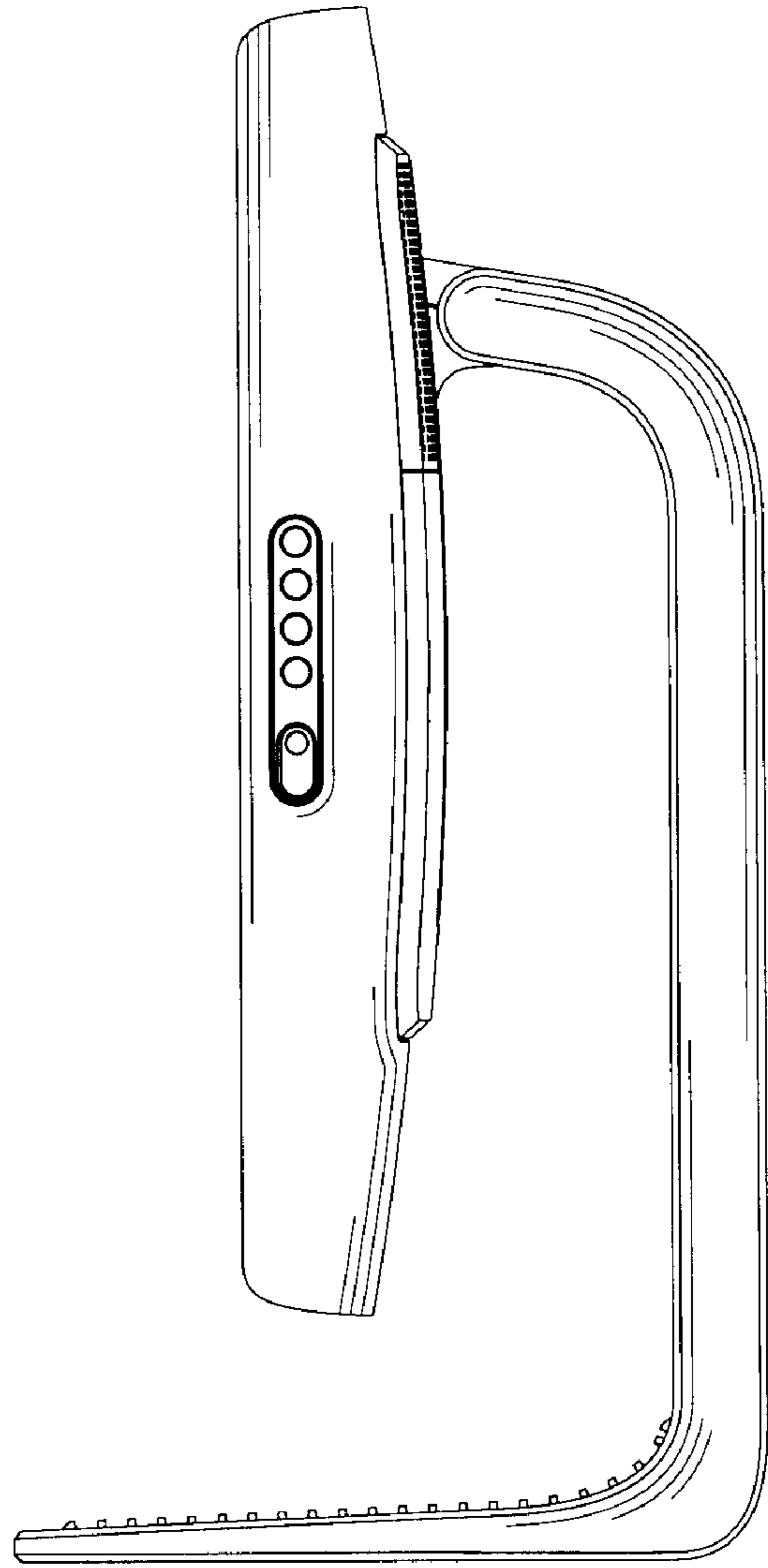


FIG. 5

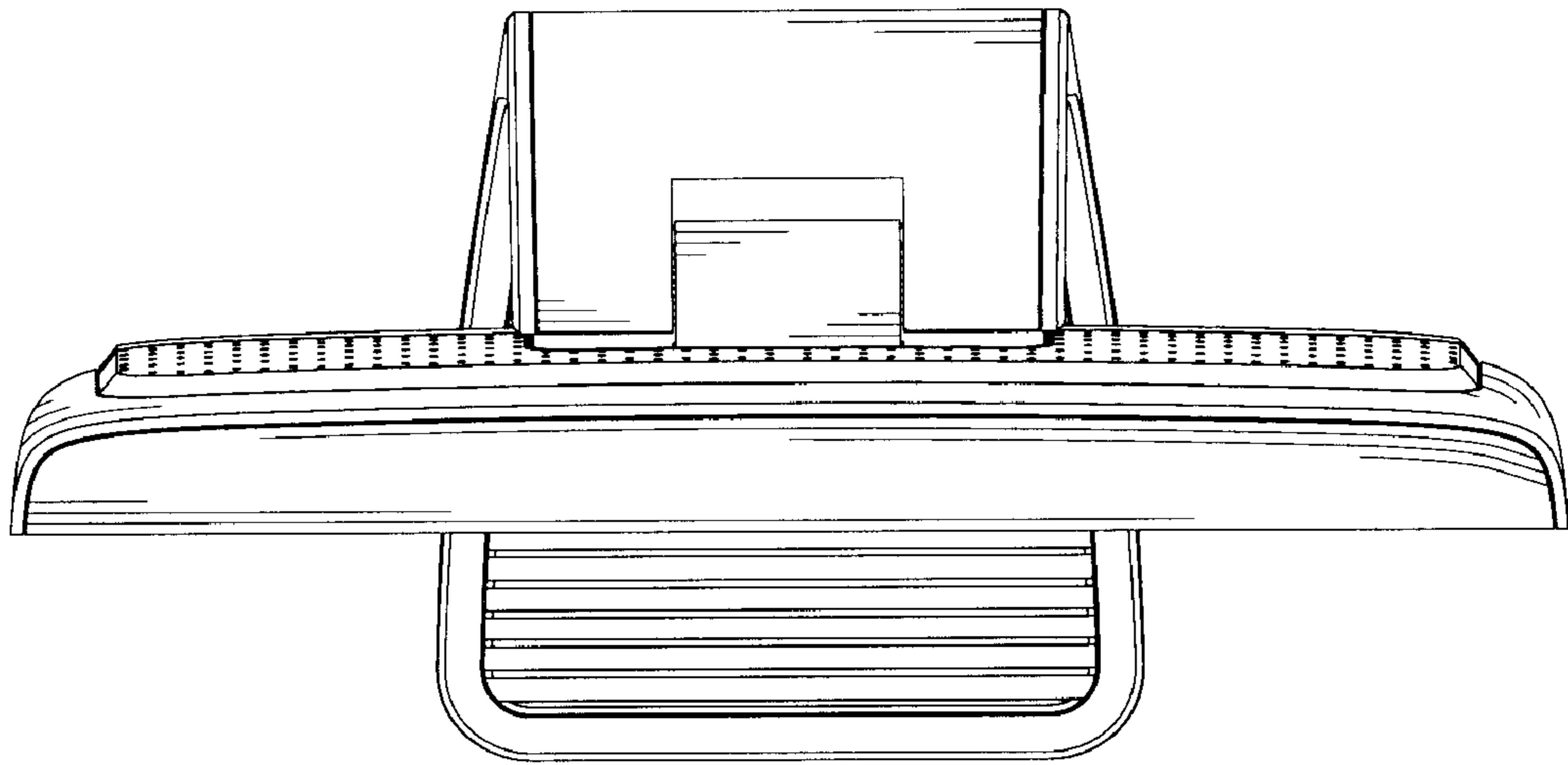


FIG. 6

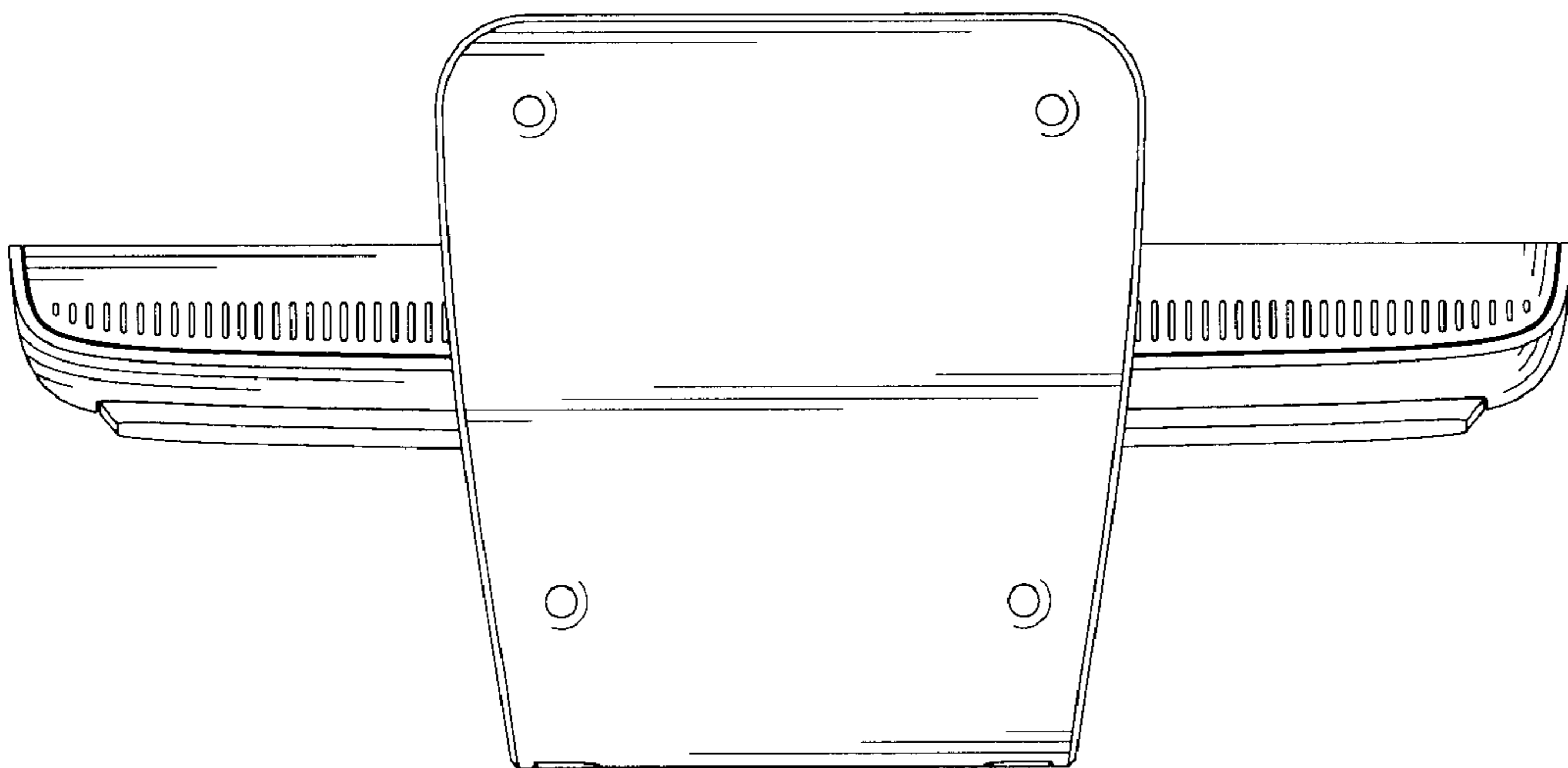


FIG. 7

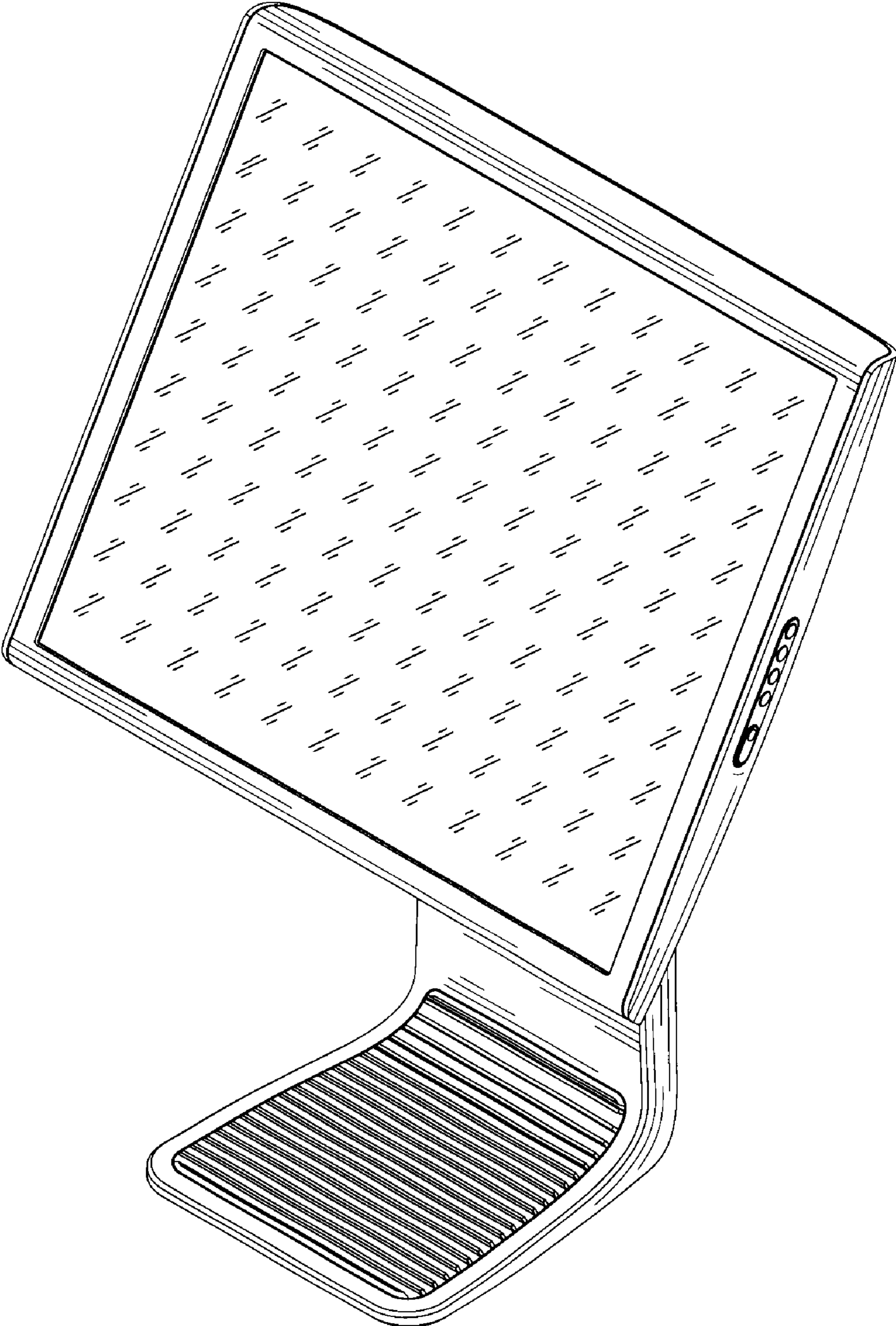


FIG. 8